



US00D725154S

(12) **United States Design Patent**
Anastasia

(10) **Patent No.:** **US D725,154 S**
(45) **Date of Patent:** **** Mar. 24, 2015**

(54) **INFLATION SYSTEM FOR SEALED AIR DEVICES**
(71) Applicant: **Super Sweet Air, Inc.**, Austin, TX (US)
(72) Inventor: **Mark Anastasia**, Orlando, FL (US)
(73) Assignee: **Super Sweet Air, Inc.**, Austin, TX (US)
(**) Term: **14 Years**

D556,217 S * 11/2007 Saunders et al. D15/7
D556,781 S * 12/2007 Saunders et al. D15/7
D558,229 S * 12/2007 Saunders et al. D15/7
D558,795 S * 1/2008 Saunders et al. D15/7
D559,866 S * 1/2008 Saunders et al. D15/7
7,389,629 B2 * 6/2008 Tretina 53/512
D611,503 S * 3/2010 Distler D15/7
D663,746 S * 7/2012 Kwon D15/7
D701,244 S * 3/2014 Oakes D15/7
D701,245 S * 3/2014 Oakes D15/7
8,672,635 B2 * 3/2014 Bleuzen et al. 416/223 A
8,784,066 B2 * 7/2014 Bochiechio et al. 416/241 B
8,794,925 B2 * 8/2014 McCaffrey 416/219 R

(21) Appl. No.: **29/482,035**
(22) Filed: **Feb. 13, 2014**
(51) **LOC (10) Cl.** **15-02**
(52) **U.S. Cl.**
USPC **D15/8**
(58) **Field of Classification Search**
CPC F02M 37/04; F02M 37/14
USPC D15/7-9; D23/231, 232, 225; 417/60,
417/235, 265, 321, 355, 358, 363, 359,
417/410.1, 415-416, 405, 900; 60/408,
60/412; 184/26-37; 415/140-147;
123/495, 509; 137/565.34; 53/432
See application file for complete search history.

* cited by examiner

Primary Examiner — Ralf Seifert

(74) *Attorney, Agent, or Firm* — DuBois, Bryant & Campbell LLP; William D. Wiese

(57) **CLAIM**

The design for an inflation system for sealed air devices, as shown and described.

DESCRIPTION

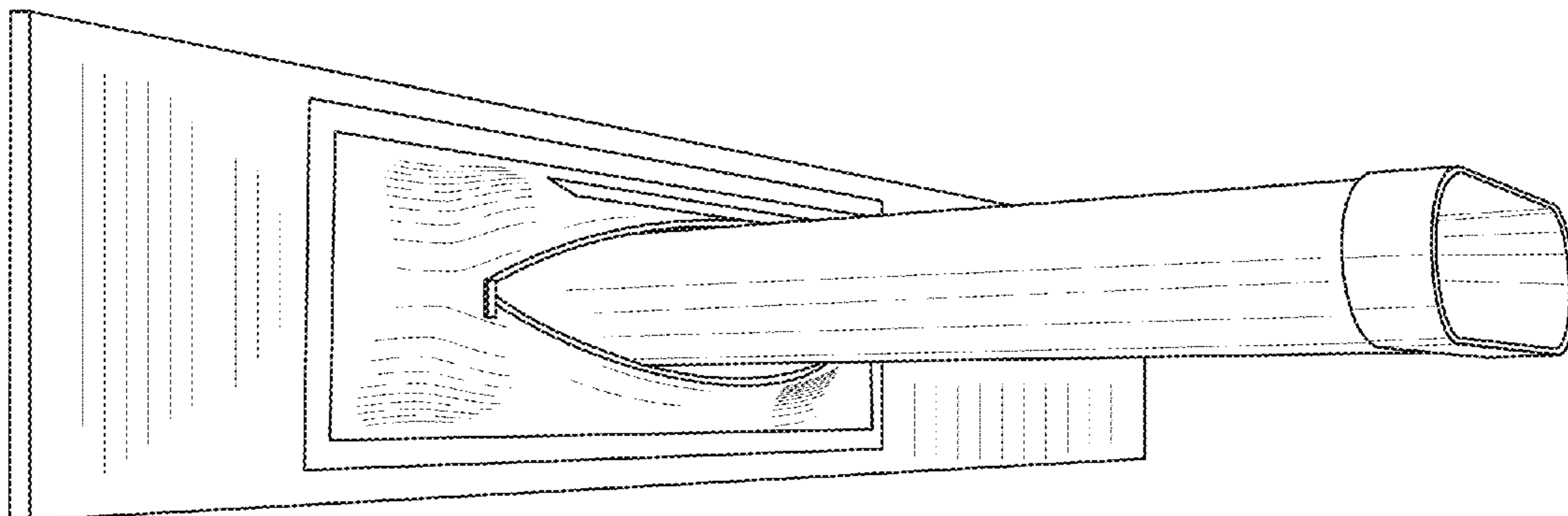
FIG. 1 is a side perspective view showing a sealed air device with the rapid inflation feature;
FIG. 2 is a rear elevation view thereof;
FIG. 3 is a front elevation view thereof;
FIG. 4 is a top plan view thereof;
FIG. 5 is a bottom plan view thereof;
FIG. 6 is a left elevation view thereof;
FIG. 7 is a right elevation view thereof;
FIG. 8 is a side perspective view showing a sealed air device with the rapid inflation feature partially coiled; and,
FIG. 9 is a side perspective view showing a sealed air device with the rapid inflation feature secured behind a closure.

(56) **References Cited**

U.S. PATENT DOCUMENTS

D190,470 S * 6/1961 Prator D15/7
D192,788 S * 5/1962 Prator D15/7
D306,596 S * 3/1990 Maddock D15/7
D361,575 S * 8/1995 Makino D15/7
6,623,413 B1 * 9/2003 Wynne 493/101
D550,717 S * 9/2007 Saunders et al. D15/7
D552,625 S * 10/2007 Saunders et al. D15/7
D556,215 S * 11/2007 Saunders et al. D15/7
D556,216 S * 11/2007 Saunders et al. D15/7

1 Claim, 7 Drawing Sheets



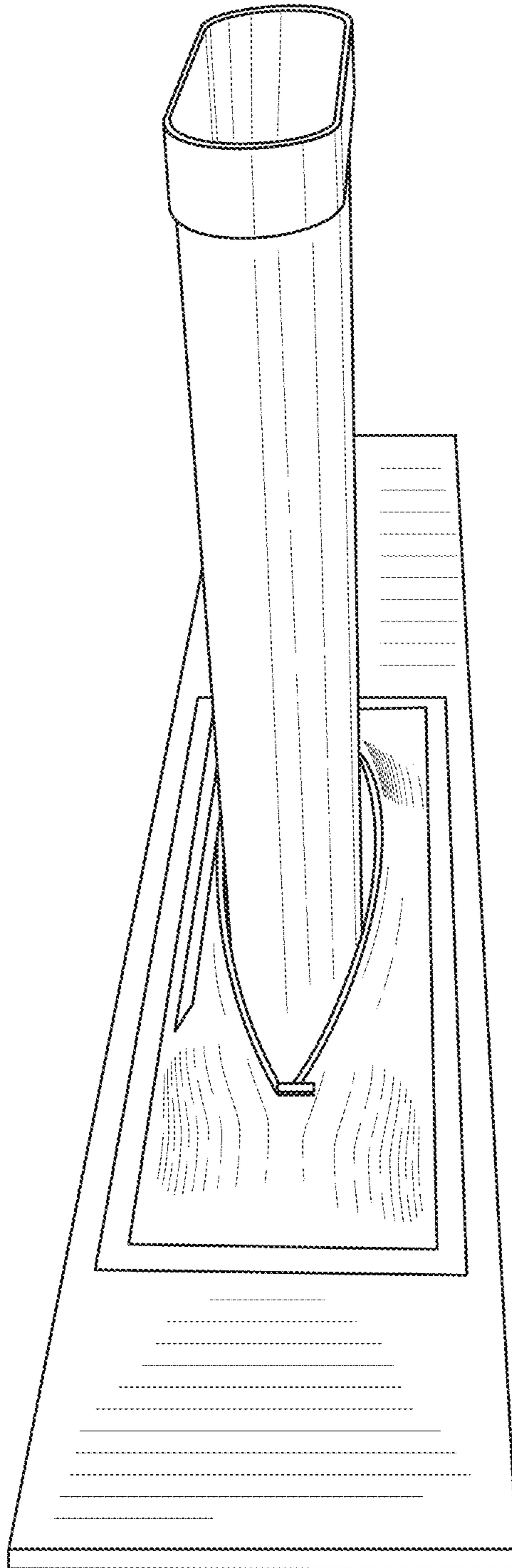


FIG. 1

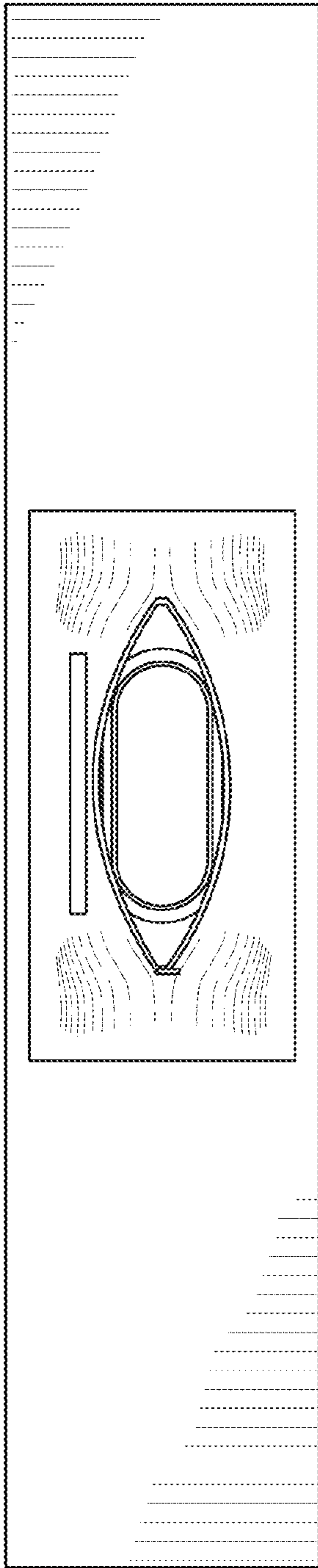


FIG. 2

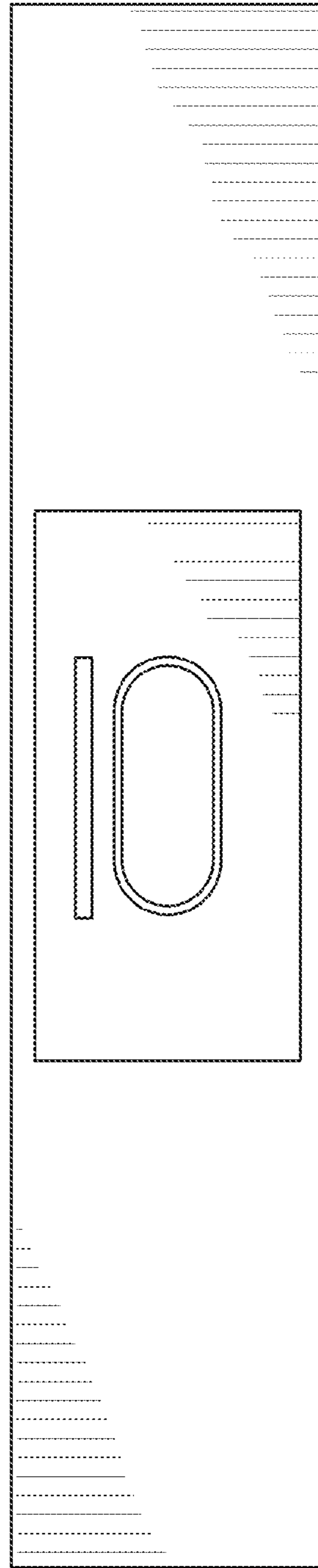


FIG. 3

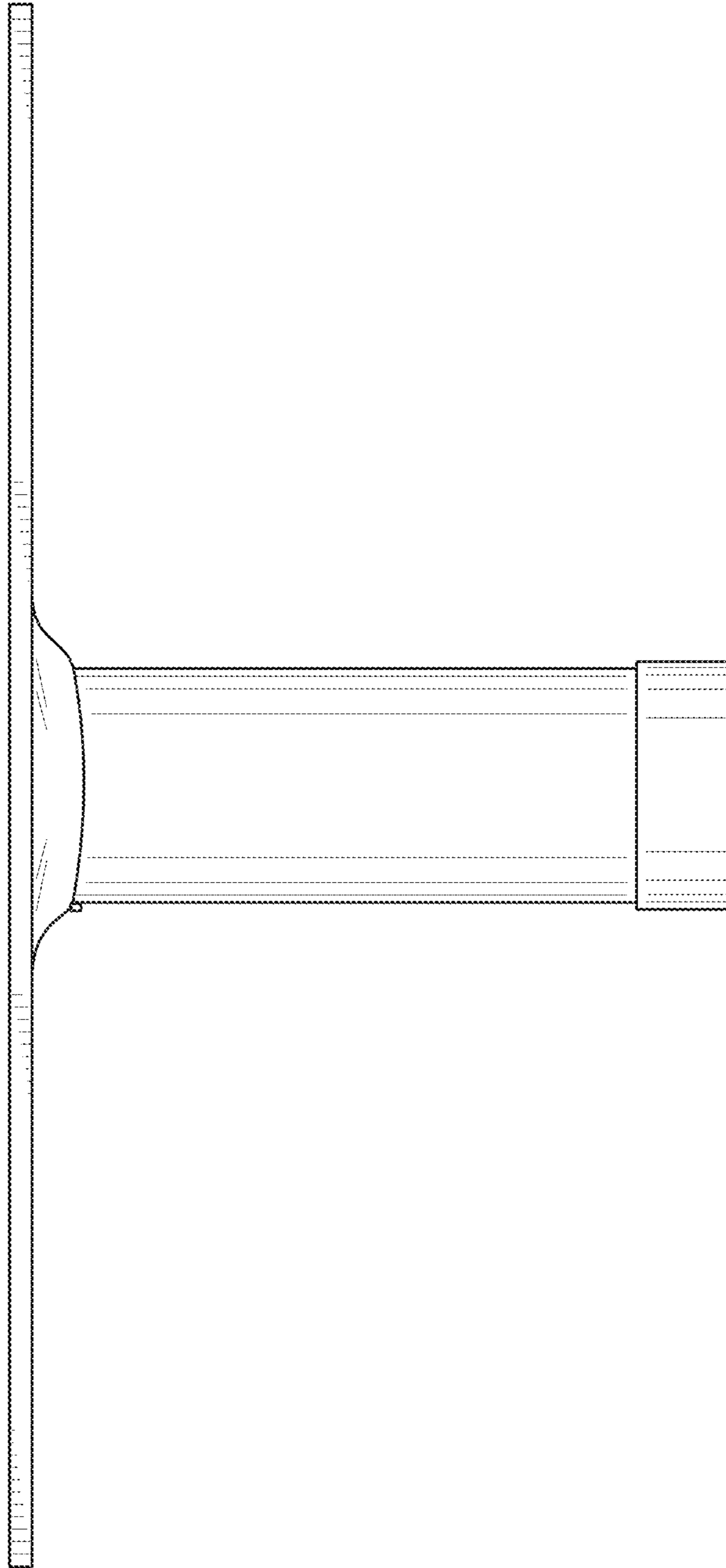


FIG. 4

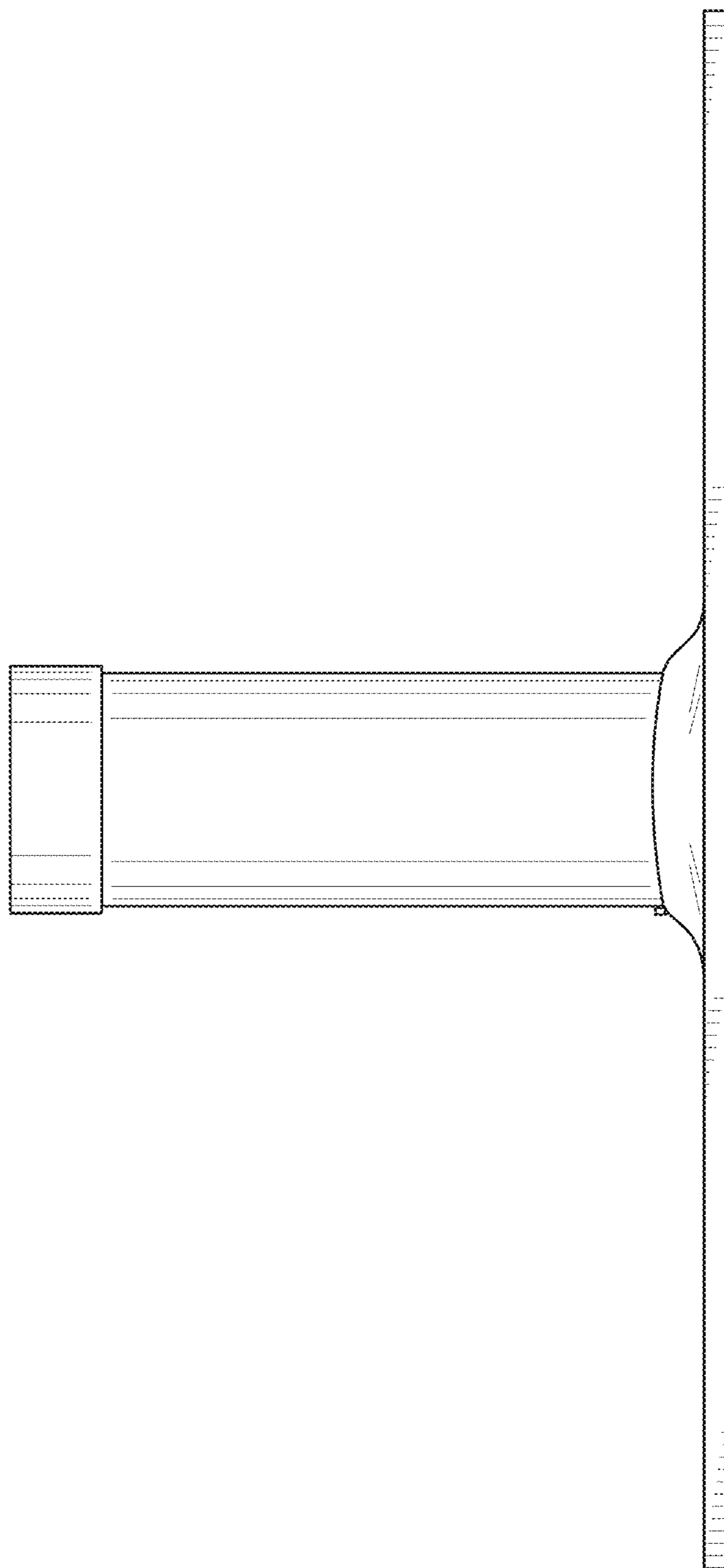


FIG. 5

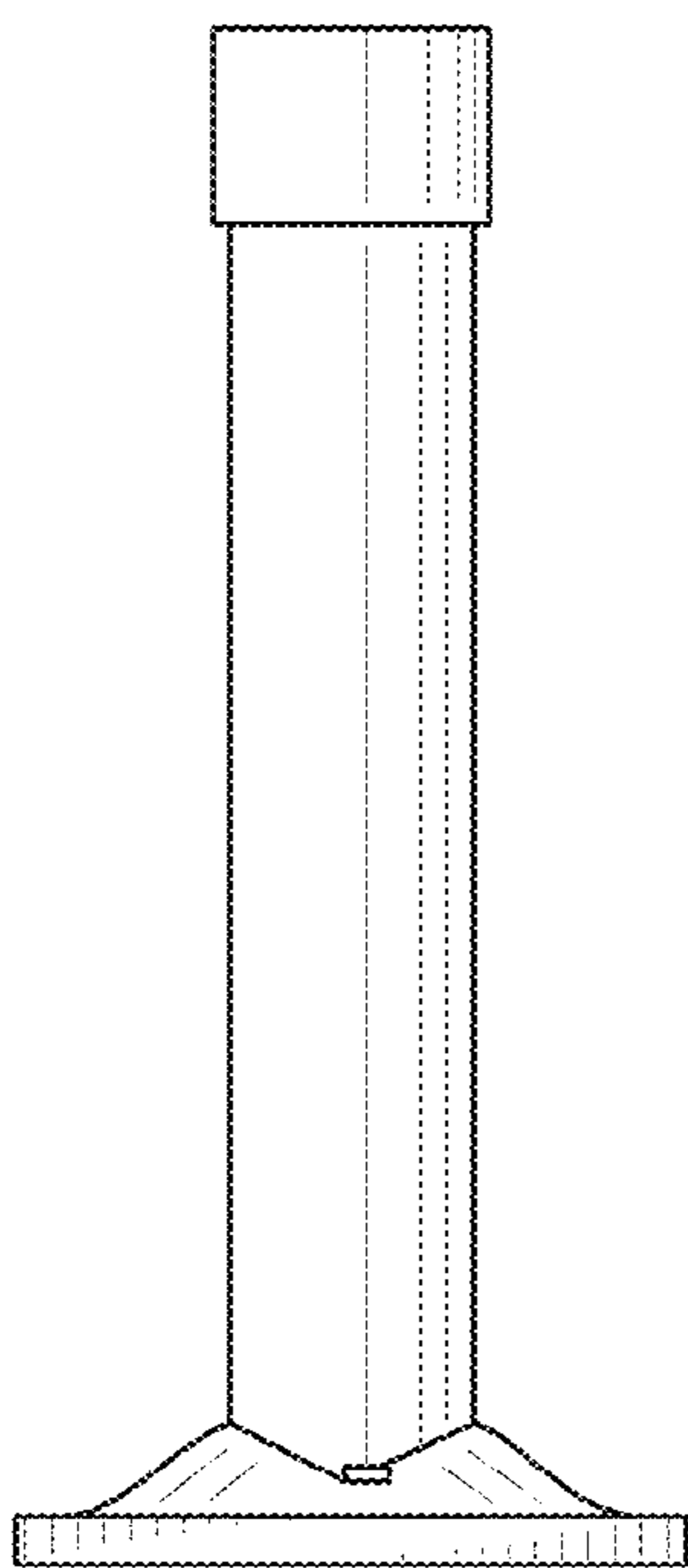


FIG. 6

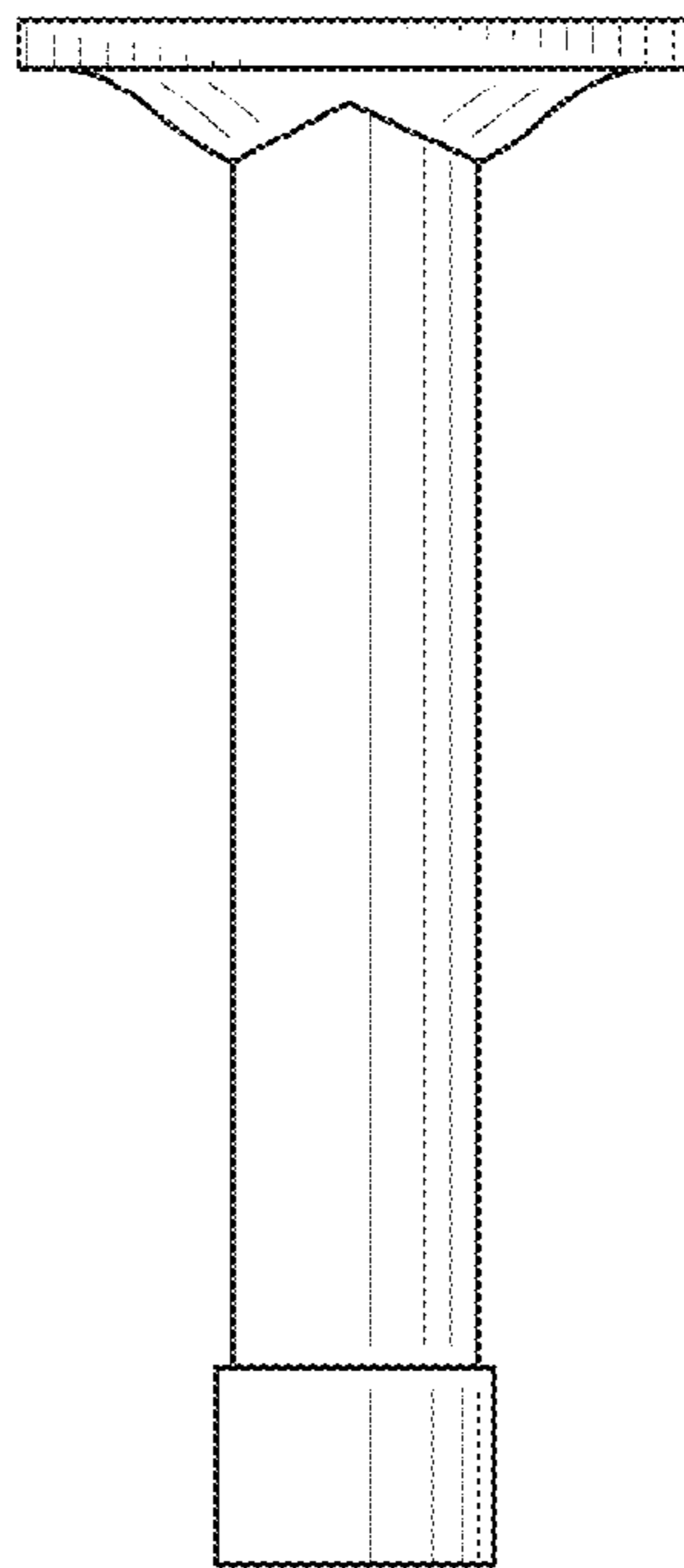


FIG. 7

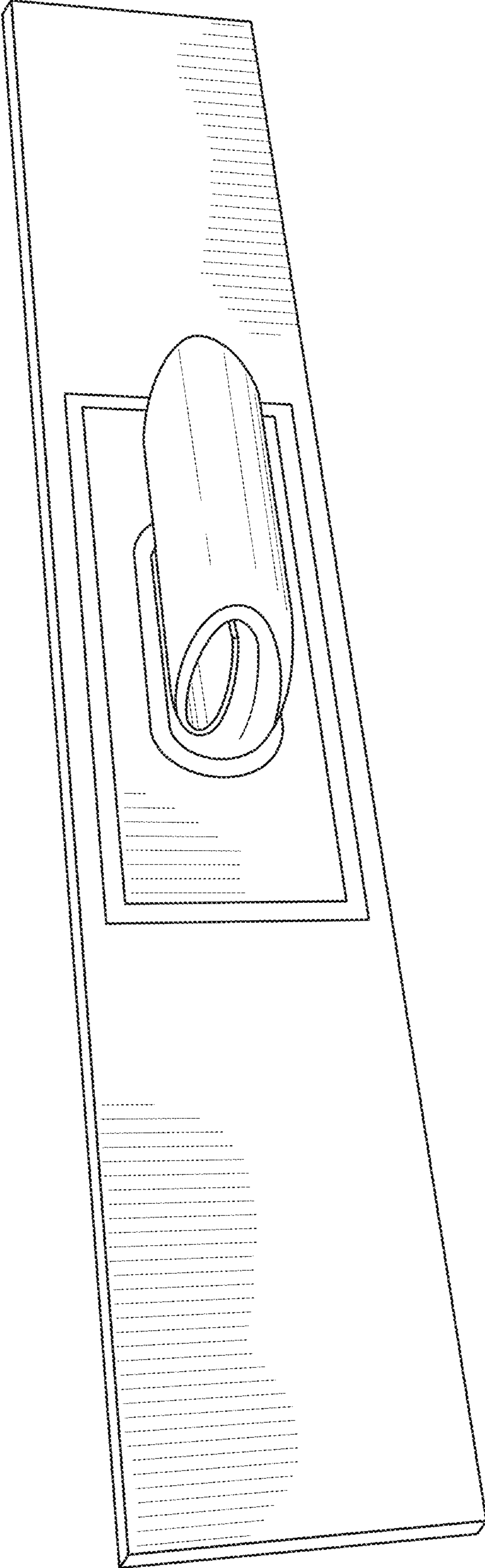


FIG. 8

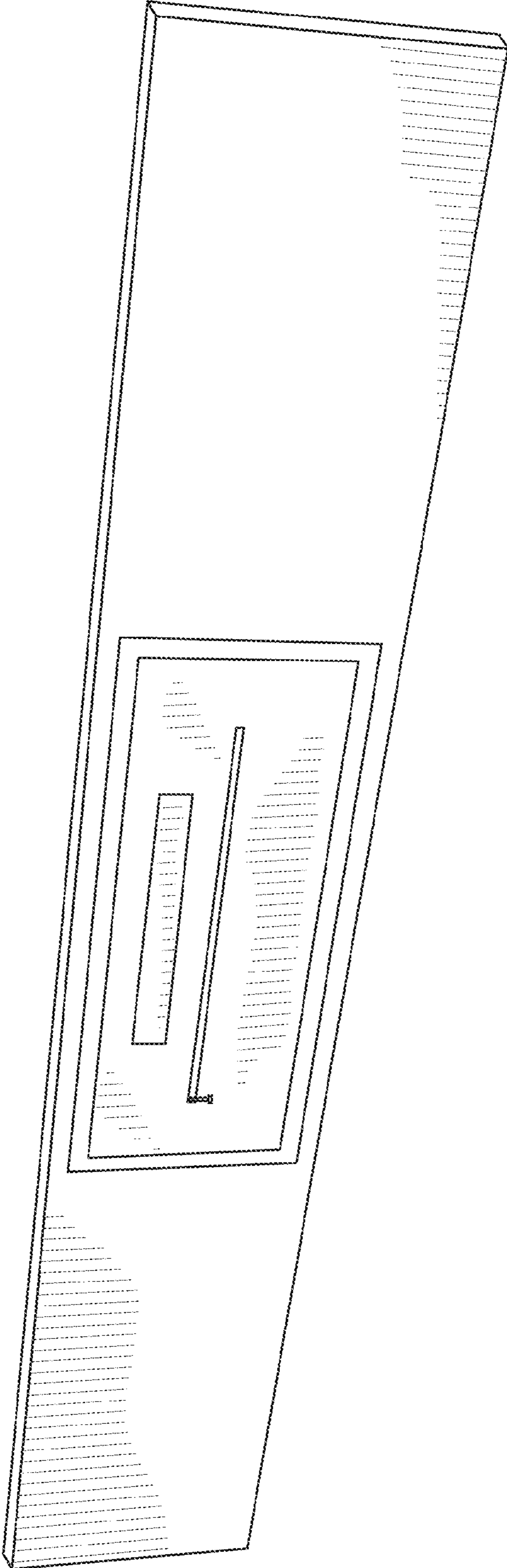


FIG. 9