



US00D725153S

(12) **United States Design Patent**  
**Berry**

(10) **Patent No.:** **US D725,153 S**  
(45) **Date of Patent:** **\*\* Mar. 24, 2015**

(54) **PORTABLE FUEL PUMP DESIGN**  
(71) Applicant: **Tuthill Corporation**, Fort Wayne, IN (US)  
(72) Inventor: **Jacob J. Berry**, Uniondale, IN (US)  
(73) Assignee: **Tuthill Corporation**, Fort Wayne, IN (US)  
(\*\*) Term: **14 Years**

*Primary Examiner* — Ralf Seifert  
(74) *Attorney, Agent, or Firm* — Barnes & Thornburg LLP

(21) Appl. No.: **29/470,065**  
(22) Filed: **Oct. 17, 2013**  
(51) **LOC (10) Cl.** ..... **15-02**  
(52) **U.S. Cl.**  
USPC ..... **D15/7**  
(58) **Field of Classification Search**  
CPC ..... F04B 53/16  
USPC ..... D15/7-9; D23/231, 232, 225; 417/60,  
417/235, 265, 321, 355, 358, 363, 359,  
417/410.1, 415-416, 405, 900; 60/408,  
60/412; 415/140-147  
See application file for complete search history.

(57) **CLAIM**  
What is claimed is the design of a portable fuel pump, as shown and described.

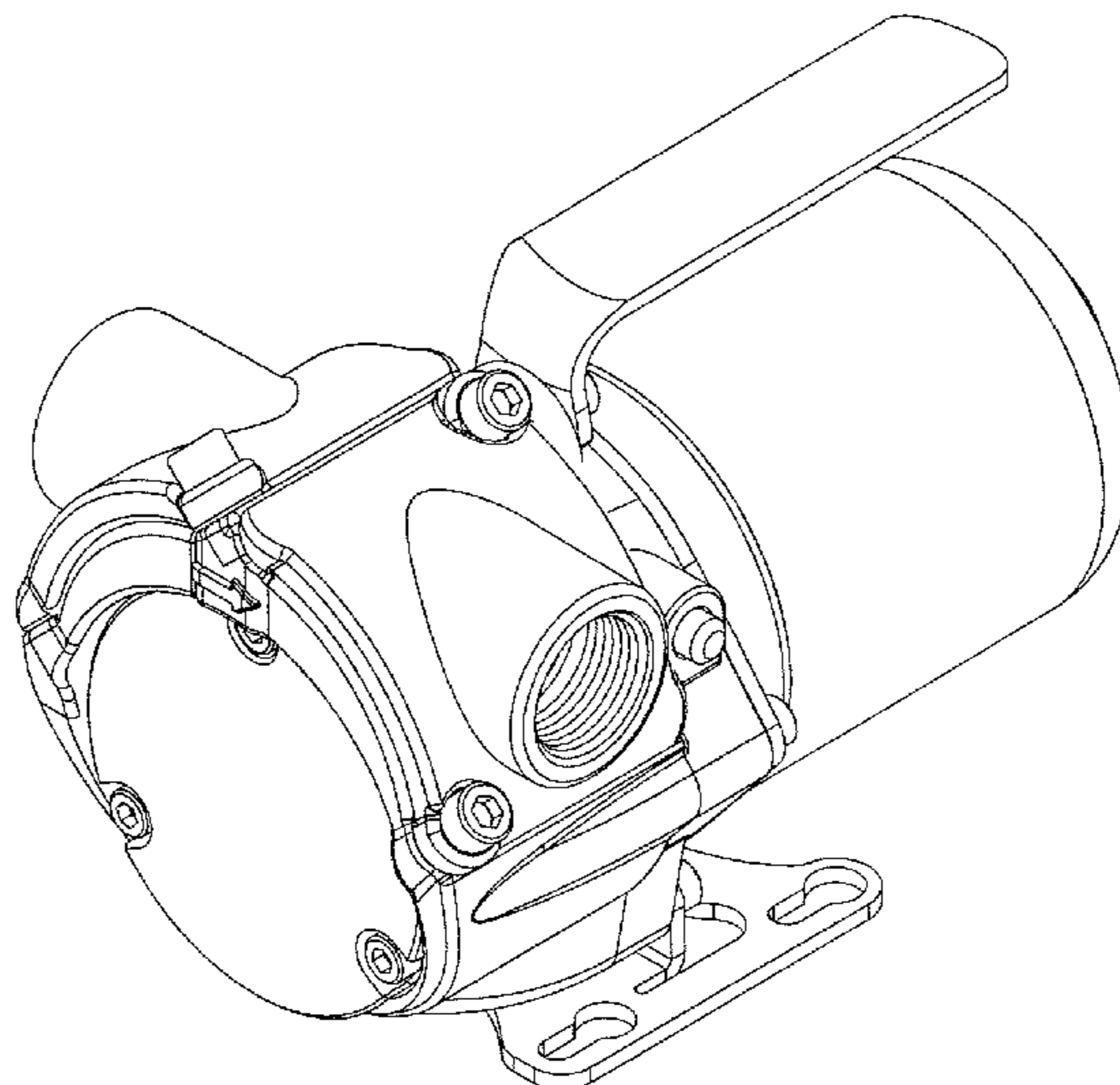
**DESCRIPTION**

FIG. 1 is a top right-hand perspective view of a portable fuel pump;  
FIG. 2 is a top left-hand perspective view of the portable fuel pump;  
FIG. 3 is a top rear perspective view of the right-hand side of the portable fuel pump;  
FIG. 4 is a top rear perspective view of the left-hand sides of the portable fuel pump;  
FIG. 5 is an underside, front, right-hand perspective view of the portable fuel pump;  
FIG. 6 is an underside, front, left-hand perspective view of the portable fuel pump;  
FIG. 7 is a top view of the portable fuel pump;  
FIG. 8 is an underside view of the portable fuel pump;  
FIG. 9 is the left-hand elevation view of the portable fuel pump;  
FIG. 10 is the front elevation view of the portable fuel pump;  
FIG. 11 is the right-hand elevation view of the portable fuel pump;  
FIG. 12 is the rear elevation view of the portable fuel pump;  
and,  
FIG. 13 is a top right-hand perspective view of a portable fuel pump showing a second embodiment of my new design.  
The broken lines in FIGS. 9 and 11 are included for the purpose of illustrating portions of the portable fuel pump that form no part of the claimed design.

(56) **References Cited**  
U.S. PATENT DOCUMENTS  
D372,719 S \* 8/1996 Jensen ..... D15/7  
D573,607 S \* 7/2008 Bulter ..... D15/7  
D603,870 S \* 11/2009 Mehnert et al. .... D15/7  
D629,423 S \* 12/2010 Varini ..... D15/7  
D650,813 S \* 12/2011 Varini ..... D15/7  
D656,518 S \* 3/2012 Varini ..... D15/7  
D657,800 S \* 4/2012 Villagomez et al. .... D15/7  
D680,134 S \* 4/2013 Fordyce et al. .... D15/7  
D684,197 S \* 6/2013 Kienzle et al. .... D15/9  
D695,318 S \* 12/2013 Link et al. .... D15/9  
D696,300 S \* 12/2013 Arotzarena et al. .... D15/7

\* cited by examiner

**1 Claim, 13 Drawing Sheets**



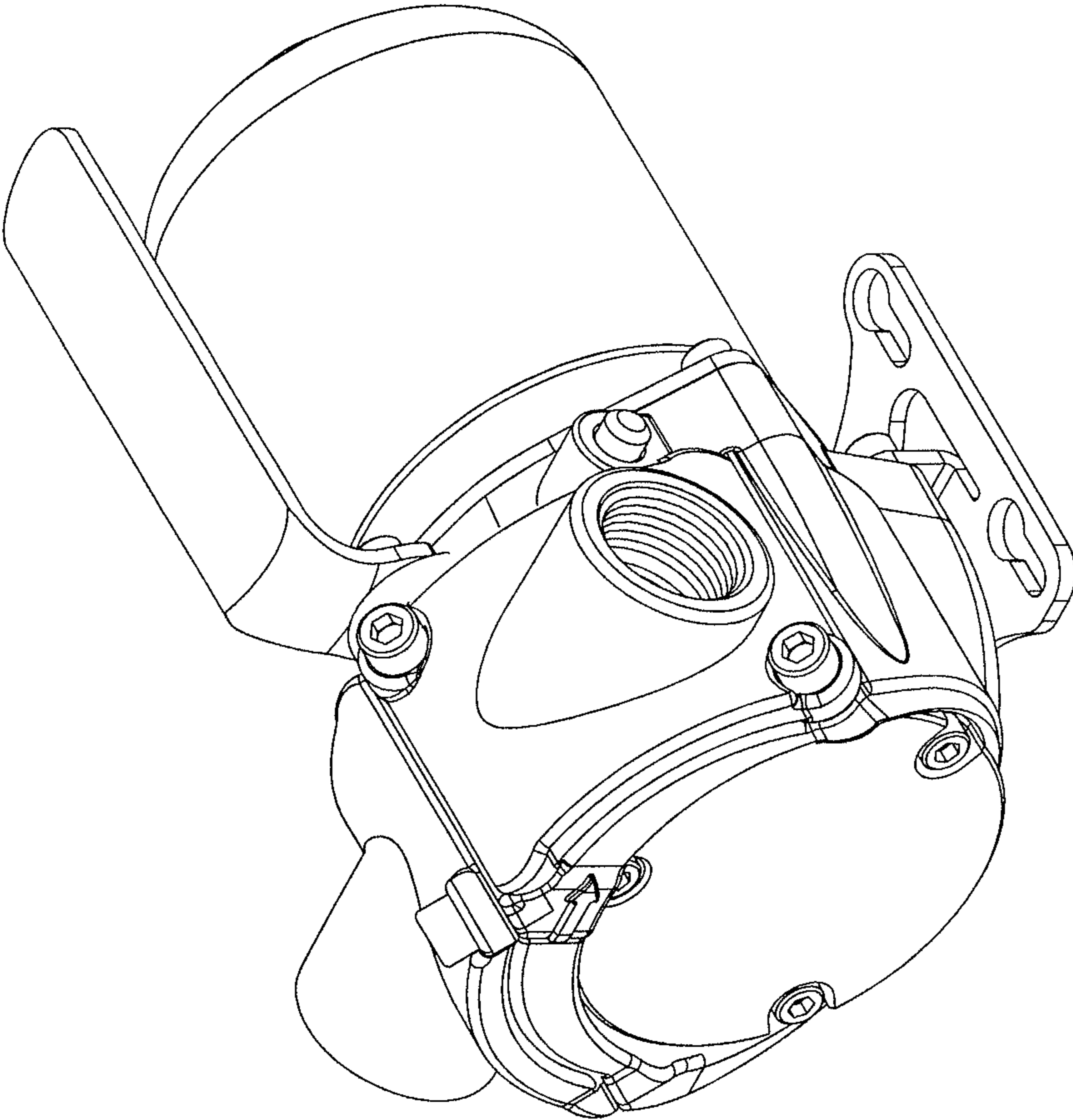


FIG. 1



FIG. 2

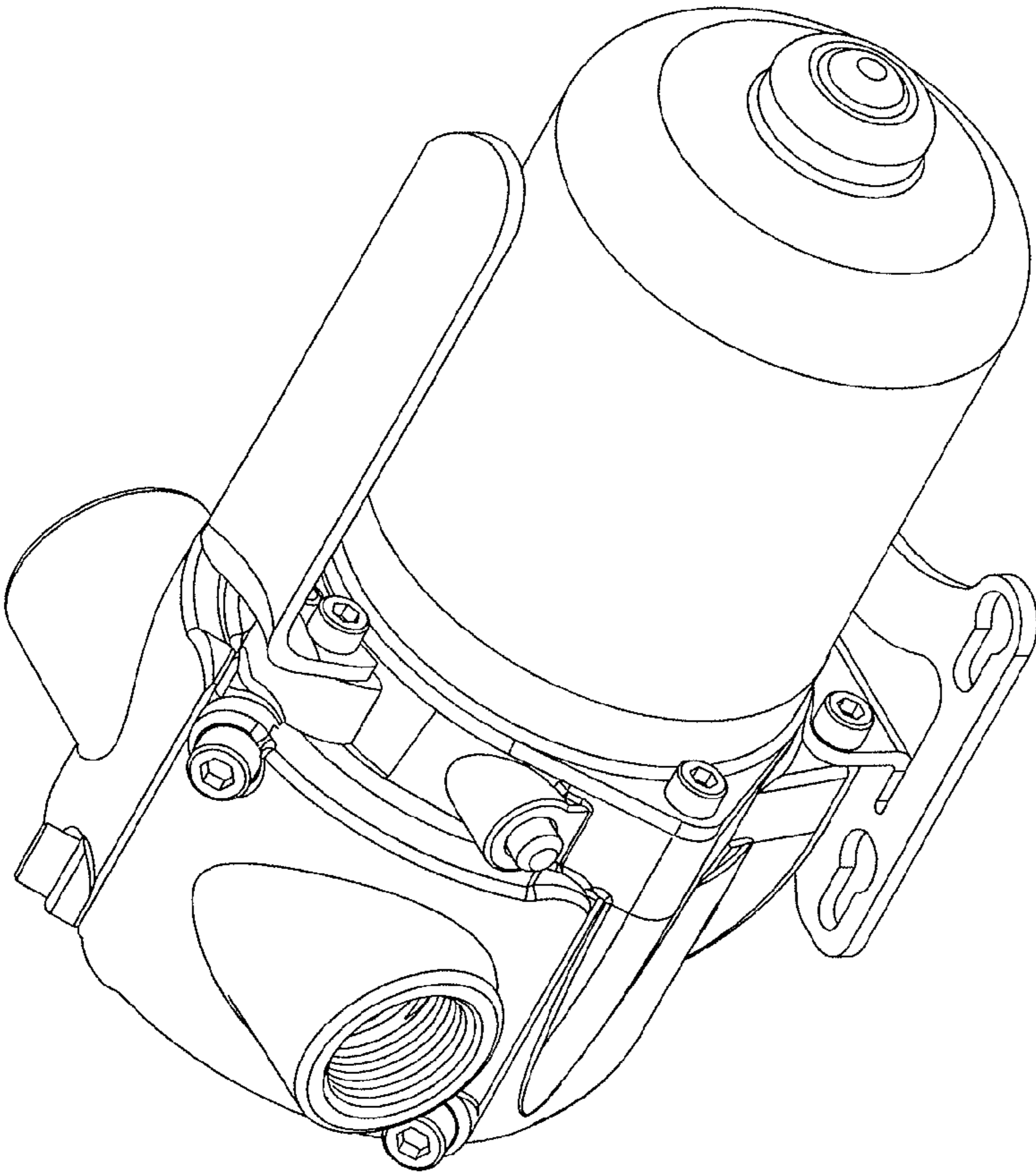


FIG. 3

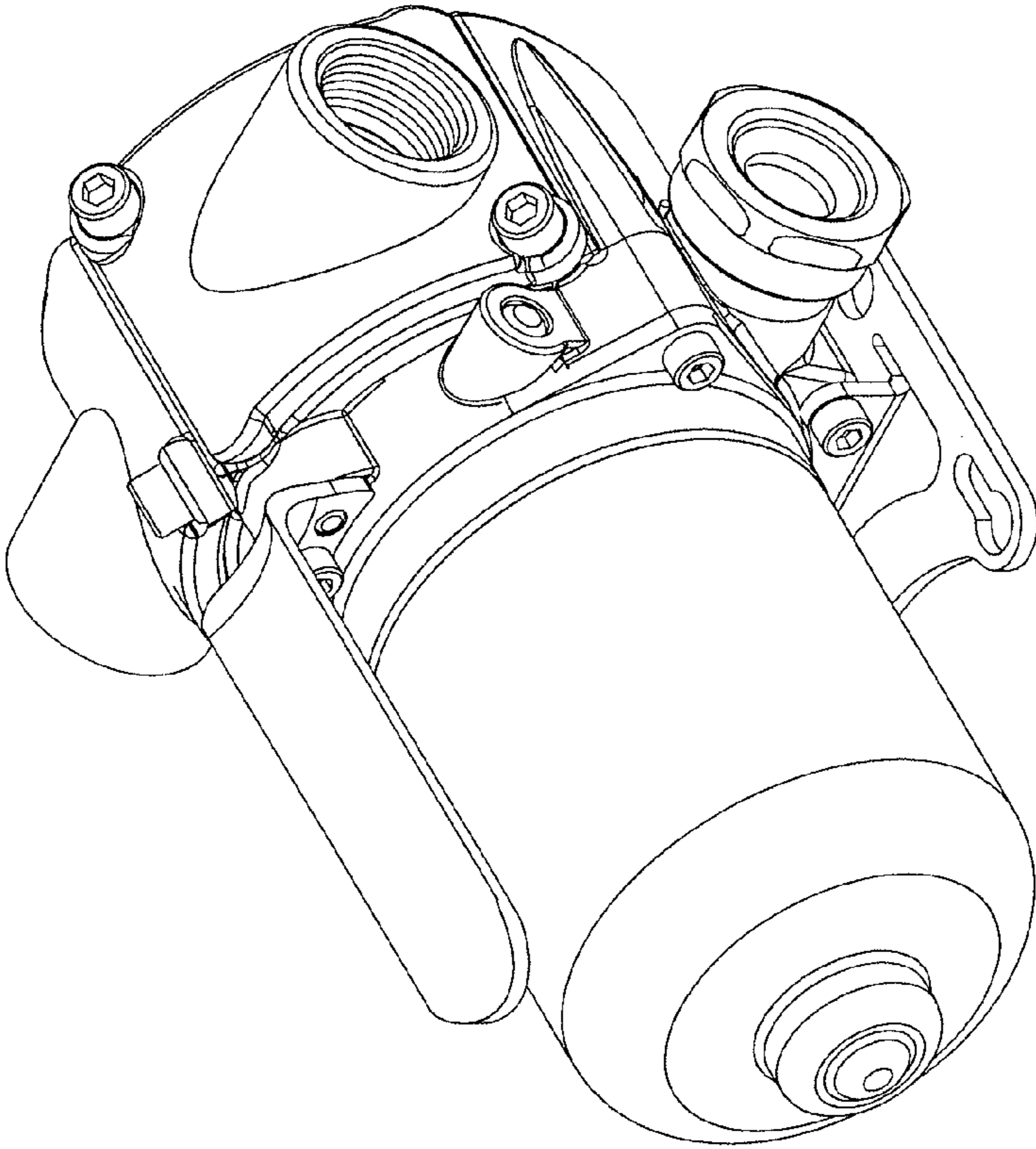


FIG. 4

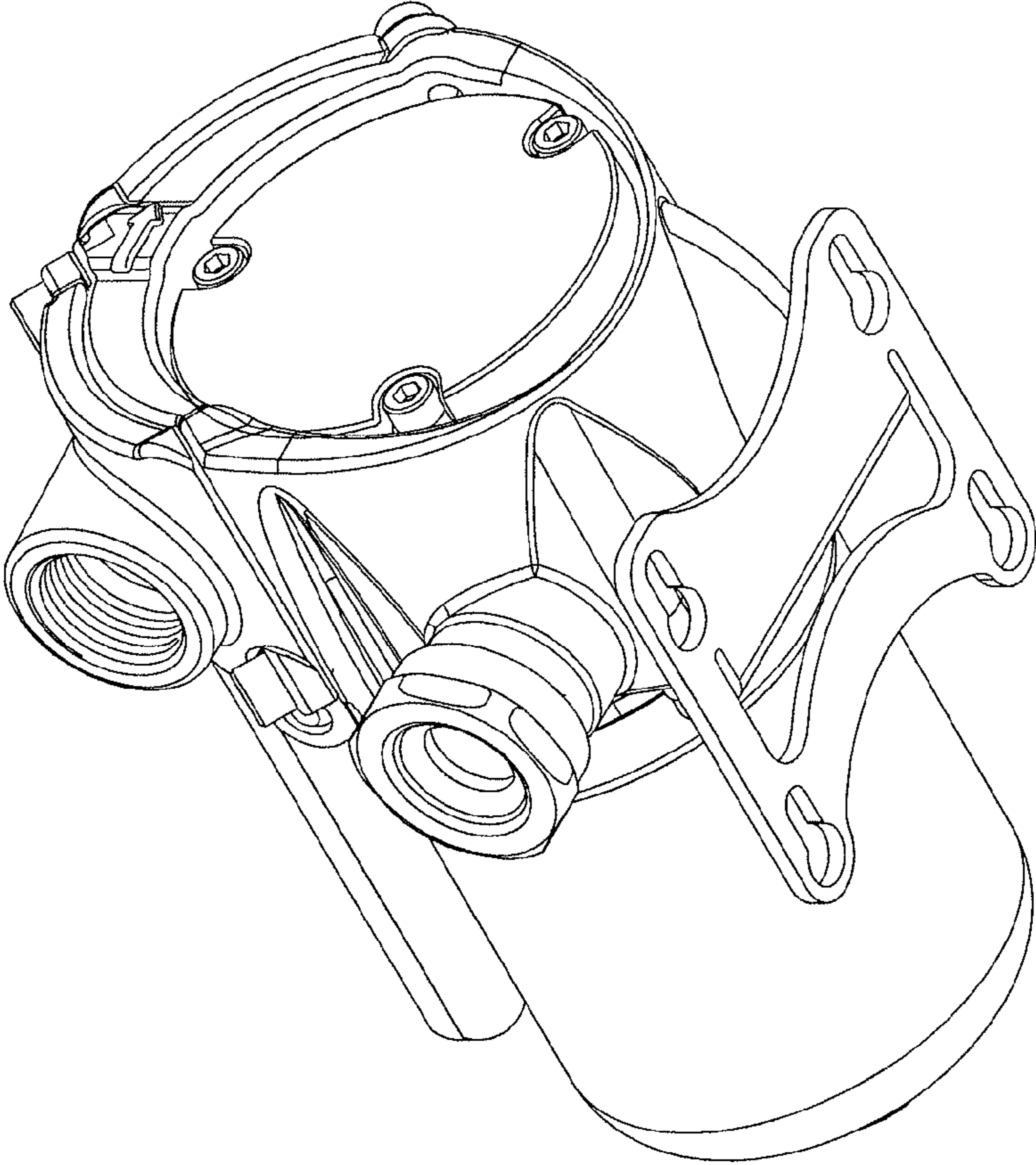


FIG. 5

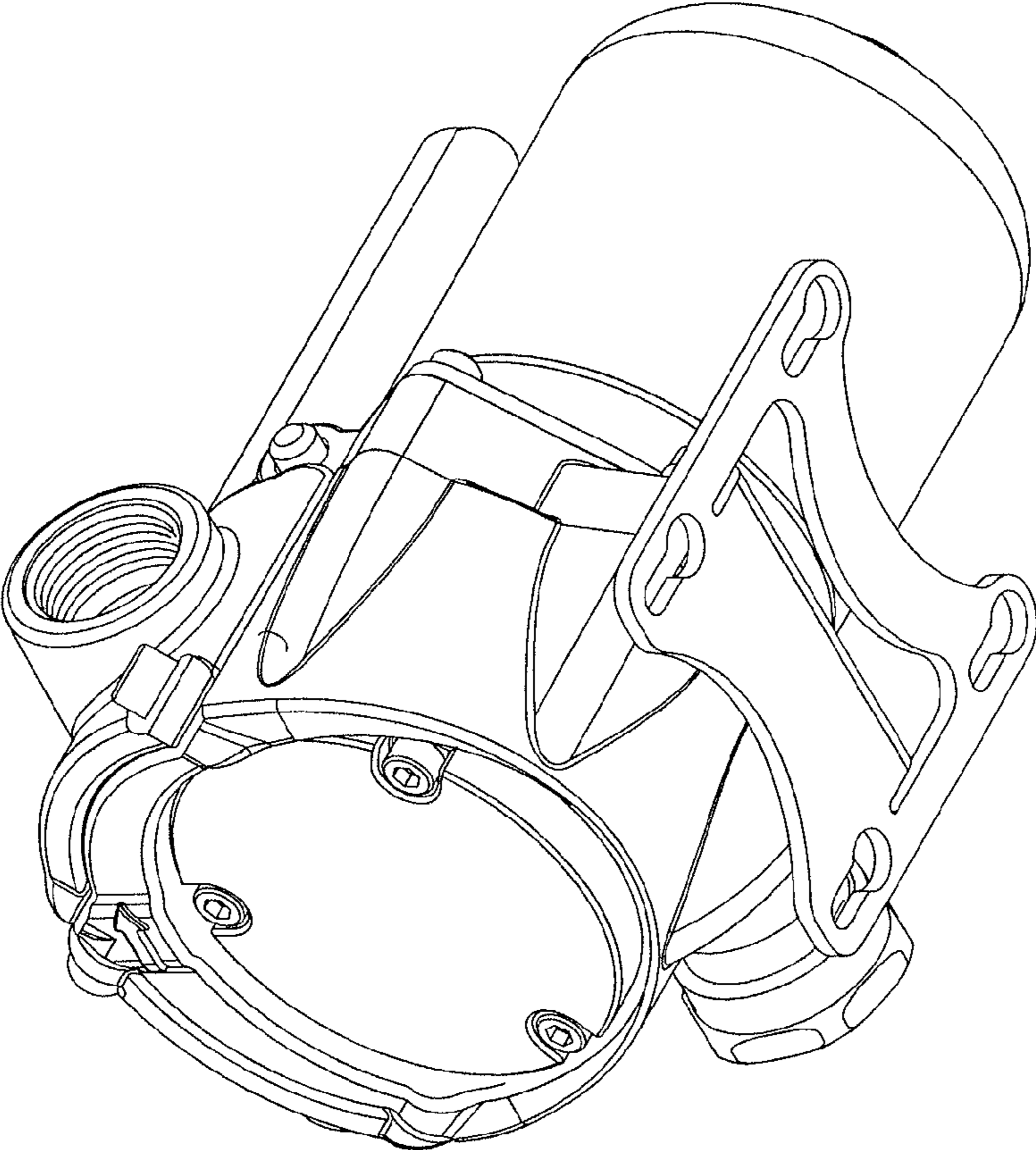


FIG. 6

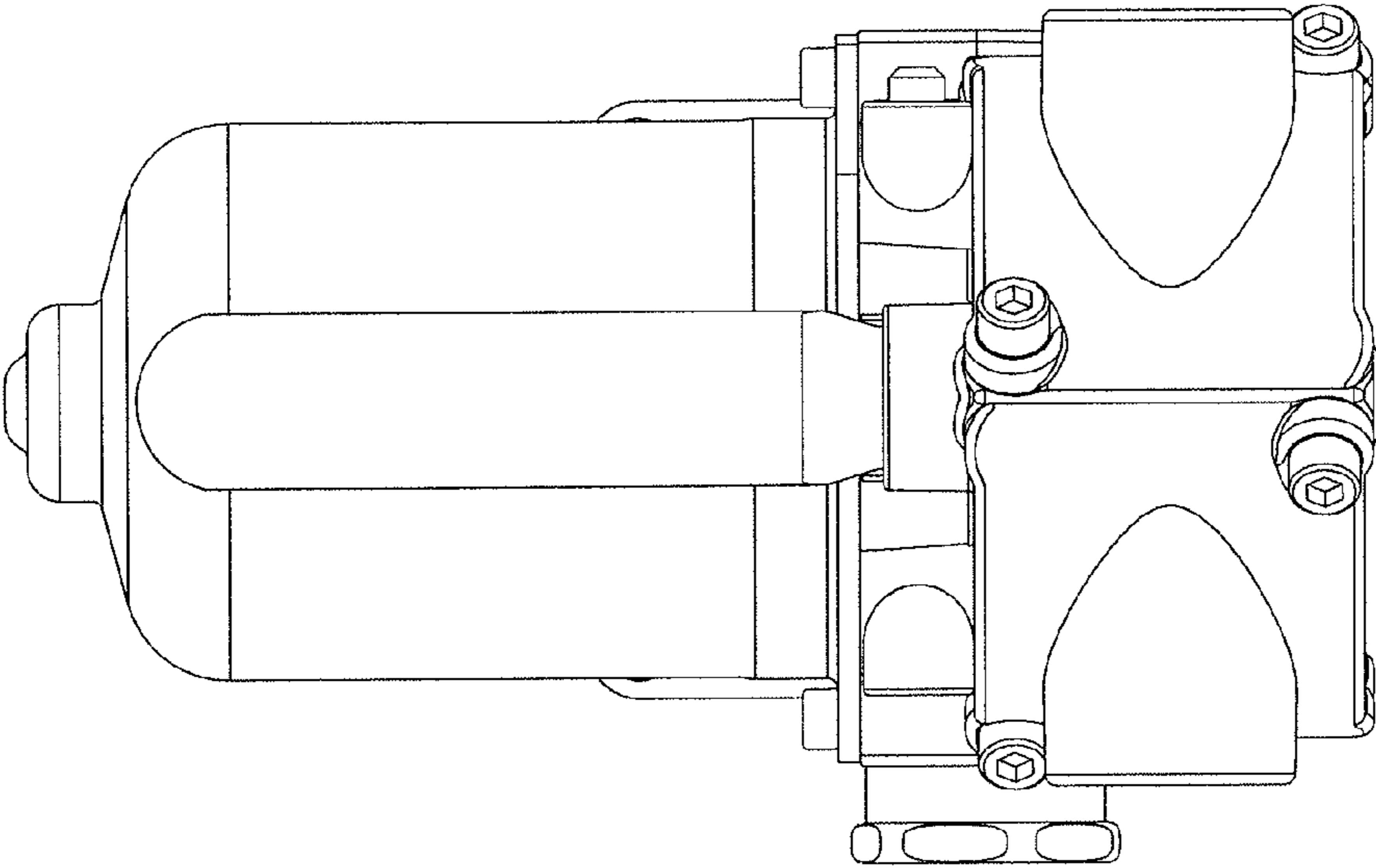


FIG. 7



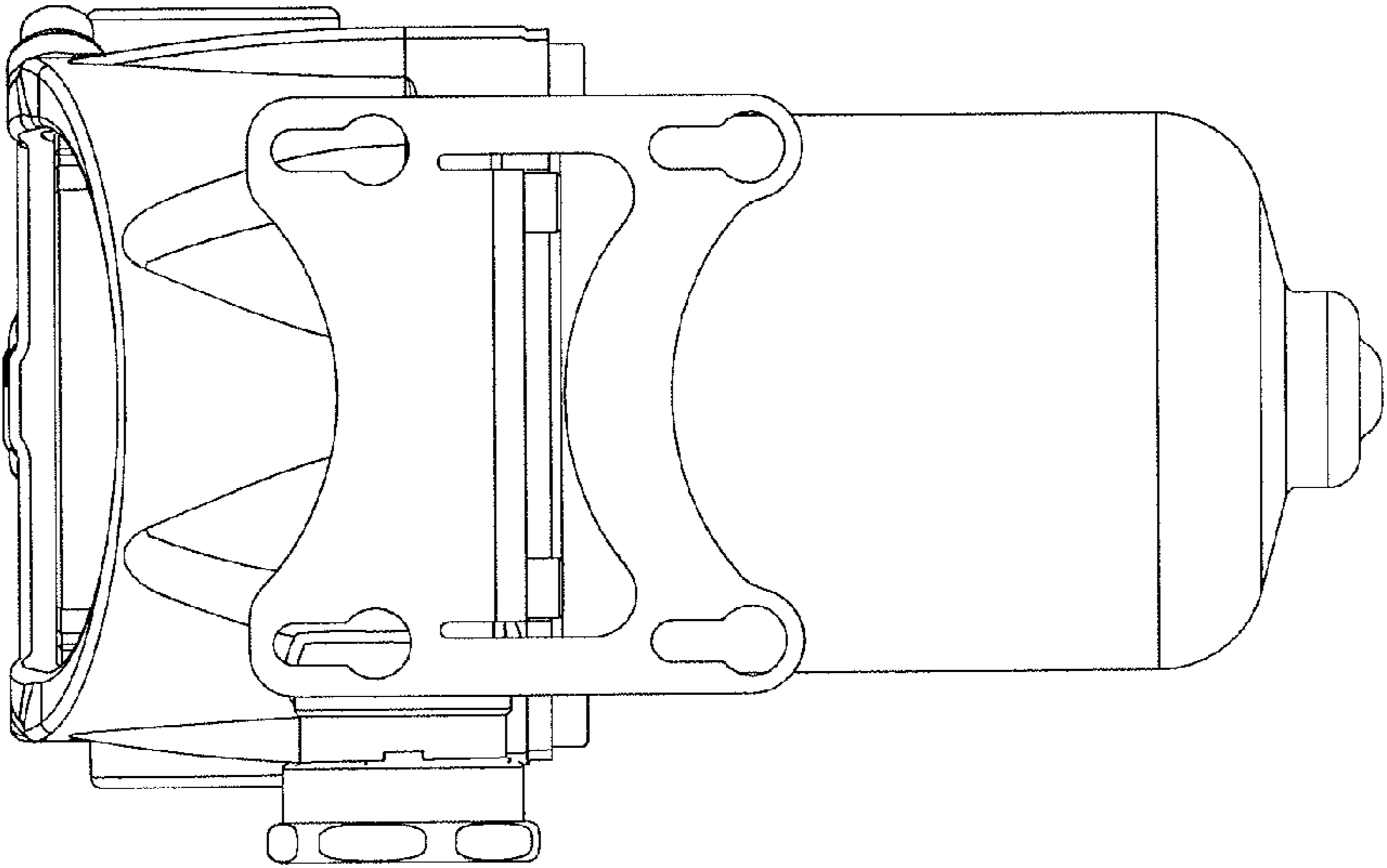


FIG. 8

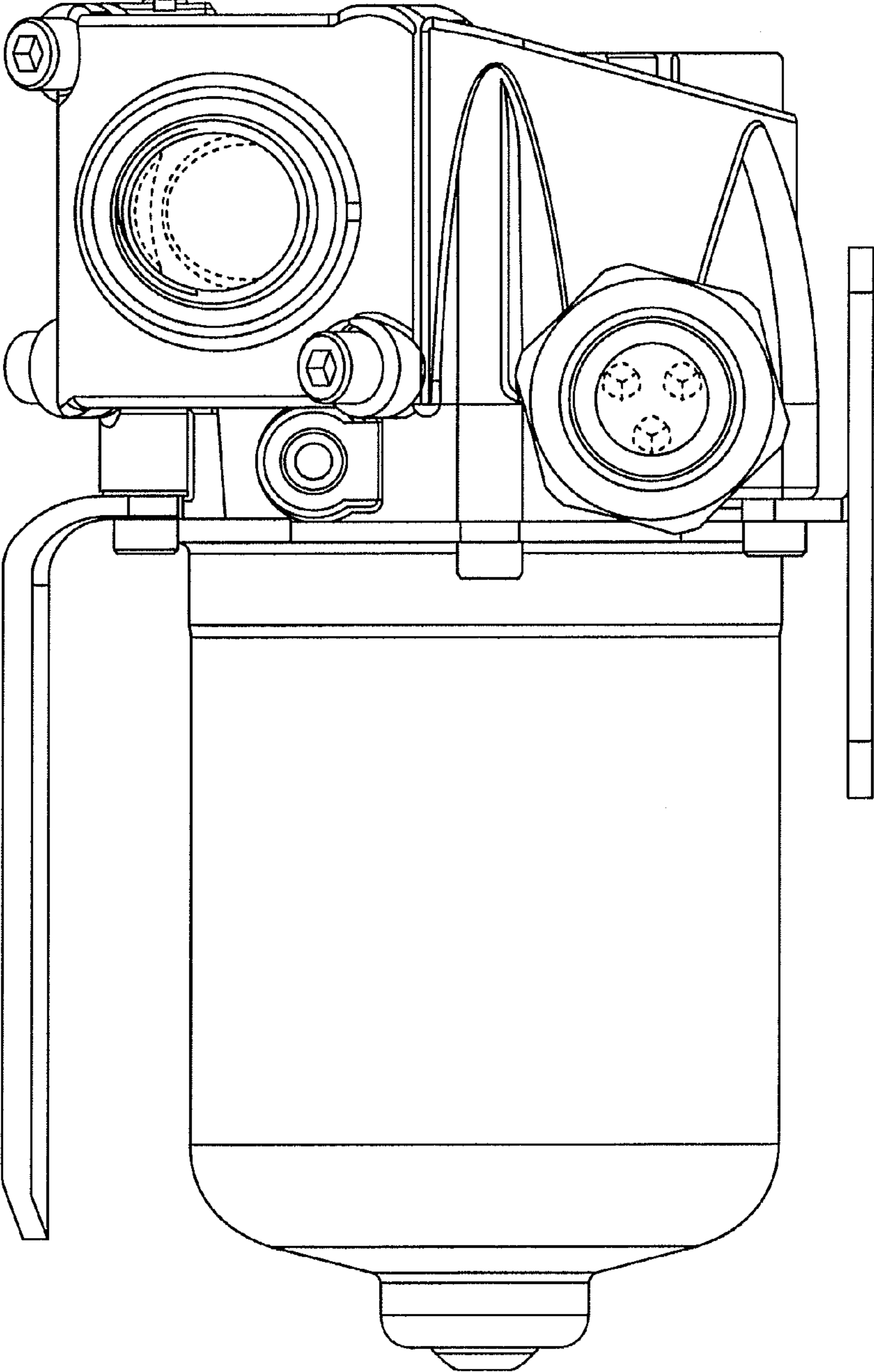


FIG. 9

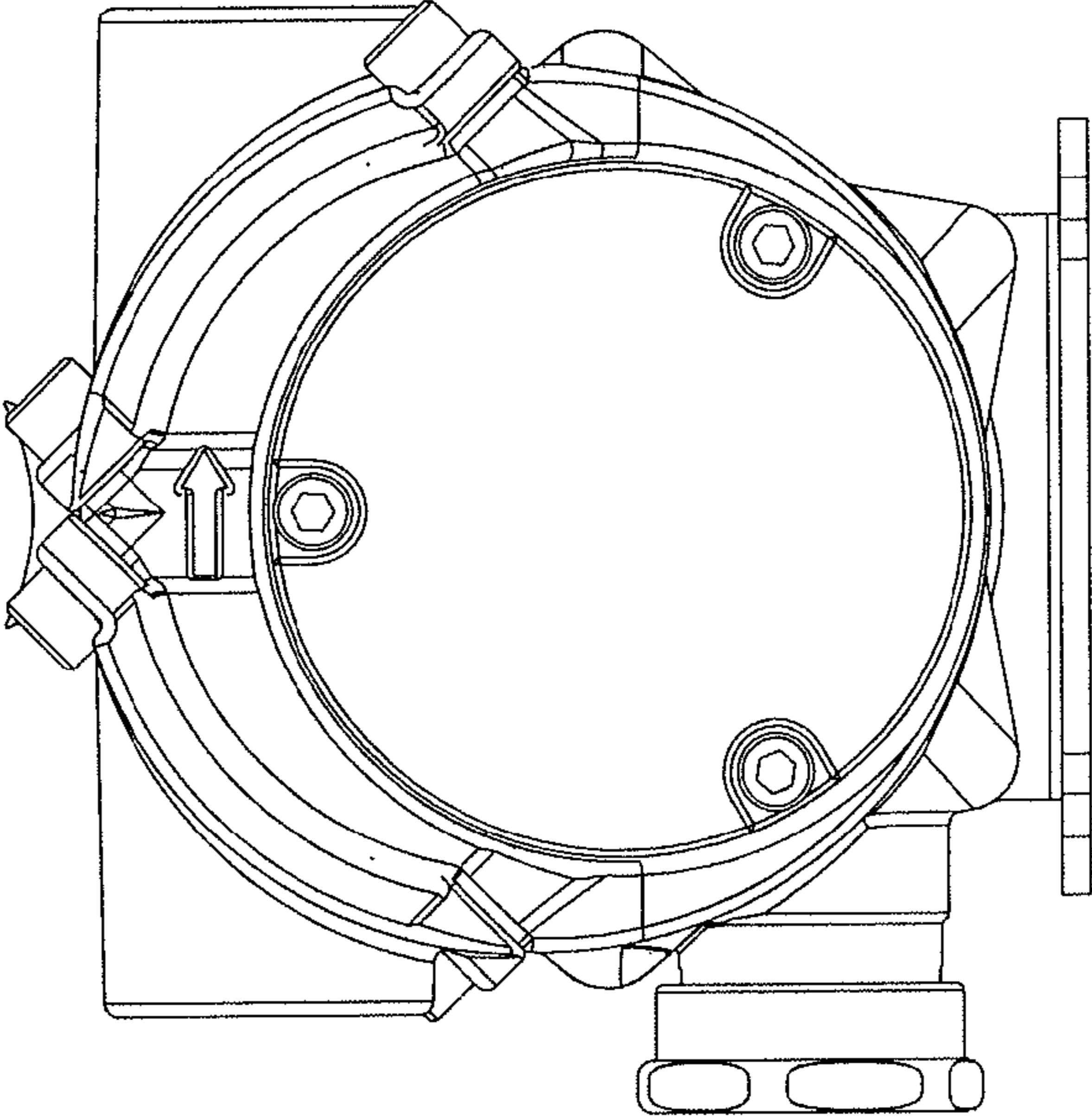


FIG. 10

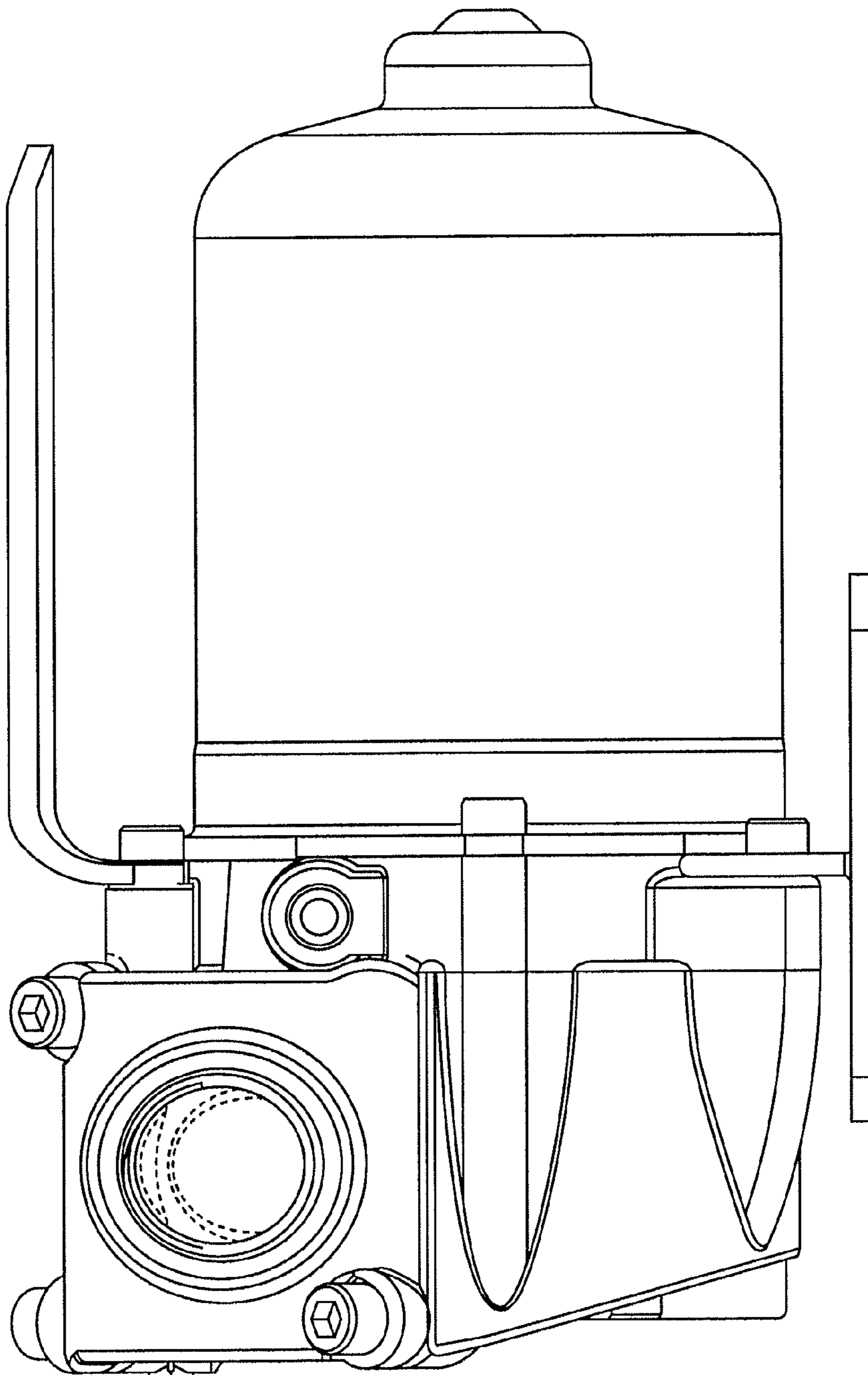


FIG. 11

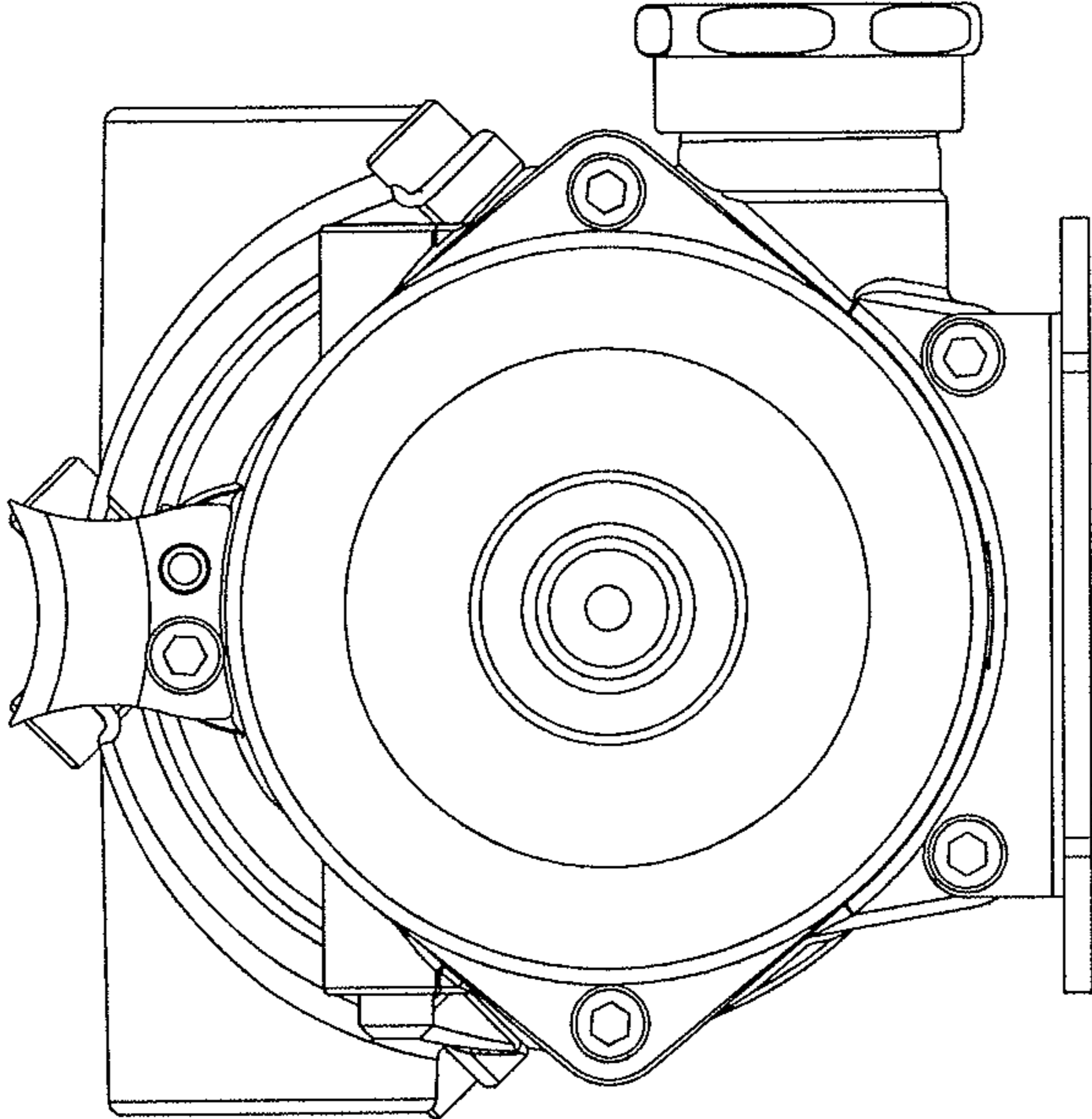


FIG. 12

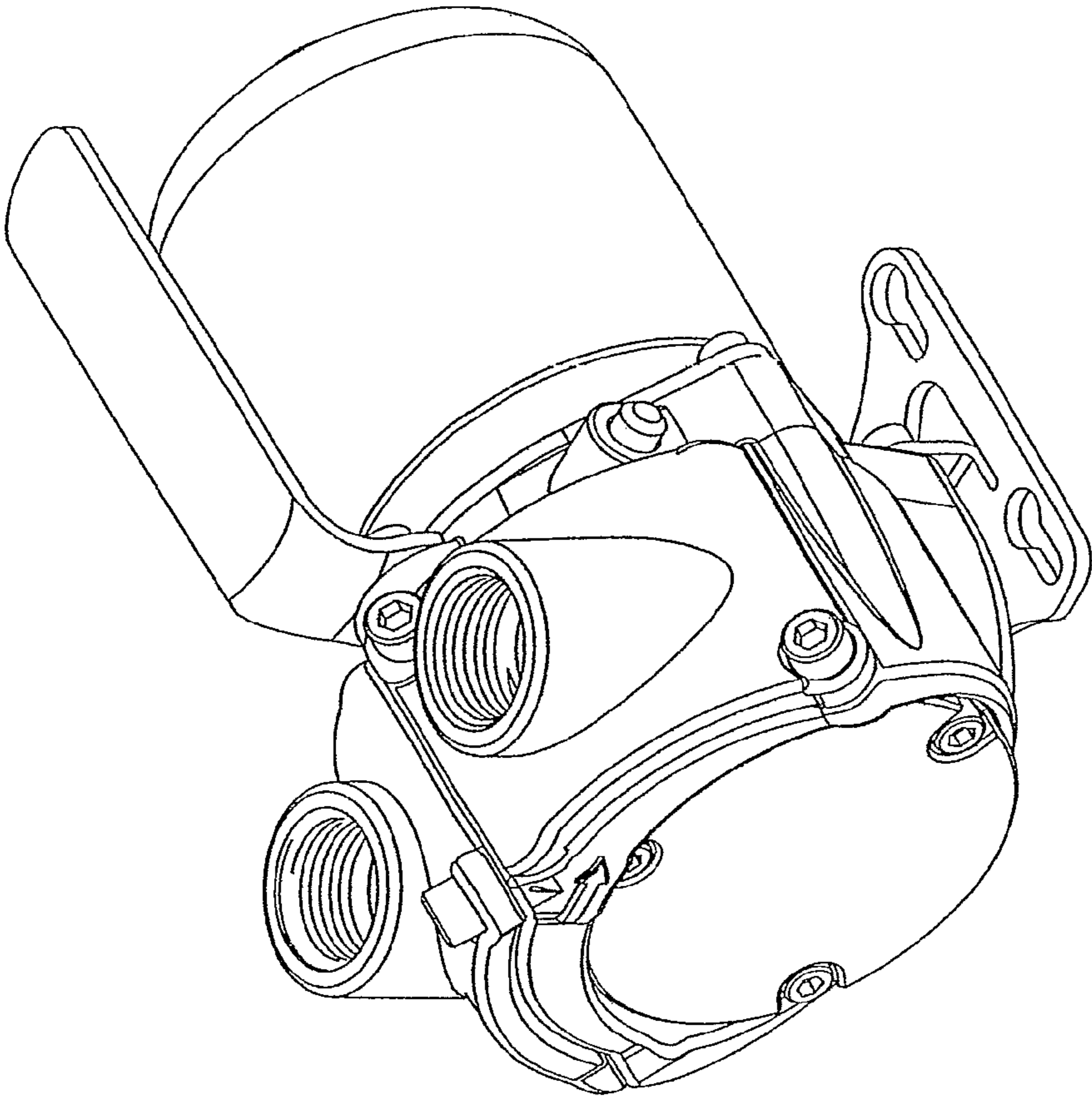


FIG. 13