

US00D725152S

(12) **United States Design Patent**  
**Wong**

(10) **Patent No.:** **US D725,152 S**  
(45) **Date of Patent:** **\*\* Mar. 24, 2015**

(54) **CONTROL PANEL FOR DJ SOUND SYSTEM**

(56) **References Cited**

(71) Applicant: **Koninklijke Philips N.V.**, Eindhoven  
(NL)

U.S. PATENT DOCUMENTS

(72) Inventor: **Shun Cheong King Wong**, Hong Kong  
(CN)

|                |         |                |       |           |
|----------------|---------|----------------|-------|-----------|
| 6,328,570 B1 * | 12/2001 | Ng             | ..... | 434/307 A |
| D454,855 S *   | 3/2002  | Nakane         | ..... | D14/168   |
| D496,922 S *   | 10/2004 | Kimura         | ..... | D14/500   |
| 7,303,222 B2 * | 12/2007 | Wilkins        | ..... | 296/37.6  |
| 7,320,520 B2 * | 1/2008  | Johnson        | ..... | 353/15    |
| D583,798 S *   | 12/2008 | Iijima et al.  | ..... | D14/168   |
| D596,196 S *   | 7/2009  | Laituri et al. | ..... | D14/496   |
| D610,589 S *   | 2/2010  | Chia et al.    | ..... | D14/496   |
| D614,670 S *   | 4/2010  | Strauser       | ..... | D14/497   |
| D615,555 S *   | 5/2010  | Ho             | ..... | D14/496   |
| D615,993 S *   | 5/2010  | Ho             | ..... | D14/496   |
| 8,312,375 B2 * | 11/2012 | Hamada         | ..... | 715/716   |

(73) Assignee: **Koninklijke Philips N.V.**, Eindhoven  
(NL)

(\*\*) Term: **14 Years**

(21) Appl. No.: **29/482,767**

\* cited by examiner

(22) Filed: **Feb. 21, 2014**

*Primary Examiner* — Prabhakar Deshmukh

(30) **Foreign Application Priority Data**

(74) *Attorney, Agent, or Firm* — Venable LLP; Steven J. Schwarz

Aug. 21, 2013 (EM) ..... 002294694-0001

(51) **LOC (10) Cl.** ..... **14-03**

(57) **CLAIM**

The ornamental design for control panel for DJ sound system, as shown and described.

(52) **U.S. Cl.**

**DESCRIPTION**

USPC ..... **D14/496**; D14/203.3

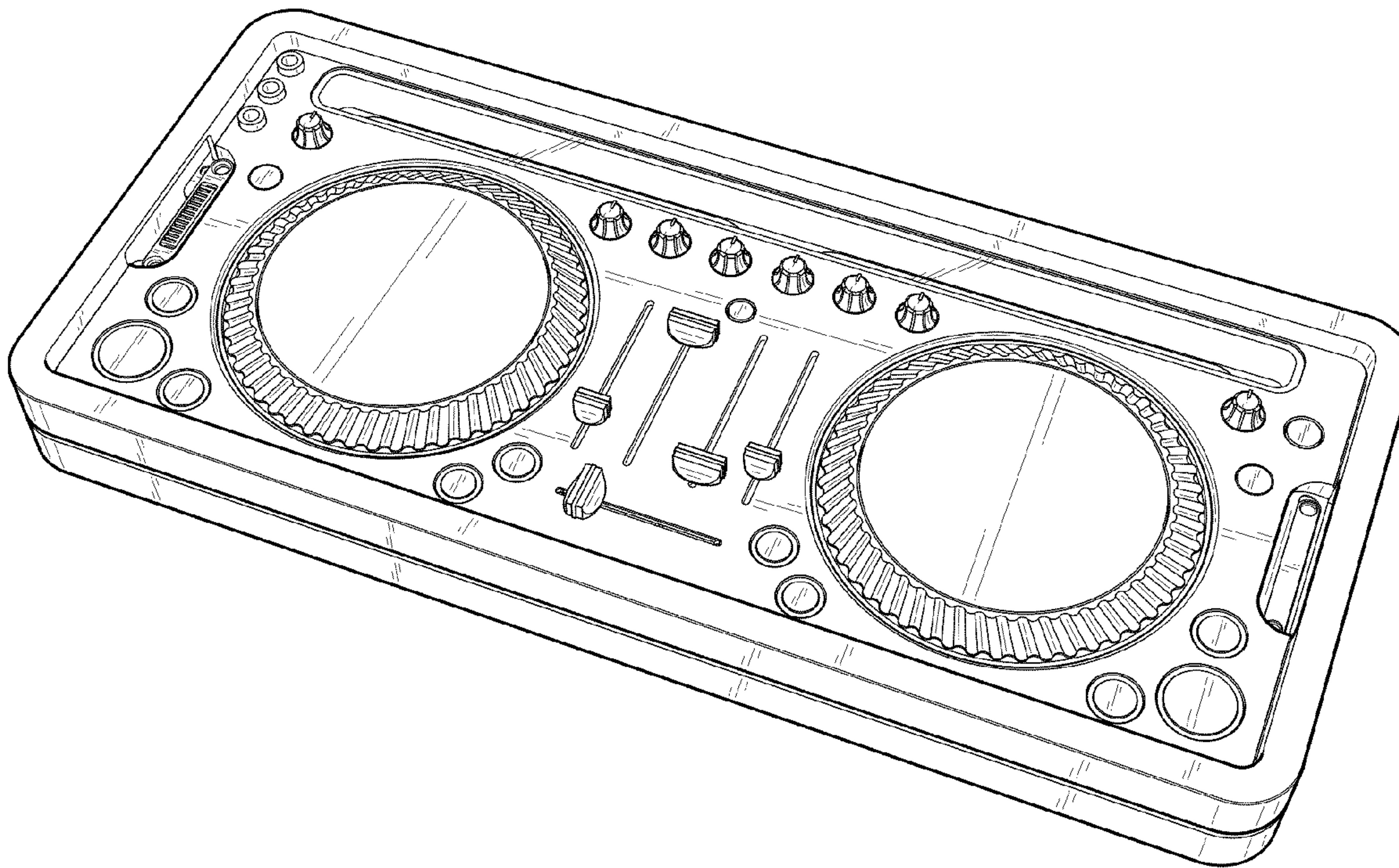
(58) **Field of Classification Search**

USPC ..... D14/496, 401, 435, 474, 483, 217, 137,  
D14/138, 160, 168, 356, 203.1–203.8, 507;  
345/156, 169, 173–179, 905;  
715/727–729, 864; 710/1, 5, 8; 713/1,  
713/600; 455/1.1, 1.7, 73, 344–347, 93, 95,  
455/3.01–3.06, 550.1, 573.1; 370/342–344;  
369/1, 2, 6–12; 463/43–47; 273/148 B

FIG. 1 is a perspective view of a control panel for DJ sound system showing my new design;  
FIG. 2 is a front elevational view thereof;  
FIG. 3 is a rear elevational view thereof;  
FIG. 4 is a left side elevational view thereof;  
FIG. 5 is a right side elevational view thereof;  
FIG. 6 is a top plan view thereof; and,  
FIG. 7 is a bottom plan view thereof.

See application file for complete search history.

**1 Claim, 3 Drawing Sheets**



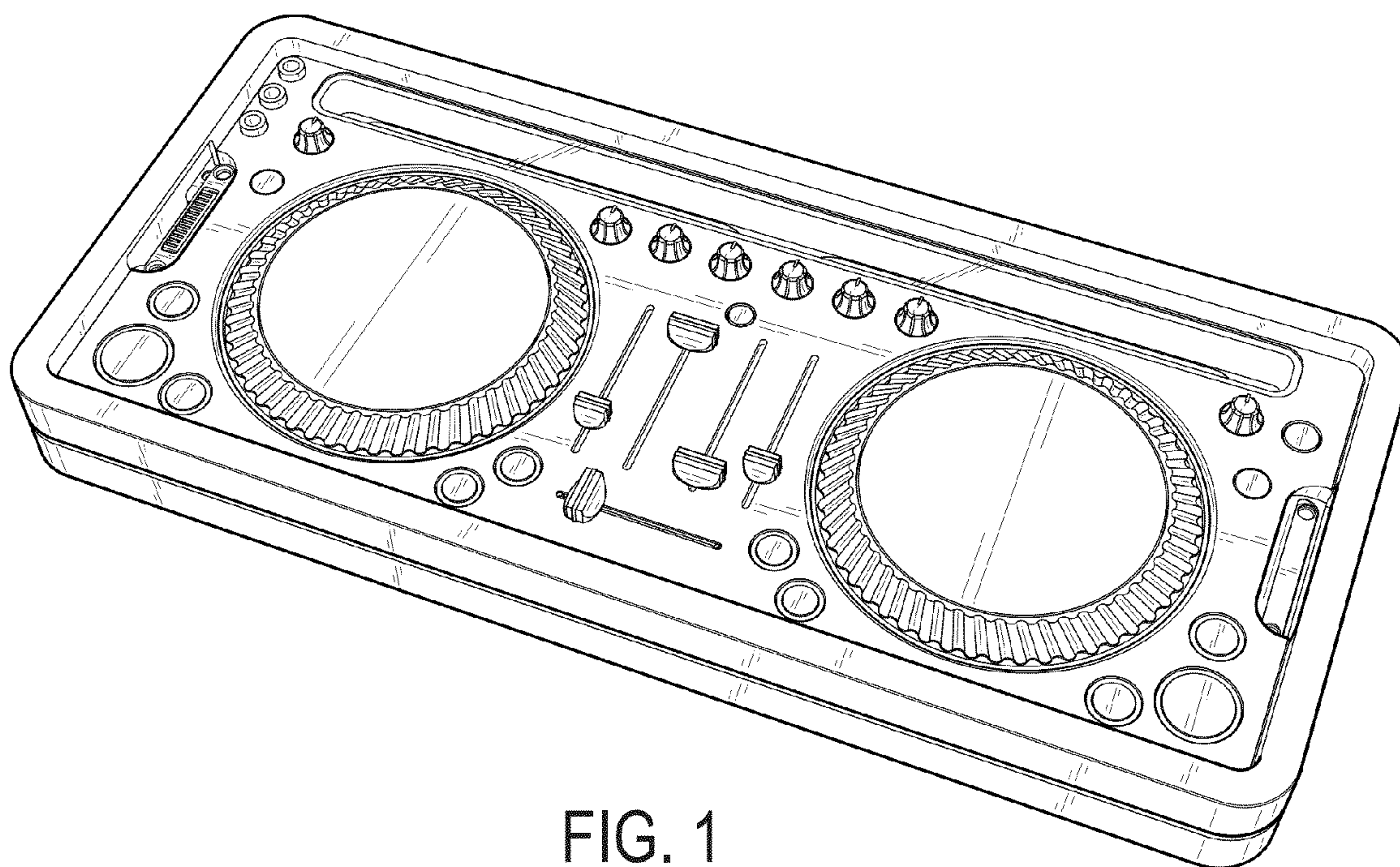


FIG. 1

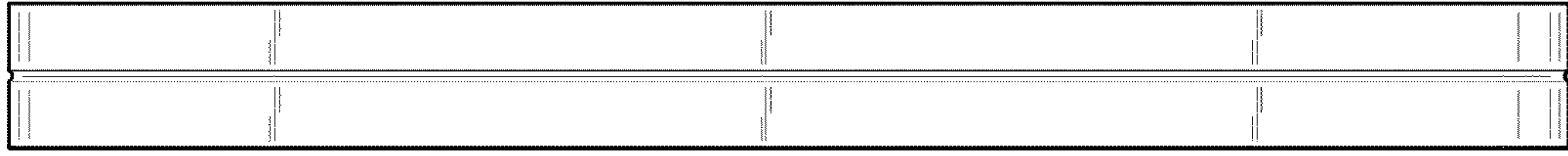


FIG. 2

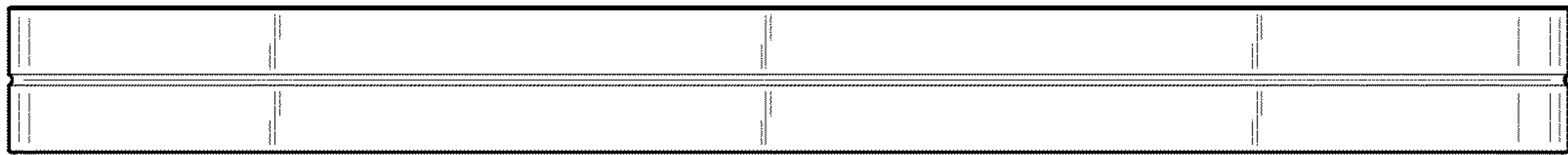


FIG. 3

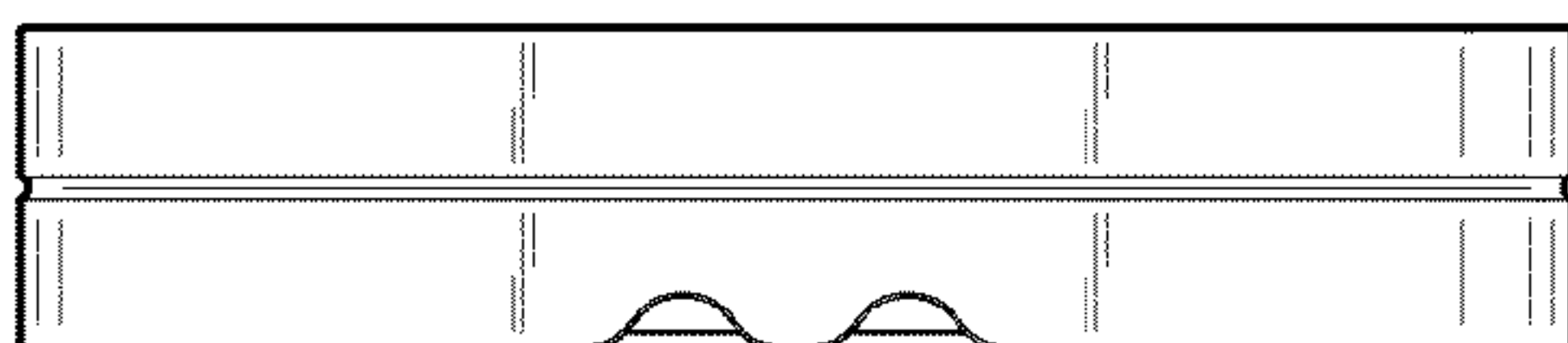


FIG. 4

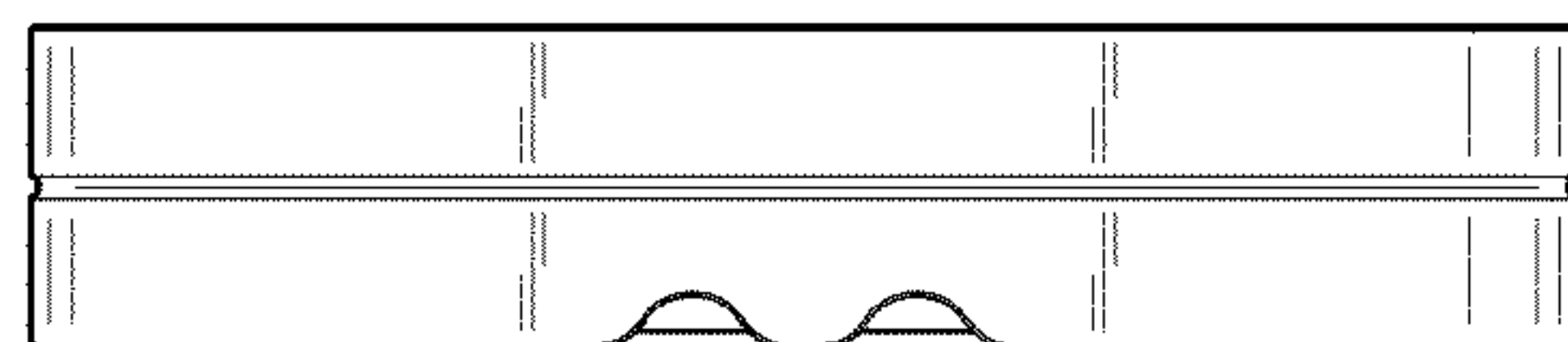


FIG. 5



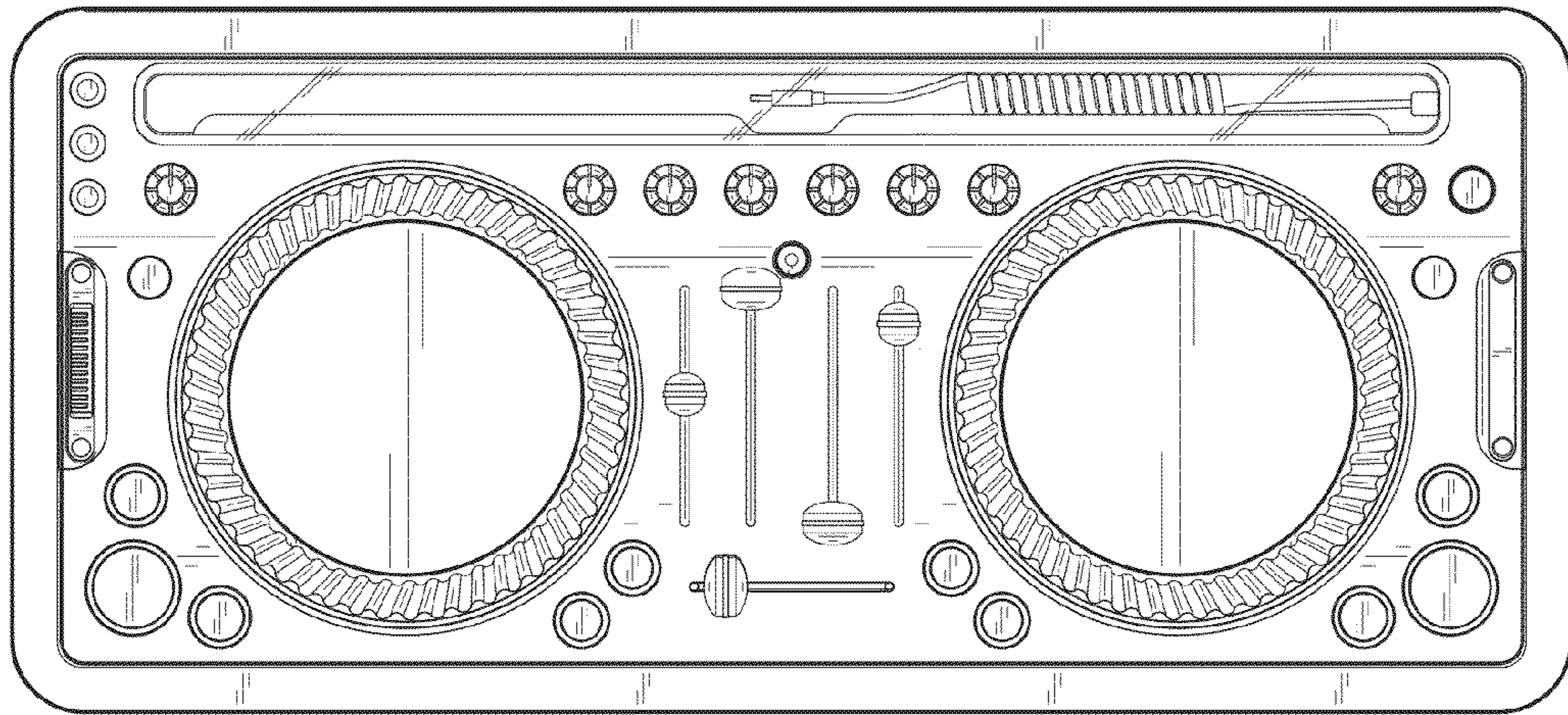


FIG. 6

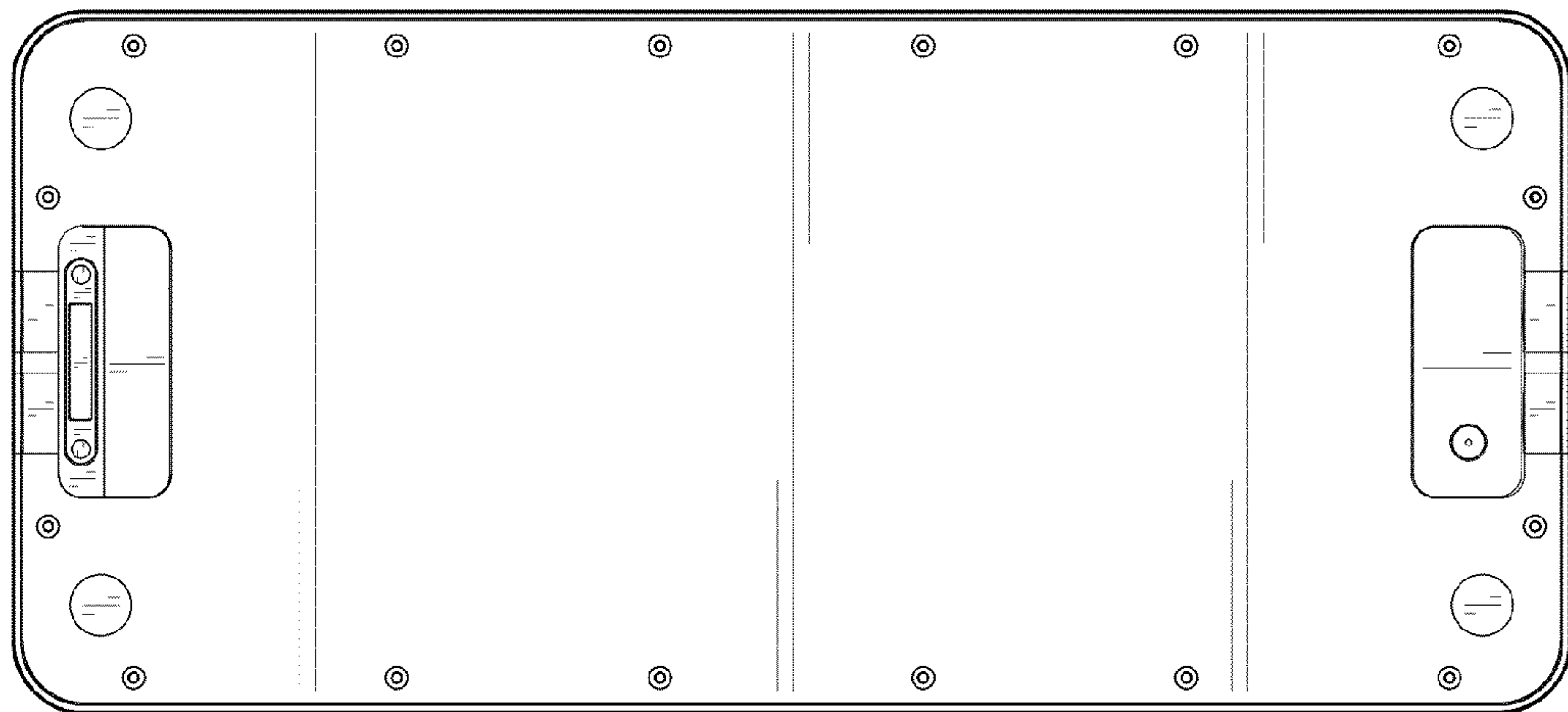


FIG. 7