



US00D725128S

(12) **United States Design Patent**
Aoshima

(10) **Patent No.:** **US D725,128 S**
(45) **Date of Patent:** **** Mar. 24, 2015**

(54) **DISPLAY SCREEN OF DIGITAL CAMERA**

(71) Applicant: **Fujifilm Corporation**, Tokyo (JP)

(72) Inventor: **Yuzo Aoshima**, Tokyo (JP)

(73) Assignee: **Fujifilm Corporation**, Tokyo (JP)

(**) Term: **14 Years**

(21) Appl. No.: **29/445,550**

(22) Filed: **Feb. 13, 2013**

(30) **Foreign Application Priority Data**

Aug. 17, 2012 (JP) 2012-019760

(51) **LOC (10) Cl.** **14-04**

(52) **U.S. Cl.**
USPC **D14/485**

(58) **Field of Classification Search**
CPC G06F 3/0482; G06F 3/048; G06F 3/0481;
G06F 3/04817
USPC D14/485-495
See application file for complete search history.

(56) **References Cited**

U.S. PATENT DOCUMENTS

| | | | | |
|-----------|------|---------|------------------|---------|
| 5,553,213 | A * | 9/1996 | Sano | 345/440 |
| 6,154,210 | A * | 11/2000 | Anderson | 715/840 |
| D450,324 | S * | 11/2001 | Istvan et al. | D14/486 |
| D453,936 | S * | 2/2002 | Istvan et al. | D14/486 |
| D456,420 | S * | 4/2002 | Platz et al. | D14/489 |
| D465,226 | S * | 11/2002 | Friedman | D14/486 |
| D470,857 | S * | 2/2003 | Anderson et al. | D14/485 |
| D472,902 | S * | 4/2003 | Nashida et al. | D14/491 |
| D475,064 | S * | 5/2003 | Nashida et al. | D14/491 |
| D486,834 | S * | 2/2004 | Allen et al. | D14/486 |
| 6,897,880 | B2 * | 5/2005 | Samra | 345/619 |
| 7,000,181 | B2 * | 2/2006 | Press | 715/212 |
| D523,440 | S * | 6/2006 | Hernandez et al. | D14/486 |
| D535,657 | S * | 1/2007 | Ording | D14/487 |
| D541,292 | S * | 4/2007 | Sadler et al. | D14/486 |

| | | | | |
|----------|-----|---------|---------------|---------|
| D542,804 | S * | 5/2007 | Sadler et al. | D14/486 |
| D546,336 | S * | 7/2007 | Vong et al. | D14/485 |
| D550,235 | S * | 9/2007 | Armendariz | D14/487 |
| D555,662 | S * | 11/2007 | Nagata et al. | D14/487 |

(Continued)

OTHER PUBLICATIONS

JPO Design Division document Material No. HJ21031271; publicly known on Oct. 5, 2009.

(Continued)

Primary Examiner — Kevin Rudzinski

(74) *Attorney, Agent, or Firm* — Jean C. Edwards, Esq;
Edwards Neils PLLC

(57) **CLAIM**

The ornamental design for a display screen of digital camera, as shown and described.

DESCRIPTION

FIG. 1 is a first image of a display screen of digital camera showing my new design;
FIG. 2 is a second image thereof;
FIG. 3 is a third image thereof;
FIG. 4 is a front view of the digital camera;
FIG. 5 is a rear view thereof;
FIG. 6 is a left side view thereof;
FIG. 7 is a right side view thereof;
FIG. 8 is a top plan view thereof; and,
FIG. 9 is a bottom view thereof.

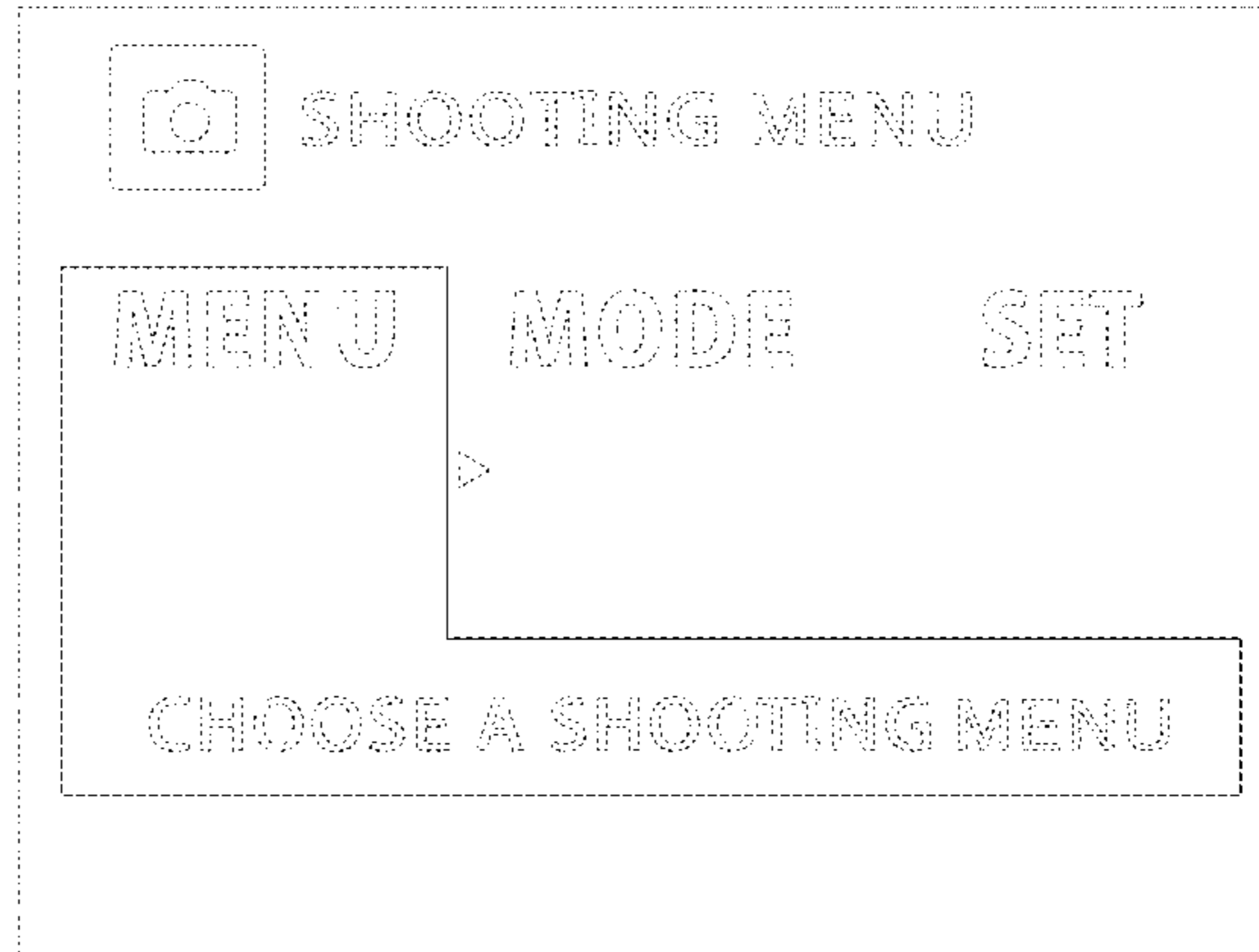
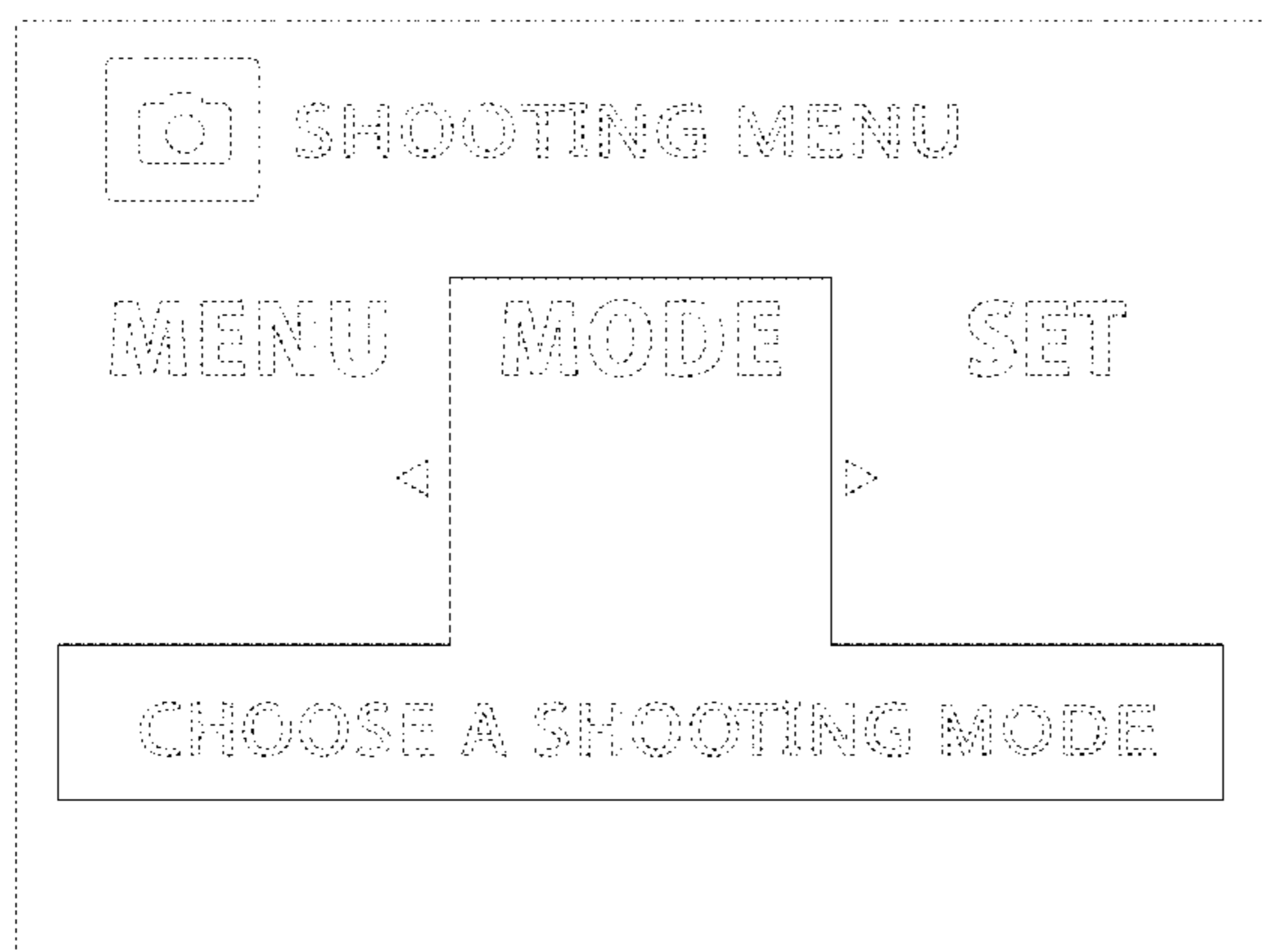
The appearance of image transitions sequentially between the images shown in FIGS. 1 through 3.

The process or period in which one image transitions to another image forms no part of the claimed design.

The portions in broken lines are for illustrative purposes only and form no part of the claimed design.

The broken lines illustrating the digital camera, display screen and portions of graphical user interface are for illustrative purposes only and form no part of the claimed design.

1 Claim, 8 Drawing Sheets



(56)

References Cited

U.S. PATENT DOCUMENTS

D555,664 S * 11/2007 Nagata et al. D14/488
 D558,211 S * 12/2007 Dongen D14/485
 D558,212 S * 12/2007 Dongen D14/485
 D558,221 S * 12/2007 Nagata et al. D14/488
 D562,341 S * 2/2008 Cameron D14/487
 D564,539 S * 3/2008 Van Dongen D14/487
 D569,873 S * 5/2008 Borovsky D14/487
 D570,363 S * 6/2008 Ulm et al. D14/487
 D570,364 S * 6/2008 Myers et al. D14/487
 D570,365 S * 6/2008 Borovsky D14/487
 D570,366 S * 6/2008 Sadler et al. D14/488
 D570,866 S * 6/2008 Borovsky et al. D14/487
 D573,601 S * 7/2008 Gregov et al. D14/487
 D573,605 S * 7/2008 Amacker D14/488
 D574,010 S * 7/2008 Borovsky et al. D14/487
 D575,793 S * 8/2008 Ording D14/486
 D578,543 S * 10/2008 Ulm et al. D14/487
 D580,942 S * 11/2008 Oshiro et al. D14/485
 D580,946 S * 11/2008 Chen et al. D14/486
 D588,605 S * 3/2009 Okada D14/488
 D593,116 S * 5/2009 Garcia et al. D14/487
 D593,117 S * 5/2009 Lettau D14/488
 D593,119 S * 5/2009 Okuyama D14/489
 D595,309 S * 6/2009 Sasaki et al. D14/488
 D596,193 S * 7/2009 Shotel D14/486
 D599,364 S * 9/2009 Mays D14/485
 D599,367 S * 9/2009 Mays et al. D14/485
 D599,368 S * 9/2009 Kanga et al. D14/485
 D599,815 S * 9/2009 Ogura et al. D14/490
 D603,415 S * 11/2009 Lin et al. D14/485
 D606,084 S * 12/2009 Agnetta et al. D14/485
 D606,085 S * 12/2009 Agnetta et al. D14/485
 D606,086 S * 12/2009 Agnetta et al. D14/485
 D611,053 S * 3/2010 Kanga et al. D14/485
 D611,484 S * 3/2010 Mays et al. D14/485
 D611,485 S * 3/2010 Marashi D14/485
 D614,633 S * 4/2010 Watanabe et al. D14/486
 D615,549 S * 5/2010 Caine et al. D14/486
 D624,929 S * 10/2010 Agnetta et al. D14/487
 D626,133 S * 10/2010 Murphy et al. D14/485
 D627,365 S * 11/2010 Brinda D14/488
 D632,698 S * 2/2011 Judy et al. D14/486
 D638,432 S * 5/2011 Flik et al. D14/486
 D649,556 S * 11/2011 Judy et al. D14/486
 D652,051 S * 1/2012 Judy et al. D14/486

D655,300 S * 3/2012 Jones et al. D14/486
 D661,702 S * 6/2012 Asai et al. D14/488
 D667,020 S * 9/2012 MacKenzie et al. D14/486
 D670,726 S * 11/2012 Bitran et al. D14/487
 D672,363 S * 12/2012 Reyna et al. D14/486
 D672,364 S * 12/2012 Reyna et al. D14/486
 D672,785 S * 12/2012 Rai et al. D14/486
 D674,809 S * 1/2013 Furue et al. D14/485
 D679,729 S * 4/2013 Kobayashi D14/492
 D681,652 S * 5/2013 Oda et al. D14/485
 D682,296 S * 5/2013 DiJulio et al. D14/487
 D682,297 S * 5/2013 DiJulio et al. D14/487
 D682,303 S * 5/2013 DiJulio et al. D14/487
 D682,842 S * 5/2013 Kurata et al. D14/485
 D684,180 S * 6/2013 Chutani et al. D14/487
 D685,817 S * 7/2013 Kunieda et al. D14/487
 D686,633 S * 7/2013 Kluttz et al. D14/485
 D688,676 S * 8/2013 Okumura et al. D14/486
 D689,074 S * 9/2013 Talbot et al. D14/486
 D689,511 S * 9/2013 Convay et al. D14/486
 D689,876 S * 9/2013 Holz D14/485
 D690,319 S * 9/2013 Wenz et al. D14/488
 D692,444 S * 10/2013 Lee et al. D14/486
 D697,931 S * 1/2014 Lee et al. D14/486
 D697,933 S * 1/2014 Lee et al. D14/486
 D697,940 S * 1/2014 Bitran et al. D14/487
 8,640,045 B2 * 1/2014 Ording et al. 715/779
 D701,227 S * 3/2014 Lee D14/486
 D704,274 S * 5/2014 Ono D21/385
 D706,803 S * 6/2014 Rogowski et al. D14/486
 D709,084 S * 7/2014 Agnew et al. D14/486
 D709,089 S * 7/2014 Eilam D14/489
 D709,098 S * 7/2014 Kobayashi D14/493
 D709,516 S * 7/2014 Nakada D14/486
 D710,376 S * 8/2014 Lacour et al. D14/487
 D711,397 S * 8/2014 Lawson et al. D14/486
 D711,907 S * 8/2014 Sepulveda et al. D14/487
 D714,331 S * 9/2014 Lawson et al. D14/486
 D715,826 S * 10/2014 Sakuma D14/487
 D718,780 S * 12/2014 Rajaraman et al. D14/486
 D719,188 S * 12/2014 Anderson et al. D14/489
 2008/0066016 A1 * 3/2008 Dowdy et al. 715/854

OTHER PUBLICATIONS

JPO Design Division document Material No. HA19009291; published on Sep. 1, 2007.

* cited by examiner

Fig. 1

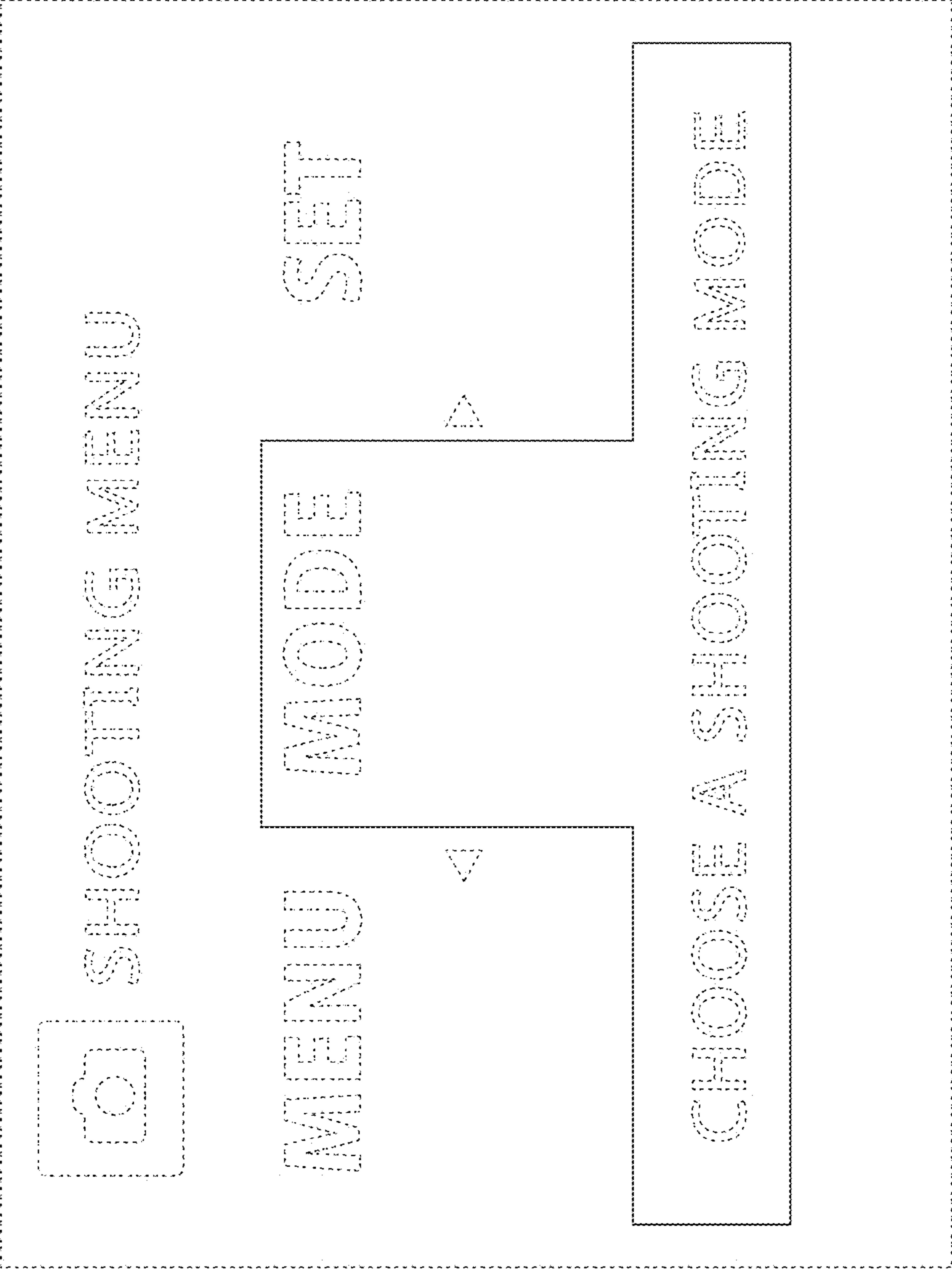


Fig. 2

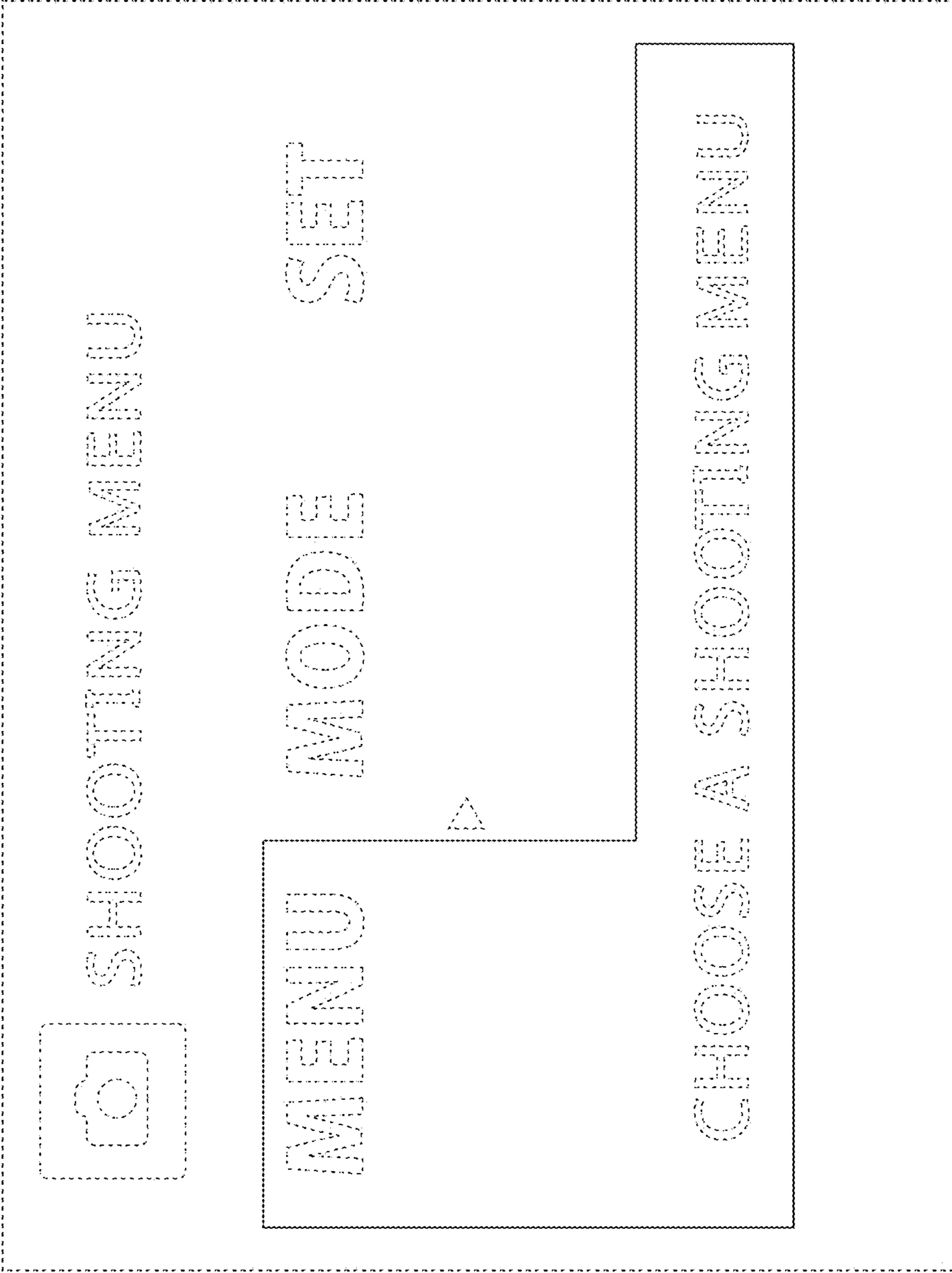


Fig. 3

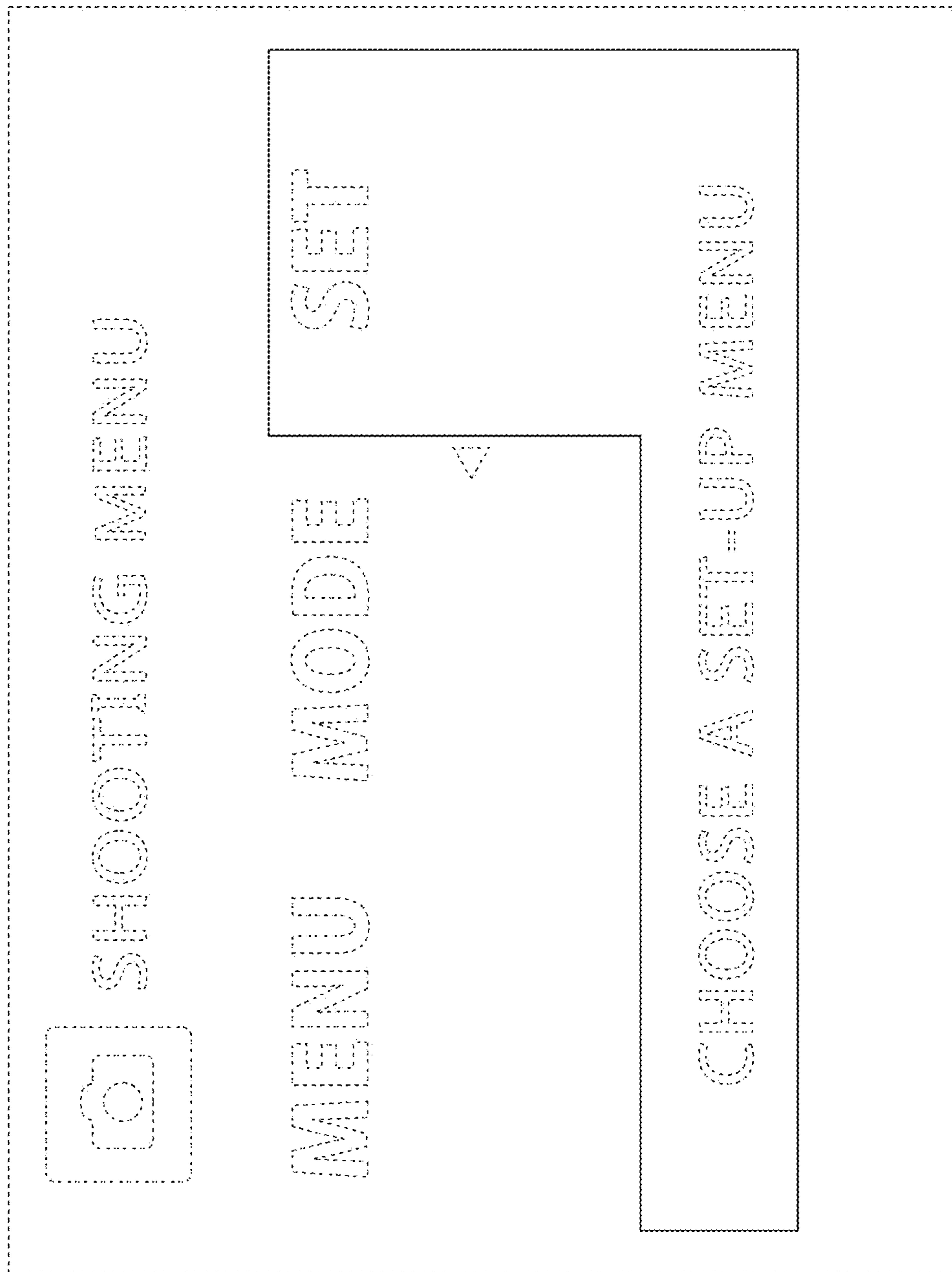


Fig. 4

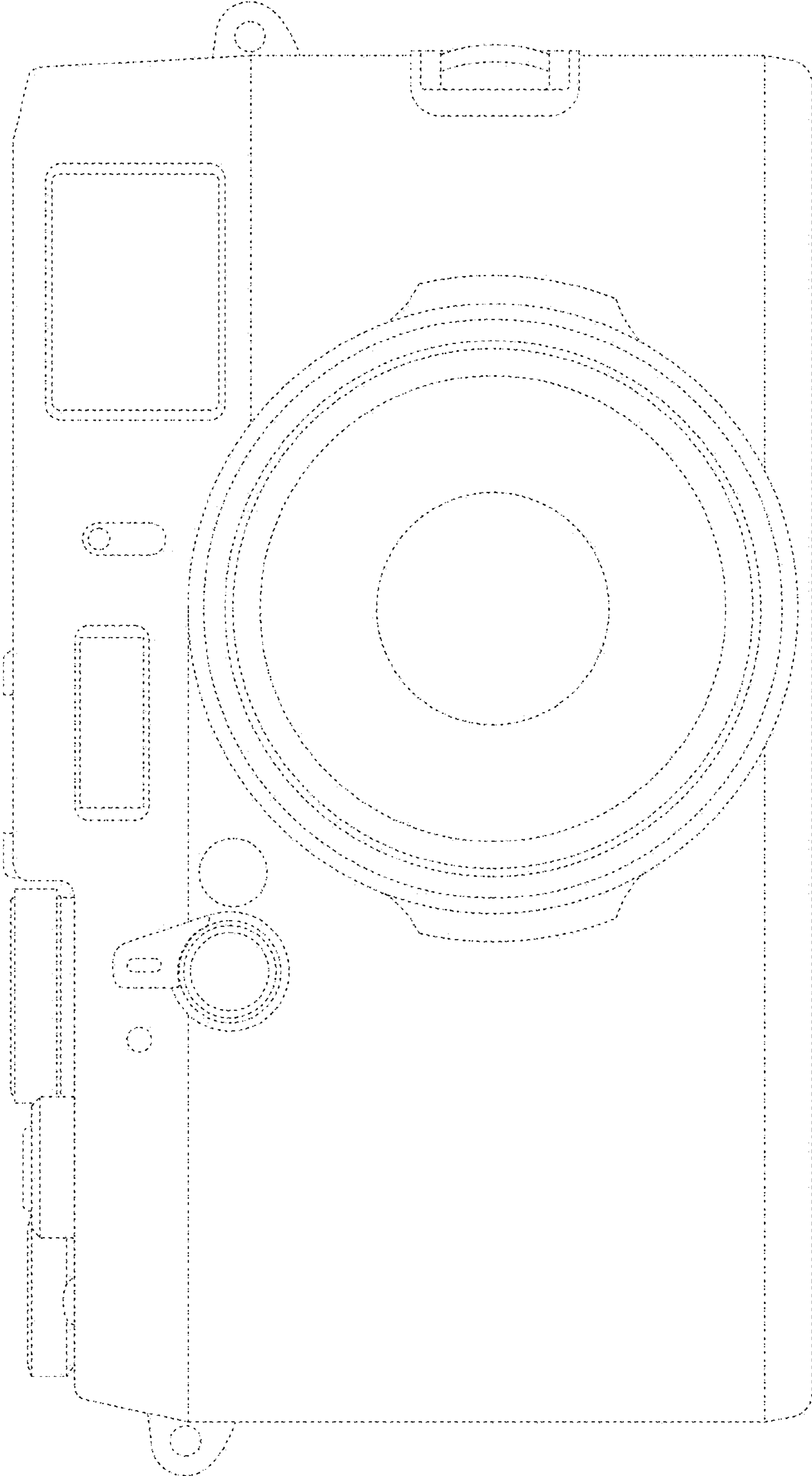


Fig. 5

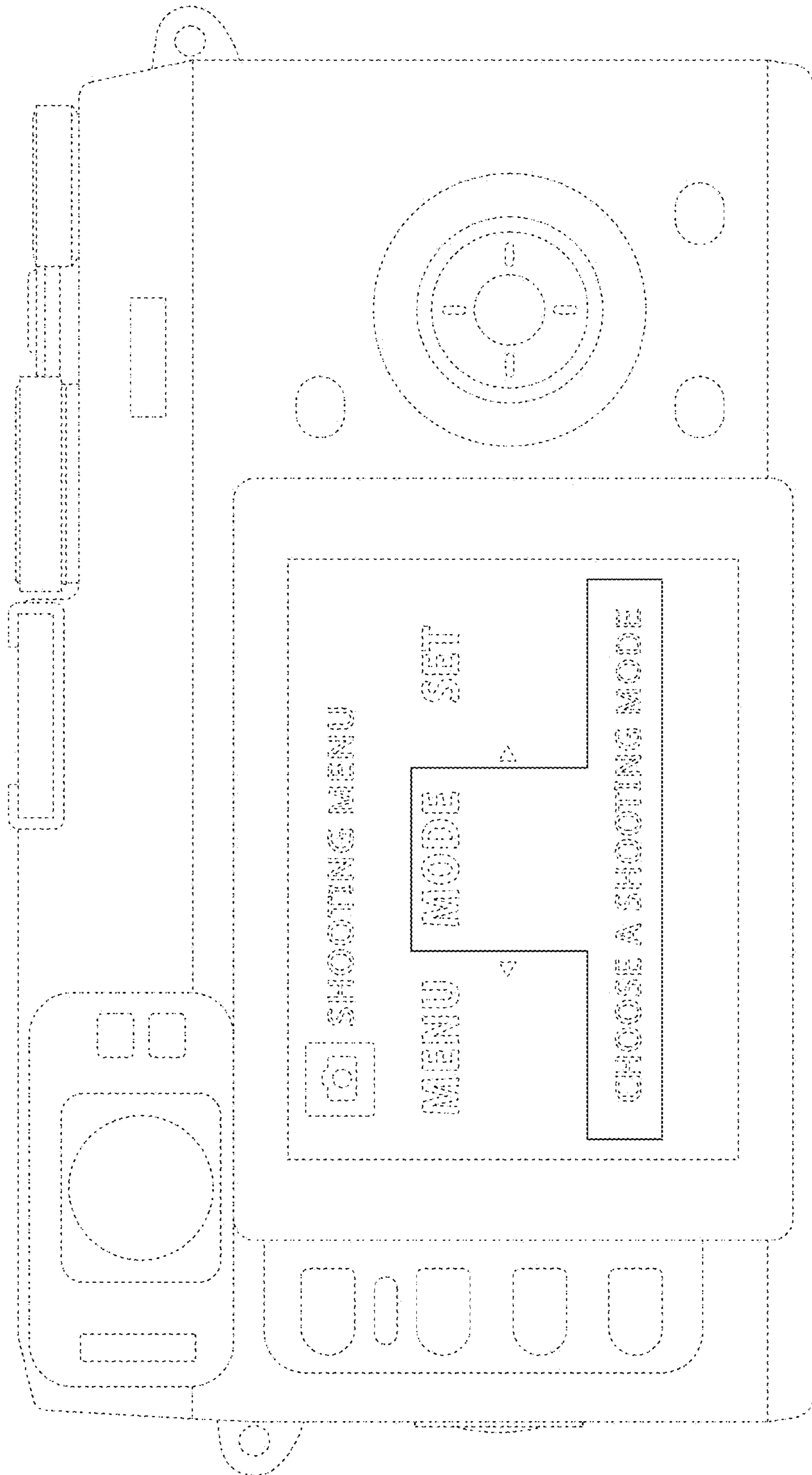


Fig. 7

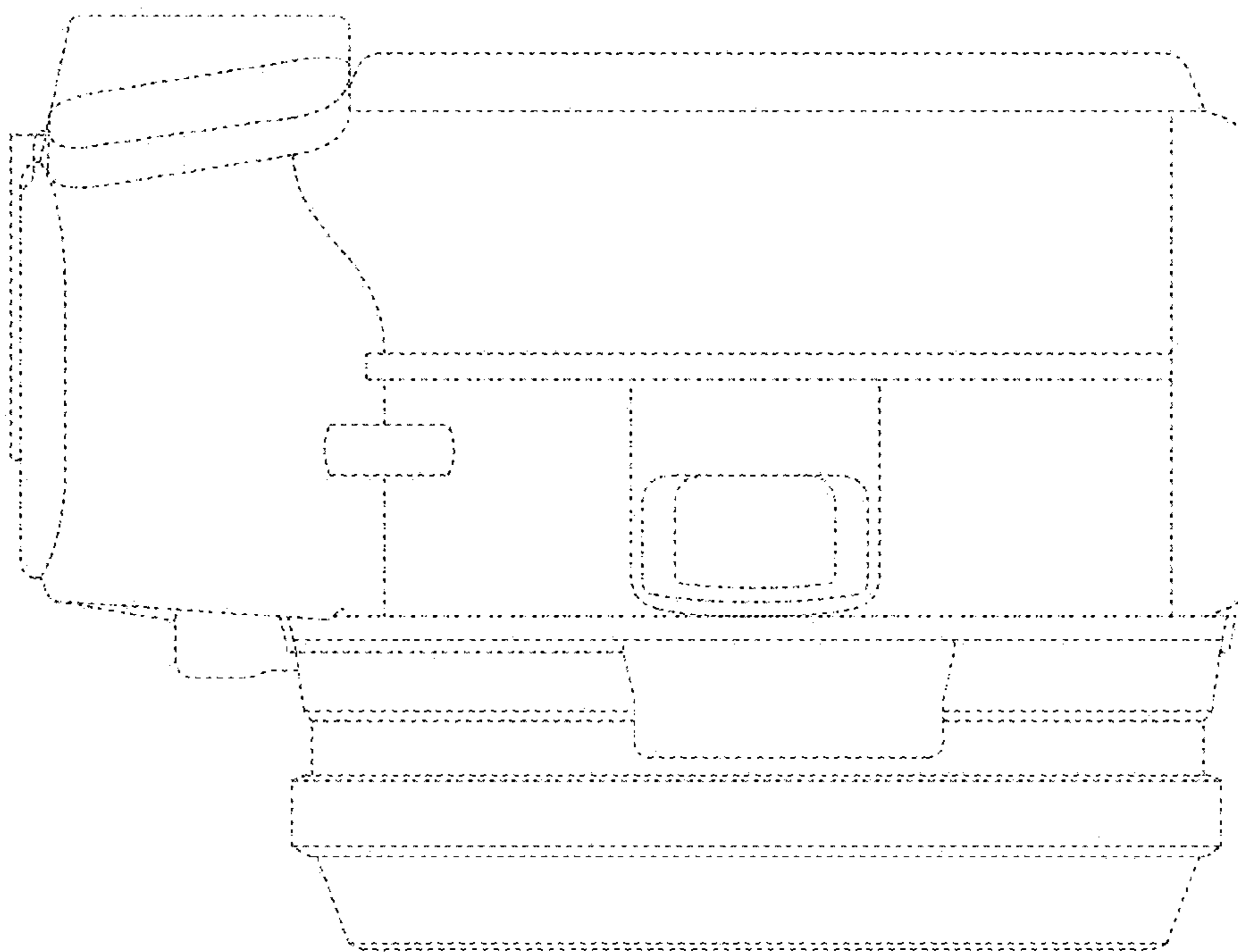


Fig. 6

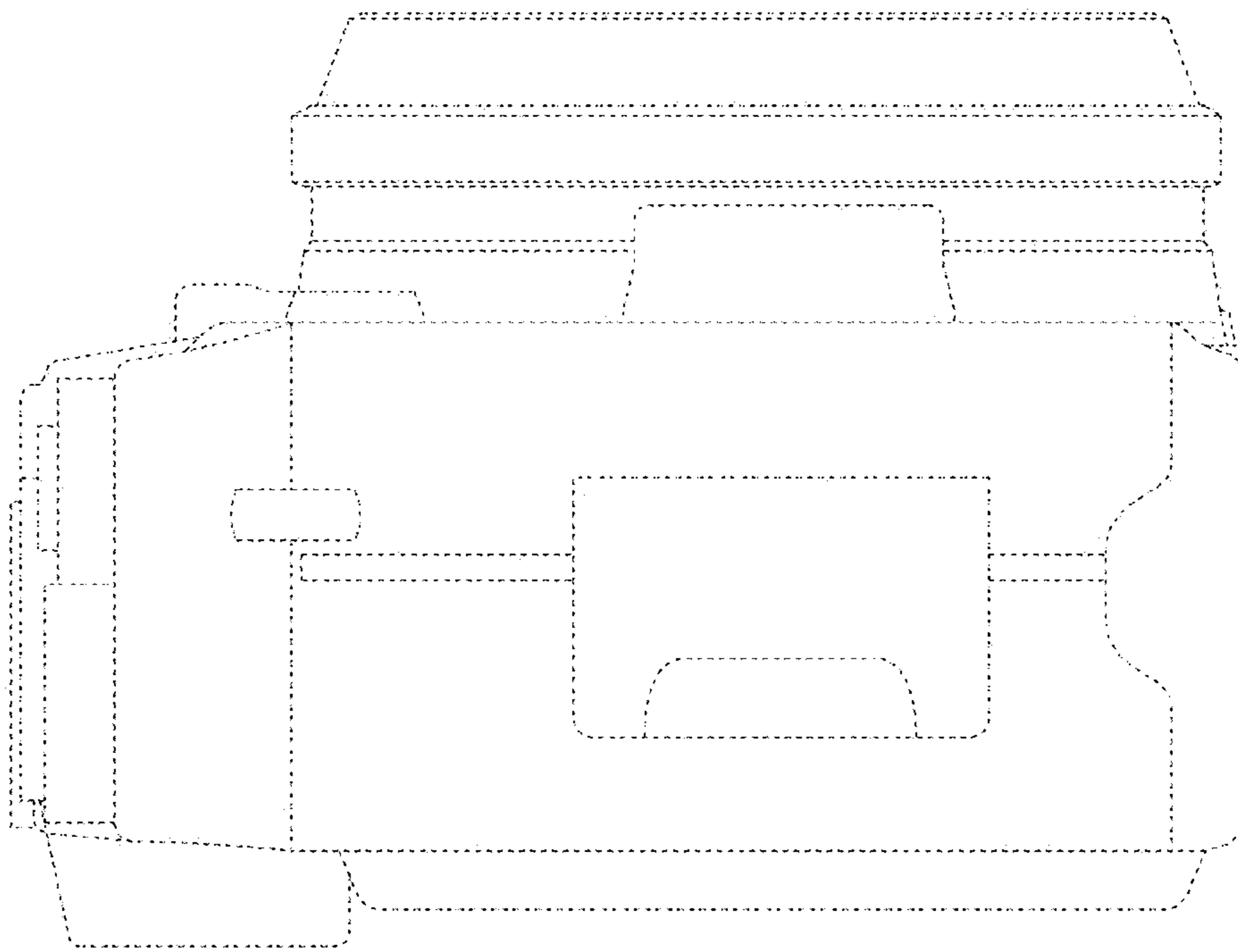


Fig. 8

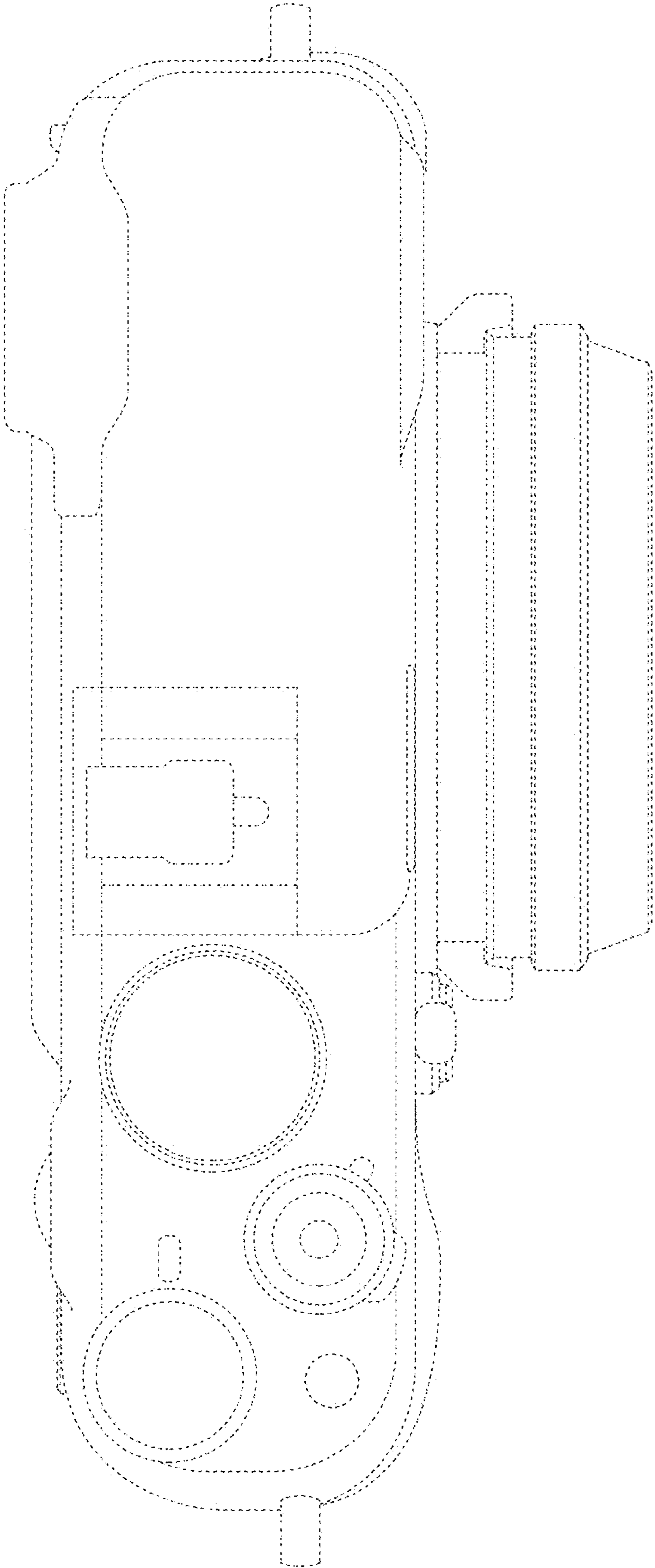


Fig. 9

