



US00D725124S

(12) **United States Design Patent**
Lin et al.

(10) **Patent No.:** **US D725,124 S**
(45) **Date of Patent:** **** Mar. 24, 2015**

(54) **DATA ACCESSING DEVICE**

(71) Applicant: **Kingston Digital, Inc.**, Fountain Valley, CA (US)

(72) Inventors: **Feng-Sheng Lin**, Hsinchu (TW); **Peter Leekuo Chou**, Fountain Valley, CA (US); **Yu-kuo Huang**, Hsinchu (TW)

(73) Assignee: **Kingston Digital, Inc.**, Fountain Valley, CA (US)

(**) Term: **14 Years**

(21) Appl. No.: **29/483,358**

(22) Filed: **Feb. 27, 2014**

(51) **LOC (10) Cl.** **14-02**

(52) **U.S. Cl.**
USPC **D14/480.6**

(58) **Field of Classification Search**
CPC H05K 5/0278; G06K 19/07732
USPC D14/411, 433, 435.1, 436, 480.1–480.7, D14/484.1, 137, 155, 203.1–203.8, 240, D14/242; D13/133, 154
See application file for complete search history.

(56) **References Cited**

U.S. PATENT DOCUMENTS

6,480,390	B2 *	11/2002	Matsumiya et al.	361/736
6,894,865	B2 *	5/2005	Chang et al.	360/97.11
D532,776	S *	11/2006	Griffin	D14/435.1
D586,809	S *	2/2009	Jones et al.	D14/435.1
D606,077	S *	12/2009	Hu et al.	D14/480.1
D612,384	S *	3/2010	Kim et al.	D14/435.1
D629,805	S *	12/2010	Nysen et al.	D14/433
8,251,719	B1 *	8/2012	Pan et al.	439/142
D667,832	S *	9/2012	Zhou	D14/480.6
D668,258	S *	10/2012	Lee et al.	D14/480.1
D671,499	S *	11/2012	Su	D13/147
D672,315	S *	12/2012	Naito	D13/147

(Continued)

OTHER PUBLICATIONS

USB Drives for personal and business use | Kingston, [online], [retrieved on Oct. 15, 2014]. Retrieved from the Internet <URL: http://www.kingston.com/us/usb/personal_business#DTDUO>.*

(Continued)

Primary Examiner — Karen E Kearney

(74) *Attorney, Agent, or Firm* — Skaar Ulbrich Macari, P.A.

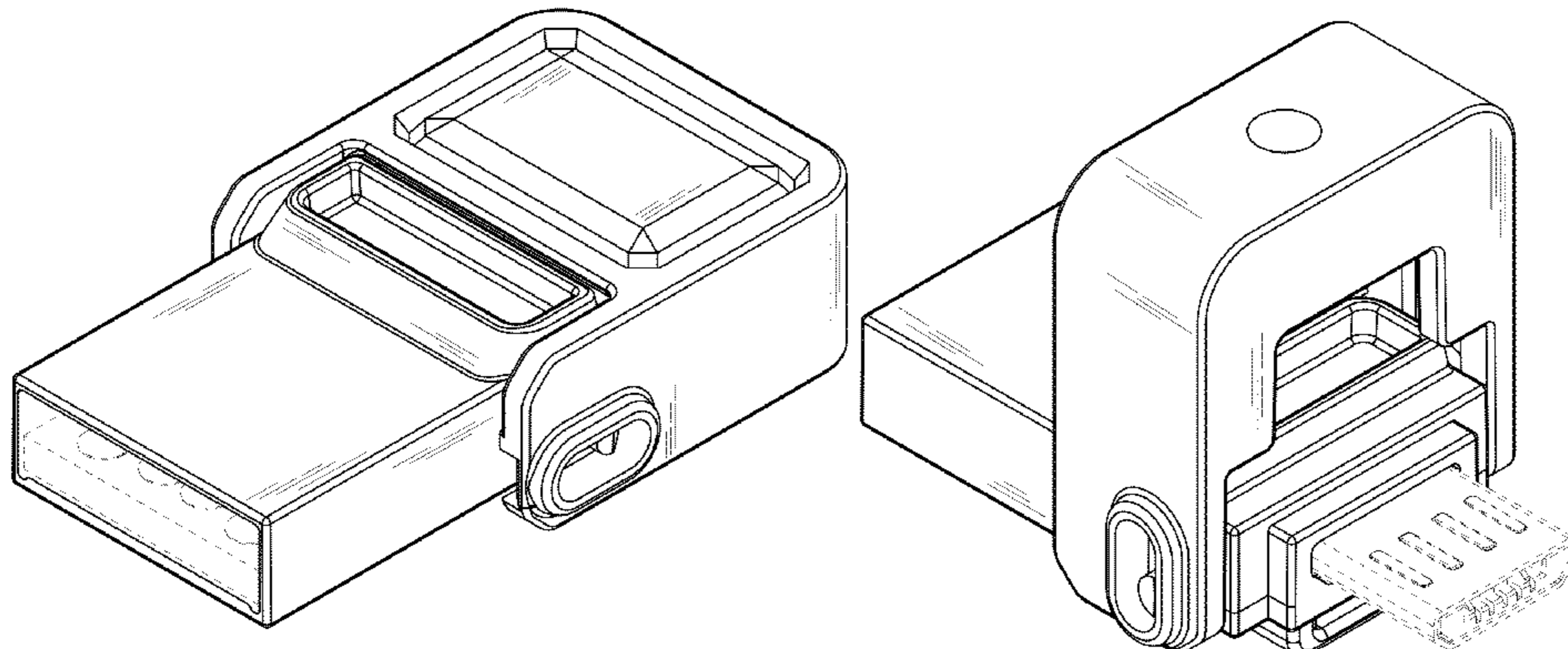
(57) **CLAIM**

We claim the ornamental design for a data accessing device, as shown and described.

DESCRIPTION

FIG. 1 is a perspective view of a data accessing device showing the claimed design;
FIG. 2 is a front elevational view of FIG. 1;
FIG. 3 is a rear elevational view of FIG. 1;
FIG. 4 is a left side elevational view of FIG. 1;
FIG. 5 is a right side elevational view of FIG. 1;
FIG. 6 is a top plan view of FIG. 1;
FIG. 7 is a bottom plan view of FIG. 1;
FIG. 8 is perspective view of showing that the data accessing device is in a usage state;
FIG. 9 is another perspective view of FIG. 8;
FIG. 10 is a front elevational view of FIG. 8;
FIG. 11 is a rear elevational view of FIG. 8;
FIG. 12 is a left side elevational view of FIG. 8;
FIG. 13 is a right side elevational view of FIG. 8;
FIG. 14 is a top plan view of FIG. 8; and,
FIG. 15 is a bottom plan view of FIG. 8.
The broken lines are directed to environment and are provided for illustrative purpose only; the broken lines form no part of the claimed design.

1 Claim, 8 Drawing Sheets



(56)

References Cited

U.S. PATENT DOCUMENTS

D692,427 S * 10/2013 Janson D14/388
D712,414 S * 9/2014 Tsai et al. D14/480.6
2010/0265649 A1* 10/2010 Singh et al. 361/679.32

OTHER PUBLICATIONS

USB Drives for personal and business use | Kingston: DataTraveler
microDuo 3.0, [online], [retrieved on Oct. 15, 2014]. Retrieved from

the Internet <URL: http://www.kingston.com/us/usb/personal_business#DTDUO3>.*

PQI unveils upcoming micro-USB OTG drives and accessories, Web
Archive [online] Jun. 9, 2013 [retrieved on Apr. 18, 2014]. Retrieved
from the Internet <URL: <https://web.archive.org/web/20130612165707/http://www.engadget.com/2013/06/09/pqi-connect-micro-usb-otg-drive>>.*

* cited by examiner

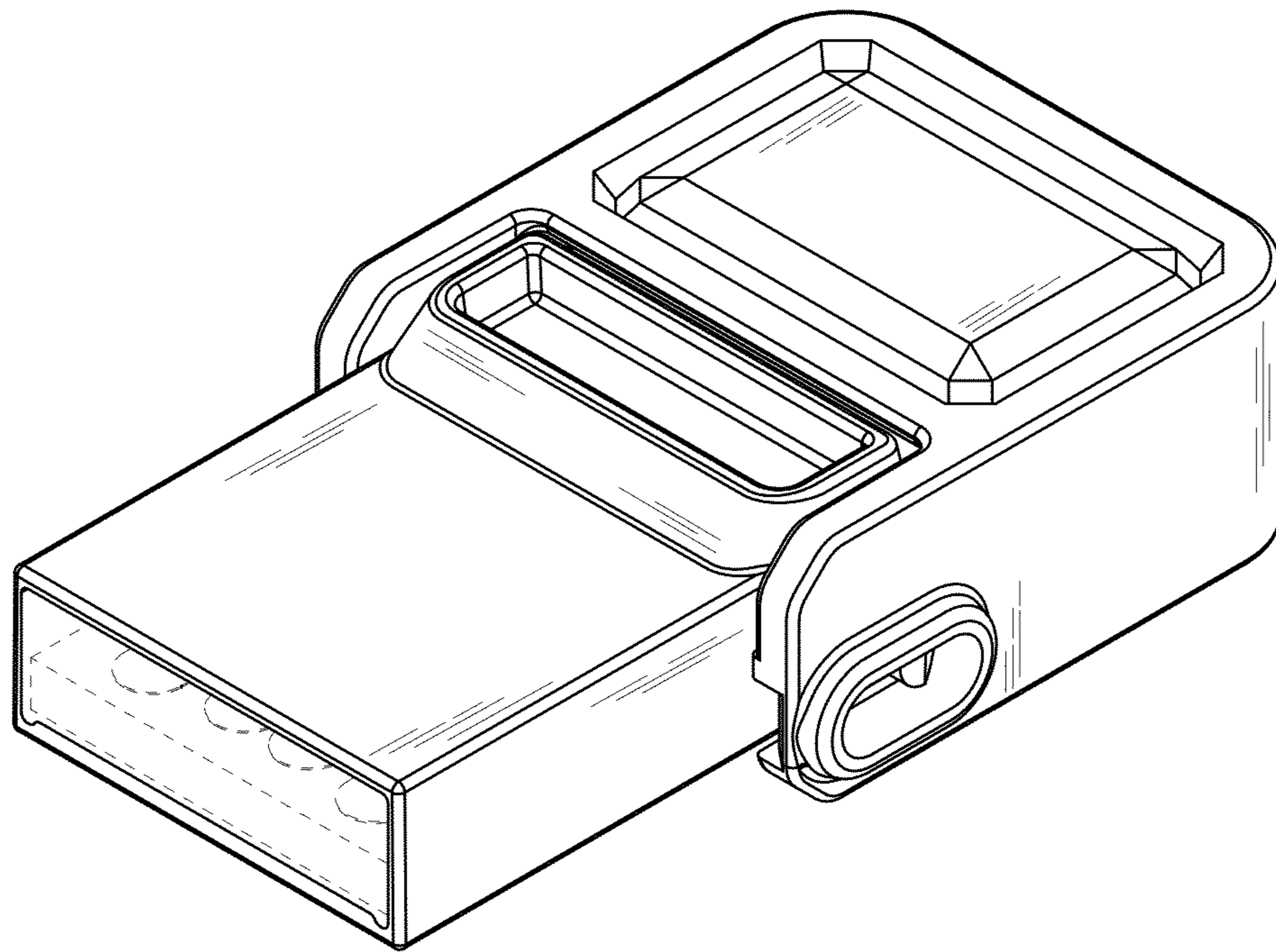


FIG. 1

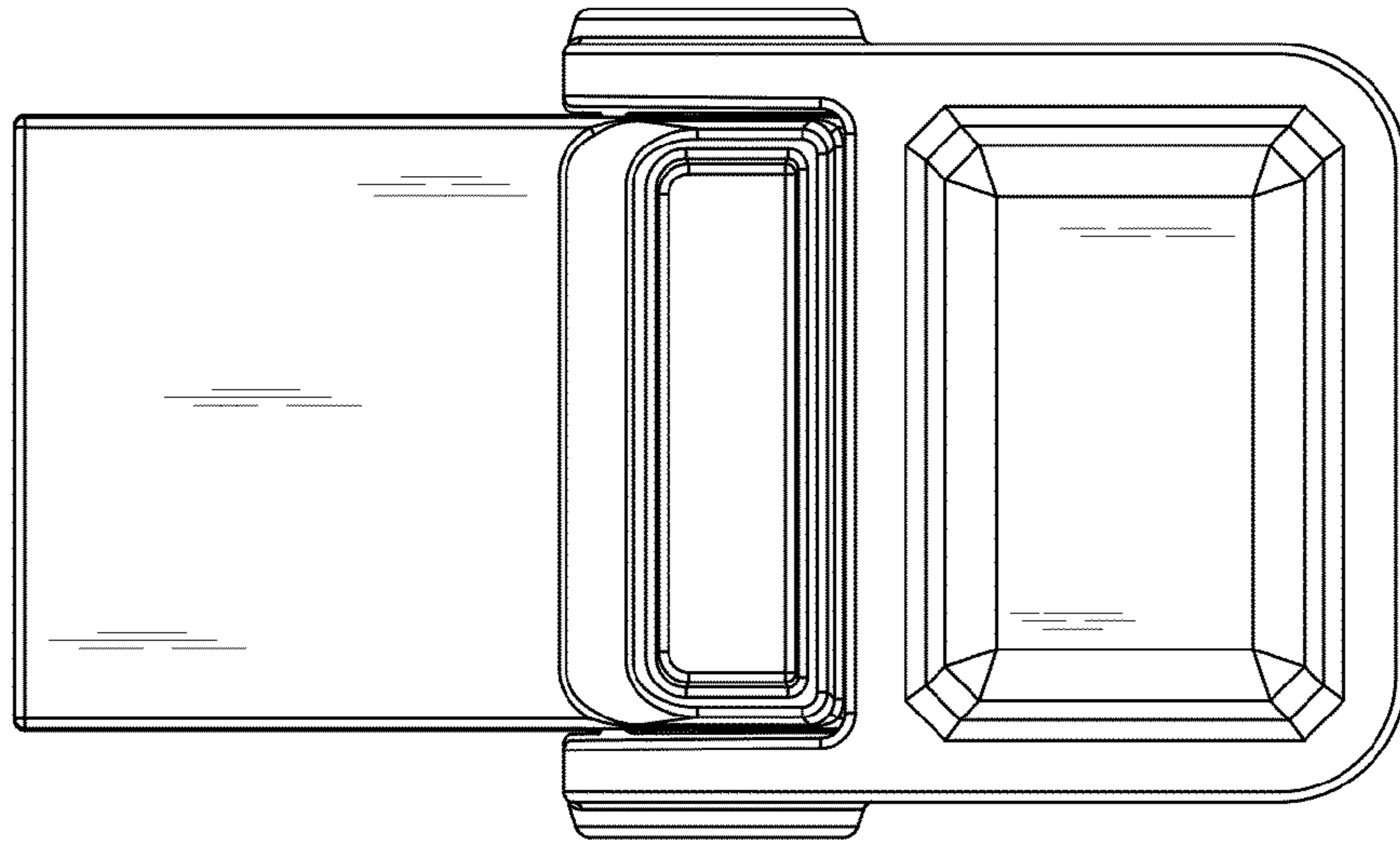


FIG. 2

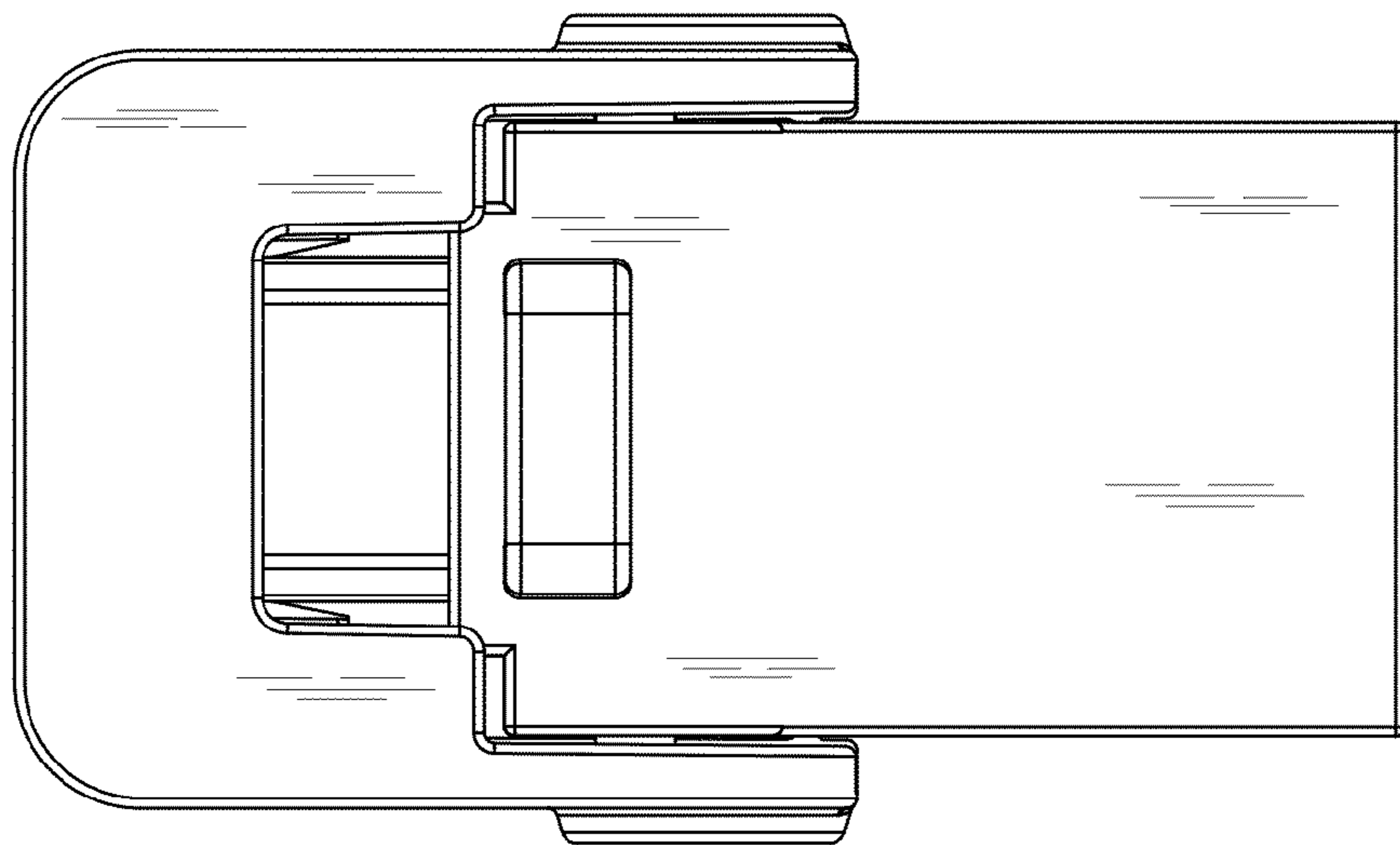


FIG. 3

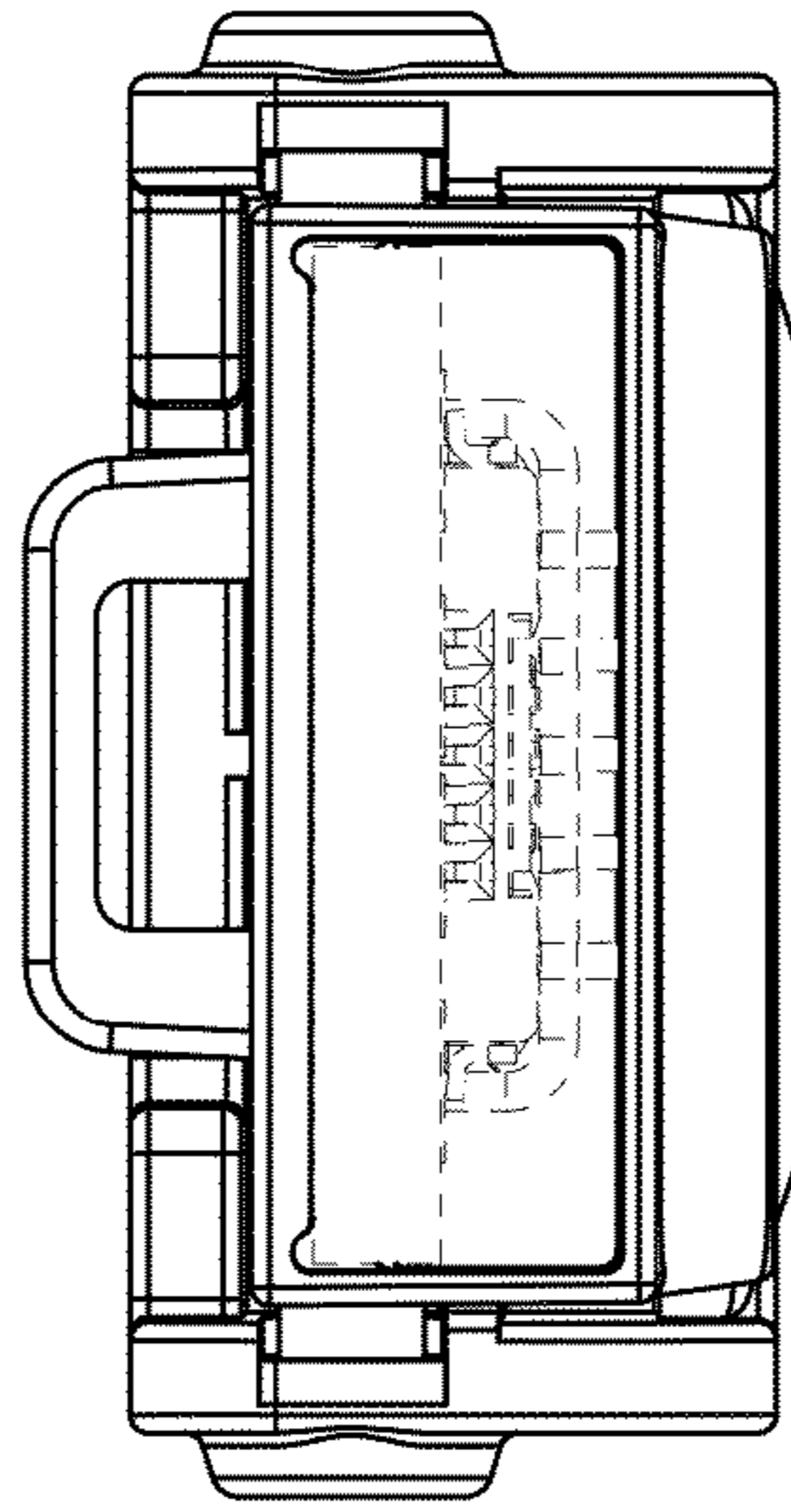


FIG.4

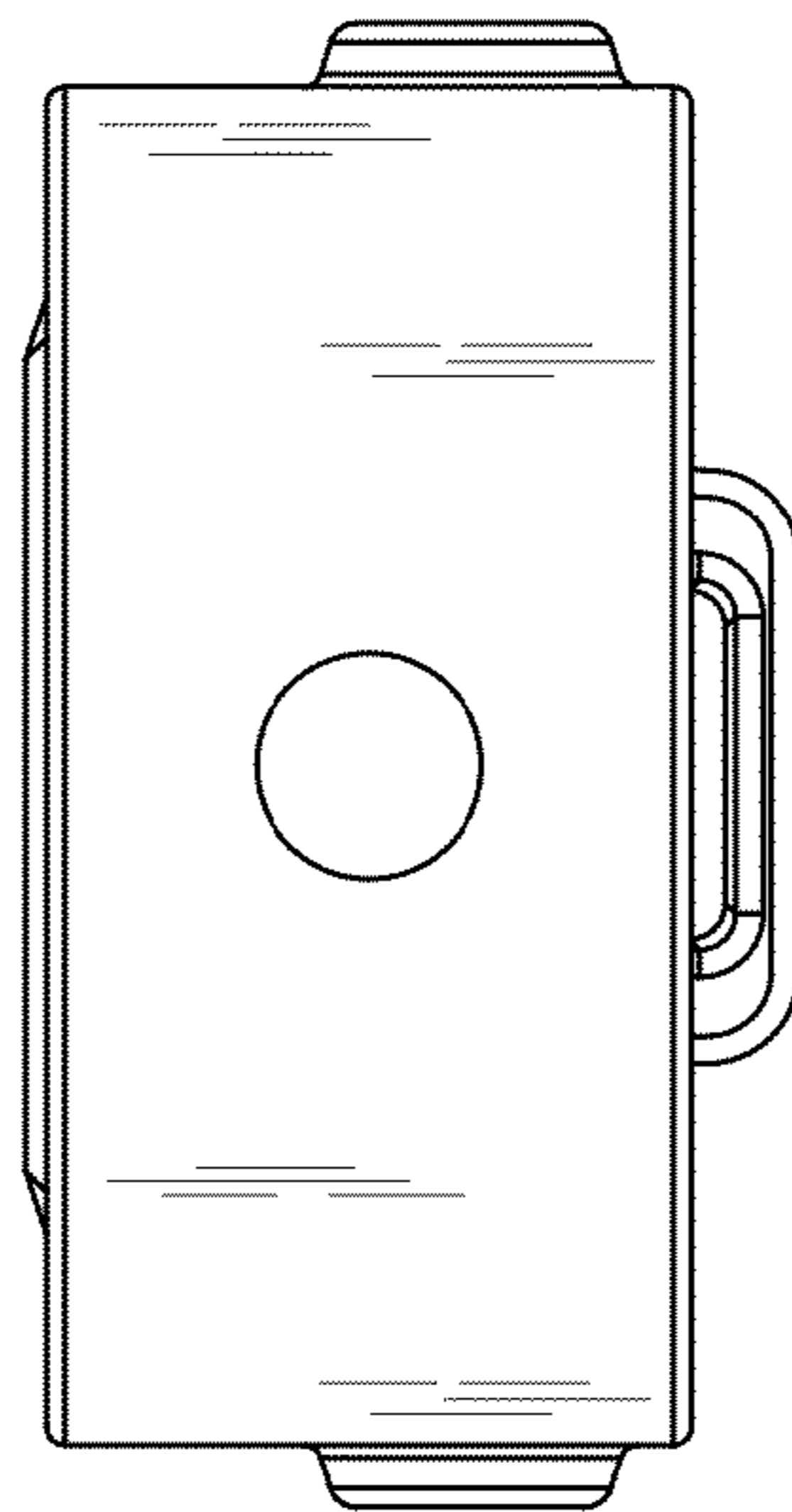


FIG.5

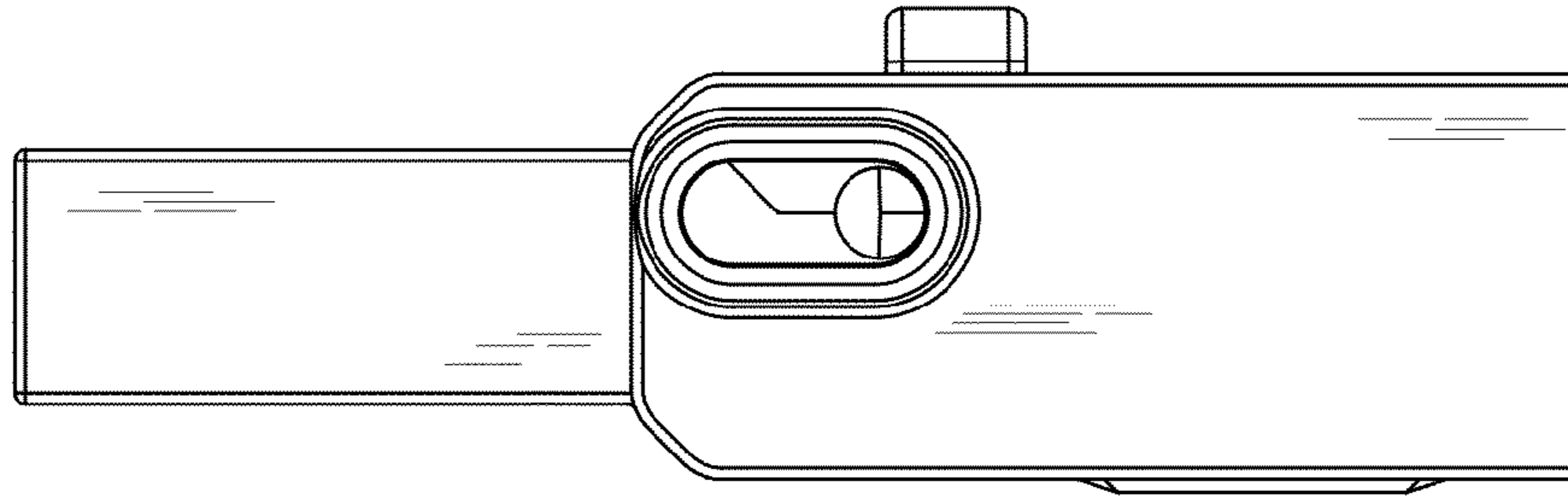


FIG. 6

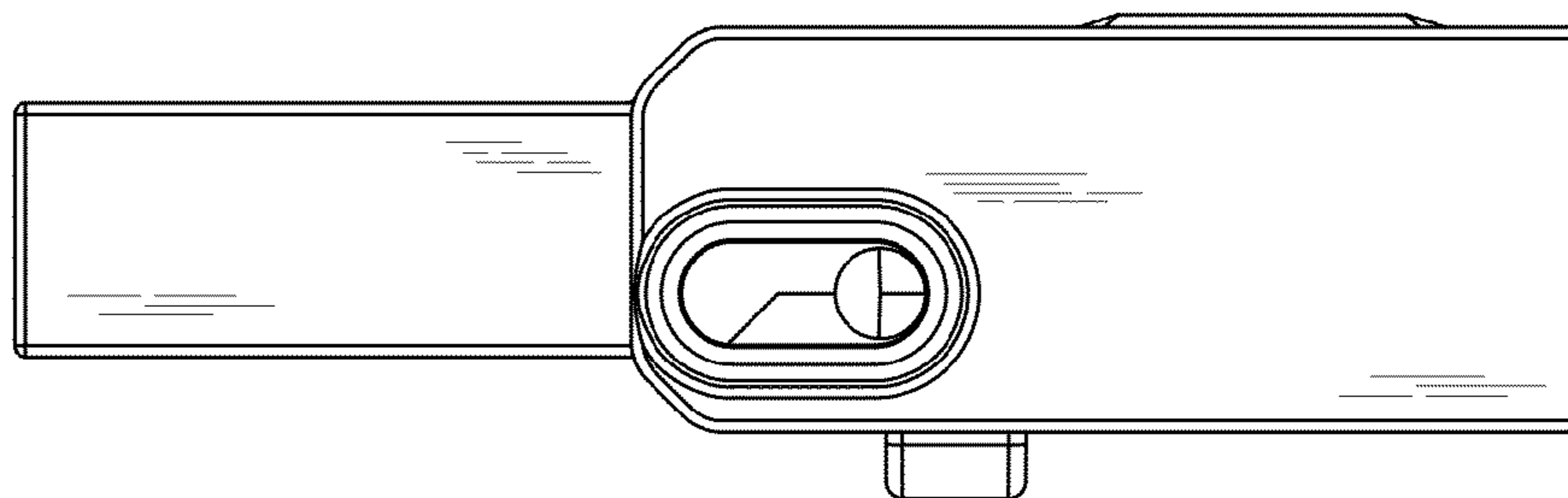


FIG. 7

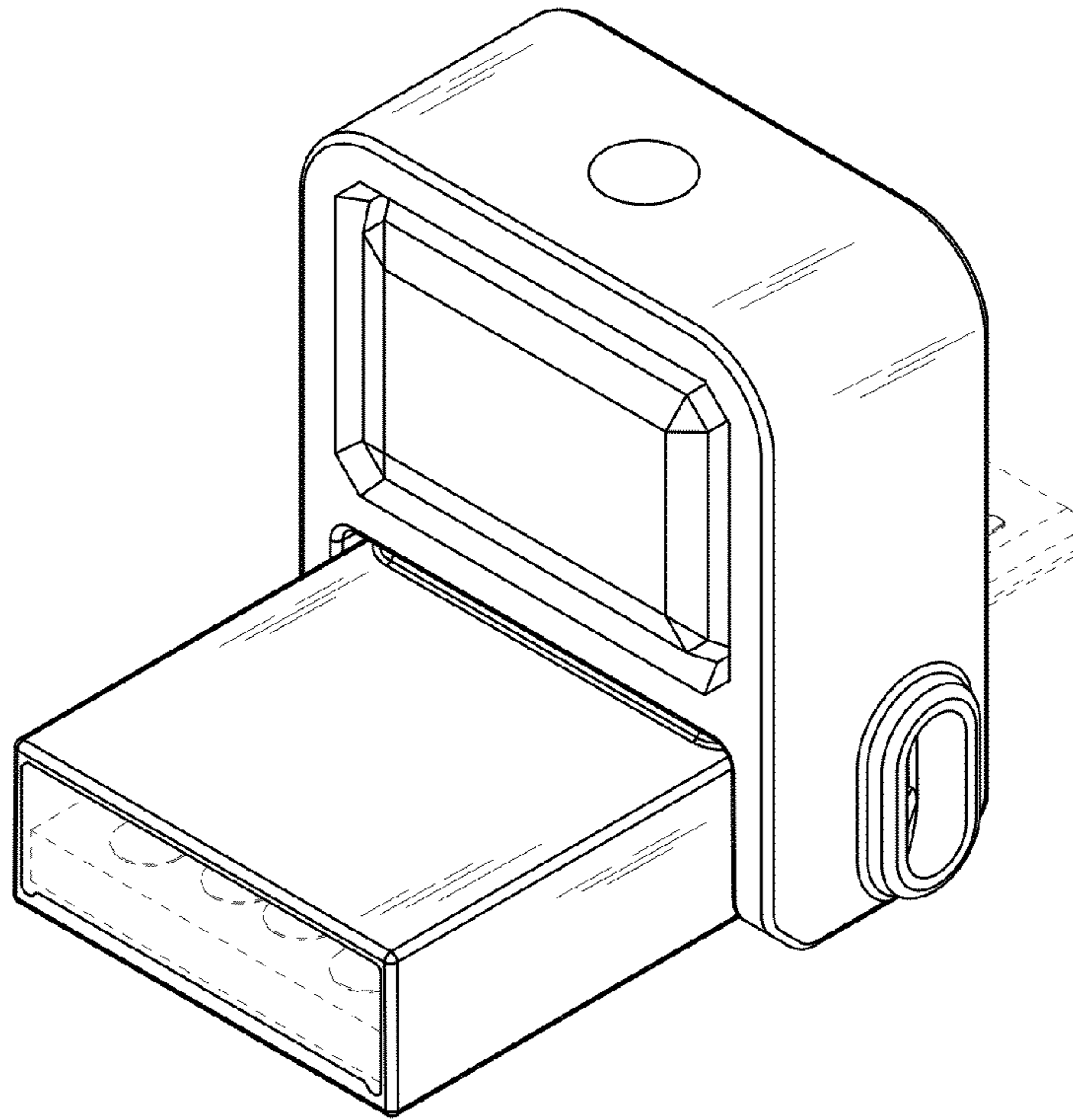


FIG. 8

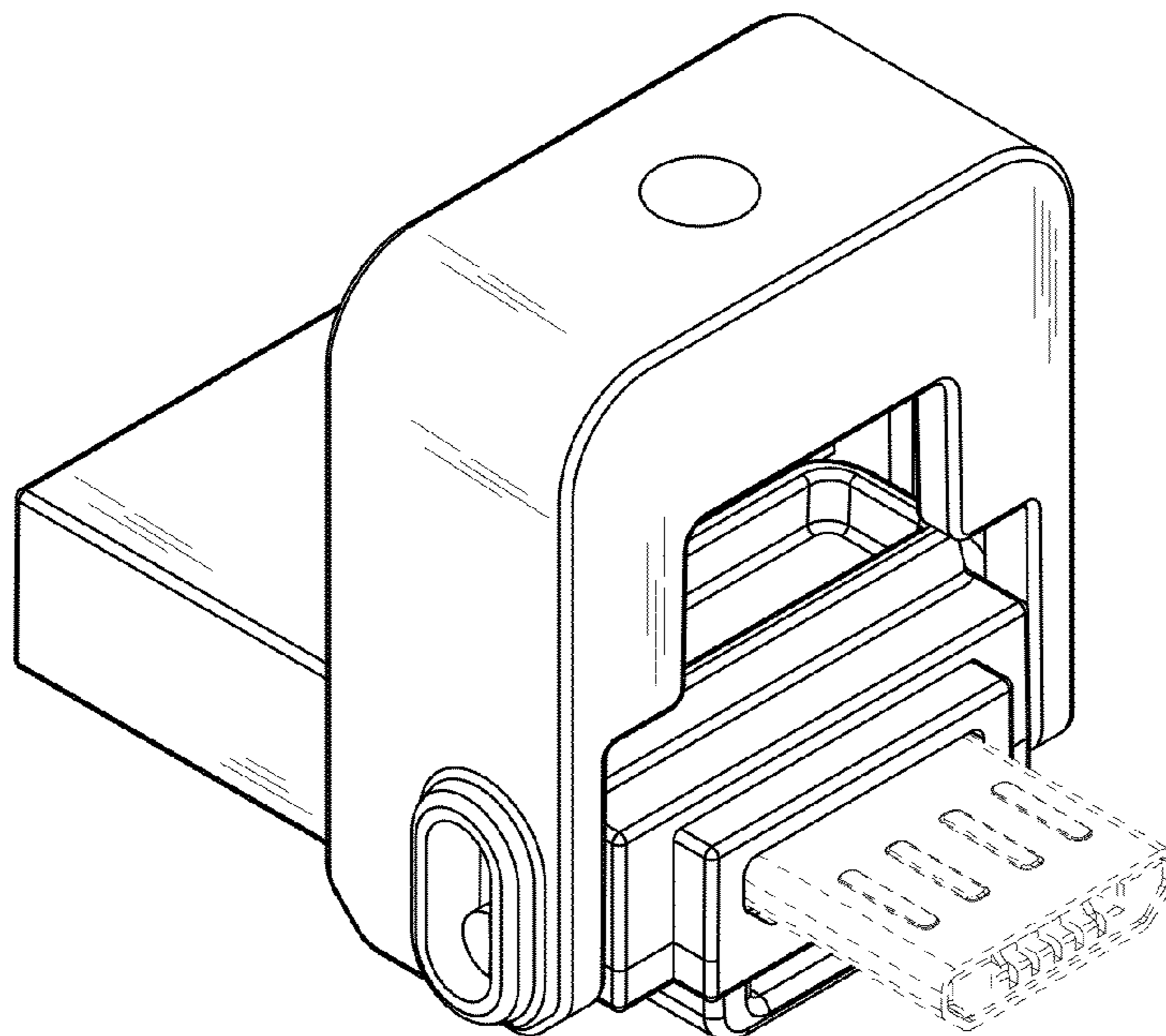


FIG. 9

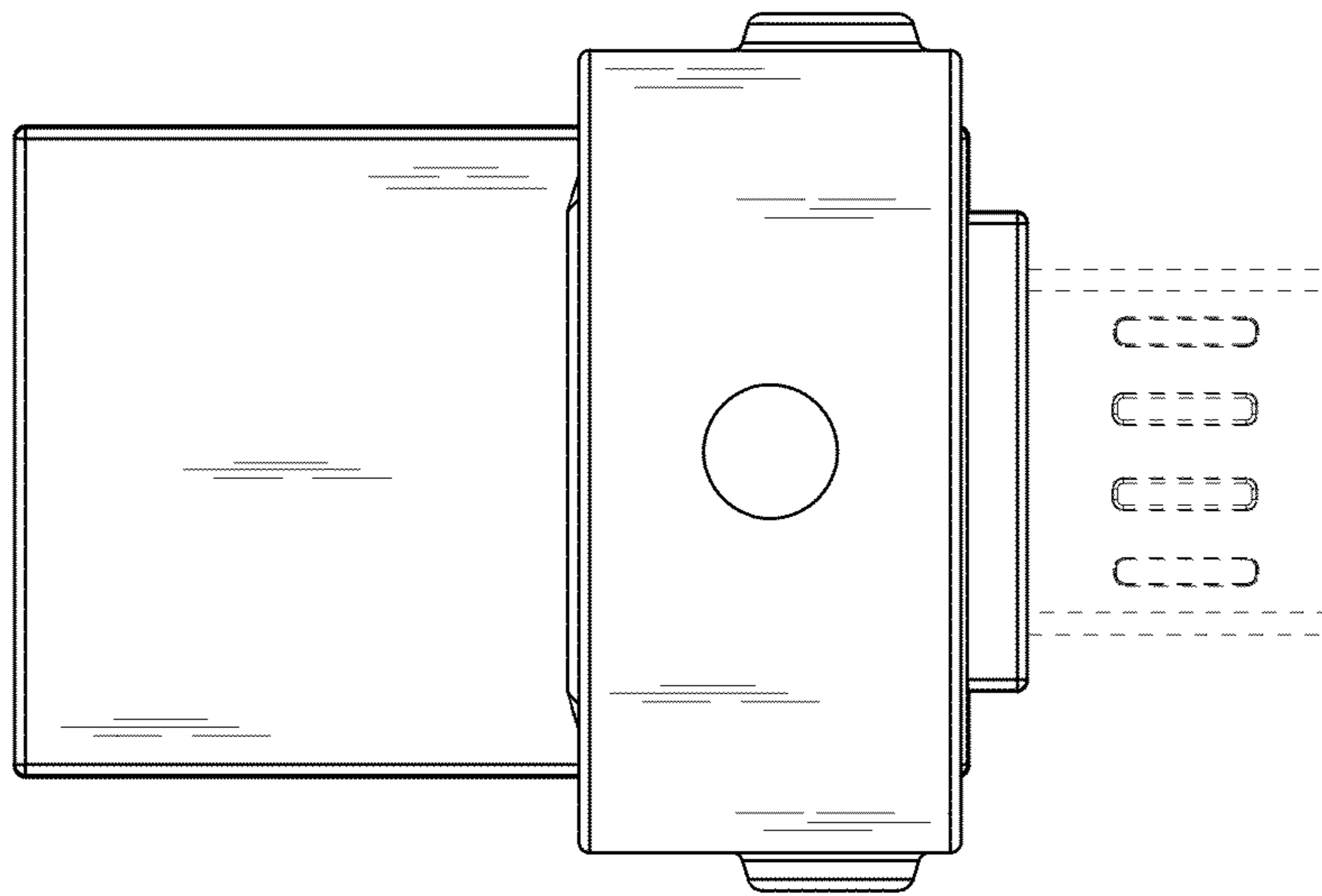


FIG. 10

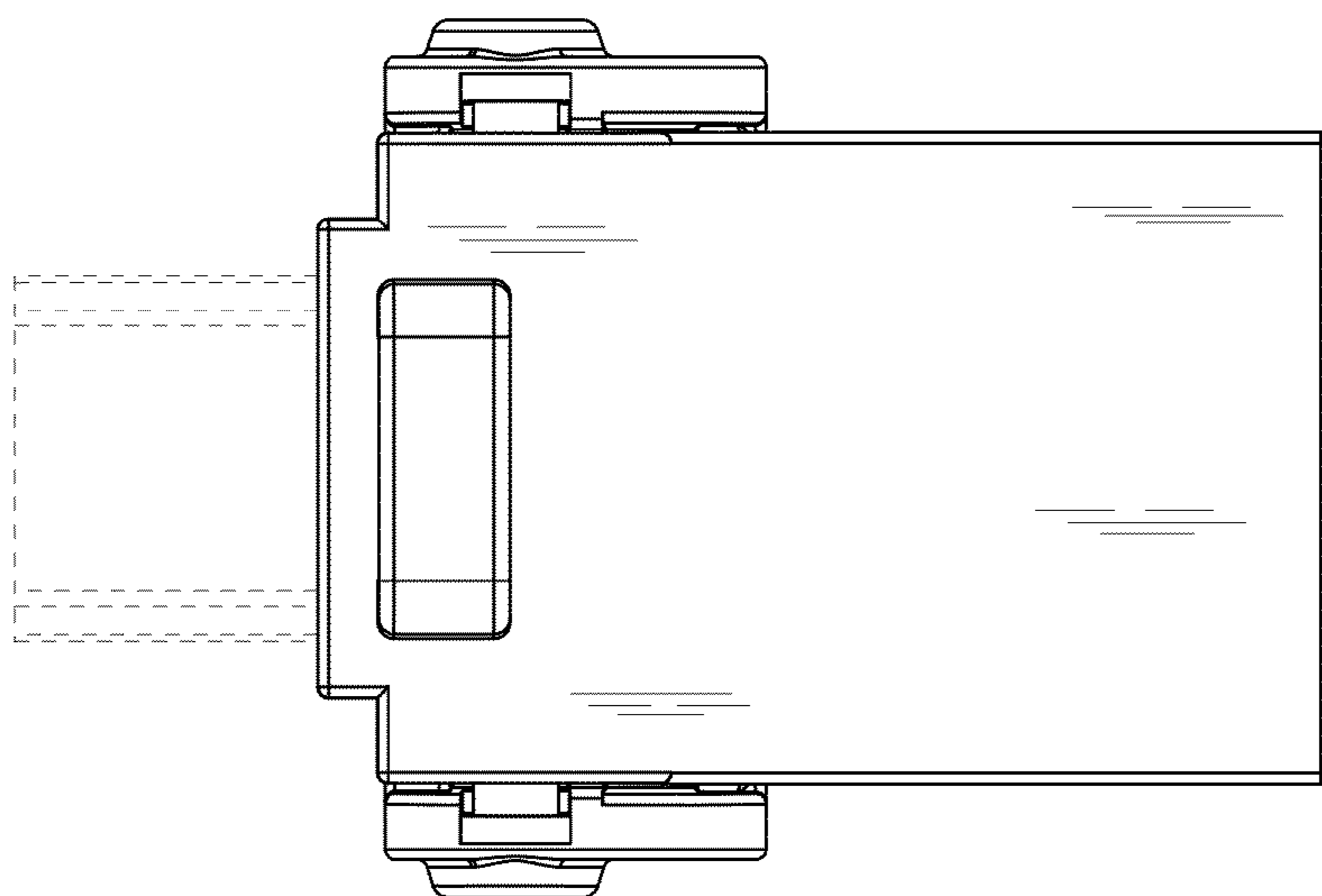


FIG. 11

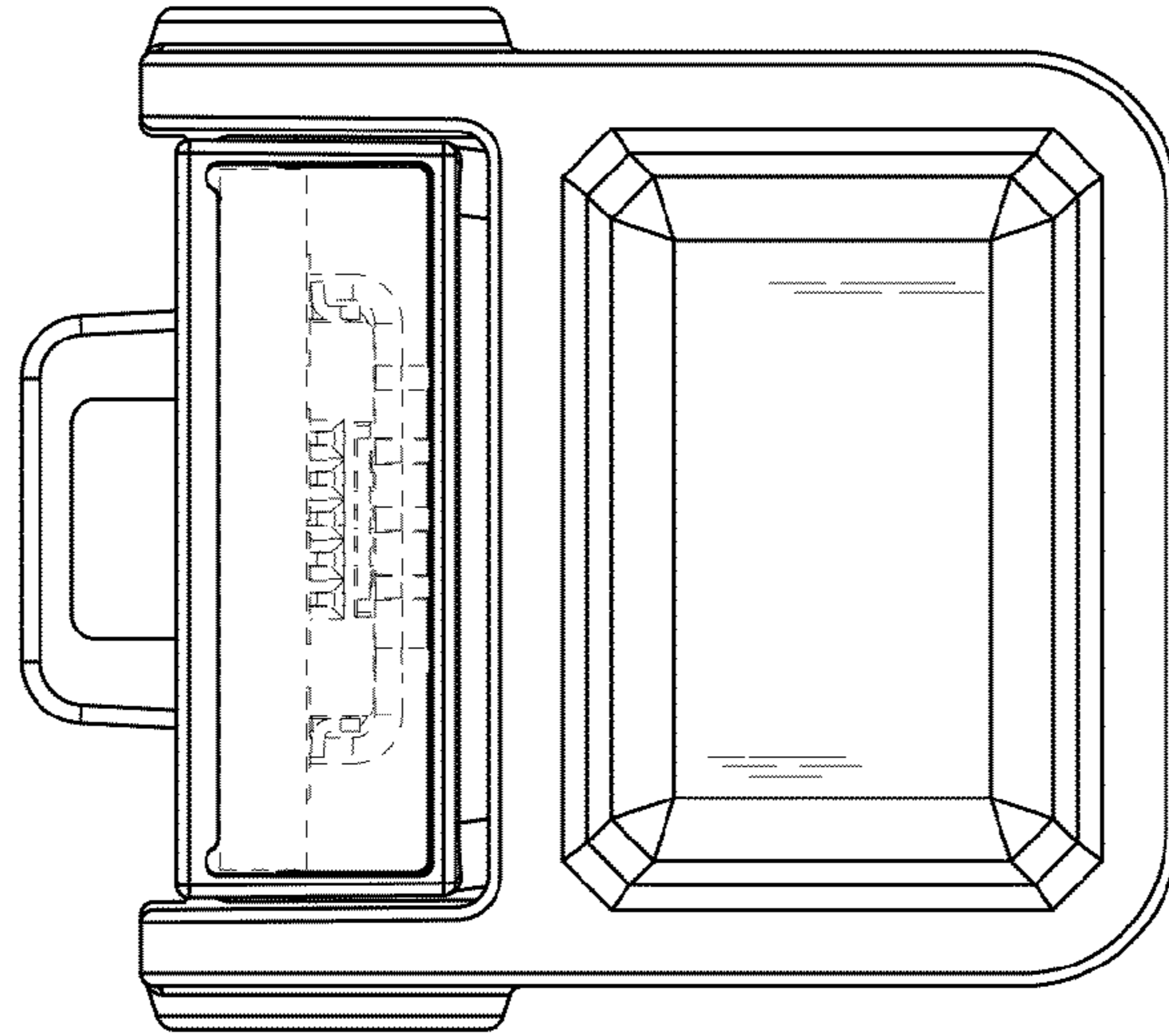


FIG. 12

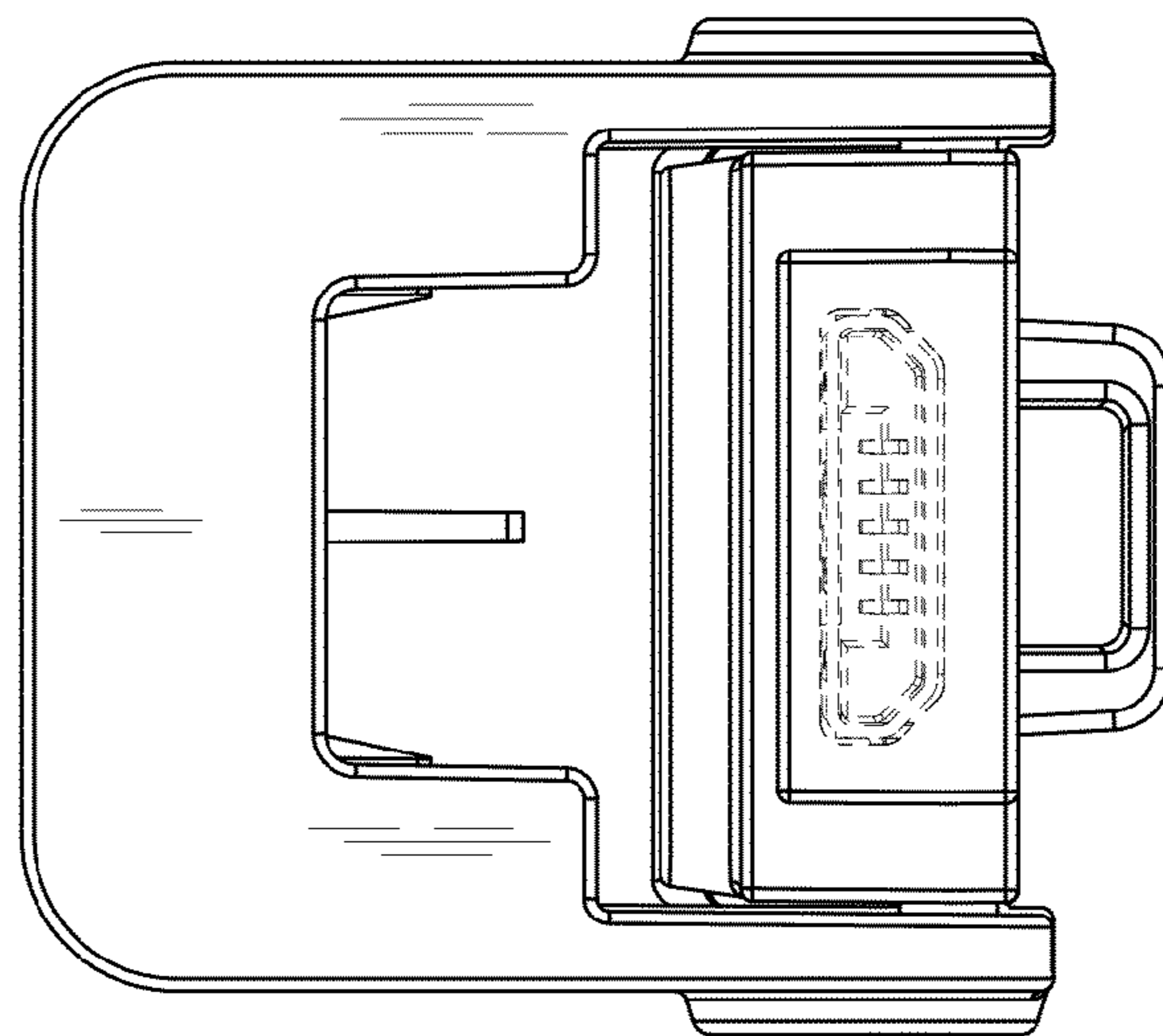


FIG. 13

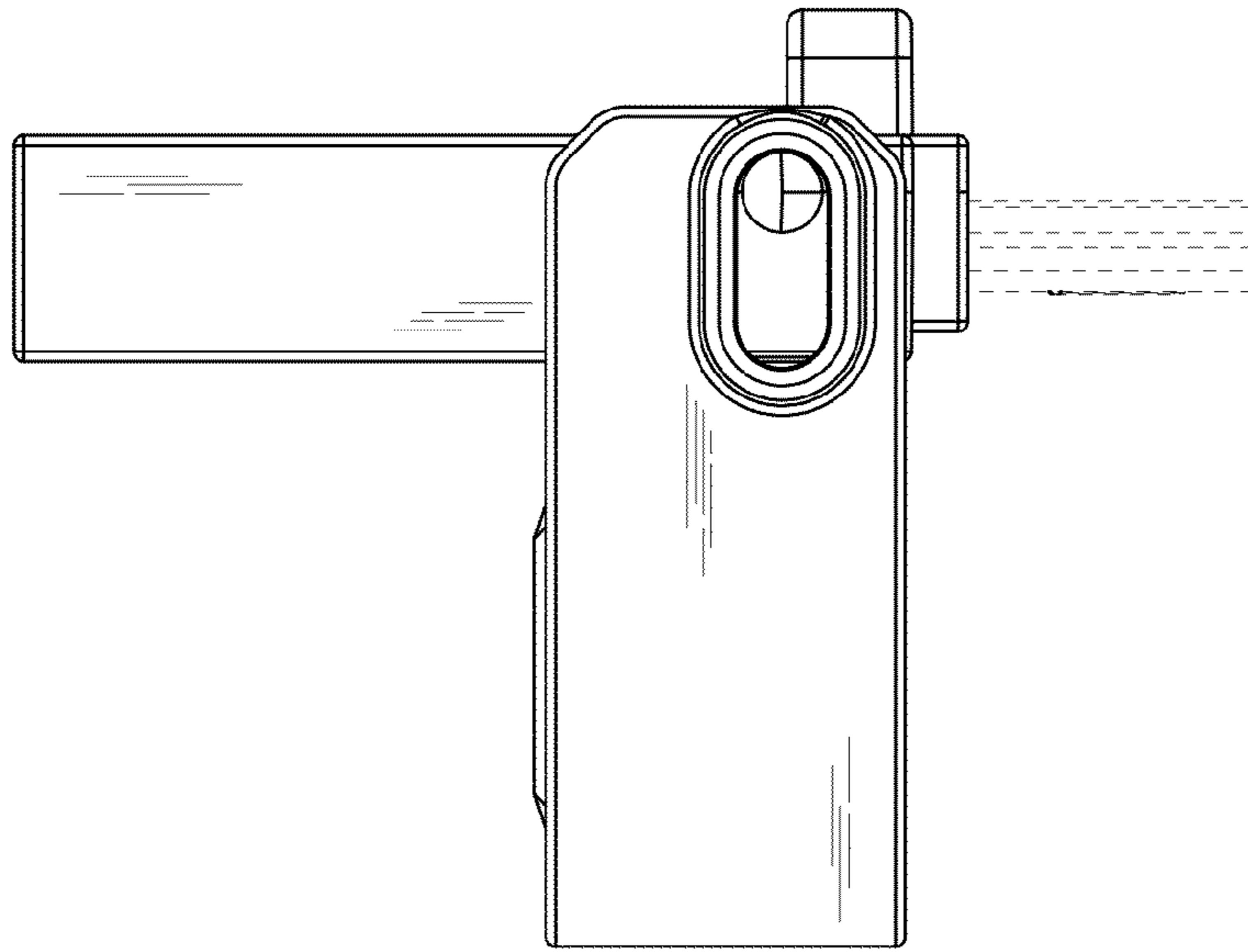


FIG. 14

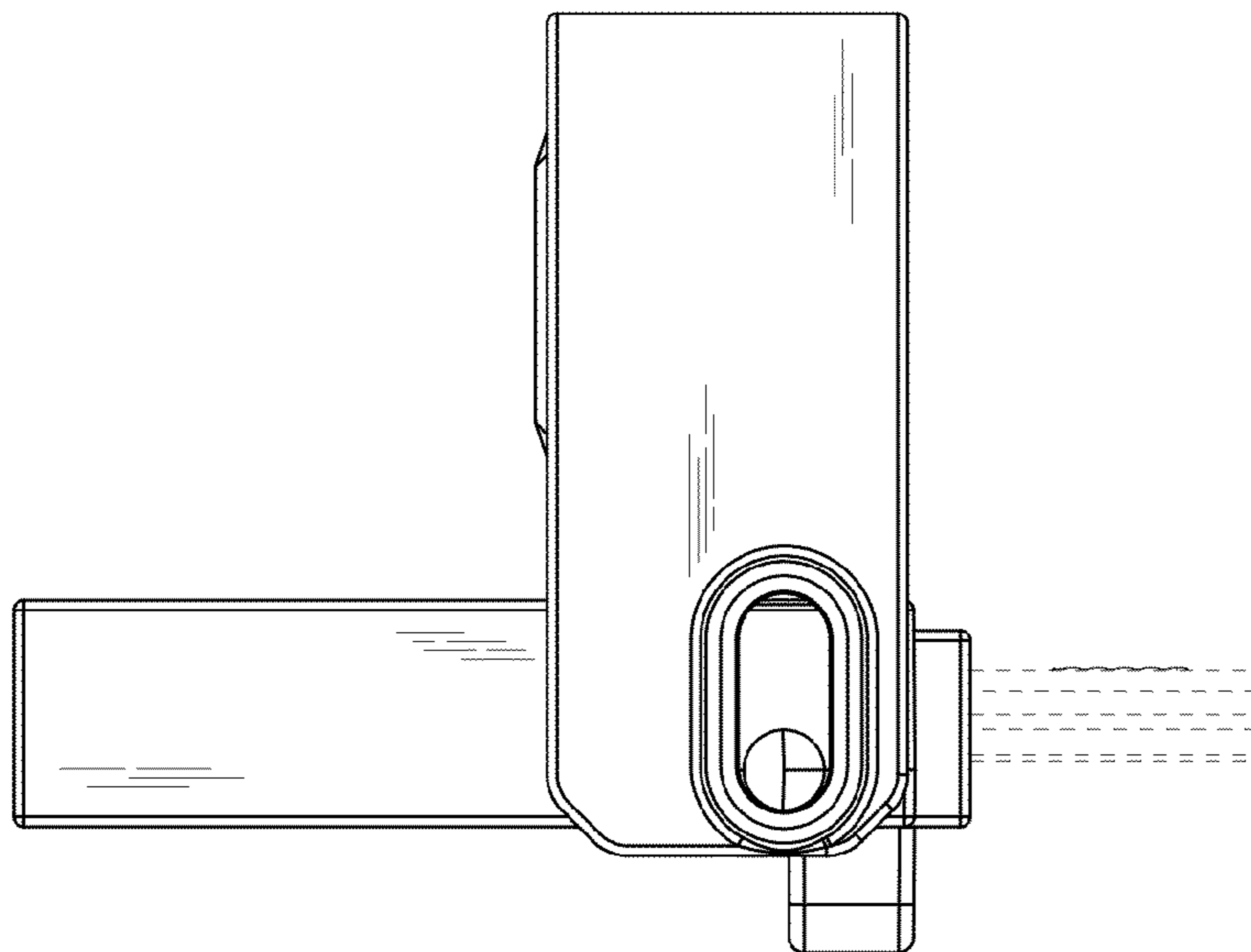


FIG. 15