



US00D725123S

(12) **United States Design Patent**
Lin et al.

(10) **Patent No.:** **US D725,123 S**
(45) **Date of Patent:** **** Mar. 24, 2015**

(54) **DATA ACCESSING DEVICE**

(71) Applicant: **Kingston Digital, Inc.**, Fountain Valley, CA (US)

(72) Inventors: **Yi-Ting Lin**, Hsinchu (TW); **Peter Leekuo Chou**, Fountain Valley, CA (US); **Yu-kuo Huang**, Hsinchu (TW)

(73) Assignee: **Kingston Digital, Inc.**, Fountain Valley, CA (US)

(**) Term: **14 Years**

(21) Appl. No.: **29/495,107**

(22) Filed: **Jun. 27, 2014**

(51) **LOC (10) Cl.** **14-02**

(52) **U.S. Cl.**
USPC **D14/480.5**

(58) **Field of Classification Search**
CPC H05K 5/0278; G06K 19/07732
USPC D14/411, 433, 435.1, 436, 480.1–480.7, D14/484.1, 137, 155, 203.1–203.8, 240, D14/242; D13/133, 154
See application file for complete search history.

(56) **References Cited**

U.S. PATENT DOCUMENTS

D468,090	S	*	1/2003	Tirosh	D14/480.5
D492,307	S	*	6/2004	Aqqad et al.	D14/480.5
D513,613	S	*	1/2006	Lim	D14/480.1
D573,577	S	*	7/2008	Huang	D14/155
D602,941	S	*	10/2009	Lo	D14/480.7
D624,925	S	*	10/2010	Lu	D14/480.7
D648,730	S	*	11/2011	Huang	D14/480.5
D656,149	S	*	3/2012	Schlossstein	D14/480.7
D660,858	S	*	5/2012	Schlossstein	D14/480.7
D673,164	S	*	12/2012	Lin et al.	D14/480.5

D689,503	S	*	9/2013	Wu	D14/480.5
2008/0064265	A1	*	3/2008	Sterling et al.	439/660
2013/0308288	A1	*	11/2013	Li et al.	361/807

OTHER PUBLICATIONS

mTrust Ready USB drives, [online], [retrieved on Jan. 22, 2007]. Retrieved from the Internet <URL: <http://www.m-systems.com/mtrust>>.*

8GB Store 'n' Go® USB Drive for Mac OS X, [online], [retrieved on Feb. 13, 2010]. Retrieved from the Internet <URL: http://www.verbatim.com/products/detail.cfm?product_id=421B6630-1143-3415-5F9B7BB7DF4589DD&cat_id=428B2185-1143-3415-5FFB956D967105D2>.*

* cited by examiner

Primary Examiner — Karen E Kearney

(74) *Attorney, Agent, or Firm* — Skaar Ulbrich Macari, P.A.

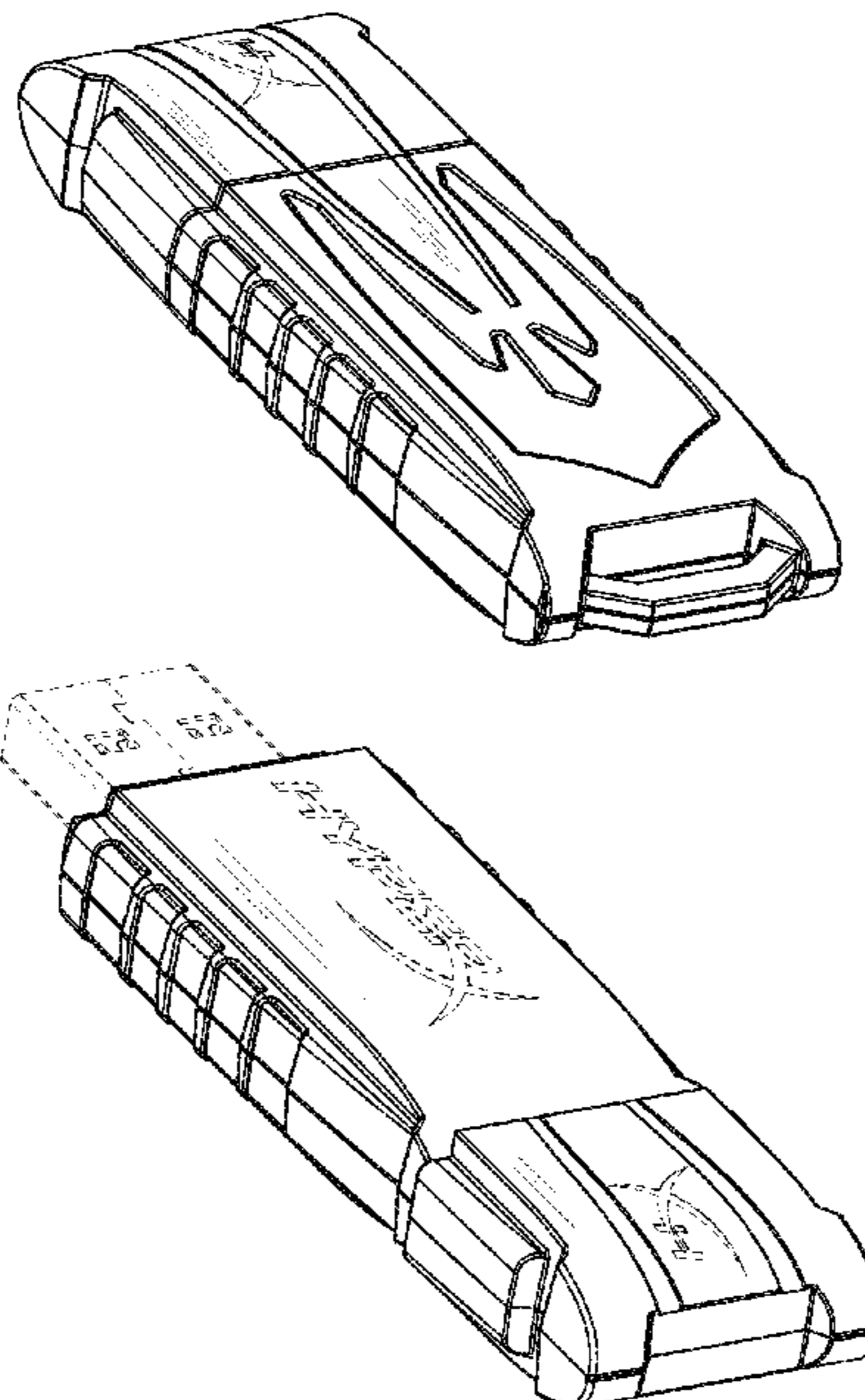
(57) **CLAIM**

We claim the ornamental design for a data accessing device, as shown and described.

DESCRIPTION

FIG. 1 is a perspective view of a data accessing device showing the claimed design;
FIG. 2 is another perspective view of FIG. 1;
FIG. 3 is a front elevational view of FIG. 1;
FIG. 4 is a rear elevational view of FIG. 1;
FIG. 5 is a left side elevational of FIG. 1;
FIG. 6 is a right side elevational of FIG. 1;
FIG. 7 is a top plan view of FIG. 1;
FIG. 8 is a bottom plan view of FIG. 1;
FIG. 9 is a perspective view showing the data accessing device in a usage state; and,
FIG. 10 is another perspective view of FIG. 9.
The broken lines are directed to environment and are provided for illustrative purpose only; the broken lines form no part of the claimed design.

1 Claim, 7 Drawing Sheets



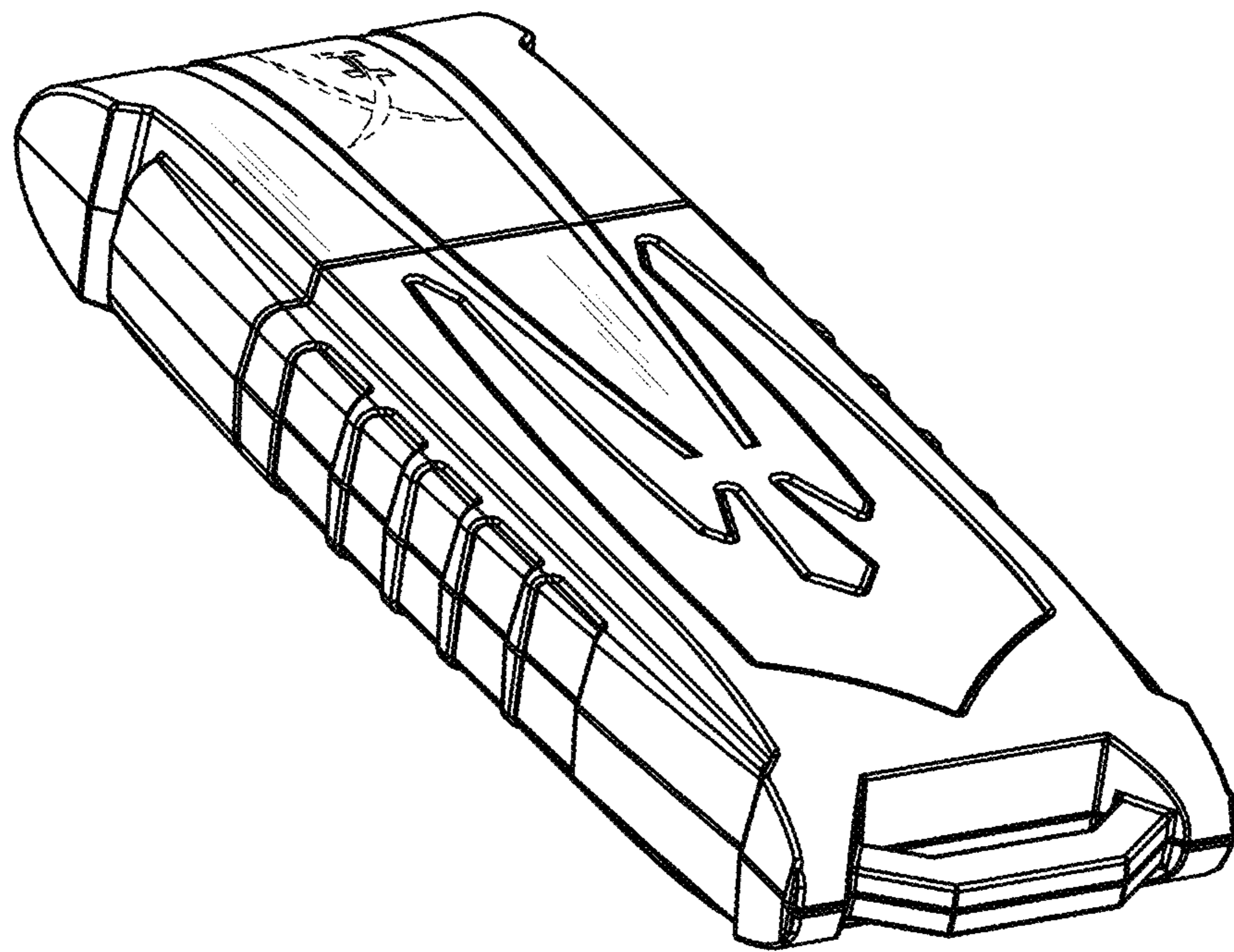


FIG. 1

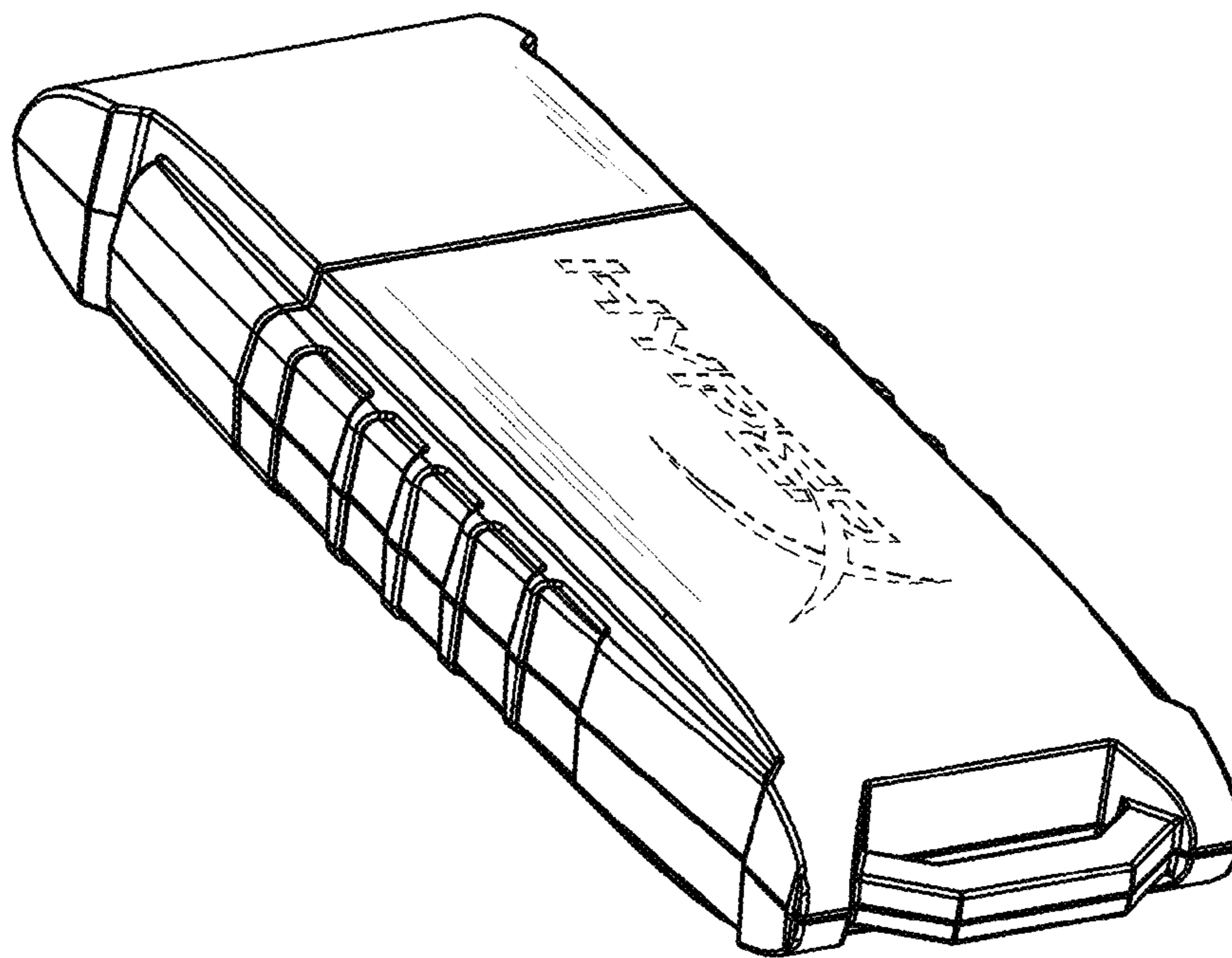


FIG. 2

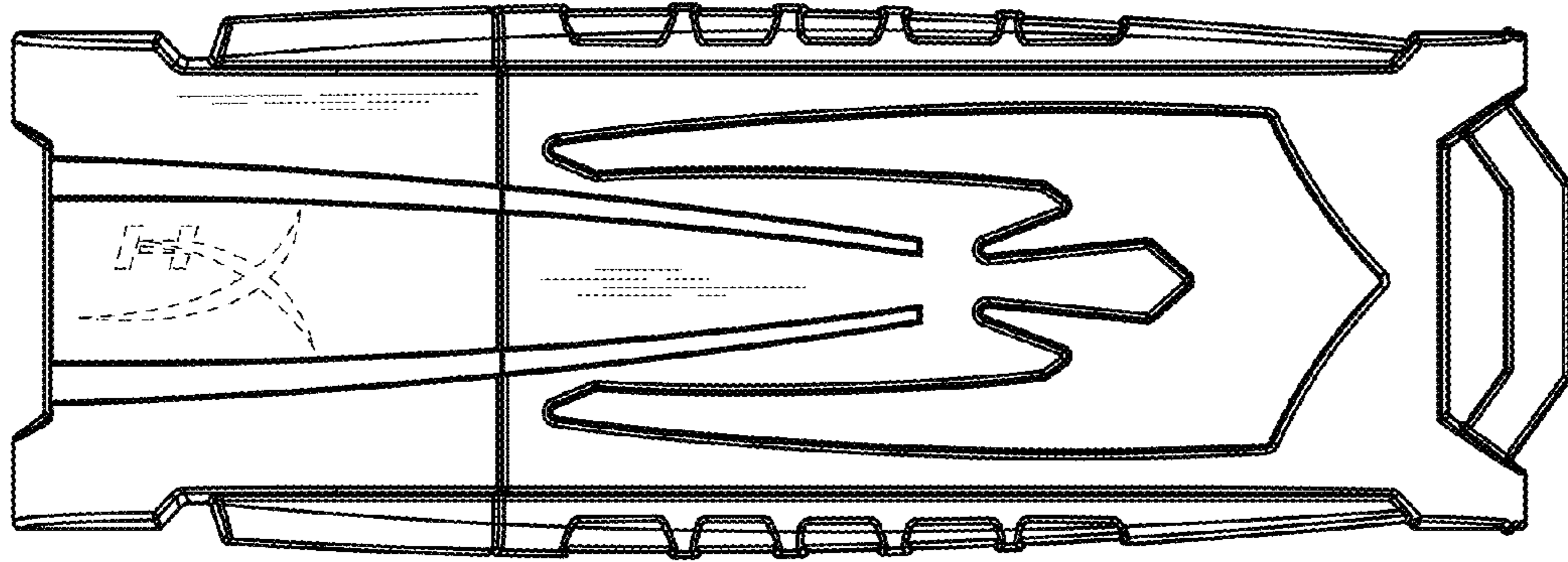


FIG. 3

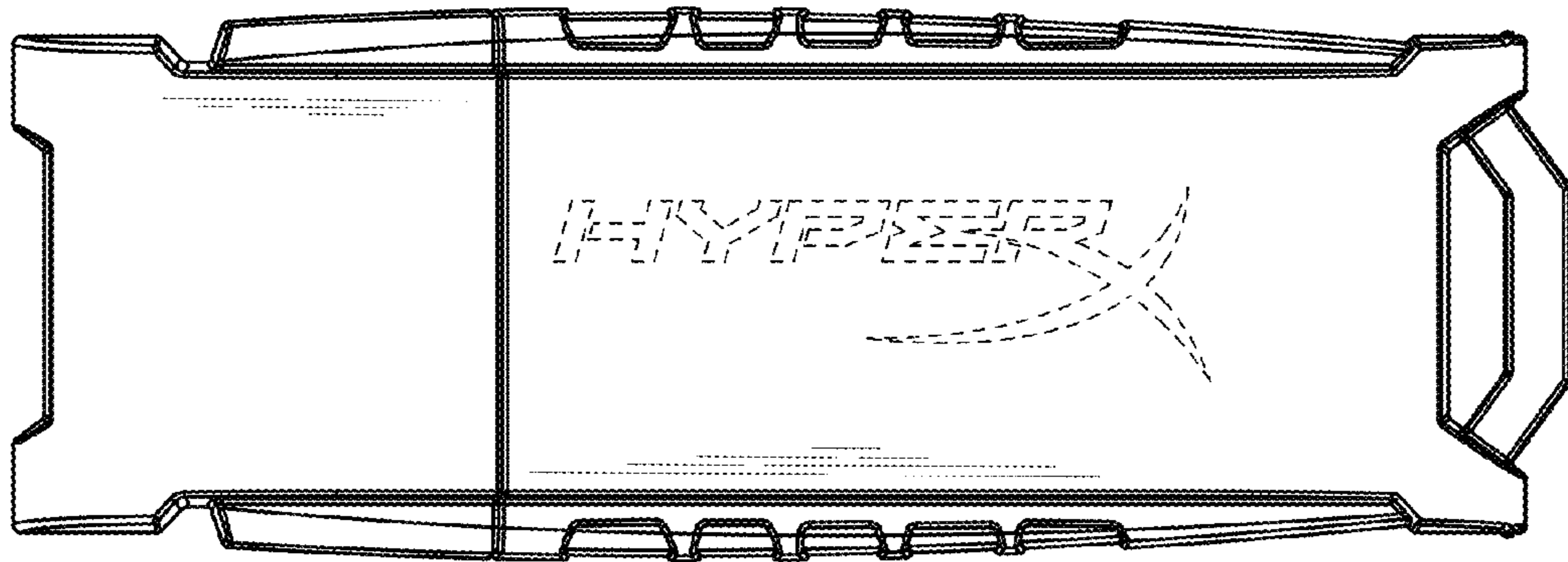


FIG. 4

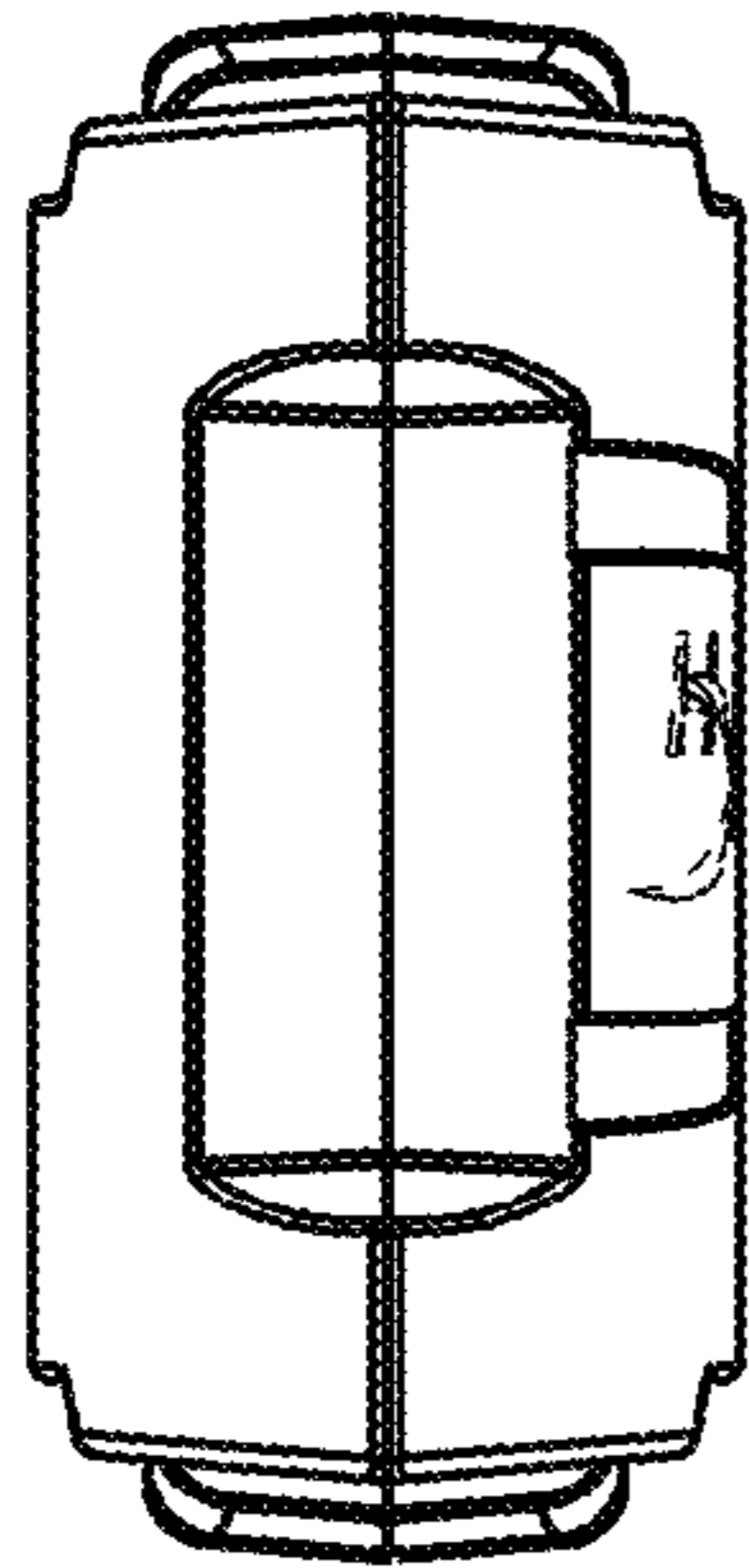


FIG. 5

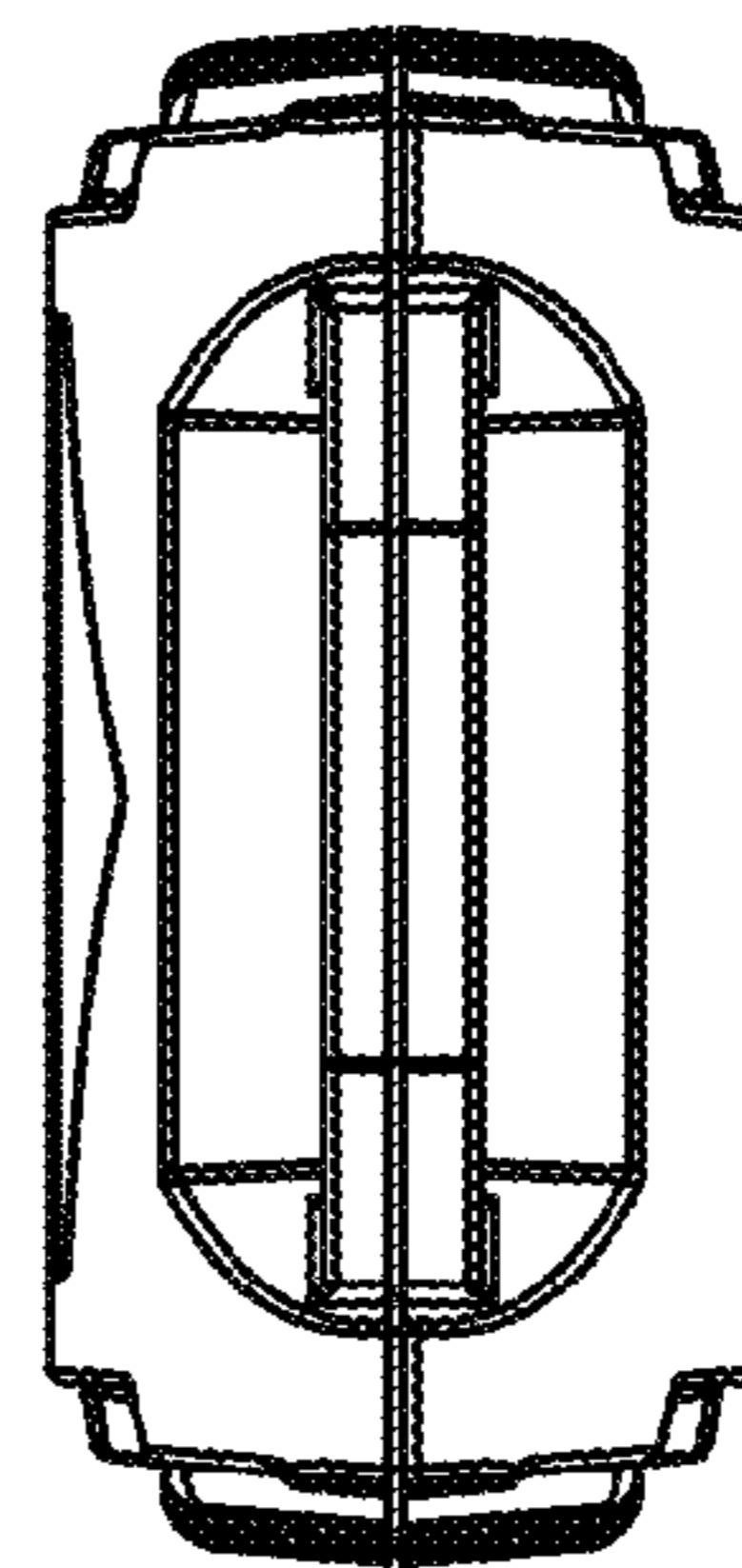


FIG. 6

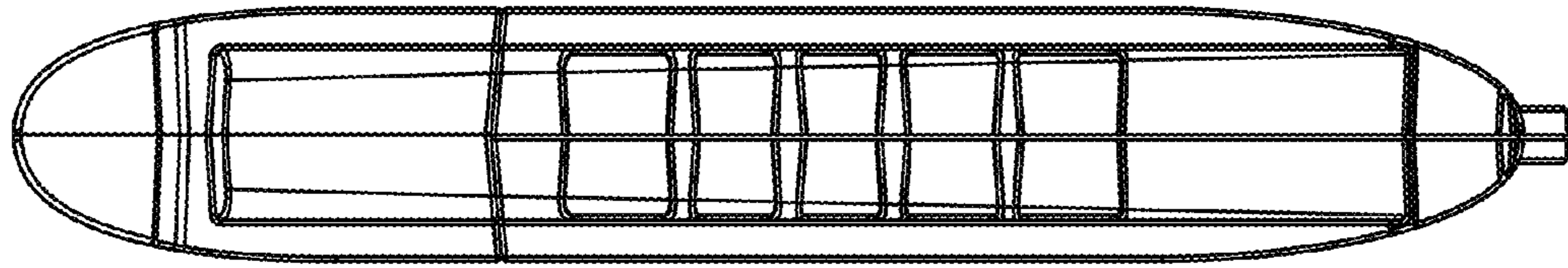


FIG. 7

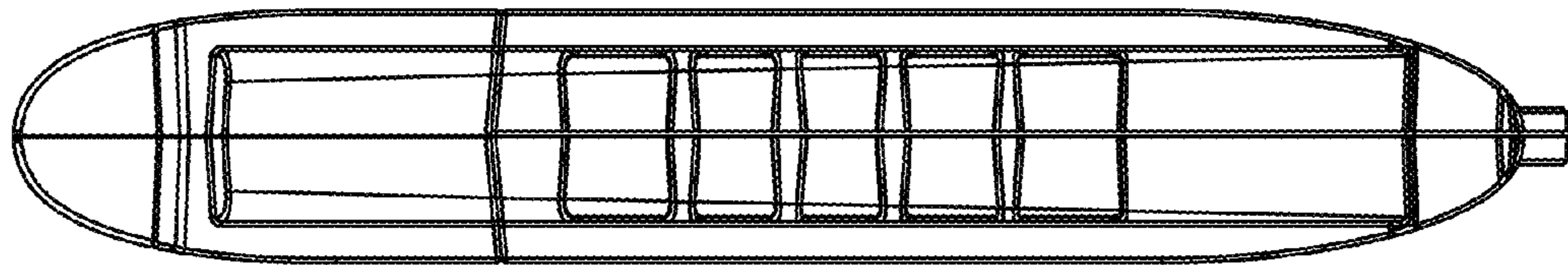


FIG. 8

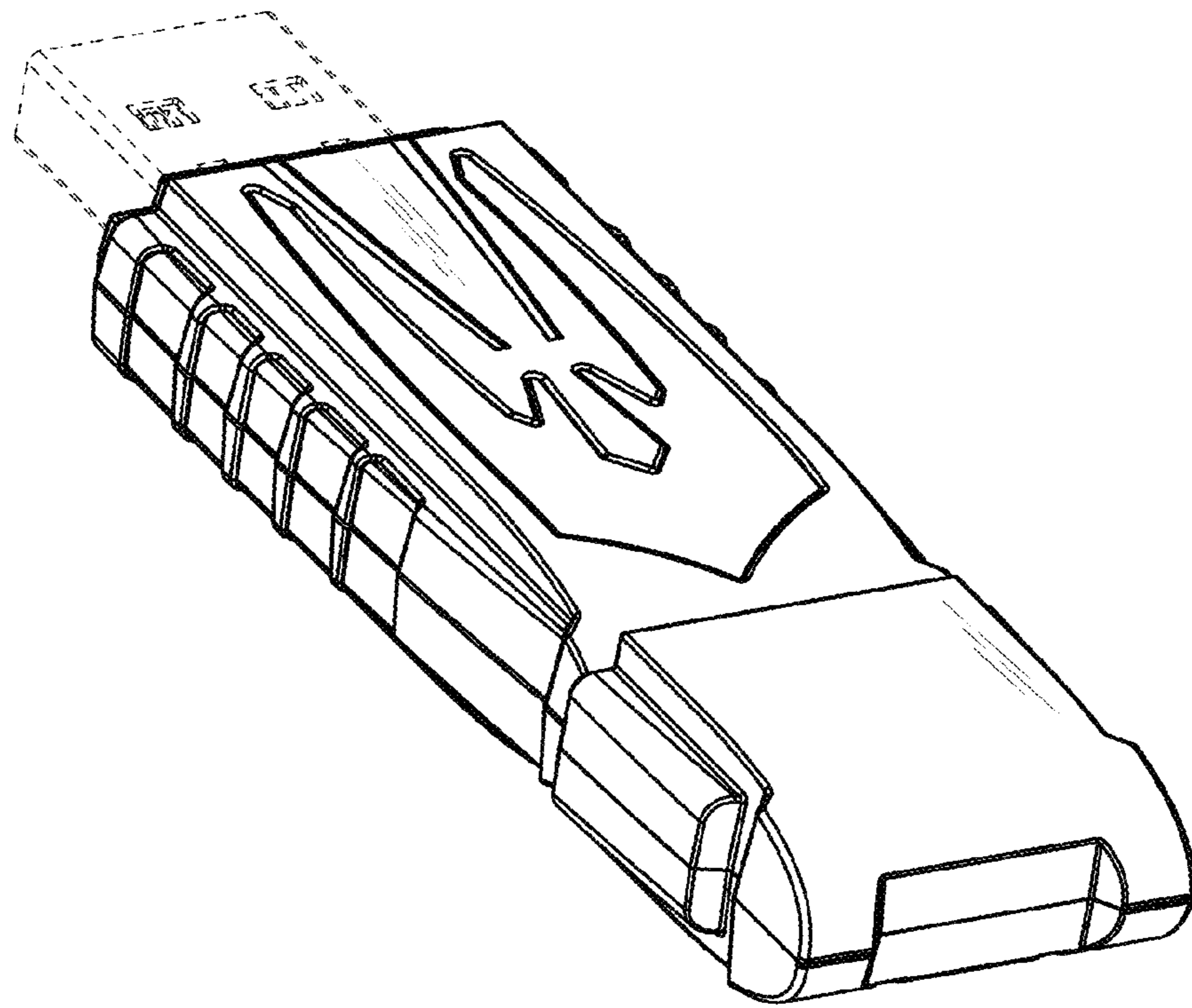


FIG. 9

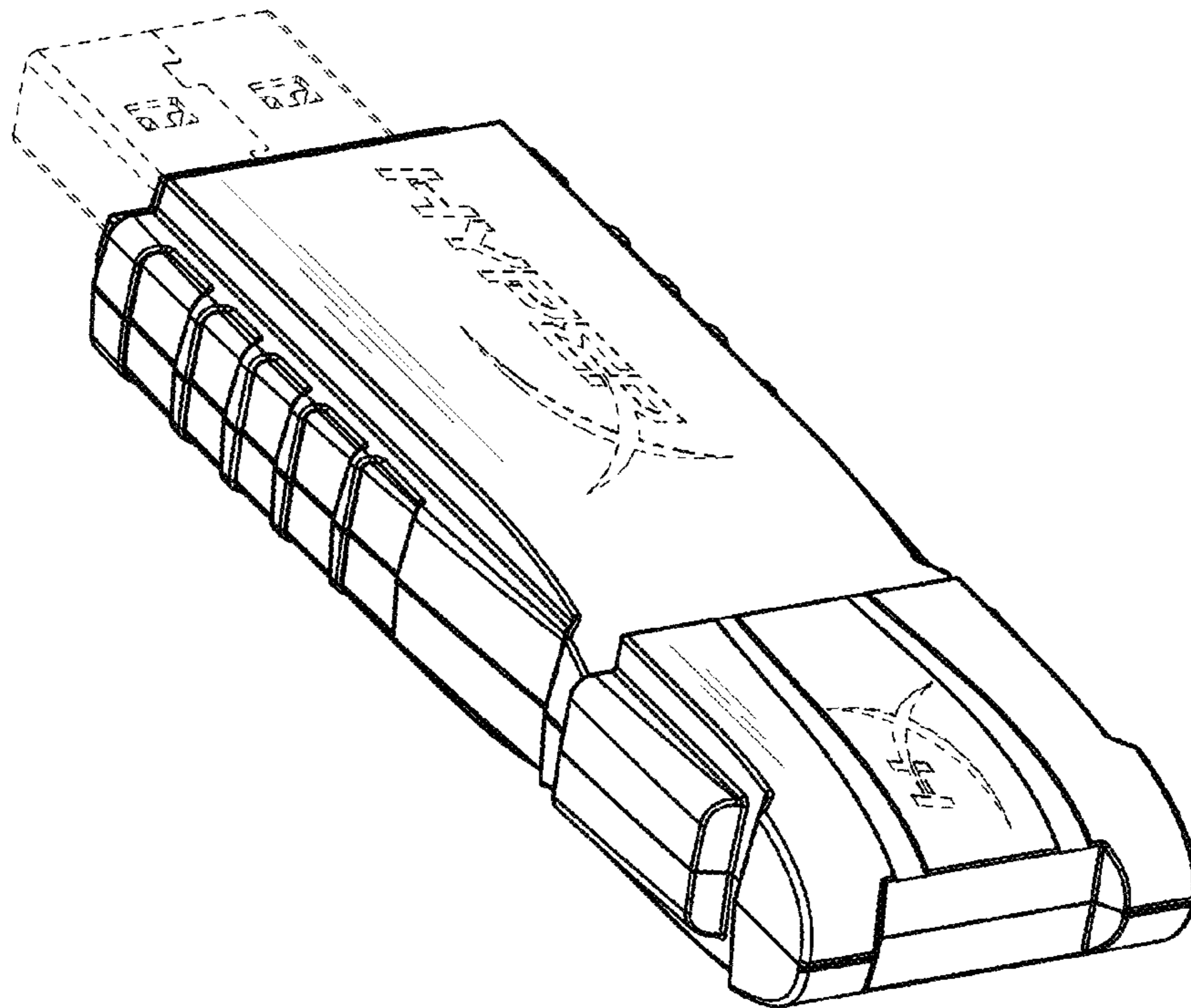


FIG. 10