



US00D725122S

(12) **United States Design Patent**
Erickson et al.

(10) **Patent No.:** **US D725,122 S**
(45) **Date of Patent:** **** *Mar. 24, 2015**

(54) **USB MEMORY DRIVE**

(71) Applicant: **GW Crystal Inc.**, Rancho Cucamonga, CA (US)

(72) Inventors: **Scott Erickson**, Rancho Cucamonga, CA (US); **Peter Gao**, Rancho Cucamonga, CA (US)

(73) Assignee: **GW Crystal, Inc.**, Rancho Cucamonga, CA (US)

(*) Notice: This patent is subject to a terminal disclaimer.

(**) Term: **14 Years**

(21) Appl. No.: **29/482,316**

(22) Filed: **Feb. 17, 2014**

Related U.S. Application Data

(62) Division of application No. 29/455,247, filed on May 17, 2013, now Pat. No. Des. 708,188.

(51) **LOC (10) Cl.** **14-02**

(52) **U.S. Cl.**
USPC **D14/480.1**

(58) **Field of Classification Search**
CPC H05K 5/0278; G06K 19/07732
USPC D14/411, 433, 435.1, 436, 480.1-480.7, D14/484.1, 137, 155, 203.1-203.8, 240, D14/242; D13/133, 154
See application file for complete search history.

(56) **References Cited**

U.S. PATENT DOCUMENTS

D445,422 S * 7/2001 Hsin D14/385
7,113,812 B2 * 9/2006 Li 455/575.1
D537,036 S * 2/2007 Chen D14/433
D595,223 S * 6/2009 Yamamoto et al. D13/108

D602,939 S * 10/2009 Andre D14/480.1
D607,914 S * 1/2010 Kaplan et al. D16/219
D675,216 S * 1/2013 Bedol et al. D14/480.5
D685,382 S * 7/2013 Anderson et al. D14/480.5
D688,651 S * 8/2013 Daniel D14/240
D700,372 S * 2/2014 Altman D26/2
D702,697 S * 4/2014 Gao et al. D14/480.1
D708,188 S * 7/2014 Erickson et al. D14/480.1

OTHER PUBLICATIONS

GW Crystal | Flash Drives, [online], [retrieved on Jan. 6, 2014]. Retrieved from the Internet <URL: http://www.gwcrystal.com/index.php?section=product&category_id=51>.*
GW Crystal | Square Flash Drives, [online], [retrieved on Oct. 16, 2014]. Retrieved from the Internet <URL: http://www.gwcrystal.com/index.php?section=product&subsection=product_details&product_id=229&category_id=51>.*

(Continued)

Primary Examiner — Karen E Kearney
(74) *Attorney, Agent, or Firm* — Brian Billett

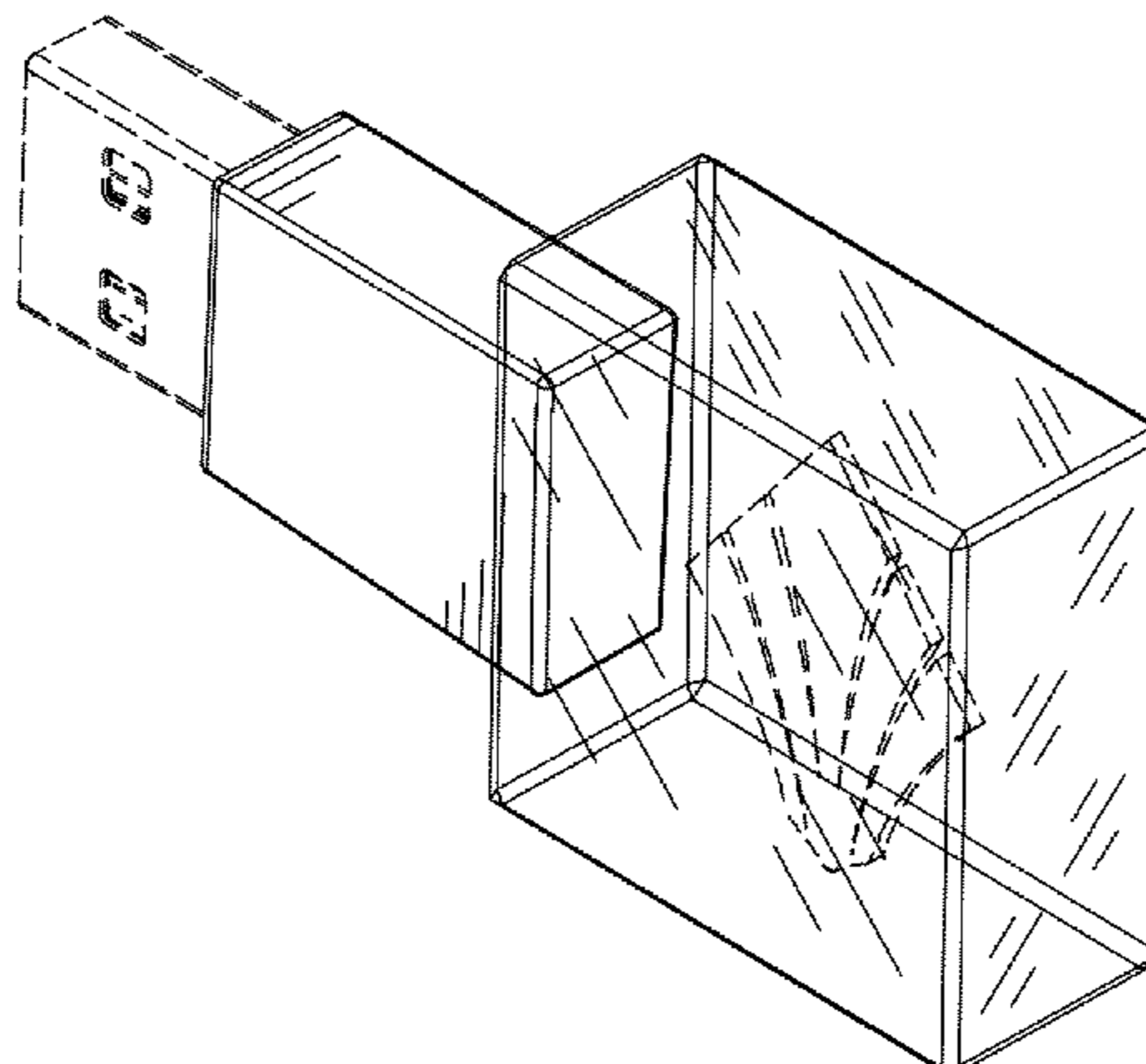
(57) **CLAIM**

We claim the ornamental design for a USB memory drive, as shown and described.

DESCRIPTION

FIG. 1 is a perspective view of a USB memory drive in accordance with the present design;
FIG. 2 is a top view thereof;
FIG. 3 is a bottom view thereof;
FIG. 4 is a front view thereof;
FIG. 5 is a back view thereof;
FIG. 6 is a right side view thereof; and,
FIG. 7 is a left side view thereof.
The broken line showings of the USB connector and the subsurface engraving are included for the purpose of illustrating portions of the USB memory drive and form no part of the claimed design.

1 Claim, 3 Drawing Sheets



(56)

References Cited

OTHER PUBLICATIONS

GW Crystal | Cube Flash Drives, [online], [retrieved on Jan. 6, 2014]. Retrieved from the Internet <URL: http://www.gwcrystal.com/index.php?section=product&subsection=product_details&product_id=225&category_id=51>.*

Dialog05 presents universal connections, [online], [retrieved on Aug. 23, 2006]. Retrieved from the Internet <URL: <http://www.dialog05.com/objects/07.html>>.*

Mnemosyne Flash Drive Stores Precious Moments for 1 Million Yen | The Daily Luxury News Blog from Luxury-Insider.com,

[online] Jul. 3, 2009 [retrieved on Jul. 30, 2009]. Retrieved from the Internet <URL: http://www.luxury-insider.com/Current_Affairs/post/2009/07/Mnemosyne-Flash-Drive-Stores-Precious-Moments-for-1-Million-Yen.aspx>.*

Glass USB Flash Drive you can personalize by ImagesOnWood on Etsy, [online], [retrieved on Oct. 17, 2014]. Retrieved from the Internet <URL: <https://www.etsy.com/uk/listing/196161360/glass-usb-flash-drive-you-can?ref=market>>.*

* cited by examiner

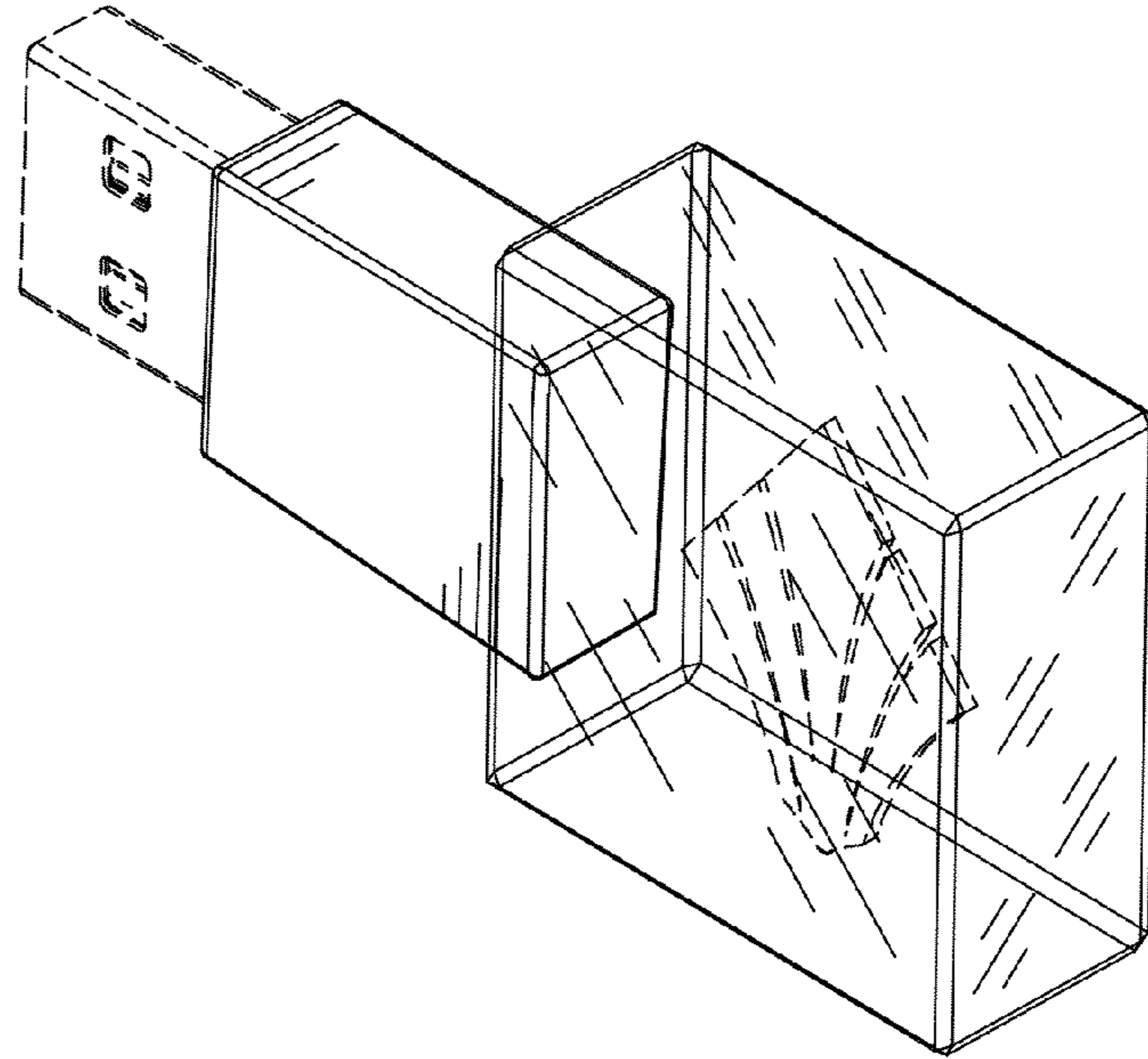


Fig. 1

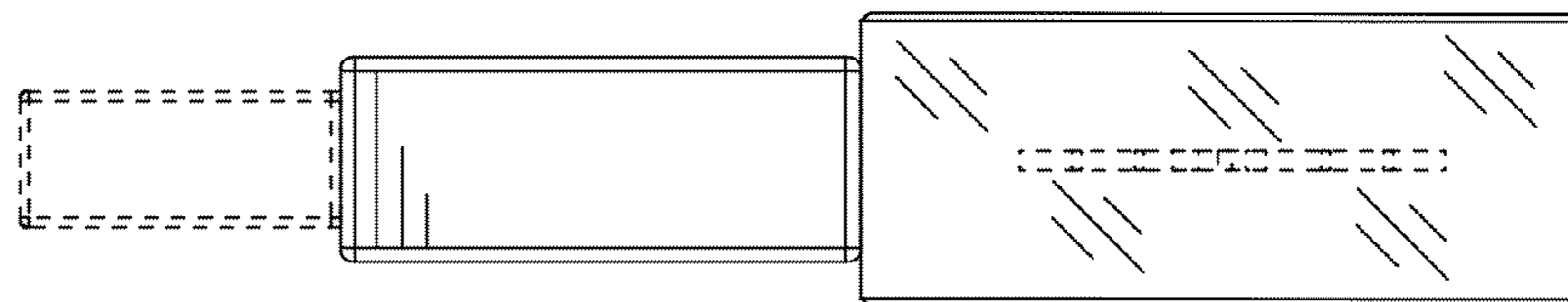


Fig. 2

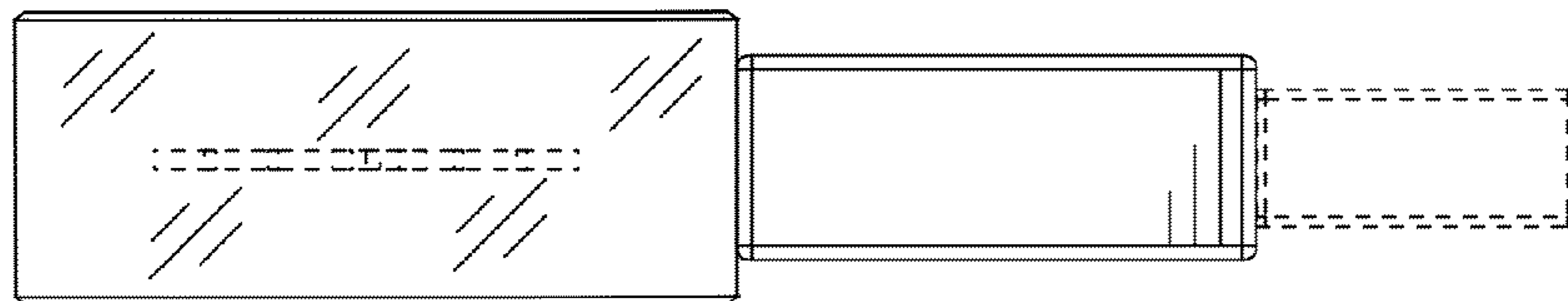


Fig. 3

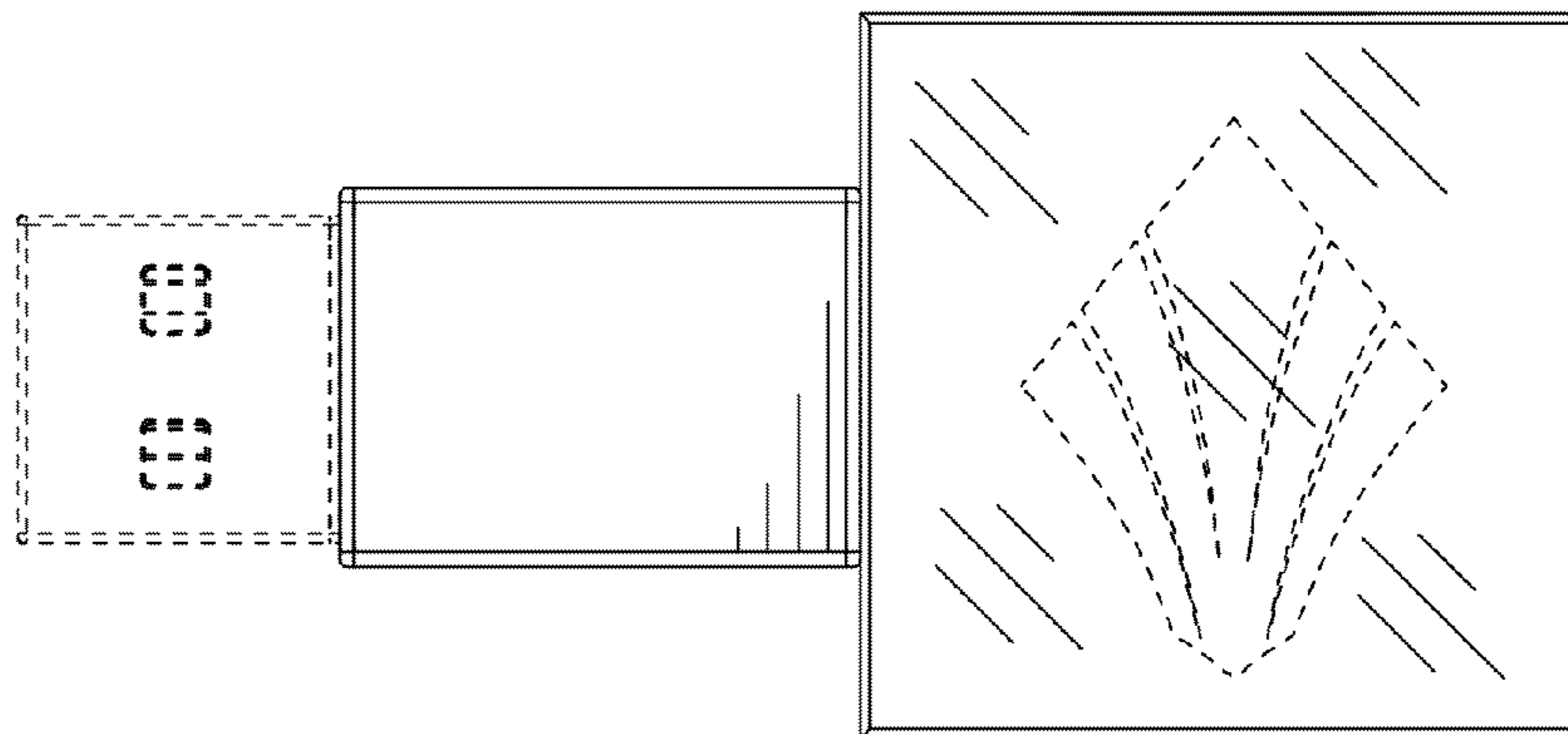


Fig. 4

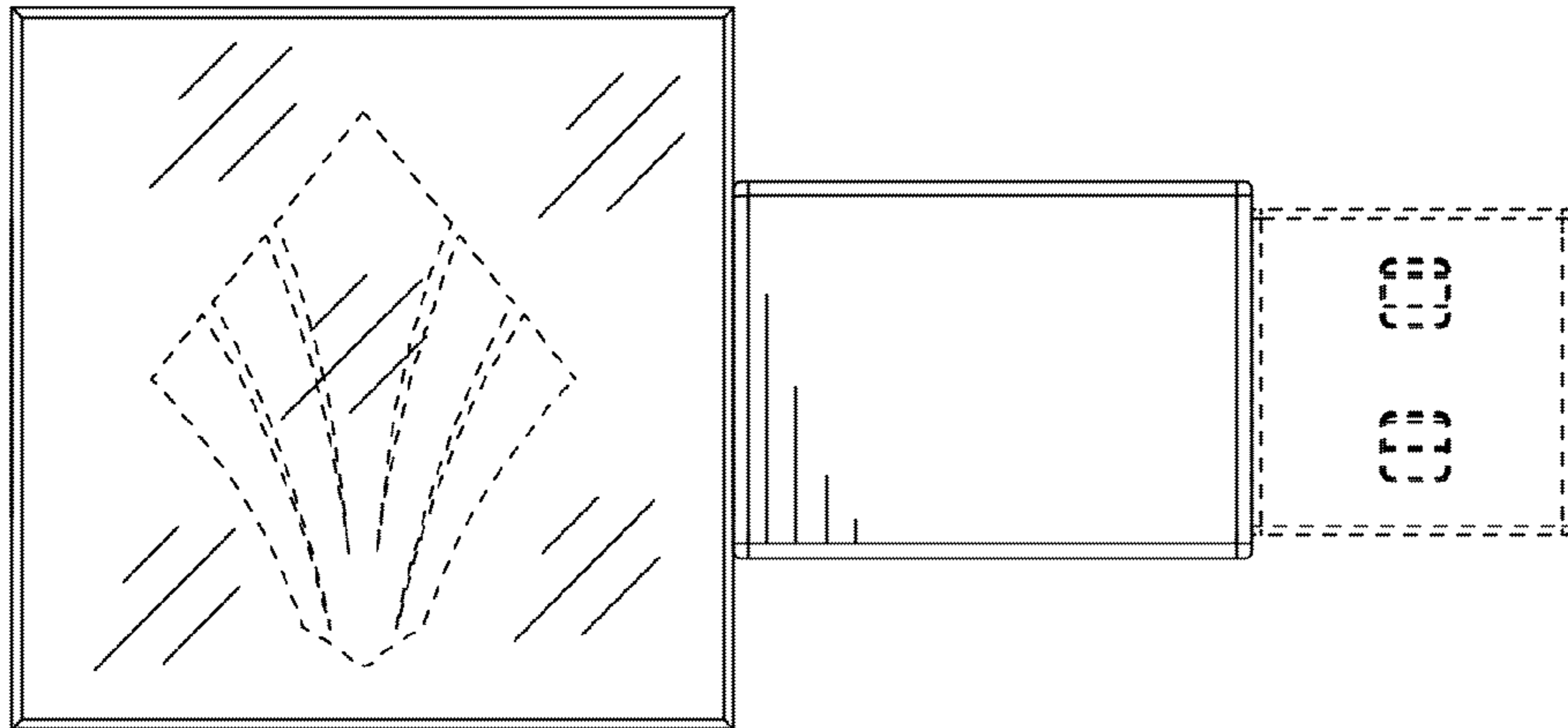


Fig. 5

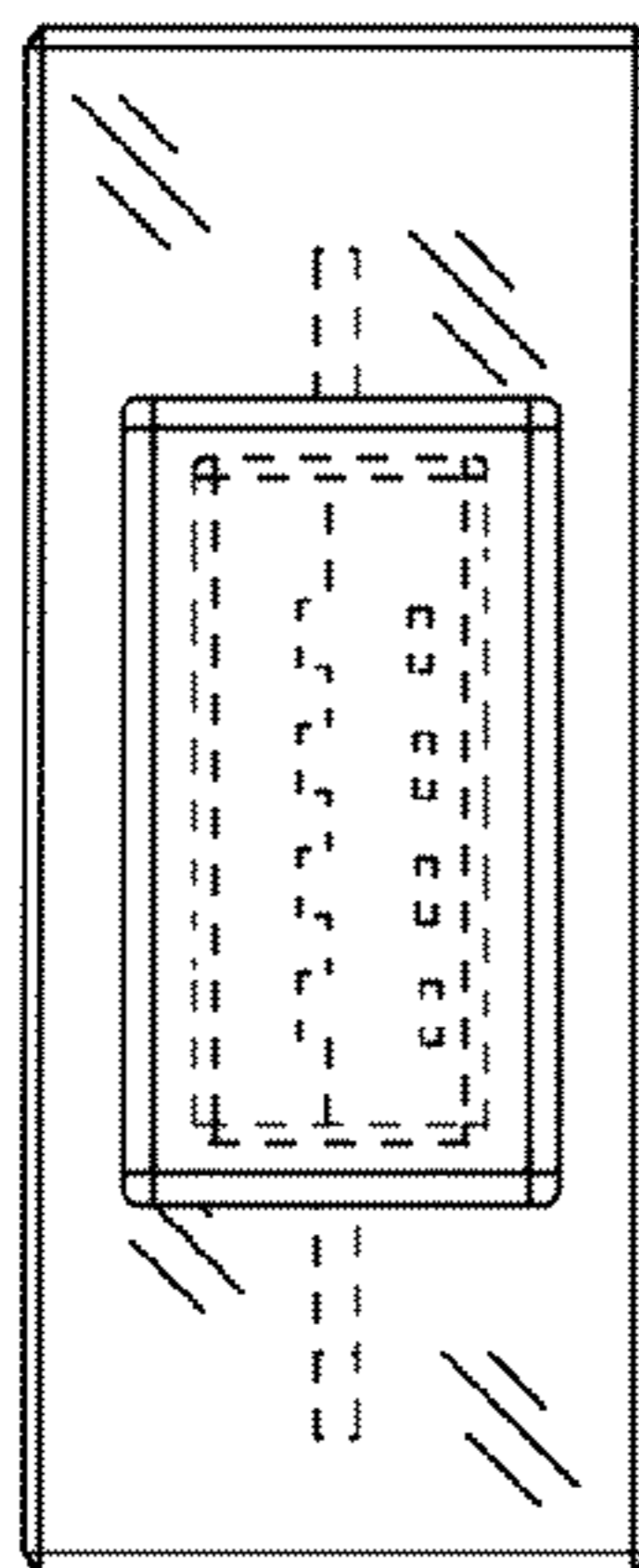


Fig. 6

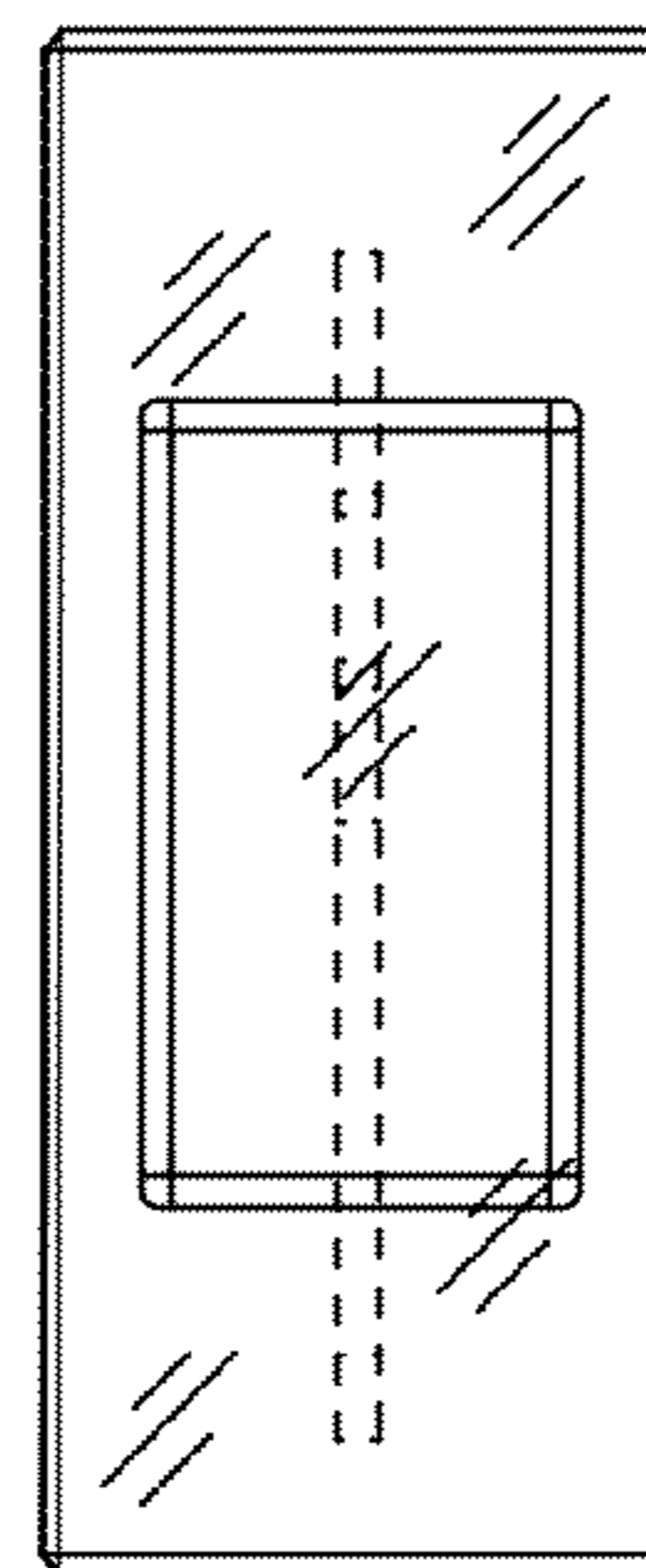


Fig. 7