



US00D725119S

(12) **United States Design Patent**  
**Gaylord**

(10) **Patent No.:** **US D725,119 S**  
(45) **Date of Patent:** **\*\* Mar. 24, 2015**

(54) **CASE FOR ELECTRONIC DEVICE**

(71) Applicant: **Otter Products, LLC**, Fort Collins, CO  
(US)

(72) Inventor: **Aaron M. Gaylord**, Fort Collins, CO  
(US)

(73) Assignee: **Otter Products, LLC**, Fort Collins, CO  
(US)

(\*\*) Term: **14 Years**

(21) Appl. No.: **29/492,698**

(22) Filed: **Jun. 2, 2014**

(51) **LOC (10) Cl.** ..... **14-02**

(52) **U.S. Cl.**  
USPC ..... **D14/440**

(58) **Field of Classification Search**  
CPC ... G06F 1/1601; G06F 1/1626; G06F 1/1633;  
G06F 1/1675; G06F 1/1679; G02F 1/1306;  
G02F 1/133; G02F 1/133308; G02F 1/153;  
G02F 1/1533; G02F 2001/133317; H04M  
1/185; H04M 1/0252; H04B 1/3888  
USPC ..... D14/250, 251, 253, 240, 217, 496, 440,  
D14/203.3, 203.4, 203.5, 203.8, 341, 318;  
D3/218, 215, 201, 294, 289, 900;  
220/4.02; 248/309.1; 361/679.56;  
379/426, 433.11, 455; 455/575.1,  
455/575.8, 457.1; 190/100; 206/305, 320,  
206/45.2; D21/469; 312/240  
See application file for complete search history.

(56) **References Cited**

**U.S. PATENT DOCUMENTS**

D551,847 S \* 10/2007 Yeap et al. .... D3/201  
D592,188 S \* 5/2009 Huang ..... D14/217  
D619,586 S \* 7/2010 Richter ..... D14/447  
D639,301 S 6/2011 Anderson et al.  
D641,610 S \* 7/2011 Sedalo ..... D8/354

D657,795 S \* 4/2012 Smith et al. .... D14/447  
D660,305 S \* 5/2012 Ho et al. .... D14/447  
D662,925 S \* 7/2012 Mayberry et al. .... D14/250  
D664,528 S 7/2012 Chen et al.  
D666,614 S 9/2012 Ding  
D669,481 S \* 10/2012 Prescott et al. .... D14/447  
D669,890 S \* 10/2012 Hopkins et al. .... D14/251  
D673,960 S \* 1/2013 Lindfield et al. .... D14/447  
D674,803 S \* 1/2013 Westrup ..... D14/440  
D674,804 S \* 1/2013 Cote ..... D14/447  
D676,037 S \* 2/2013 Schupsky ..... D14/253  
D676,055 S 2/2013 Izen et al.  
D679,693 S \* 4/2013 Rashid ..... D14/250  
D682,281 S \* 5/2013 Barnard et al. .... D14/447  
D685,376 S \* 7/2013 Kim ..... D14/439  
D686,629 S \* 7/2013 Trinh et al. .... D14/447  
D688,670 S 8/2013 Huang  
D689,502 S \* 9/2013 Belitz et al. .... D14/447  
D692,010 S 10/2013 Verghese  
D695,298 S \* 12/2013 Han et al. .... D14/440  
D703,214 S 4/2014 Lye  
D711,886 S \* 8/2014 Kerawala et al. .... D14/440  
D712,413 S \* 9/2014 Fukai ..... D14/440  
D712,906 S 9/2014 Wengreen et al.  
2003/0222149 A1 \* 12/2003 Solomon et al. .... 235/472.01  
2004/0155859 A1 \* 8/2004 Lee ..... 345/156  
2008/0099646 A1 \* 5/2008 Kobara et al. .... 248/309.1  
2008/0237432 A1 \* 10/2008 Patterson ..... 248/458

(Continued)

*Primary Examiner* — Cynthia Underwood

(57) **CLAIM**

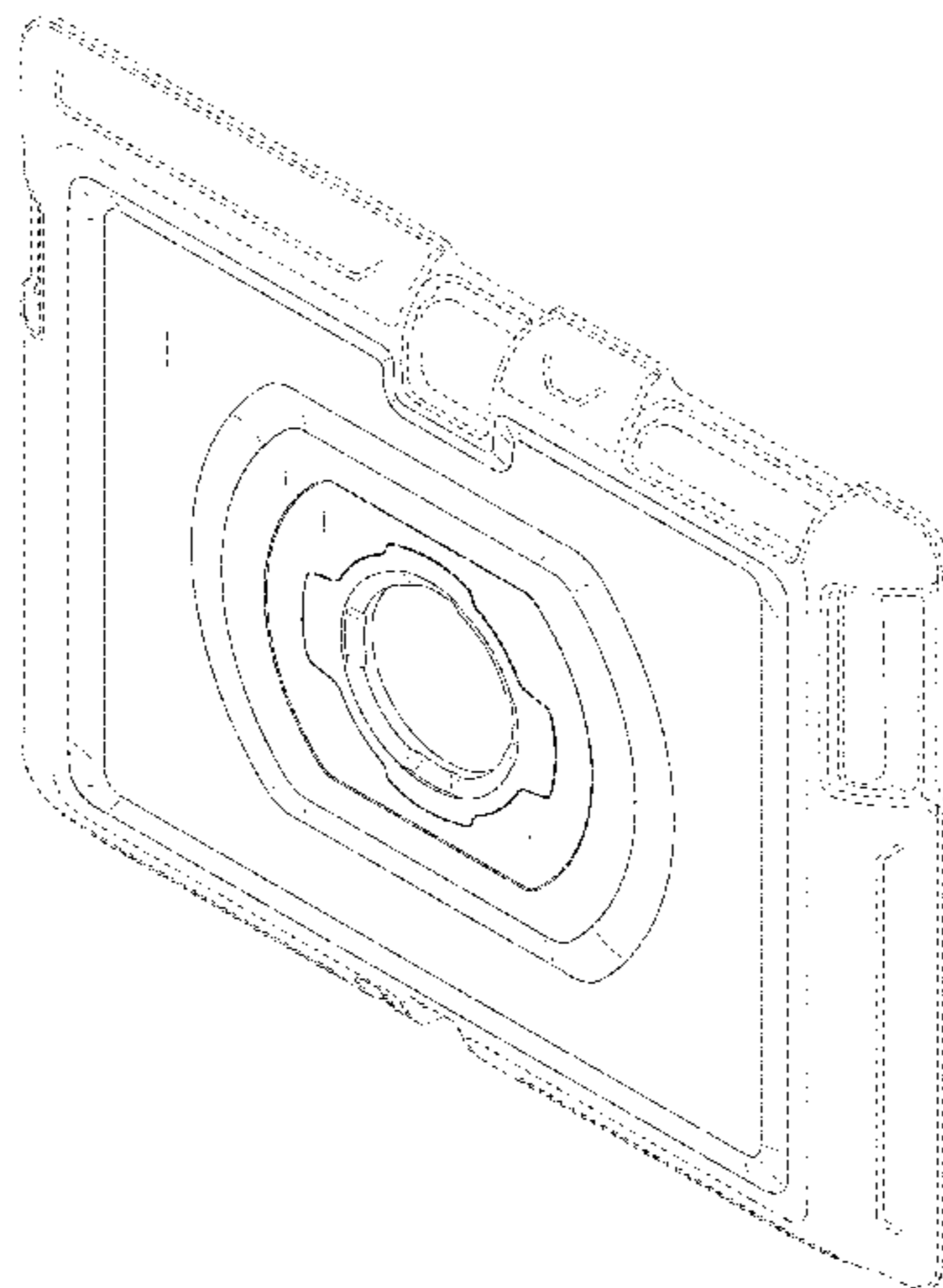
The ornamental design for a case for electronic device, as shown and described.

**DESCRIPTION**

FIG. 1 is a first rear isometric view of a case for electronic device showing our new design; FIG. 2 is a rear view thereof; and, FIG. 3 is a second rear isometric view of a case for electronic device thereof.

The broken lines depict unclaimed environment. The broken lines form no part of the claimed design.

**1 Claim, 3 Drawing Sheets**



# US D725,119 S

Page 2

---

(56)

## References Cited

### U.S. PATENT DOCUMENTS

2011/0192269	A1*	8/2011	Voorhees	.....	84/421	2012/0074272	A1*	3/2012	Hull	.....	248/122.1
2011/0310553	A1*	12/2011	Hsiao	.....	361/679.55	2012/0091312	A1*	4/2012	Baker	.....	248/682
2012/0043247	A1*	2/2012	Westrup	.....	206/472	2012/0092377	A1	4/2012	Stein		
						2012/0193496	A1*	8/2012	Li	.....	248/316.1
						2012/0252543	A1	10/2012	Cho		

\* cited by examiner

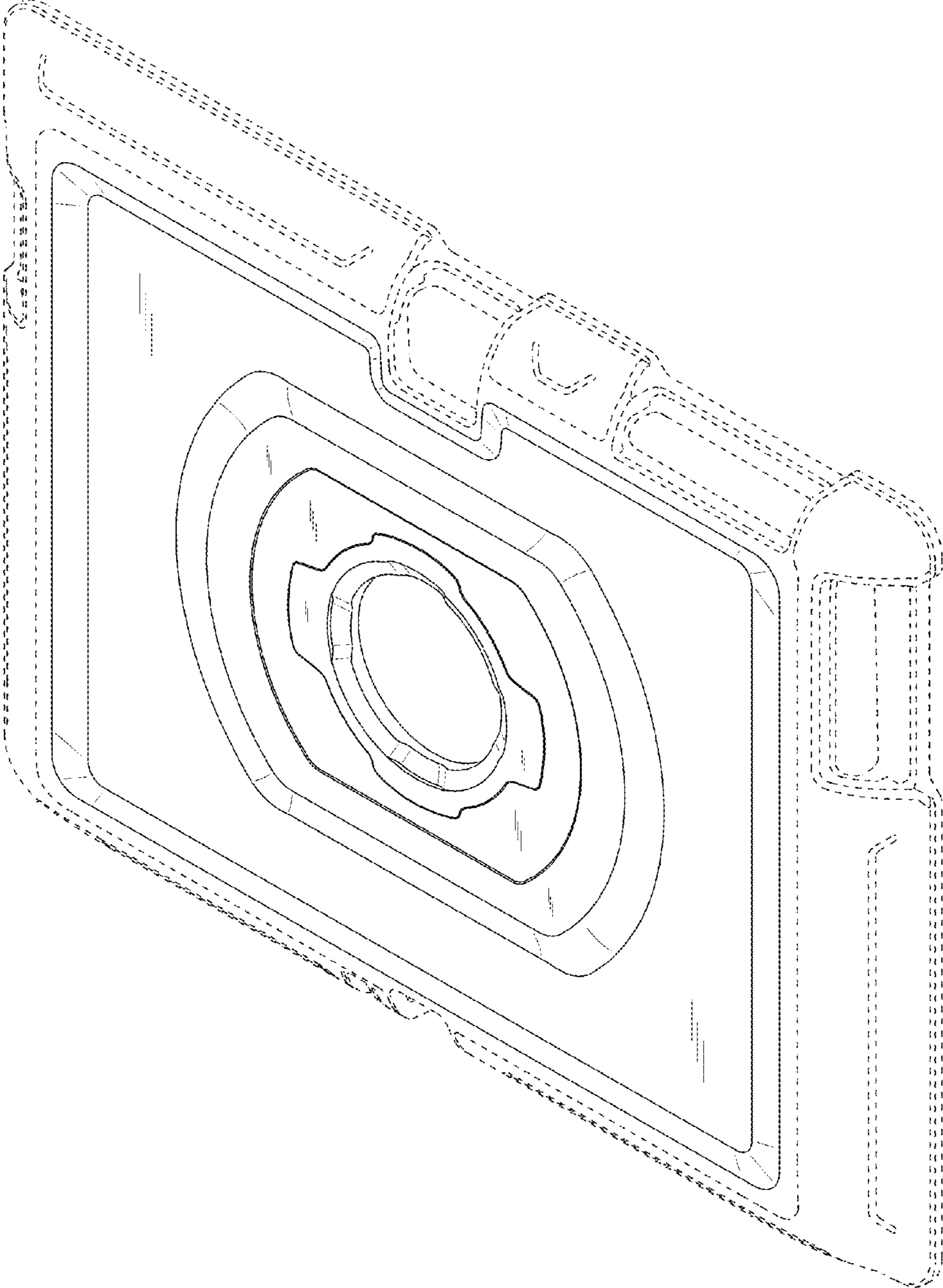


FIG. 1

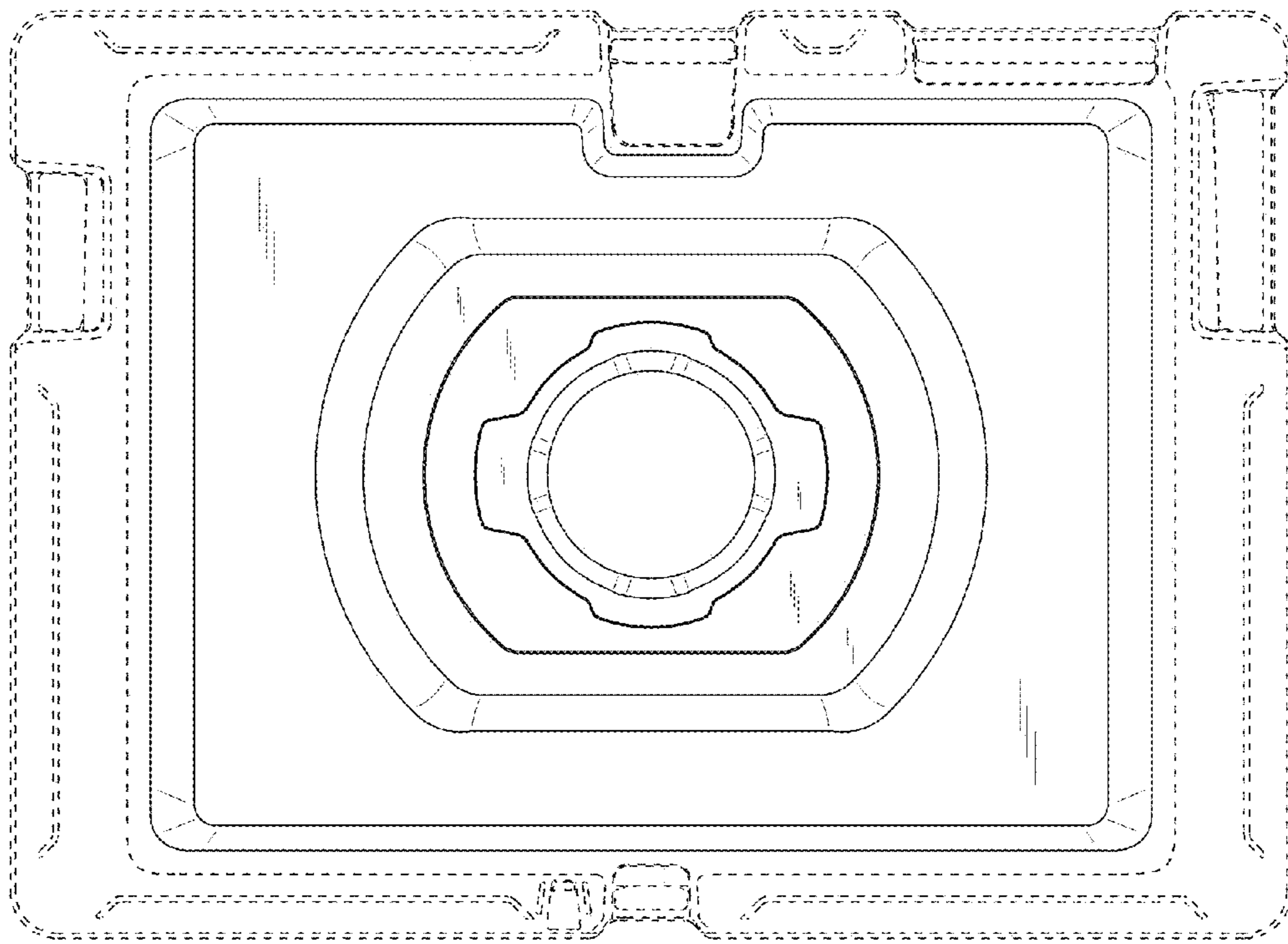


FIG. 2

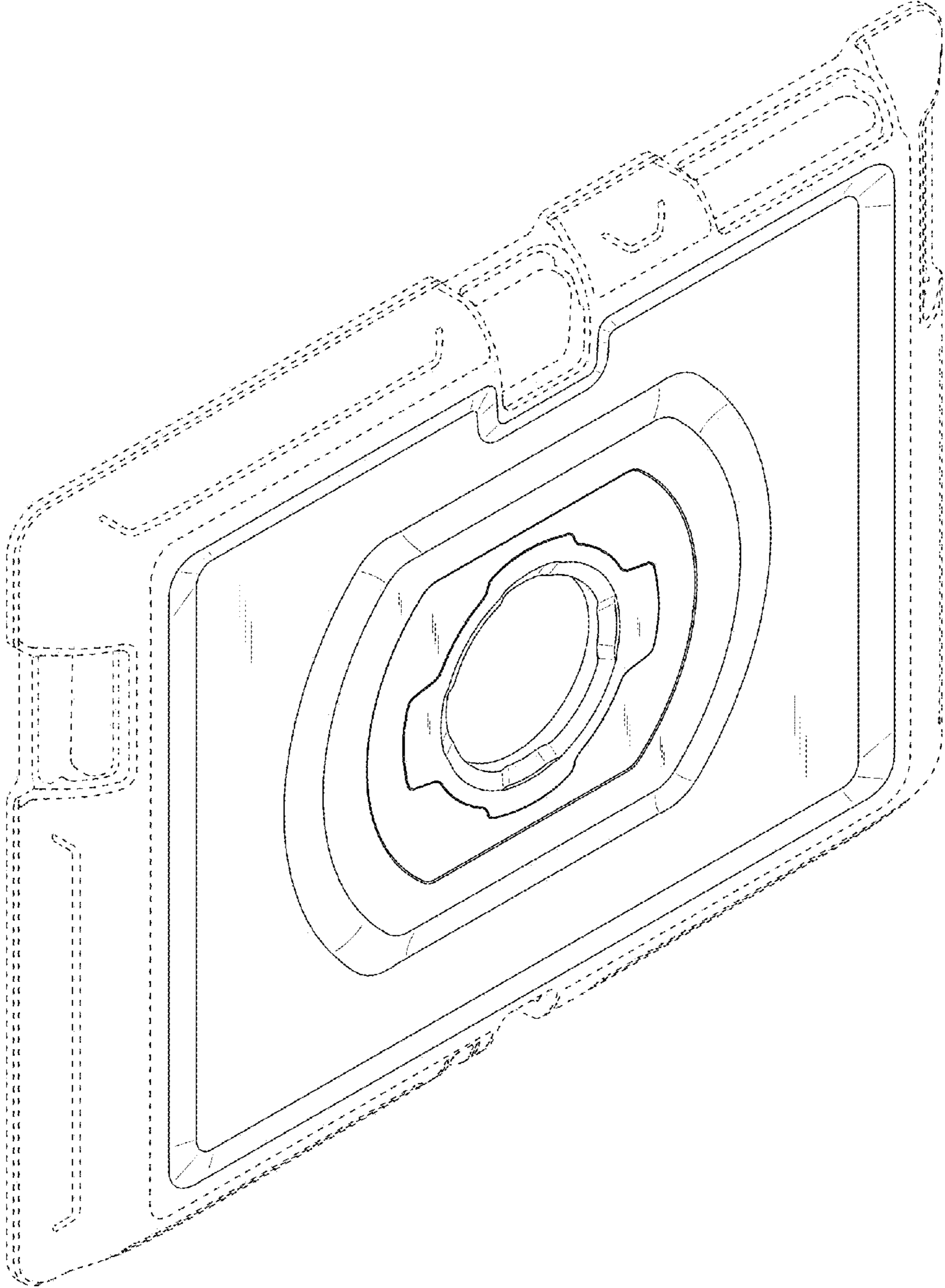


FIG. 3