

US00D725117S

(12) **United States Design Patent**
Melanson et al.

(10) **Patent No.:** **US D725,117 S**
(45) **Date of Patent:** **** Mar. 24, 2015**

(54) **CASE FOR ELECTRONIC DEVICE**

(71) Applicant: **Otter Products, LLC**, Fort Collins, CO
(US)

(72) Inventors: **Christopher J. Melanson**, Fort Collins,
CO (US); **Lee B. Gates**, Fort Collins,
CO (US)

(73) Assignee: **Otter Products, LLC**, Fort Collins, CO
(US)

(**) Term: **14 Years**

(21) Appl. No.: **29/470,382**

(22) Filed: **Oct. 21, 2013**

(51) **LOC (10) Cl.** **14-02**

(52) **U.S. Cl.**
USPC **D14/440**

(58) **Field of Classification Search**
USPC D14/250, 251, 253, 240, 217, 496, 440,
D14/203.3, 203.4, 203.5, 203.8, 341, 318;
D3/218, 215, 201, 294, 289, 900;
220/4.02; 248/309.1; 361/679.56;
379/426, 433.11, 455; 455/575.1,
455/575.8, 457.1; 190/100; 206/305, 320,
206/45.2; D21/469; 312/240

See application file for complete search history.

(56) **References Cited**

U.S. PATENT DOCUMENTS

D641,756	S	*	7/2011	Hsieh et al.	D14/440
D644,635	S	*	9/2011	Richardson et al.	D14/250
D654,490	S	*	2/2012	Weller et al.	D14/250
D673,569	S	*	1/2013	Smith et al.	D14/440
D681,641	S	*	5/2013	Van Den Nieuwenhuizen et al.	D14/440
D695,744	S	*	12/2013	Weller et al.	D14/440
D695,746	S	*	12/2013	Magness et al.	D14/440
D698,343	S	*	1/2014	Chang et al.	D14/250
D703,652	S	*	4/2014	Melanson et al.	D14/250
D709,868	S	*	7/2014	Witter et al.	D14/250

* cited by examiner

Primary Examiner — Cynthia Underwood

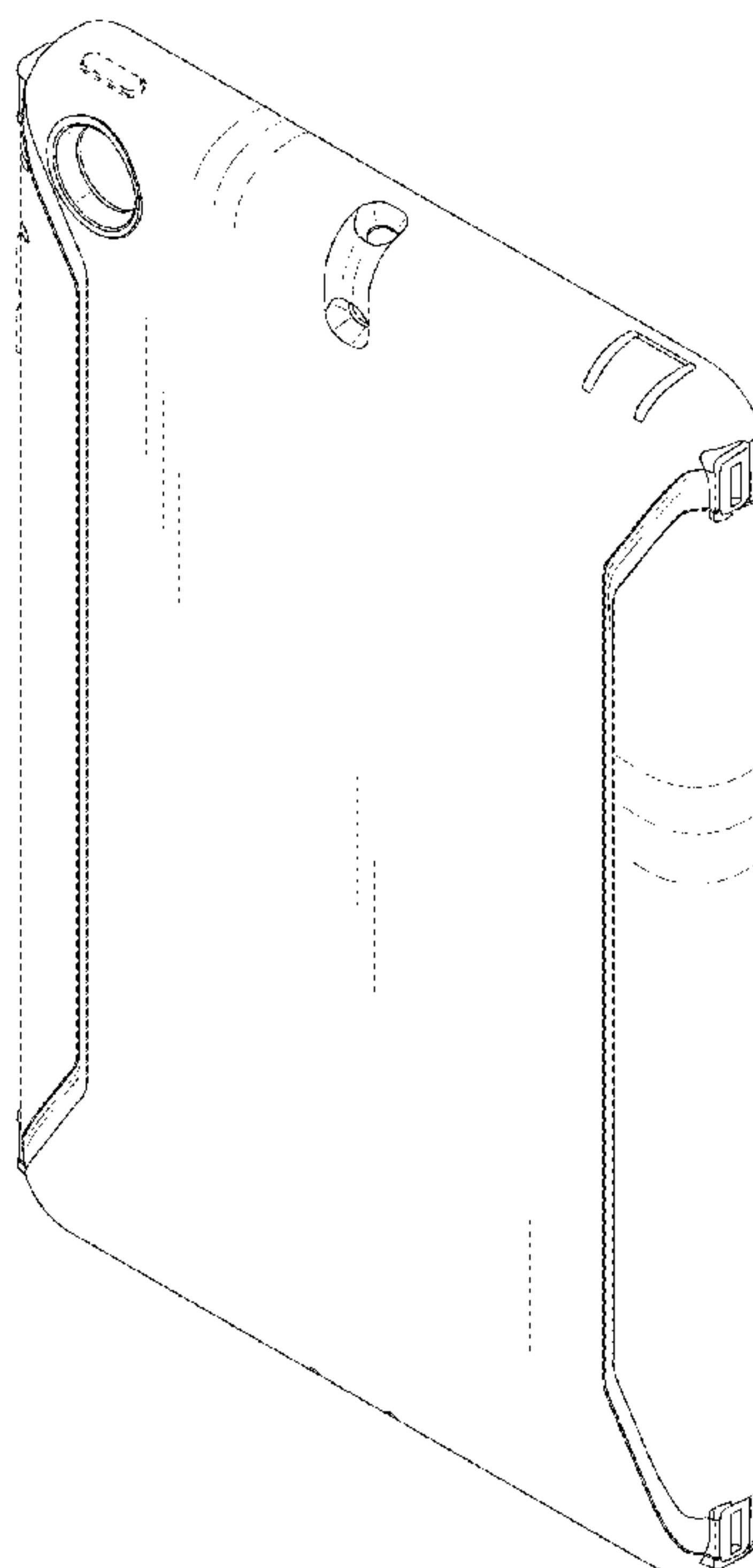
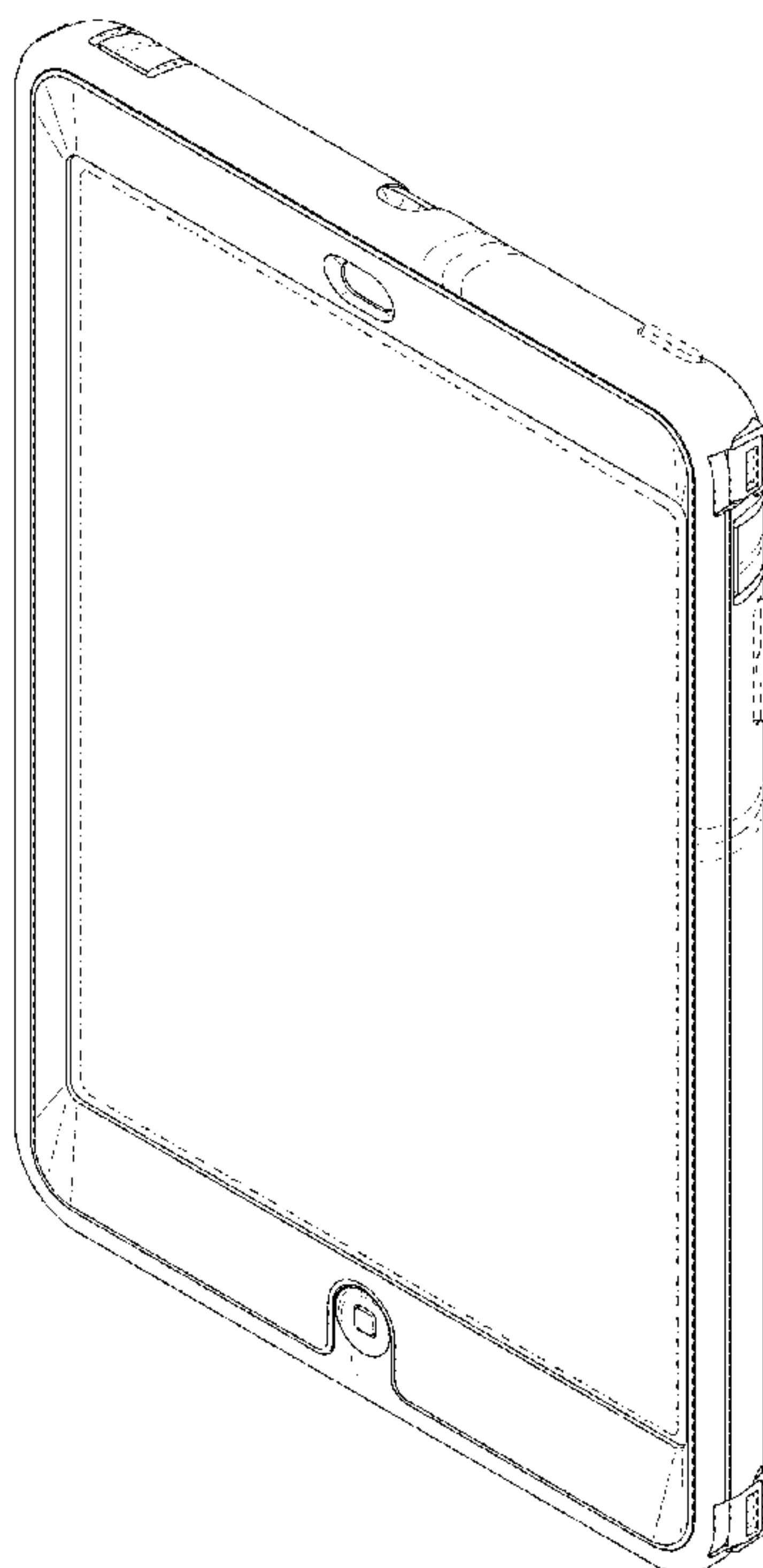
(57) **CLAIM**

The ornamental design for a case for electronic device, as shown and described.

DESCRIPTION

FIG. 1 is a front isometric view of a case for electronic device showing our new design;
FIG. 2 is a rear isometric view thereof;
FIG. 3 is a front view thereof;
FIG. 4 is a rear view thereof;
FIG. 5 is a left view thereof;
FIG. 6 is a right view thereof;
FIG. 7 is a top view thereof; and,
FIG. 8 is a bottom view thereof.
The dot-dash-dot broken lines represent a boundary of the claimed design. The dash-dash-dash broken lines depict unclaimed environment. The broken lines form no part of the claimed design.

1 Claim, 6 Drawing Sheets



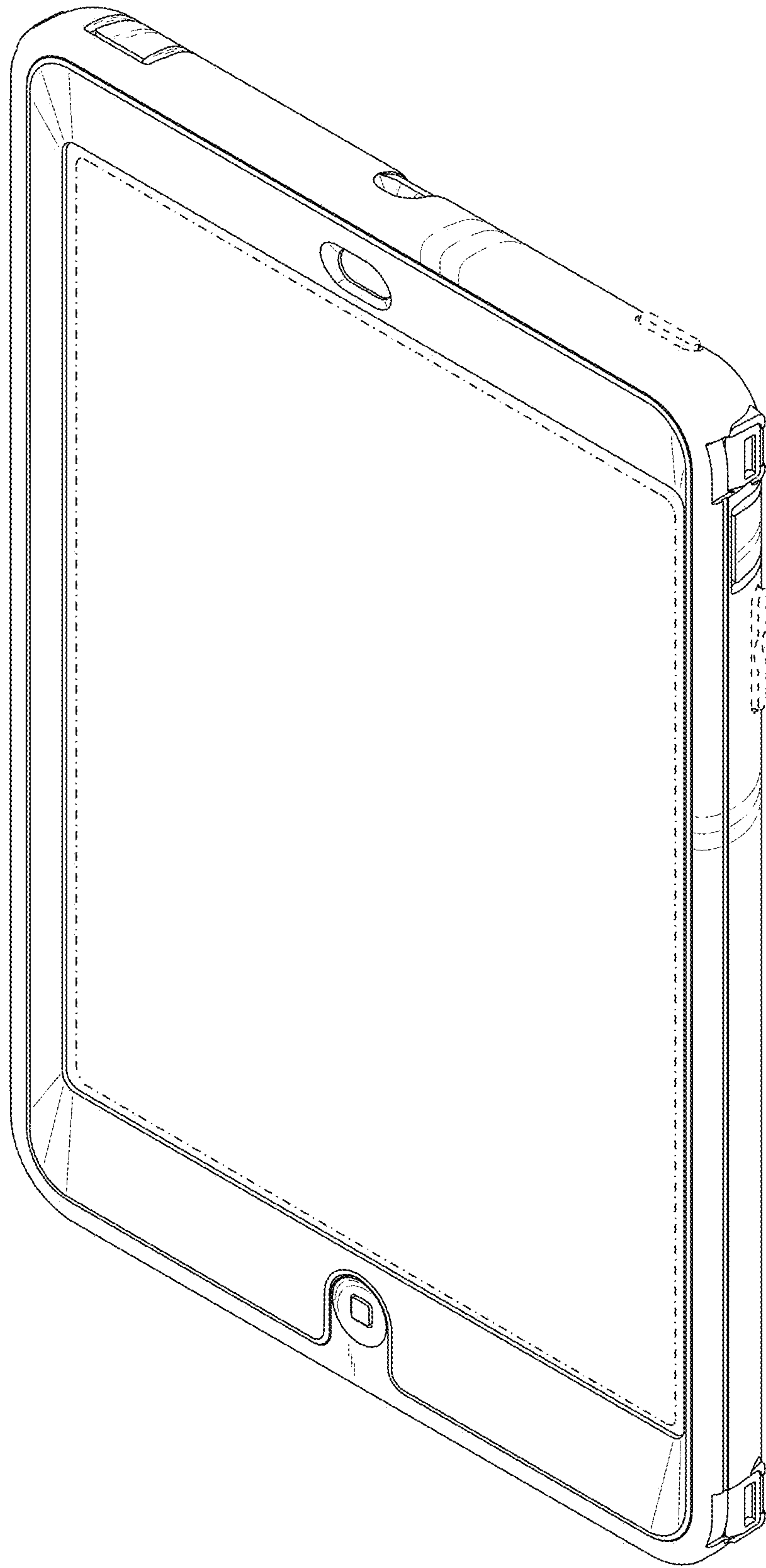


FIG. 1

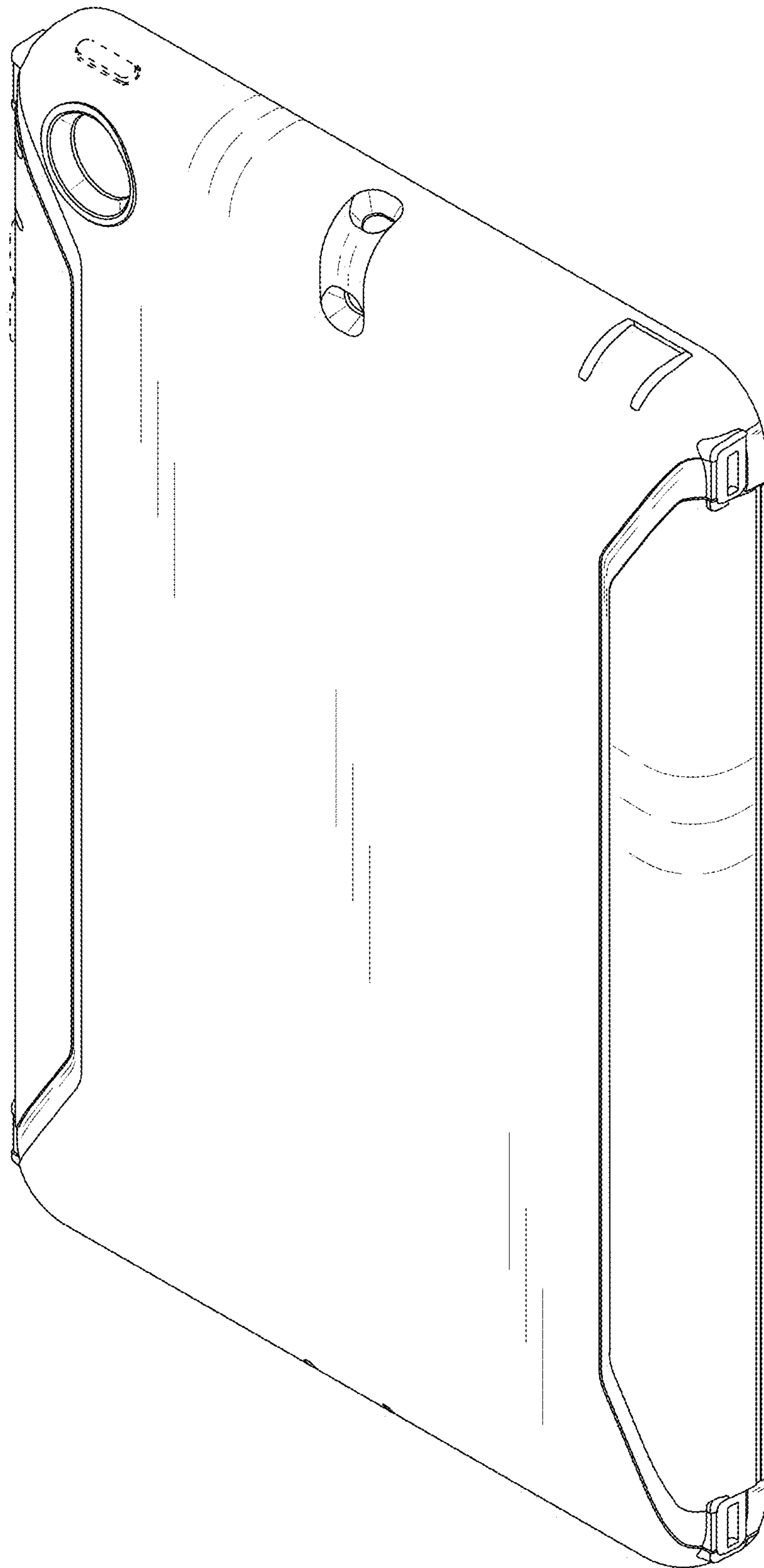


FIG. 2

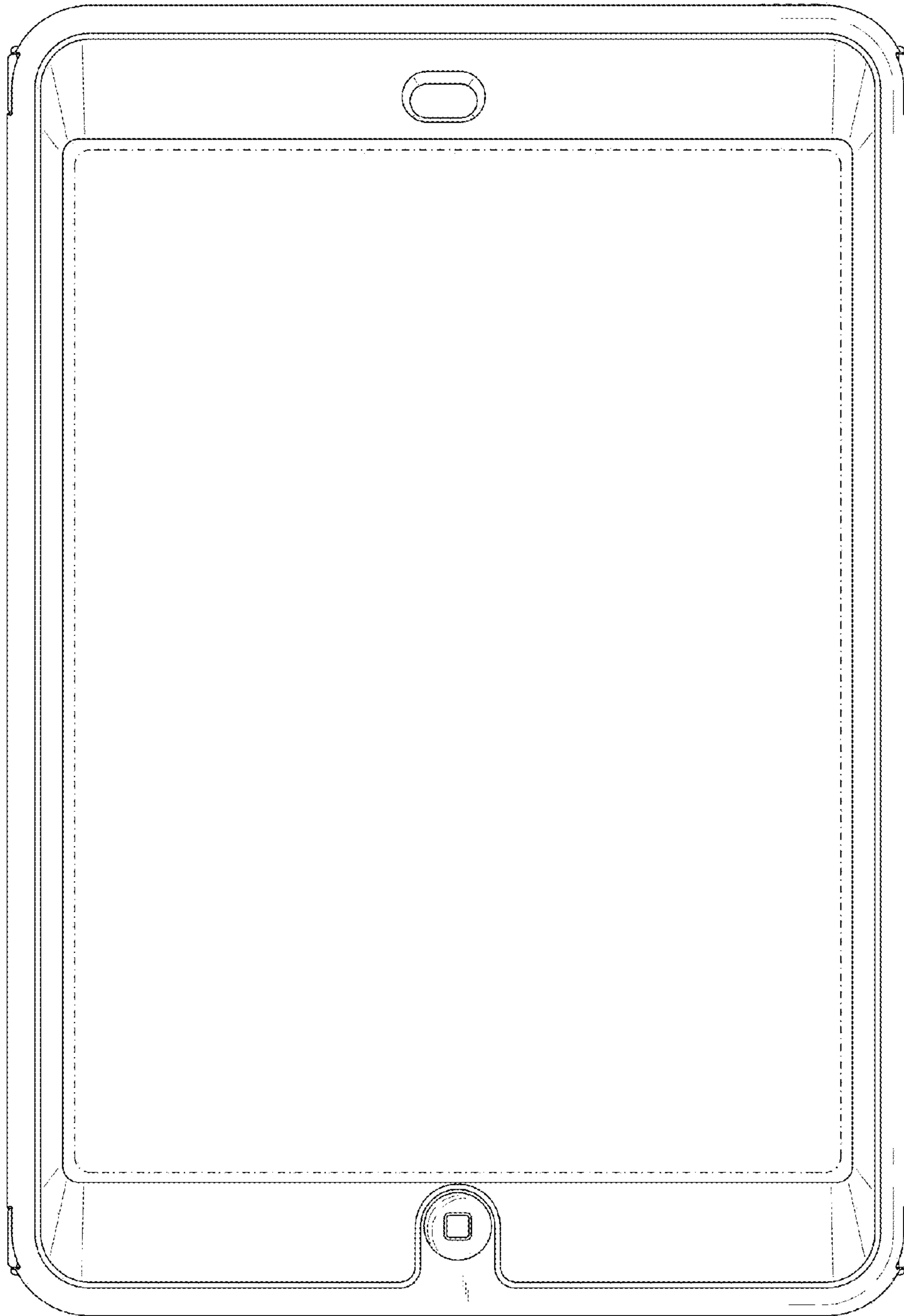


FIG. 3

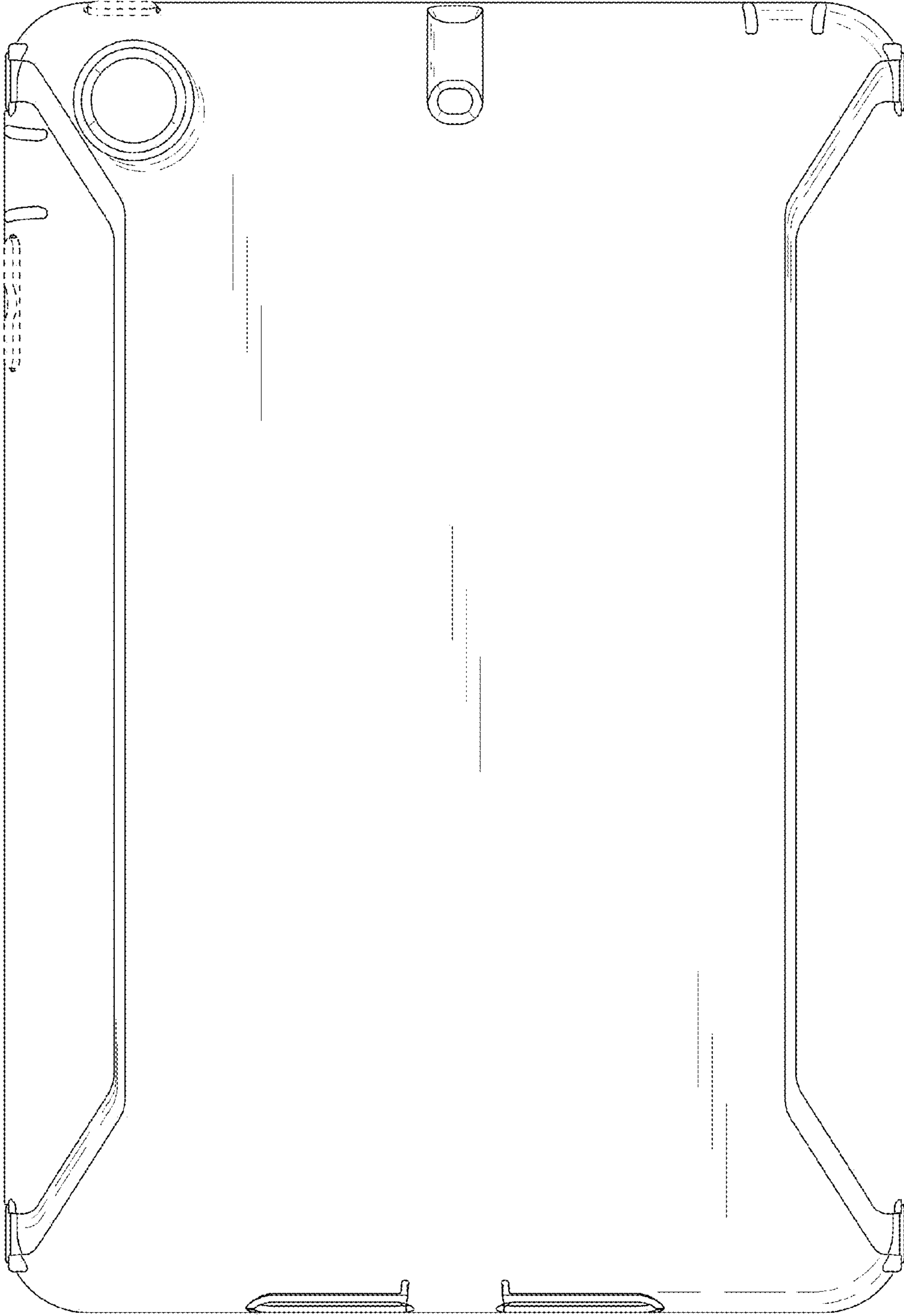


FIG. 4

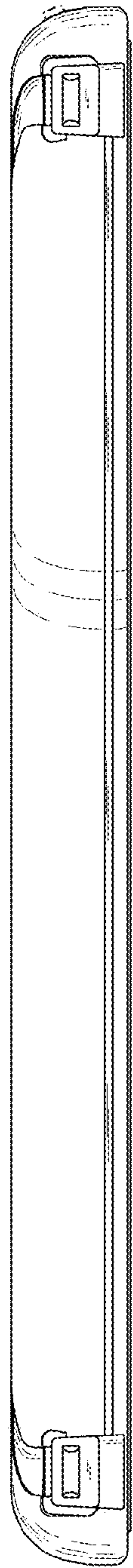


FIG. 5

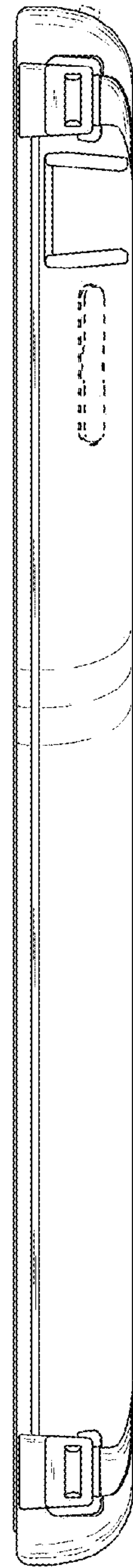


FIG. 6

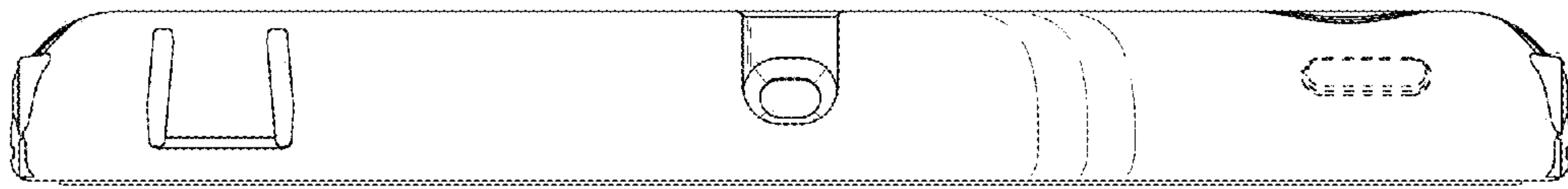


FIG. 7

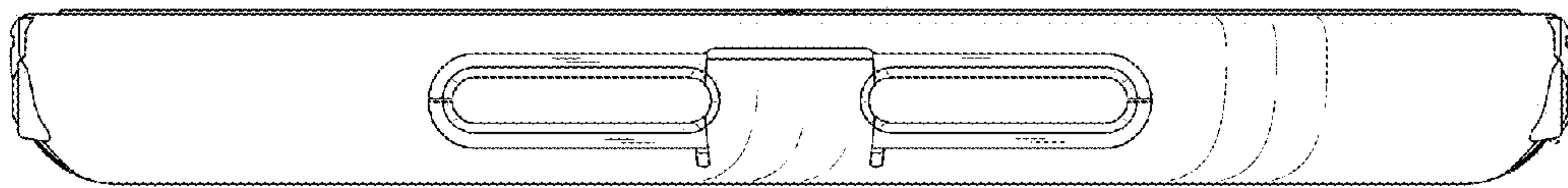


FIG. 8