



US00D725116S

(12) **United States Design Patent**
Li

(10) **Patent No.:** **US D725,116 S**
(45) **Date of Patent:** **** Mar. 24, 2015**

(54) **COVER FOR NOTEBOOK COMPUTER**

(71) Applicant: **Getac Technology Corporation,**
Hsinchu County (TW)

(72) Inventor: **Chun-Hsing Li,** New Taipei (TW)

(73) Assignee: **Getac Technology Corporation,**
Hsinchu County (TW)

(**) Term: **14 Years**

(21) Appl. No.: **29/458,576**

(22) Filed: **Jun. 20, 2013**

(51) **LOC (10) Cl.** **14-02**

(52) **U.S. Cl.**
USPC **D14/440**

(58) **Field of Classification Search**

CPC ... G06F 1/1601; G06F 1/1626; G06F 1/1633;
G06F 1/1675; G06F 1/1679; G02F 1/1306;
G02F 1/133; G02F 1/133308; G02F 1/153;
G02F 1/1533; G02F 2001/133317; H04M
1/185; H04M 1/0252; H04B 1/3888
USPC D14/250, 251, 253, 240, 217, 496, 440,
D14/203.3, 203.4, 203.5, 203.8, 341, 318;
D3/218, 215, 201, 294, 289, 900;
220/4.02; 248/309.1; 361/679.56;
379/426, 433.11, 455; 455/575.1,
455/575.8, 457.1; 190/100; 206/305, 320,
206/45.2; D21/469; 312/240

See application file for complete search history.

(56) **References Cited**

U.S. PATENT DOCUMENTS

D36,329 S * 5/1903 Sackman D5/53
D644,215 S * 8/2011 Dong D14/250
D648,332 S * 11/2011 Kim et al. D14/248
D674,792 S * 1/2013 Magness D14/250
D681,622 S * 5/2013 Melanson et al. D14/250
D685,357 S * 7/2013 Rekuc et al. D14/250

D691,142 S * 10/2013 Diebel D14/440
D693,823 S * 11/2013 Chen et al. D14/440
D706,272 S * 6/2014 Poon D14/440
D713,832 S * 9/2014 Fathollahi D14/250
2010/0008028 A1* 1/2010 Richardson et al. 361/679.01

* cited by examiner

Primary Examiner — Cynthia Underwood

(57) **CLAIM**

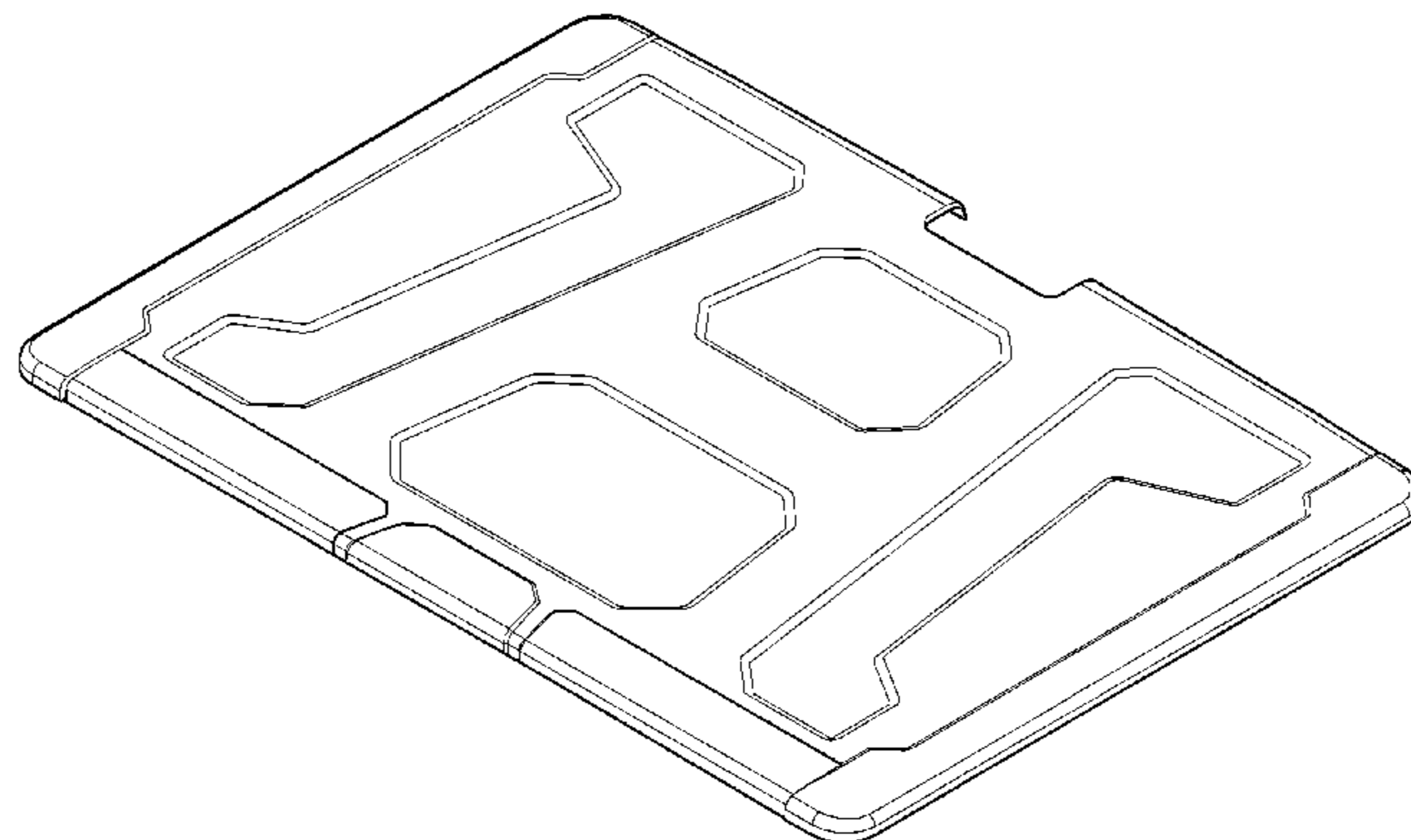
The ornamental design for a cover for notebook computer, as shown and described.

DESCRIPTION

FIG. 1 is a front perspective view showing a first embodiment of my new design;
FIG. 2 is a front view of the first embodiment of my new design;
FIG. 3 is a rear view of the first embodiment of my new design;
FIG. 4 is a left side view of the first embodiment of my new design;
FIG. 5 is a right side view of the first embodiment of my new design;
FIG. 6 is a top view of the first embodiment of my new design;
FIG. 7 is a bottom view of the first embodiment of my new design;
FIG. 8 is a front perspective view showing a first embodiment of my new design;
FIG. 9 is a front view of the first embodiment of my new design;
FIG. 10 is a rear view of the first embodiment of my new design;
FIG. 11 is a left side view of the first embodiment of my new design;
FIG. 12 is a right side view of the first embodiment of my new design;
FIG. 13 is a top view of the first embodiment of my new design; and,
FIG. 14 is a bottom view of the first embodiment of my new design.

The broken line showing in FIGS. 8-14 is for the purpose of illustrating a notebook computer on which the cover of my design may be installed and forms no part of the claimed design.

1 Claim, 10 Drawing Sheets



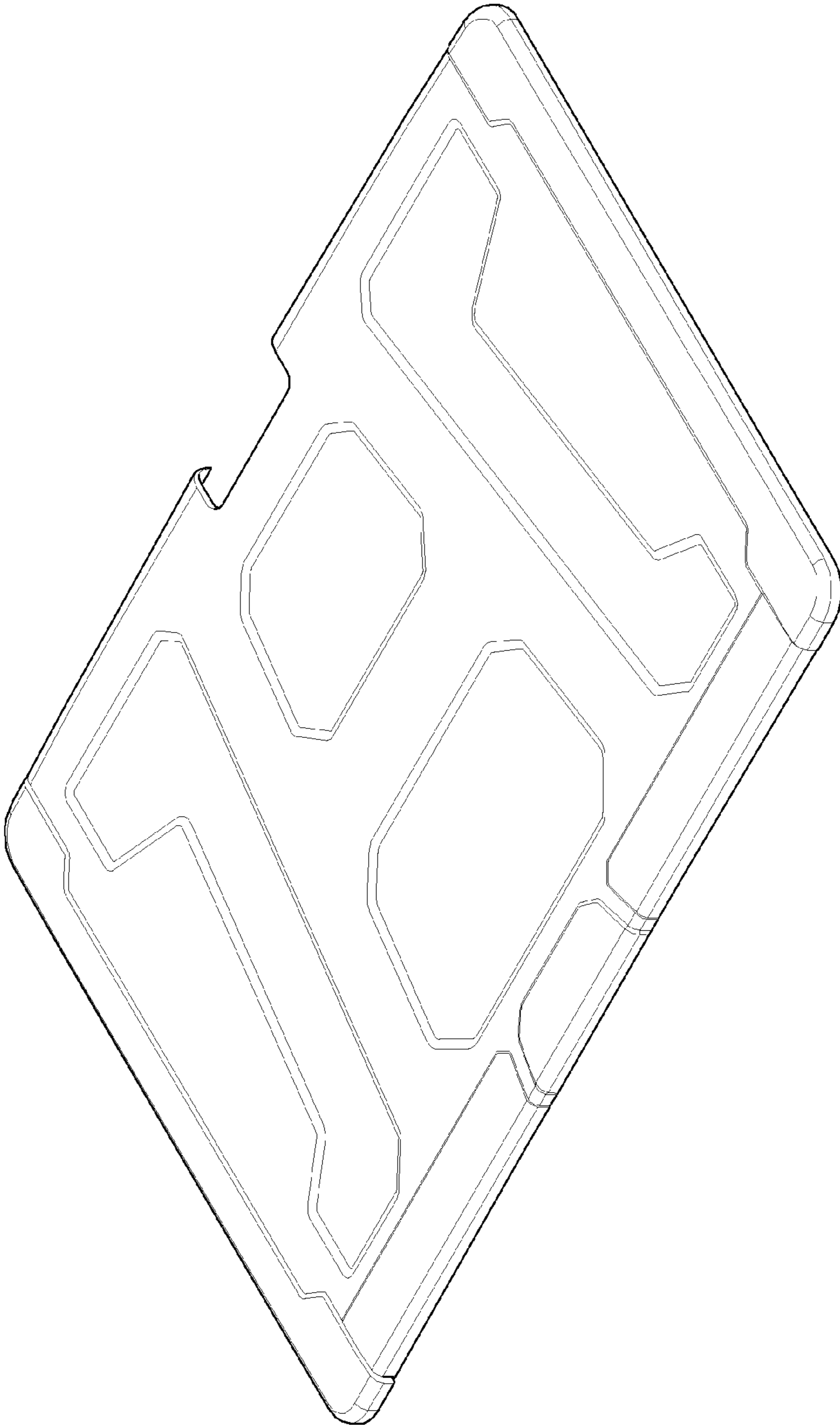


FIG.1



FIG. 2



FIG. 3

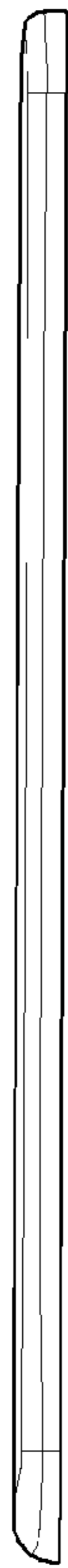


FIG. 4



FIG. 5

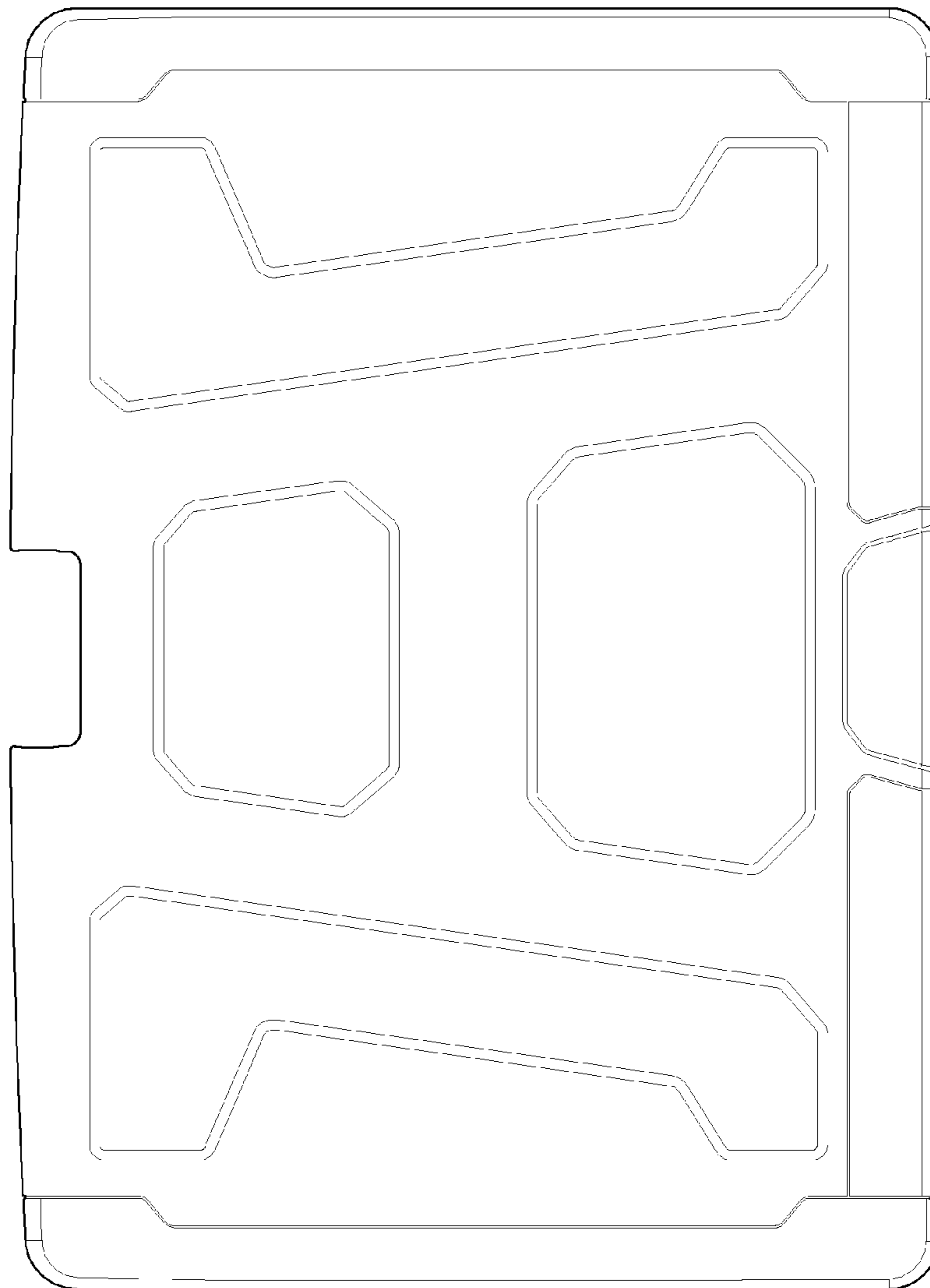


FIG.6

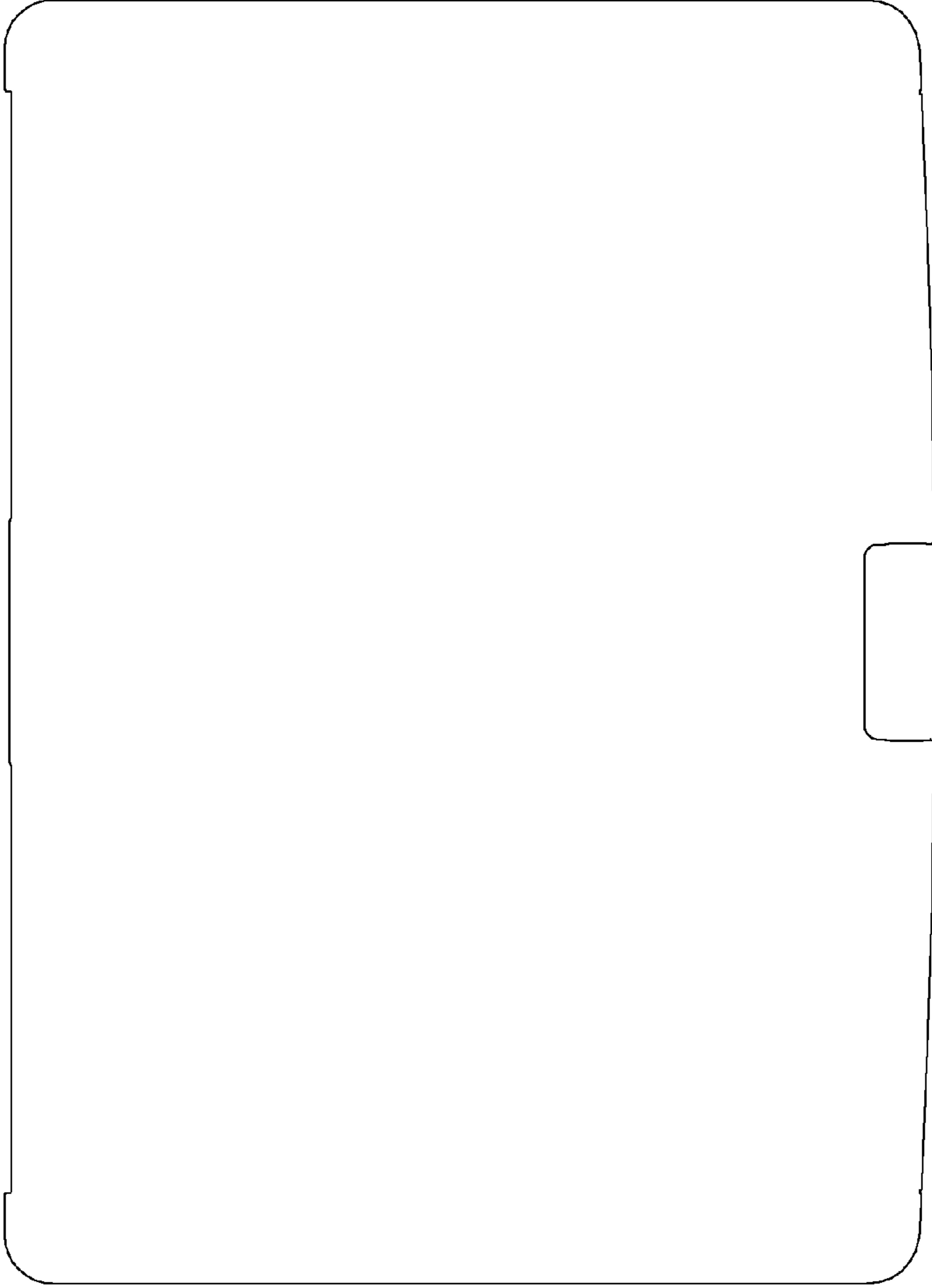


FIG.7

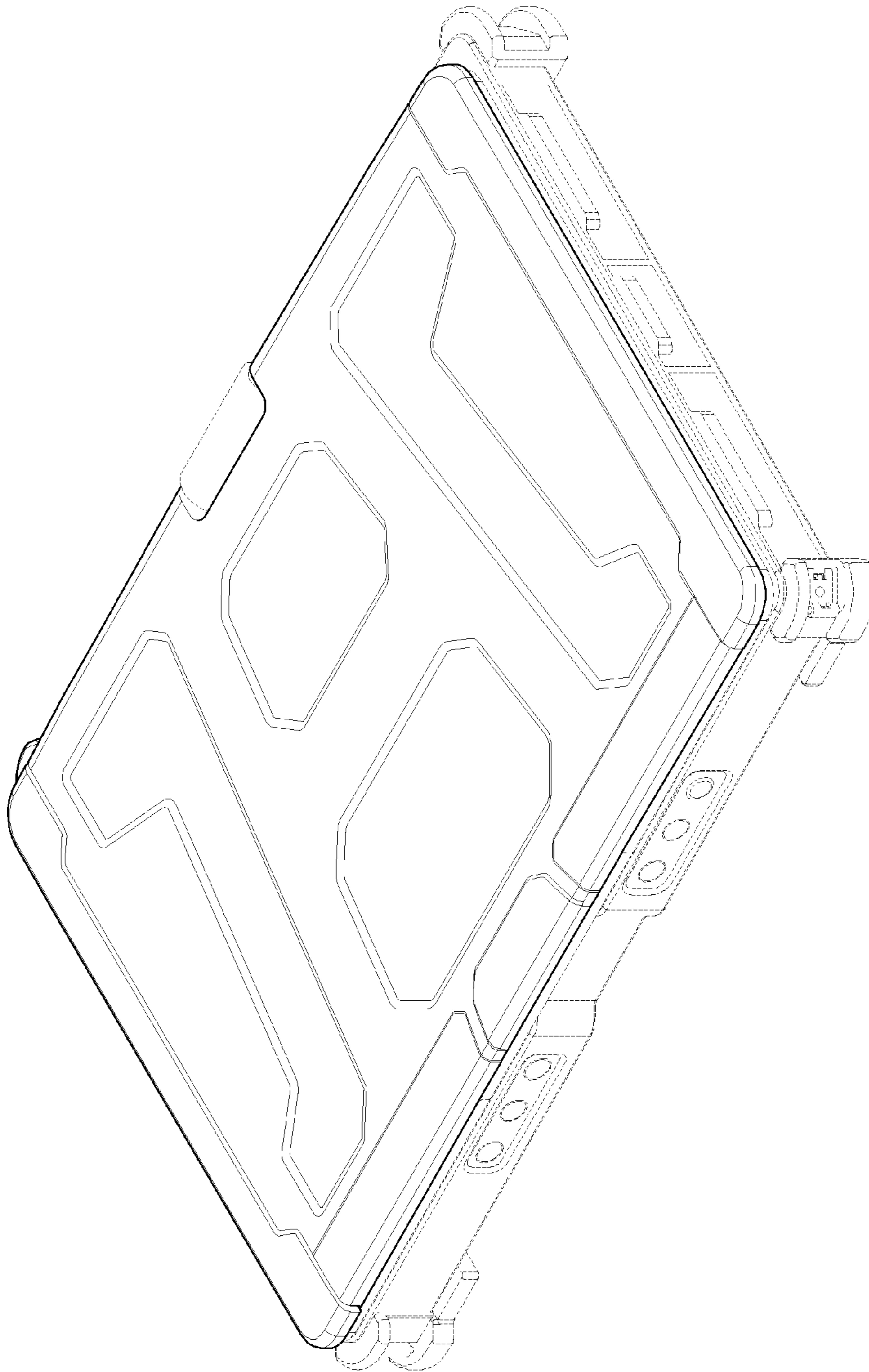


FIG. 8

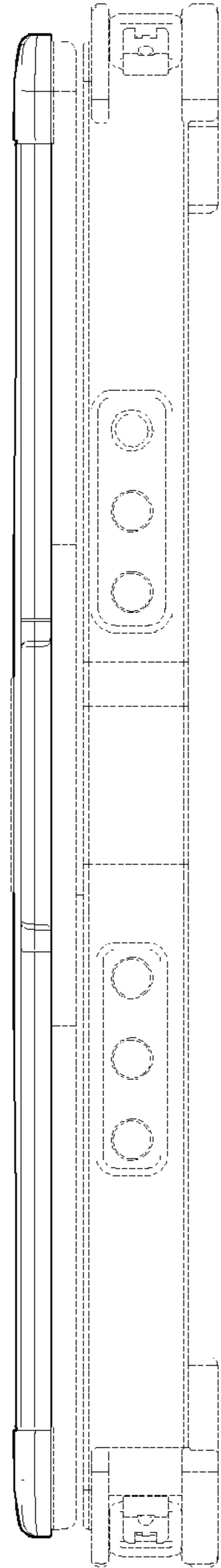


FIG. 9

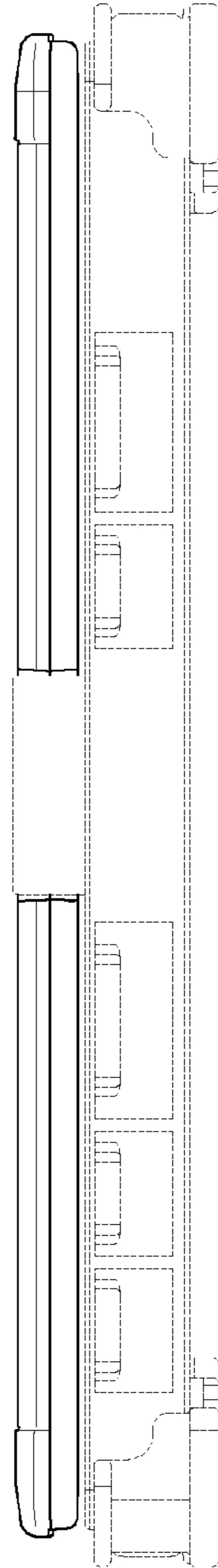


FIG. 10

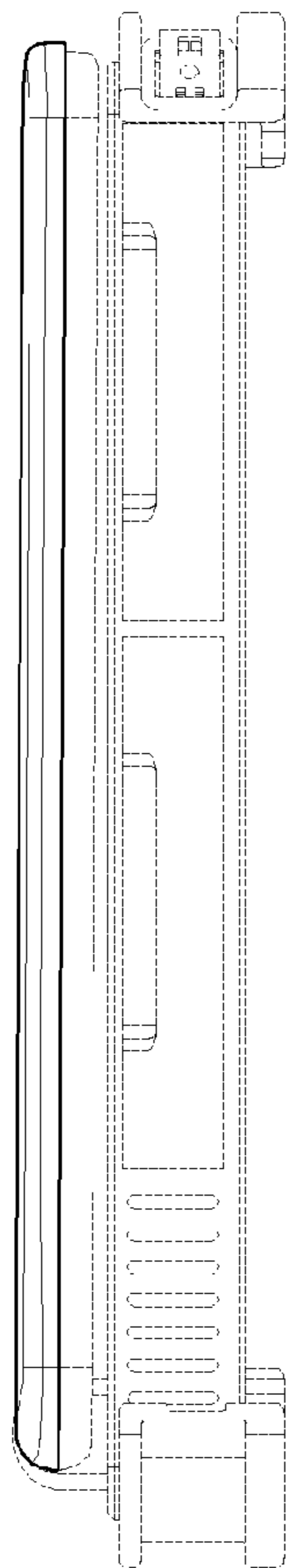


FIG. 11

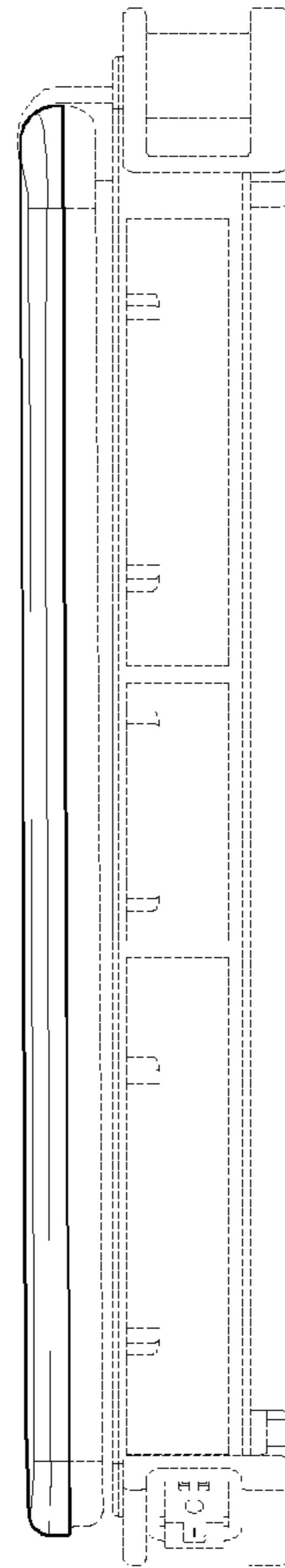


FIG. 12

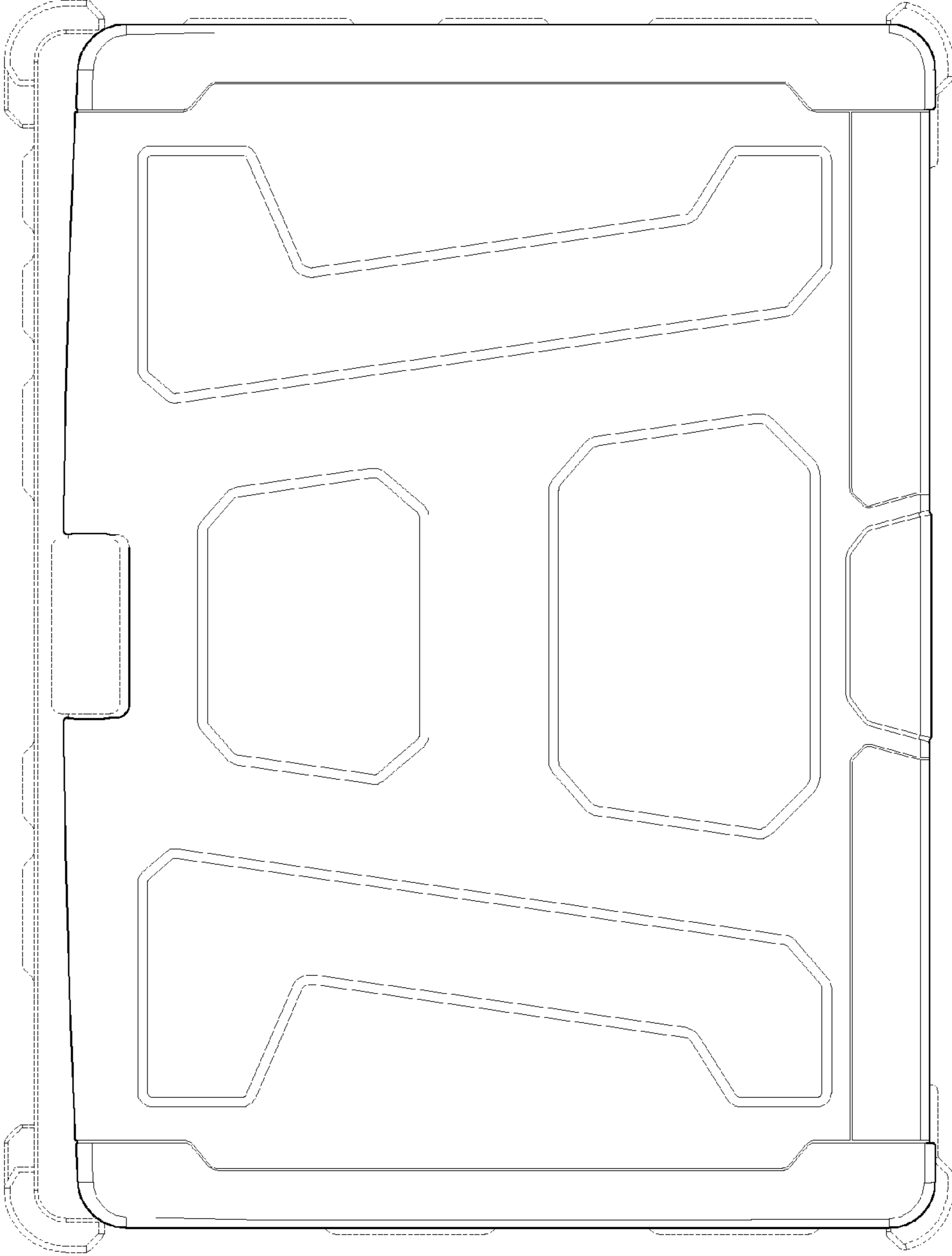


FIG.13

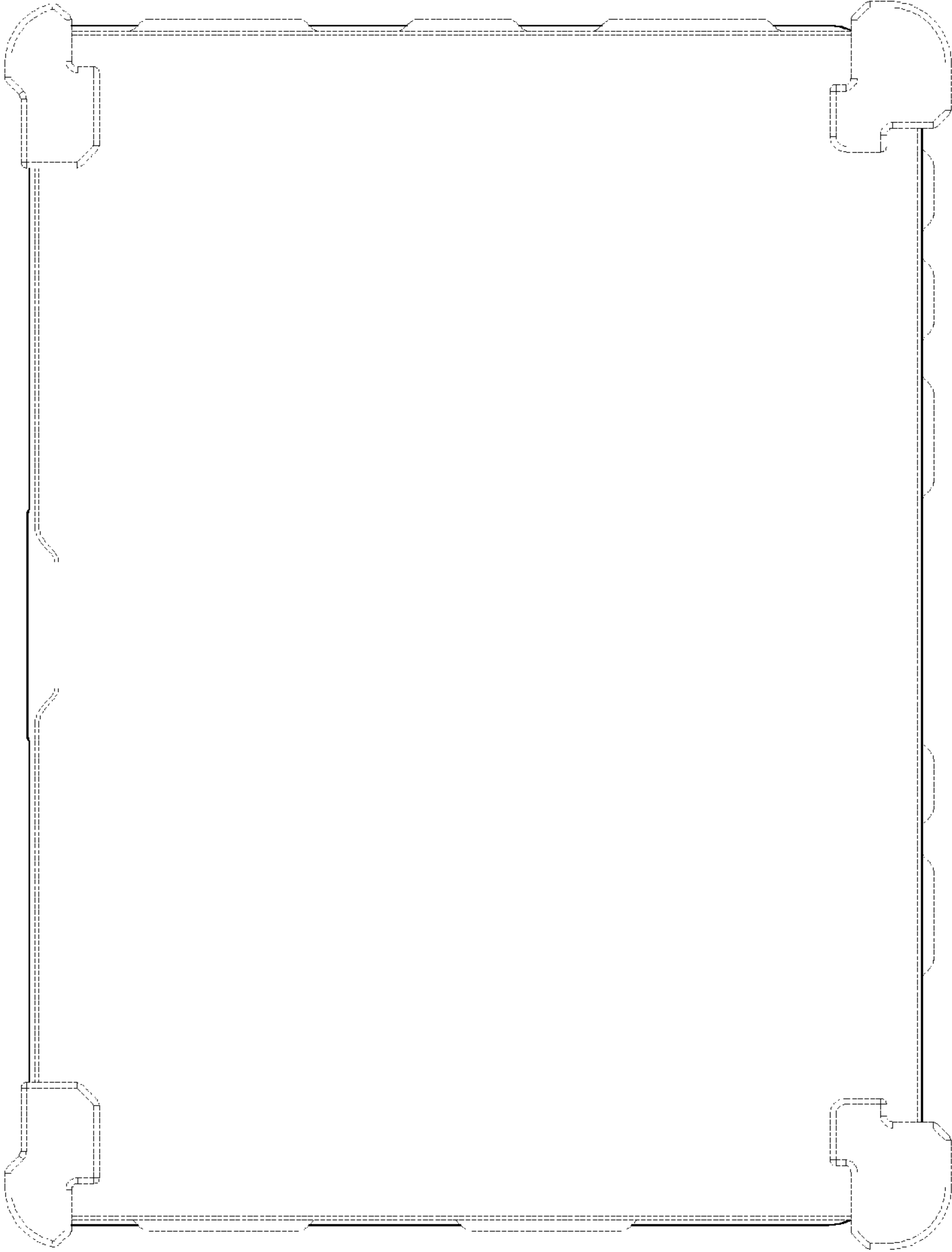


FIG.14