



US00D725115S

(12) **United States Design Patent**
Glanzer et al.

(10) **Patent No.:** **US D725,115 S**
(45) **Date of Patent:** **** Mar. 24, 2015**

(54) **CASE FOR ELECTRONIC DEVICE**

(71) Applicant: **1 Oak Technologies, LLC**, Fort Collins, CO (US)

(72) Inventors: **Matthew Glanzer**, Fort Collins, CO (US); **Lucas Weller**, Fort Collins, CO (US)

(73) Assignee: **Otter Products, LLC**, Fort Collins, CO (US)

(**) Term: **14 Years**

(21) Appl. No.: **29/450,828**

(22) Filed: **Mar. 24, 2013**

(51) **LOC (10) Cl.** **14-02**

(52) **U.S. Cl.**
USPC **D14/440**

(58) **Field of Classification Search**
CPC ... G06F 1/1601; G06F 1/1626; G06F 1/1633;
G06F 1/1675; G06F 1/1679; G02F 1/1306;
G02F 1/133; G02F 1/133308; G02F 1/153;
G02F 1/1533; G02F 2001/133317; H04M
1/185; H04M 1/0252; H04B 1/3888
USPC D14/250, 251, 253, 240, 217, 496, 440,
D14/203.3, 203.4, 203.5, 203.8, 341, 318;
D3/218, 215, 201, 294, 289, 900;
220/4.02; 248/309.1; 361/679.56;
379/426, 433.11, 455; 455/575.1,
455/575.8, 457.1; 190/100; 206/305, 320,
206/45.2; D21/469; 312/240
See application file for complete search history.

(56) **References Cited**

U.S. PATENT DOCUMENTS

D551,847 S *	10/2007	Yeap et al.	D3/201
D592,188 S *	5/2009	Huang	D14/217
D619,586 S *	7/2010	Richter	D14/447
D641,610 S *	7/2011	Sedalo	D8/354
D657,795 S *	4/2012	Smith et al.	D14/447

D660,305 S *	5/2012	Ho et al.	D14/447
D662,925 S *	7/2012	Mayberry et al.	D14/250
D669,481 S *	10/2012	Prescott et al.	D14/447
D669,890 S *	10/2012	Hopkins et al.	D14/251
D673,960 S *	1/2013	Lindfield et al.	D14/447
D674,803 S *	1/2013	Westrup	D14/440
D674,804 S *	1/2013	Cote	D14/447
D676,037 S *	2/2013	Schupsky	D14/253
D679,693 S *	4/2013	Rashid	D14/250
D682,281 S *	5/2013	Barnard et al.	D14/447
D685,376 S *	7/2013	Kim	D14/439
D686,629 S *	7/2013	Trinh et al.	D14/447
D689,502 S *	9/2013	Belitz et al.	D14/447
2003/0222149 A1 *	12/2003	Solomon et al.	235/472.01
2004/0155859 A1 *	8/2004	Lee	345/156
2008/0099646 A1 *	5/2008	Kobara et al.	248/309.1
2008/0237432 A1 *	10/2008	Patterson	248/458
2011/0192269 A1 *	8/2011	Voorhees	84/421

(Continued)

Primary Examiner — Cynthia Underwood

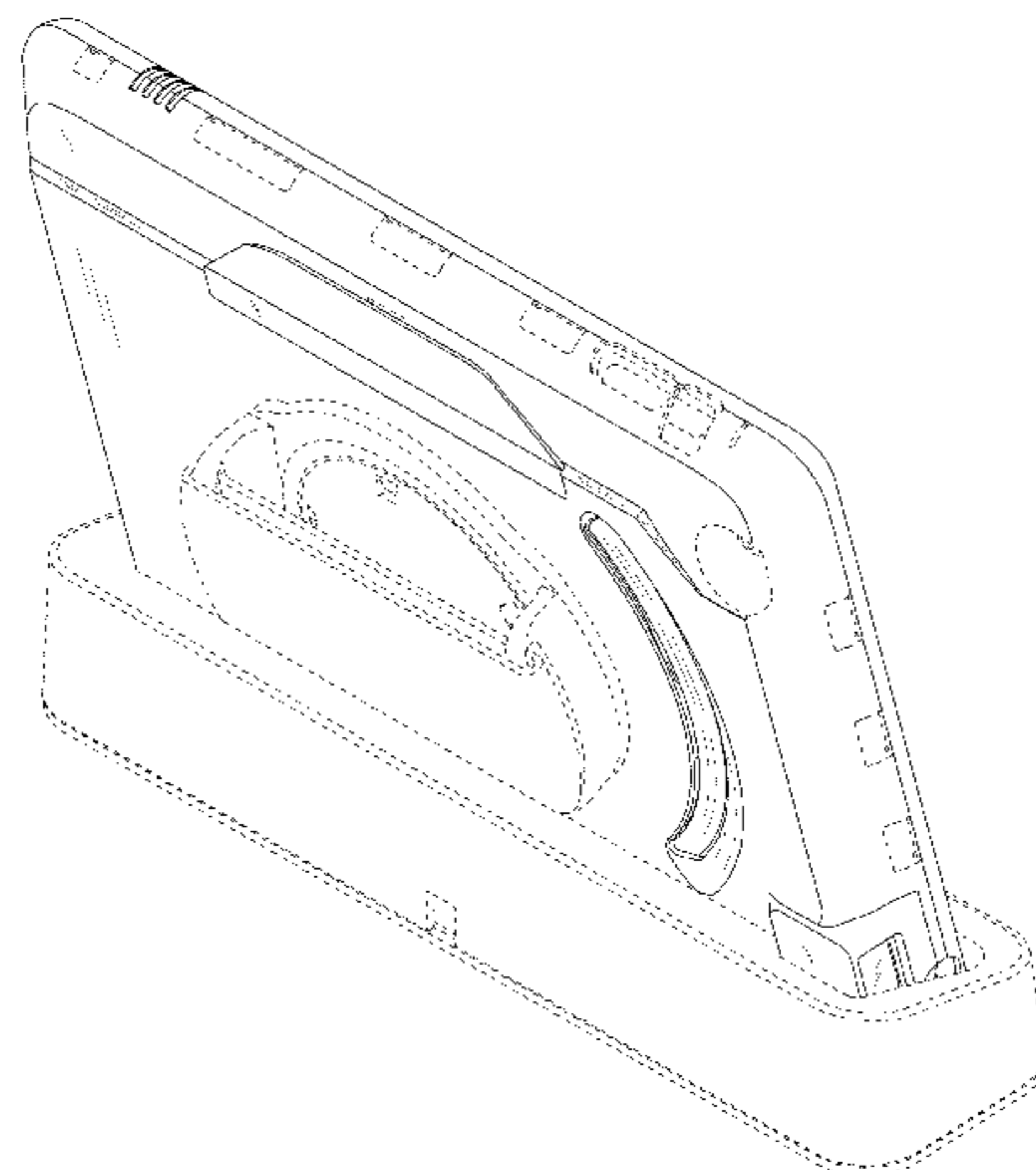
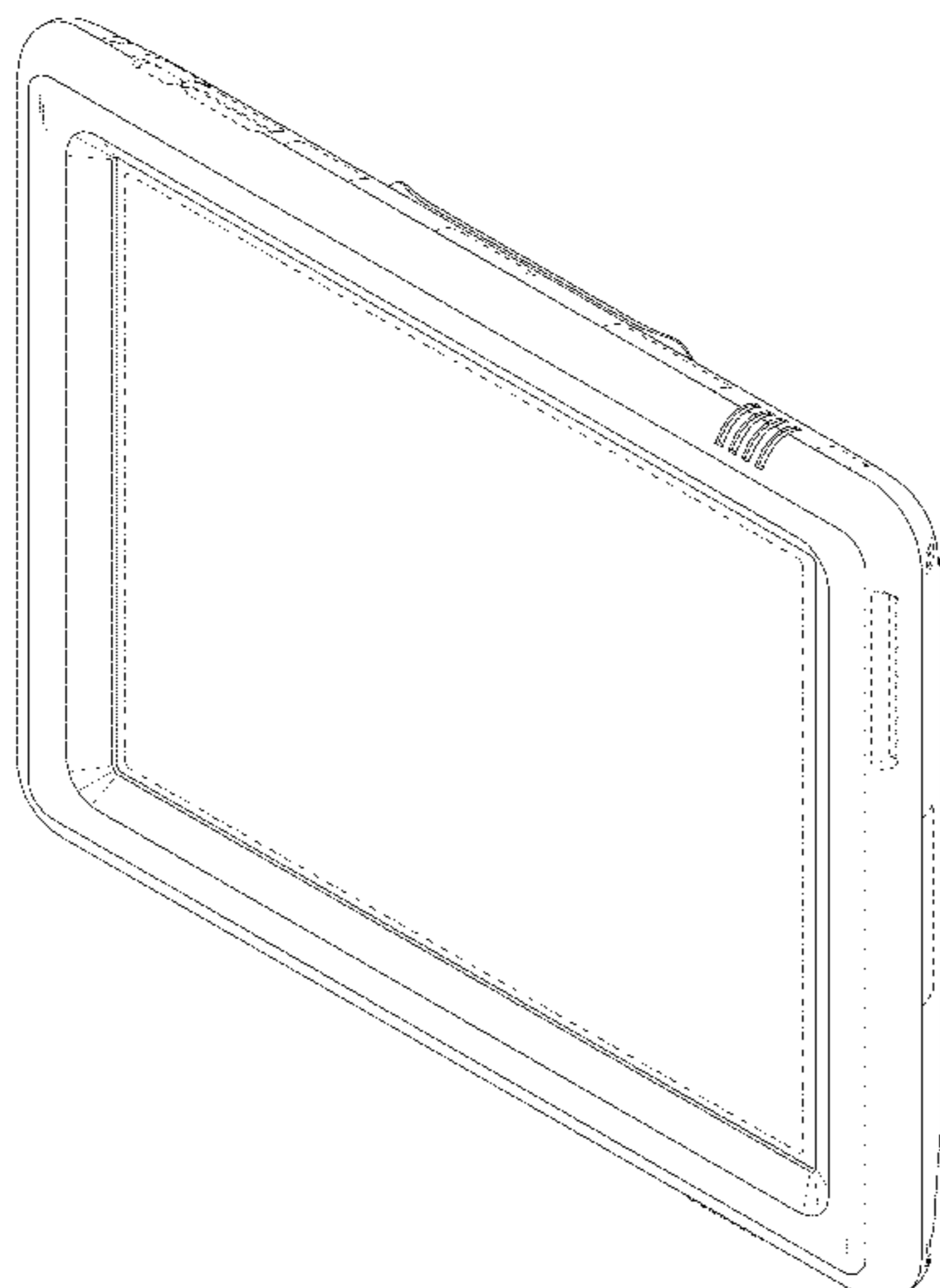
(57) **CLAIM**

The ornamental design for a case for electronic device, as shown and described.

DESCRIPTION

FIG. 1 is a front isometric view of a first embodiment of a case for electronic device showing our new design;
FIG. 2 is a rear isometric view thereof;
FIG. 3 is a front view thereof;
FIG. 4 is a rear view thereof;
FIG. 5 is a left view thereof;
FIG. 6 is a right view thereof;
FIG. 7 is a top view thereof;
FIG. 8 is a bottom view thereof;
FIG. 9 is a front isometric view of a second embodiment of a case for electronic device; and,
FIG. 10 is a rear isometric view thereof.
The dot-dash-dot broken lines represent a boundary of the claimed design. The dash-dash-dash broken lines depict unclaimed environment. The broken lines form no part of the claimed design.

1 Claim, 8 Drawing Sheets



US D725,115 S

Page 2

(56)

References Cited

U.S. PATENT DOCUMENTS

2012/0074272	A1*	3/2012	Hull	248/122.1
2012/0091312	A1*	4/2012	Baker	248/682
2012/0193496	A1*	8/2012	Li	248/316.1
2011/0310553	A1*	12/2011	Hsiao	361/679.55
2012/0043247	A1*	2/2012	Westrup	206/472

* cited by examiner

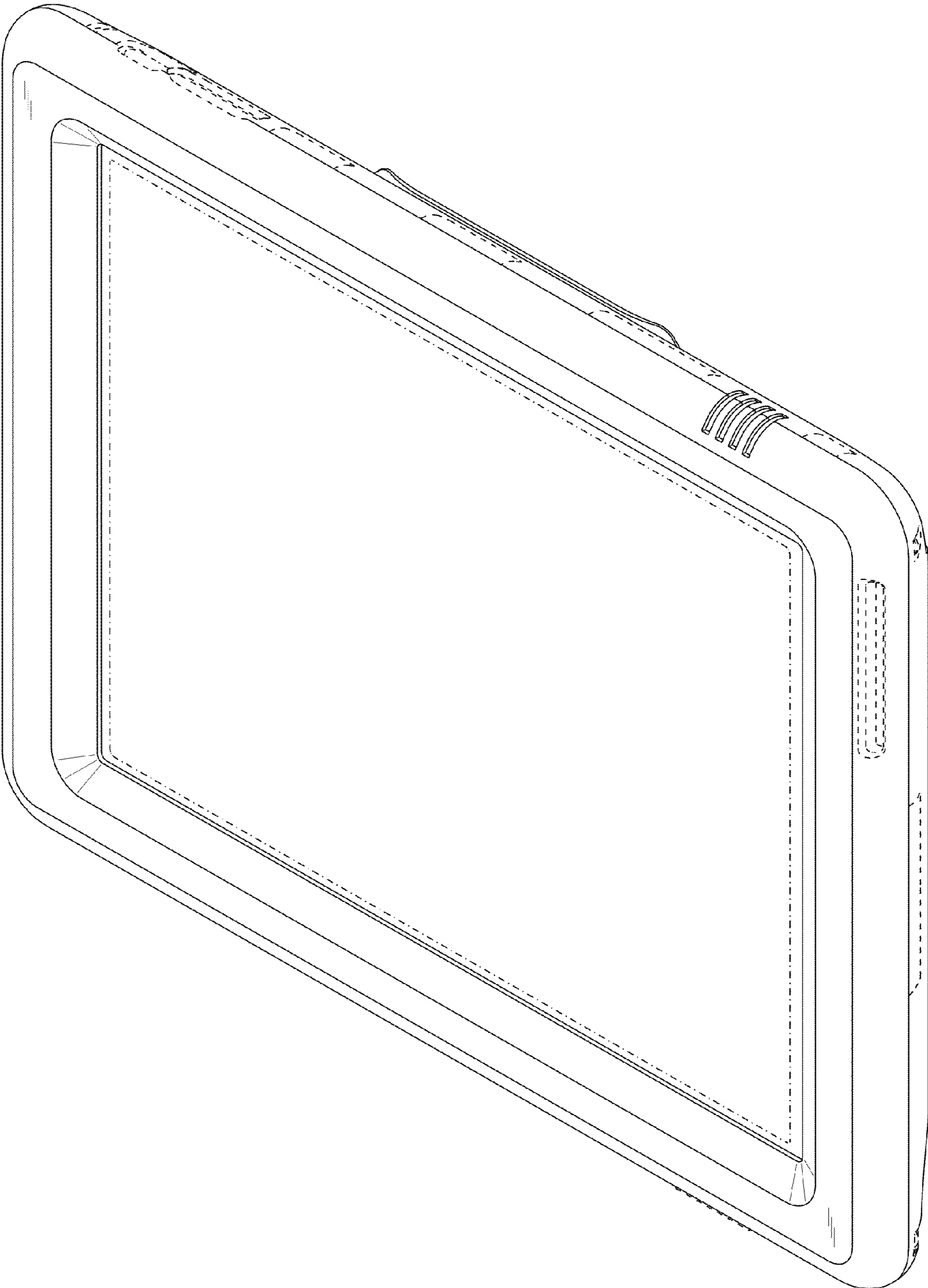


FIG. 1

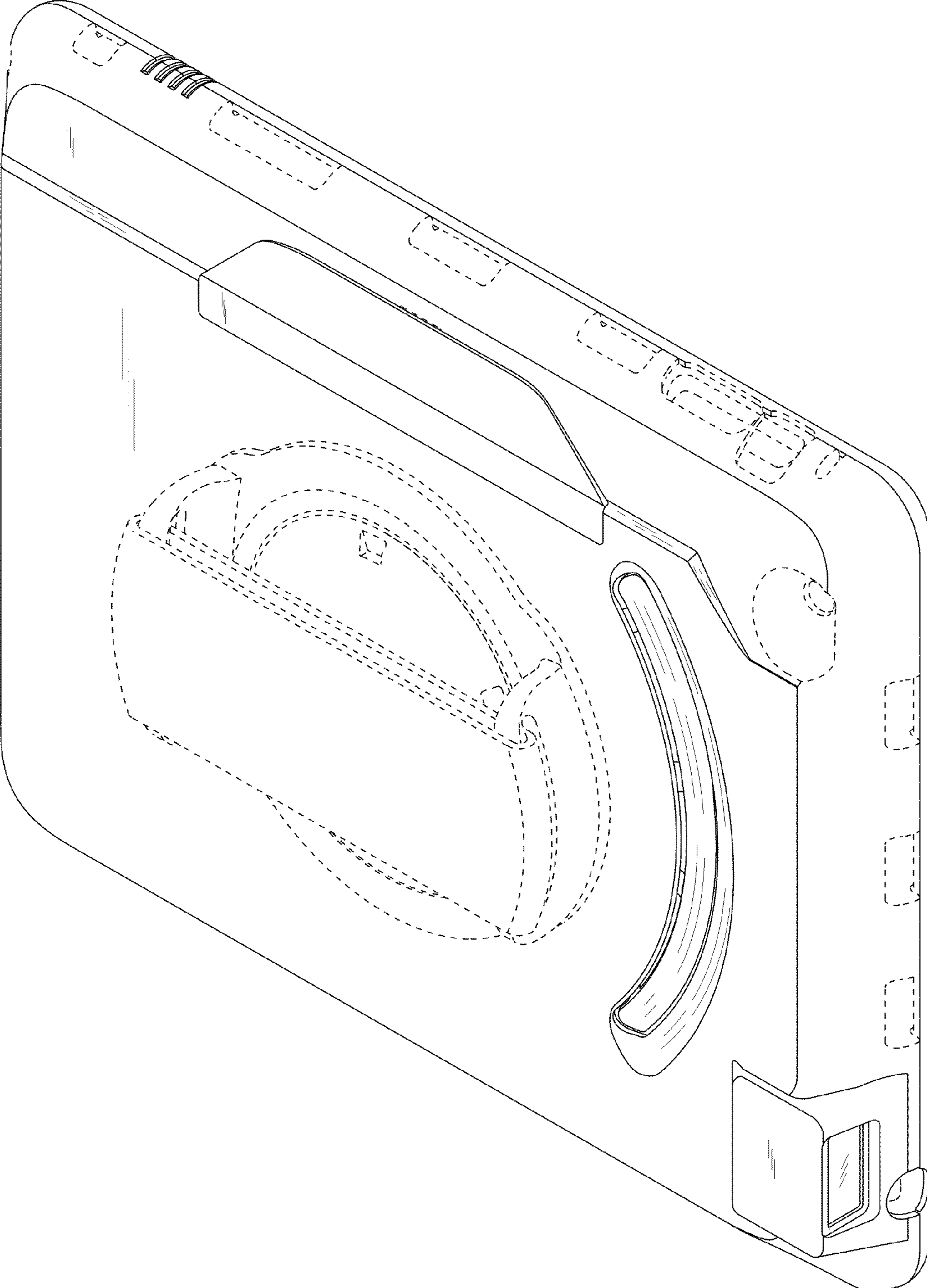


FIG. 2

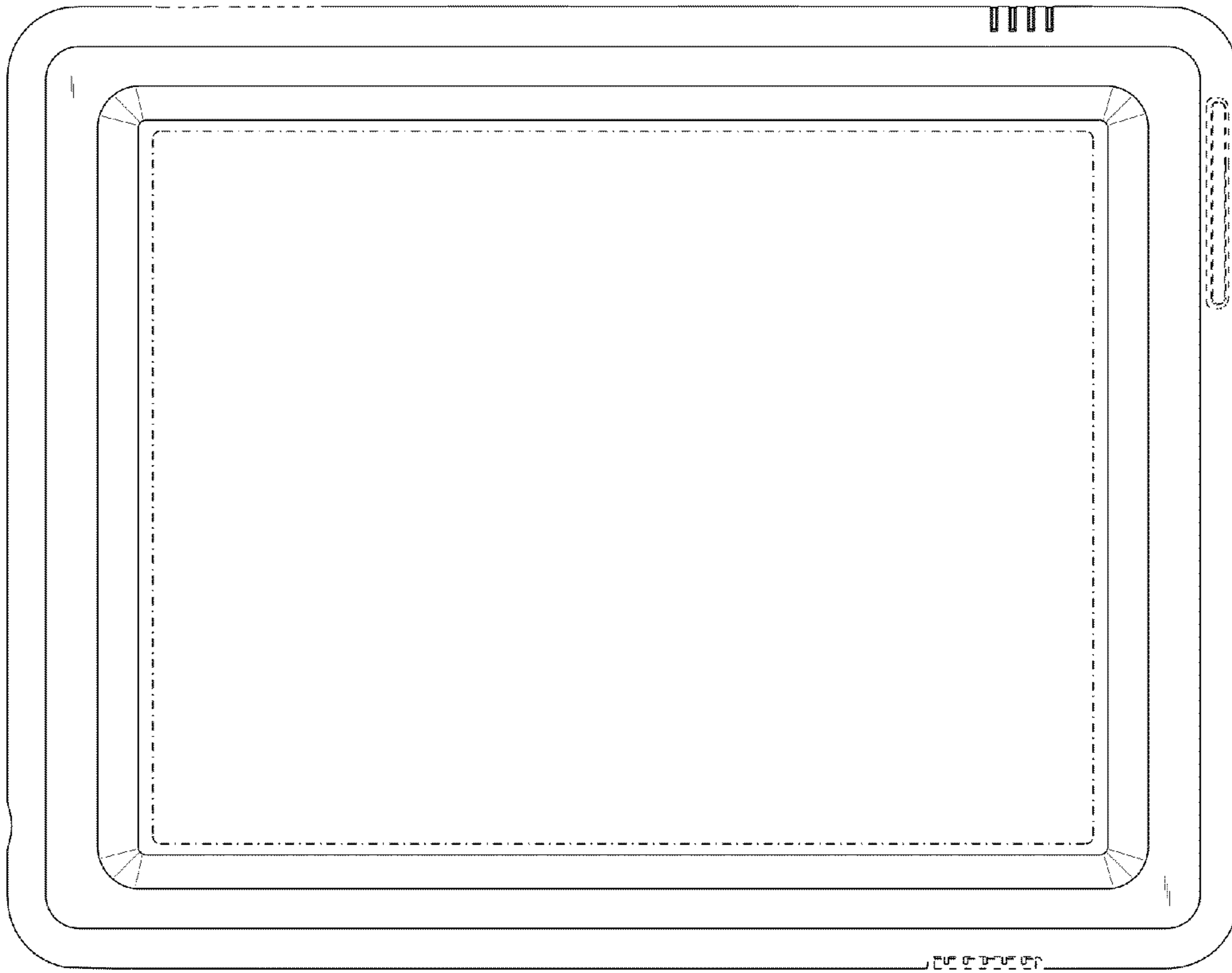


FIG. 3

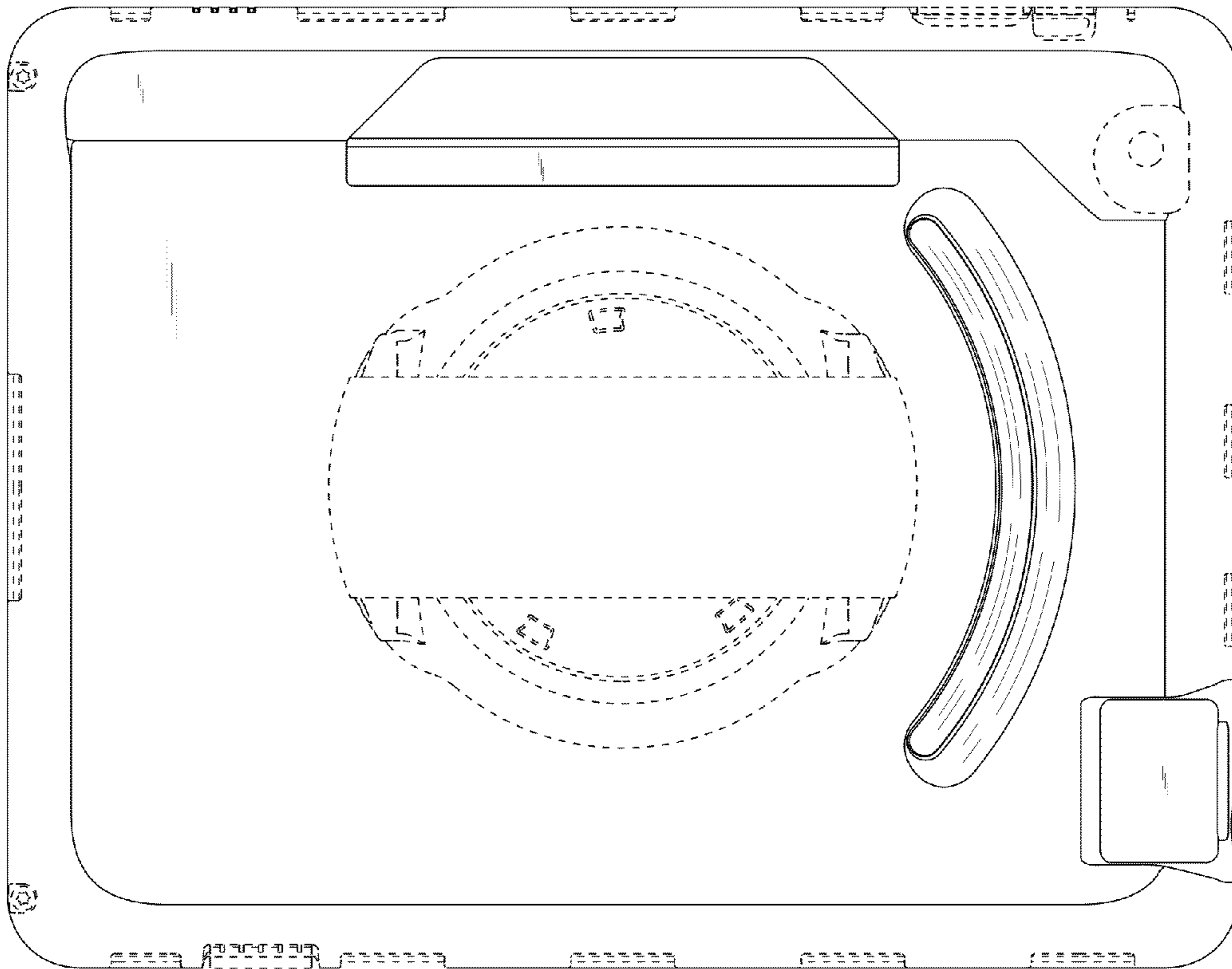


FIG. 4

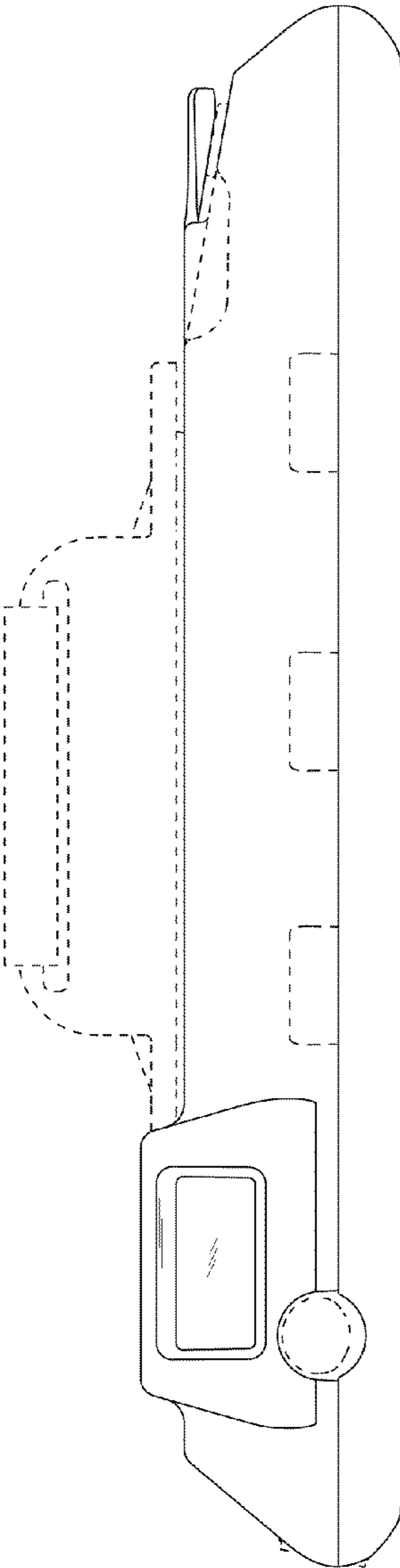


FIG. 5

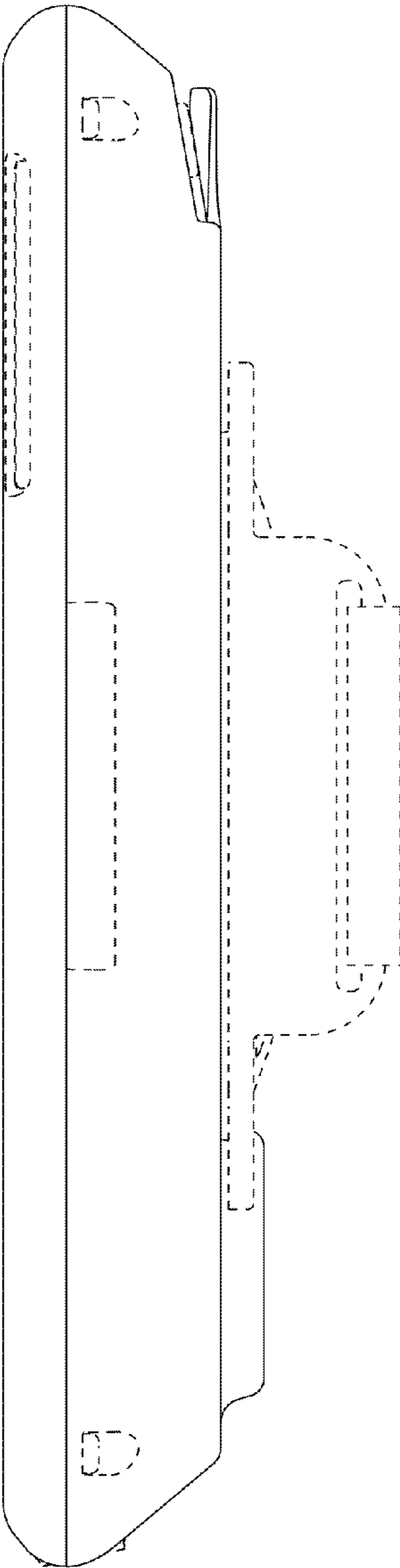


FIG. 6

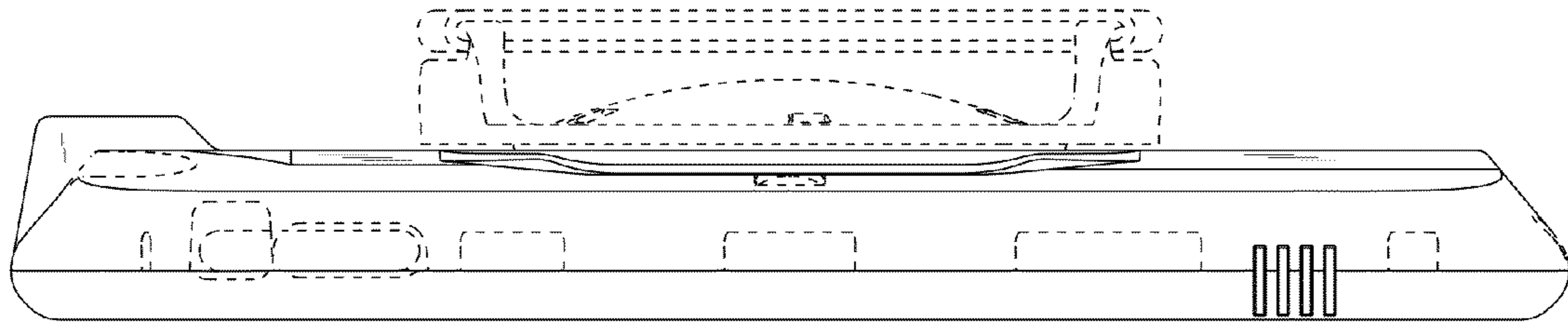


FIG. 7

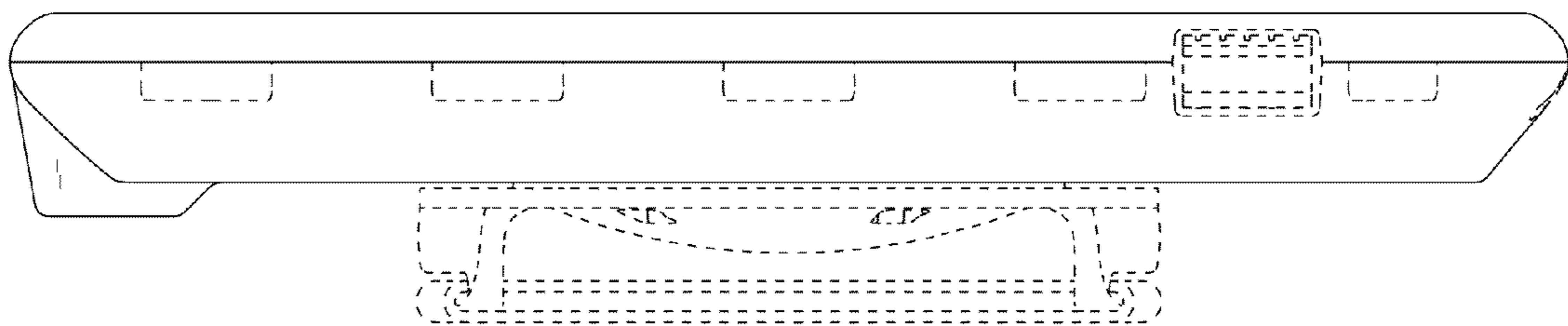


FIG. 8

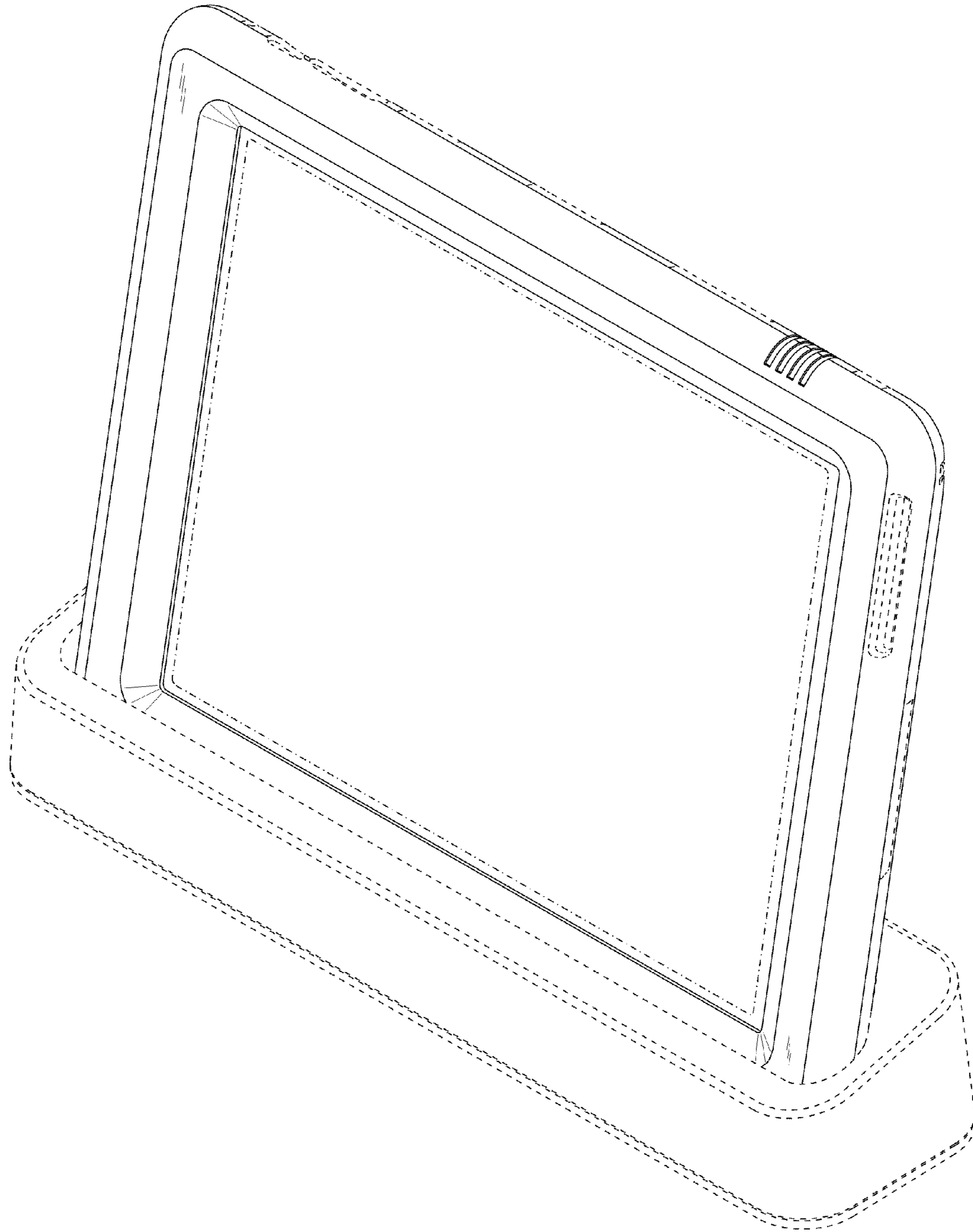


FIG. 9

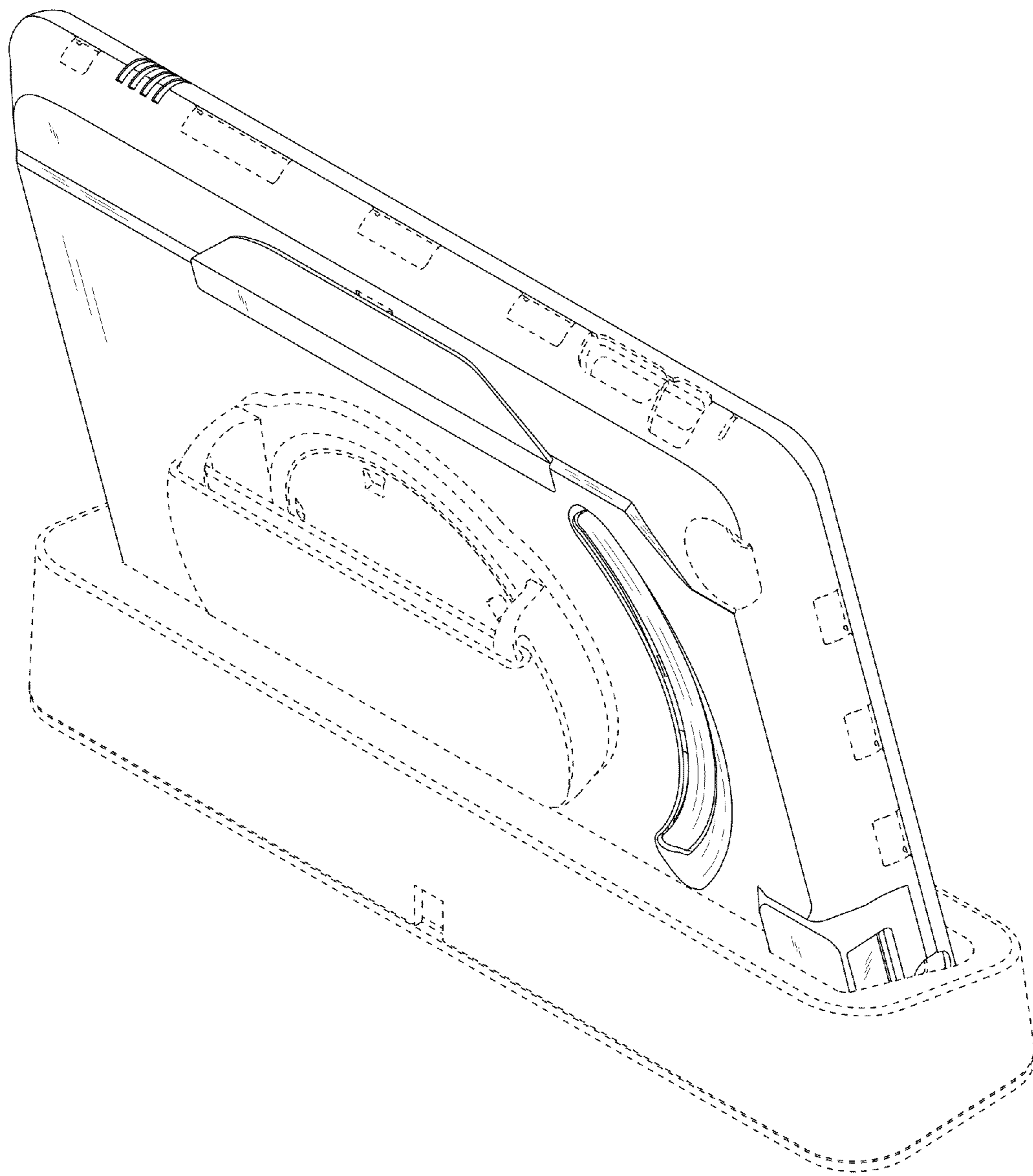


FIG. 10