



US00D725110S

(12) **United States Design Patent**  
**Francke**

(10) **Patent No.:** **US D725,110 S**  
(45) **Date of Patent:** **\*\* Mar. 24, 2015**

(54) **PROJECTED INTERFACE DEVICE**

(71) Applicant: **Hewlett-Packard Development Company, L.P.**, Houston, TX (US)

(72) Inventor: **Justin D. Francke**, La Mesa, CA (US)

(73) Assignee: **Hewlett-Packard Development Company, LP**, Houston, TX (US)

(\*\*) Term: **14 Years**

(21) Appl. No.: **29/433,579**

(22) Filed: **Oct. 2, 2012**

(51) **LOC (10) Cl.** ..... **14-02**

(52) **U.S. Cl.**  
USPC ..... **D14/388**; D14/420; D16/232

(58) **Field of Classification Search**  
USPC ..... D14/371, 375, 376, 439, 447, 448, 451, D14/452, 209.1, 217, 224, 238, 299, 388, D14/389, 420; D26/62, 93, 107, 113; D7/396.2, 396.6, 509, 537; D16/232, D16/221; 348/373, 333.1, 135, 143  
See application file for complete search history.

(56) **References Cited**

**U.S. PATENT DOCUMENTS**

D424,735	S	*	5/2000	Newhouse	.....	D26/108
D426,239	S	*	6/2000	Adachi	.....	D14/420
D471,061	S	*	3/2003	Kerman	.....	D7/396.6
D477,499	S	*	7/2003	Kerman	.....	D7/396.2
D509,507	S	*	9/2005	Myles et al.	.....	D14/420
D562,331	S	*	2/2008	Li	.....	D14/452
D589,642	S	*	3/2009	Chen	.....	D26/107
D608,937	S	*	1/2010	Li et al.	.....	D26/98
D617,329	S	*	6/2010	Woodward et al.	.....	D14/451
D624,231	S	*	9/2010	Karim	.....	D26/93
D629,956	S	*	12/2010	Newhouse	.....	D26/93
D638,979	S	*	5/2011	Sun et al.	.....	D26/93
D650,512	S	*	12/2011	Hine et al.	.....	D26/93
D683,735	S	*	6/2013	Chang	.....	D14/451
D689,237	S	*	9/2013	Ke	.....	D26/107

D689,641	S	*	9/2013	Huang	.....	D26/62
D692,608	S	*	10/2013	Douglas	.....	D26/93
D699,242	S	*	2/2014	Hu	.....	D14/423
D702,243	S	*	4/2014	Oh et al.	.....	D14/447
D709,074	S	*	7/2014	Tsui et al.	.....	D14/447
8,896,688	B2	*	11/2014	Blanton et al.	.....	348/135
2007/0035655	A1	*	2/2007	Chen et al.	.....	348/373
2008/0291321	A1	*	11/2008	Maruyama et al.	.....	348/373
2014/0139668	A1	*	5/2014	Short	.....	348/143
2014/0139717	A1	*	5/2014	Short	.....	348/333.1
2014/0176735	A1	*	6/2014	Short et al.	.....	348/207.1
2014/0267866	A1	*	9/2014	Short et al.	.....	348/333.1

**OTHER PUBLICATIONS**

Fast Company Content Studios Staff Writer. "Slideshow: From Seed to Sprout, A Story of Innovation inside the Walls of HP." HP Matter: The Transportation Issue. Fall 2014. Web. Dec. 10, 2014. <<https://ssl.www8.hp.com/hpmatter/slideshow-blended-reality-technology-sprout-by-hp-immersive-computing-platform>>. (16 pages).\*

\* cited by examiner

*Primary Examiner* — Deanna L Pratt

(74) *Attorney, Agent, or Firm* — Rathe Lindenbaum LLP

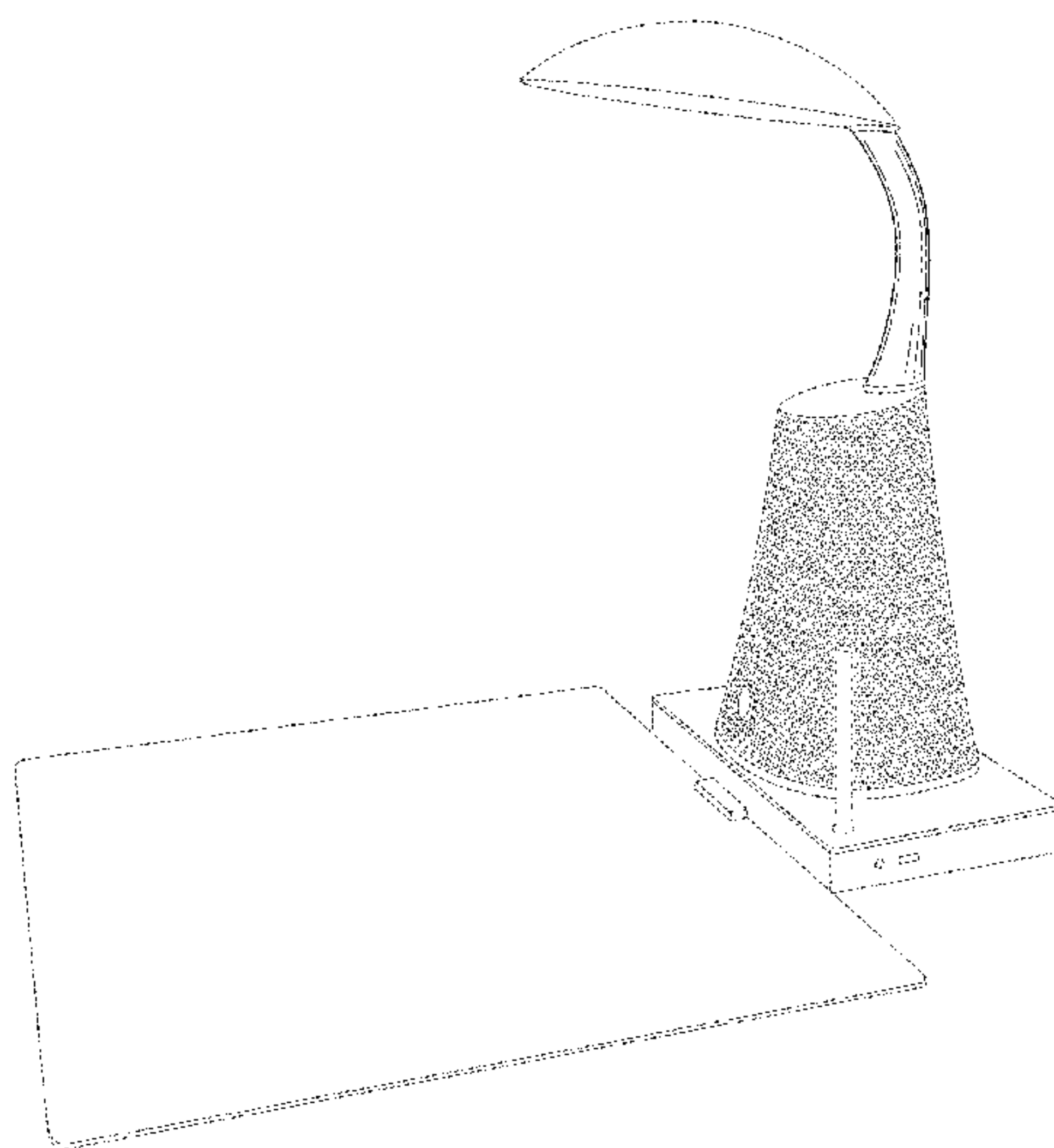
(57) **CLAIM**

We claim the ornamental design for a projected interface device, as shown and described.

**DESCRIPTION**

FIG. 1 is a top perspective view of a projected interface device;  
FIG. 2 is a front view thereof;  
FIG. 3 is a rear view thereof;  
FIG. 4 is a right side view thereof;  
FIG. 5 is a left side view thereof; and,  
FIG. 6 is a top view thereof.  
The dash-dash broken lines in the drawings are environmental lines which do not form part of the claimed design. The short dash-long dash lines are boundary lines which do not form part of the claimed design.

**1 Claim, 6 Drawing Sheets**



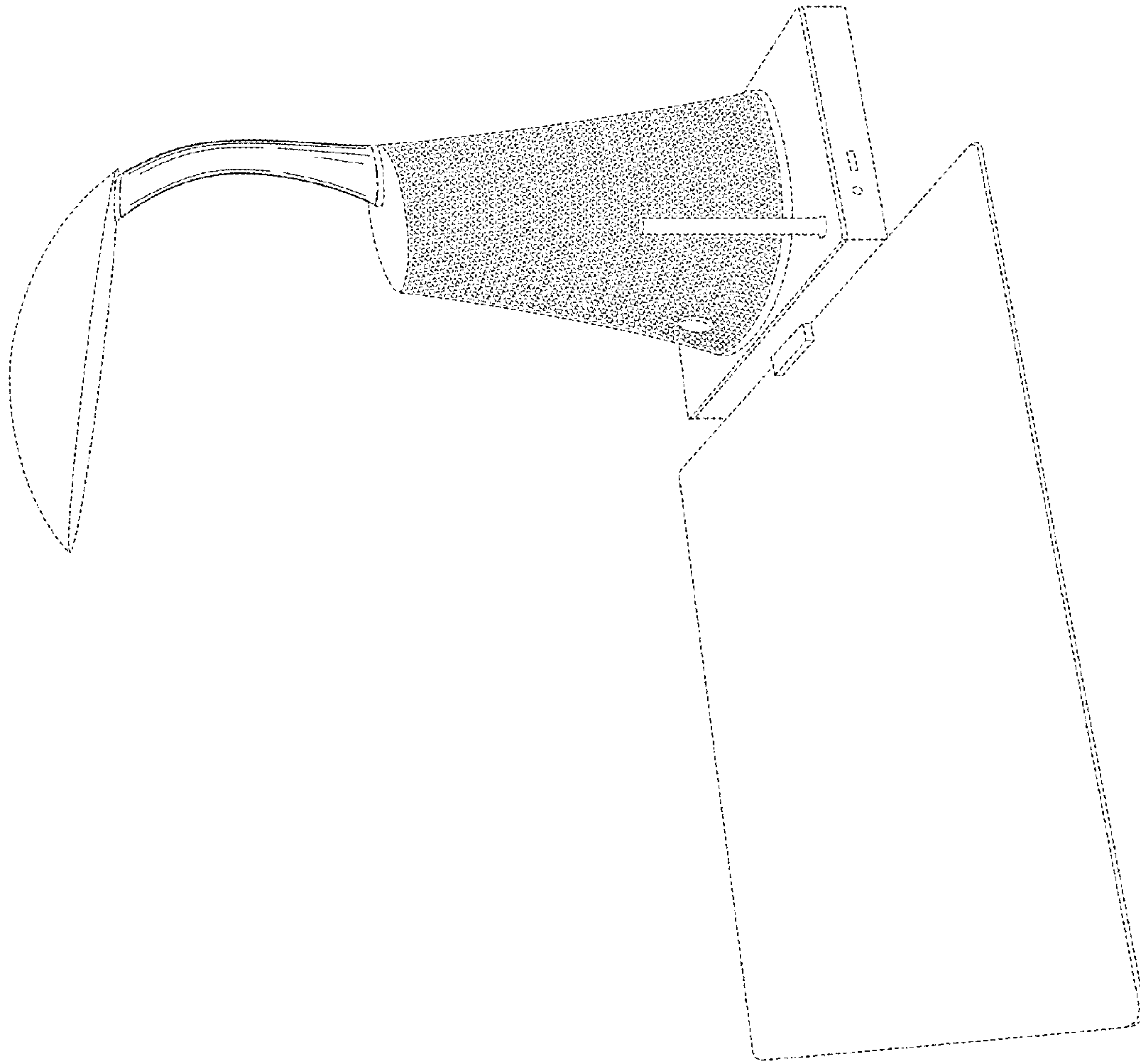


FIG. 1

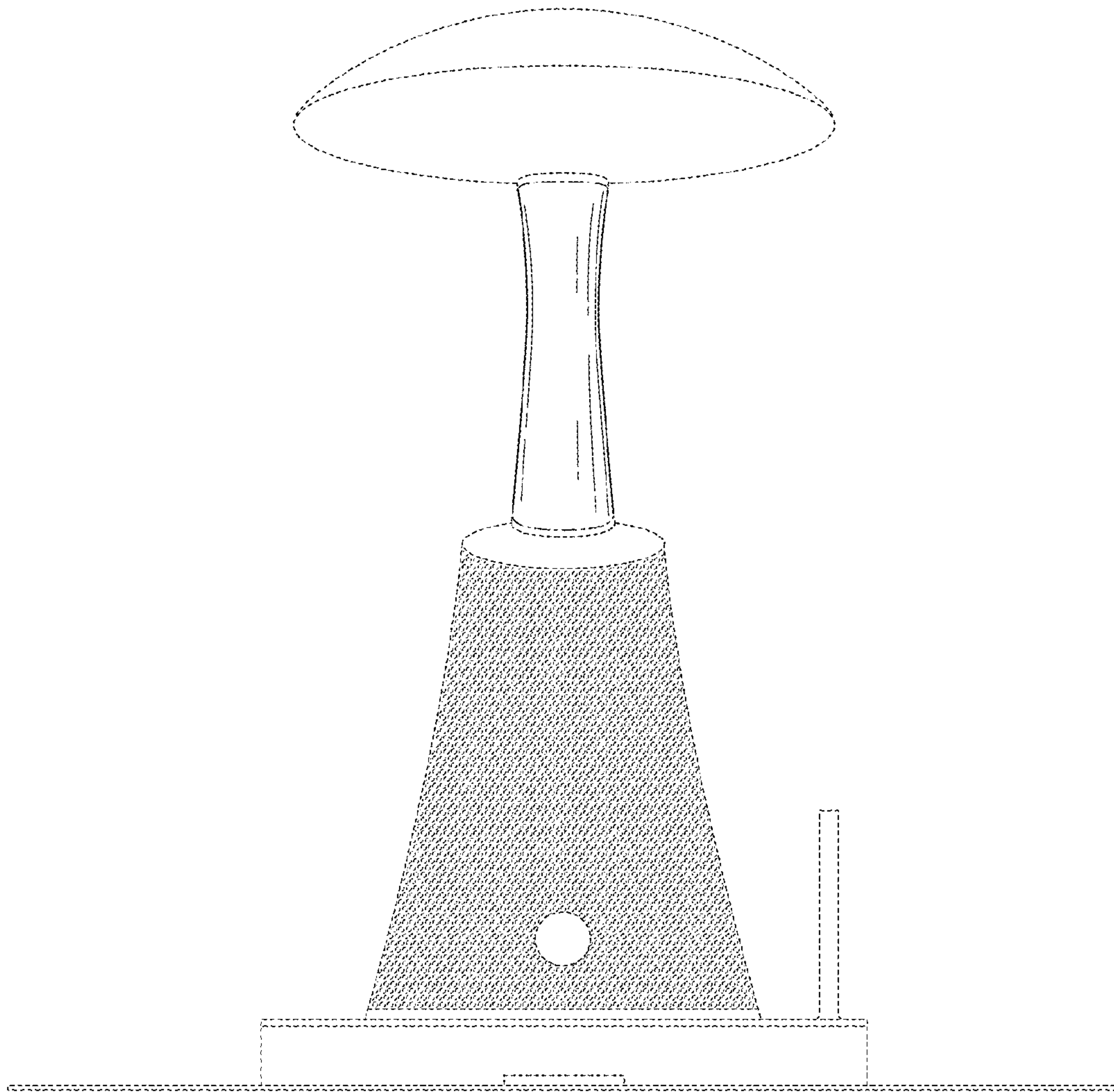
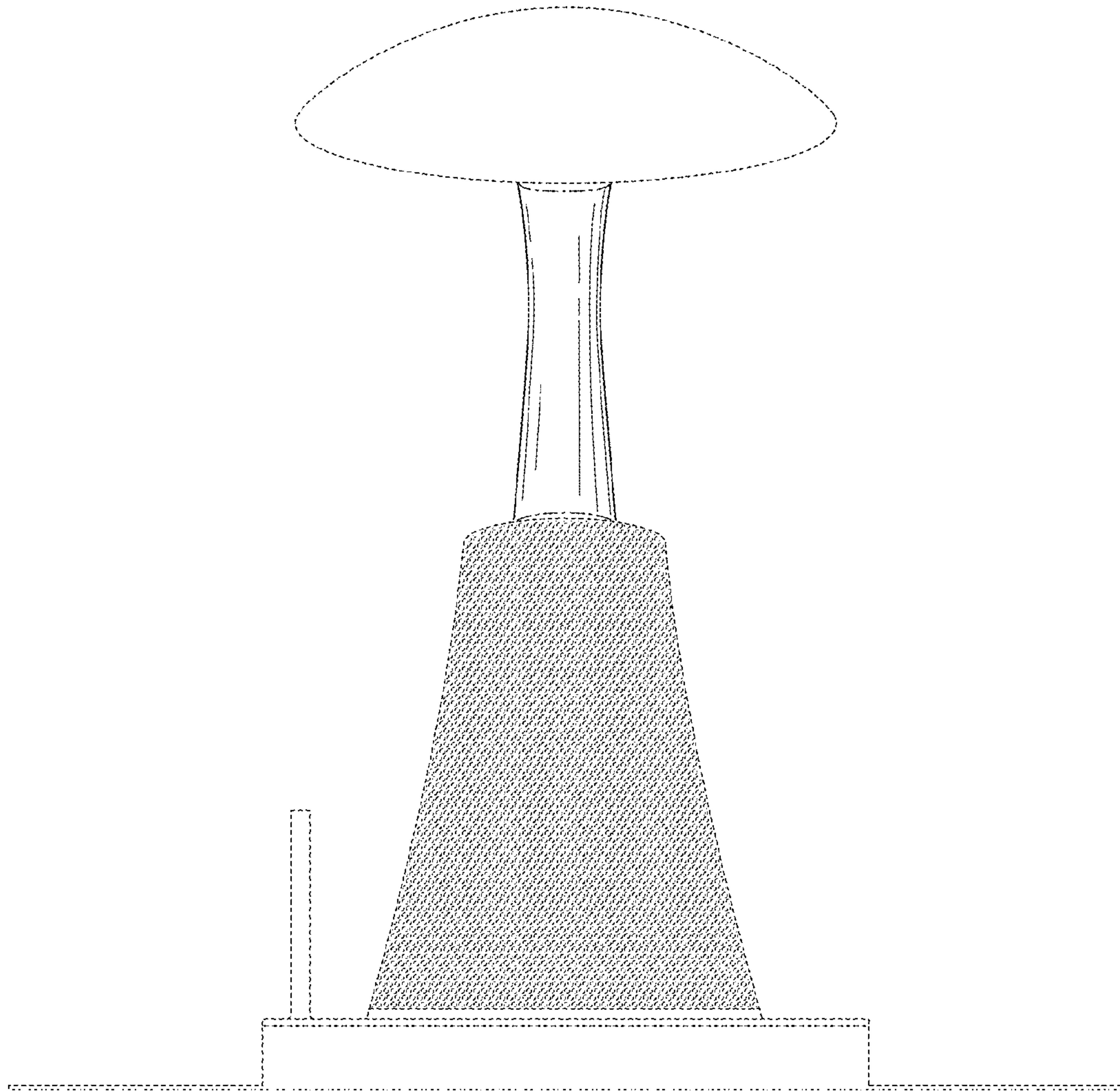


FIG. 2



**FIG. 3**



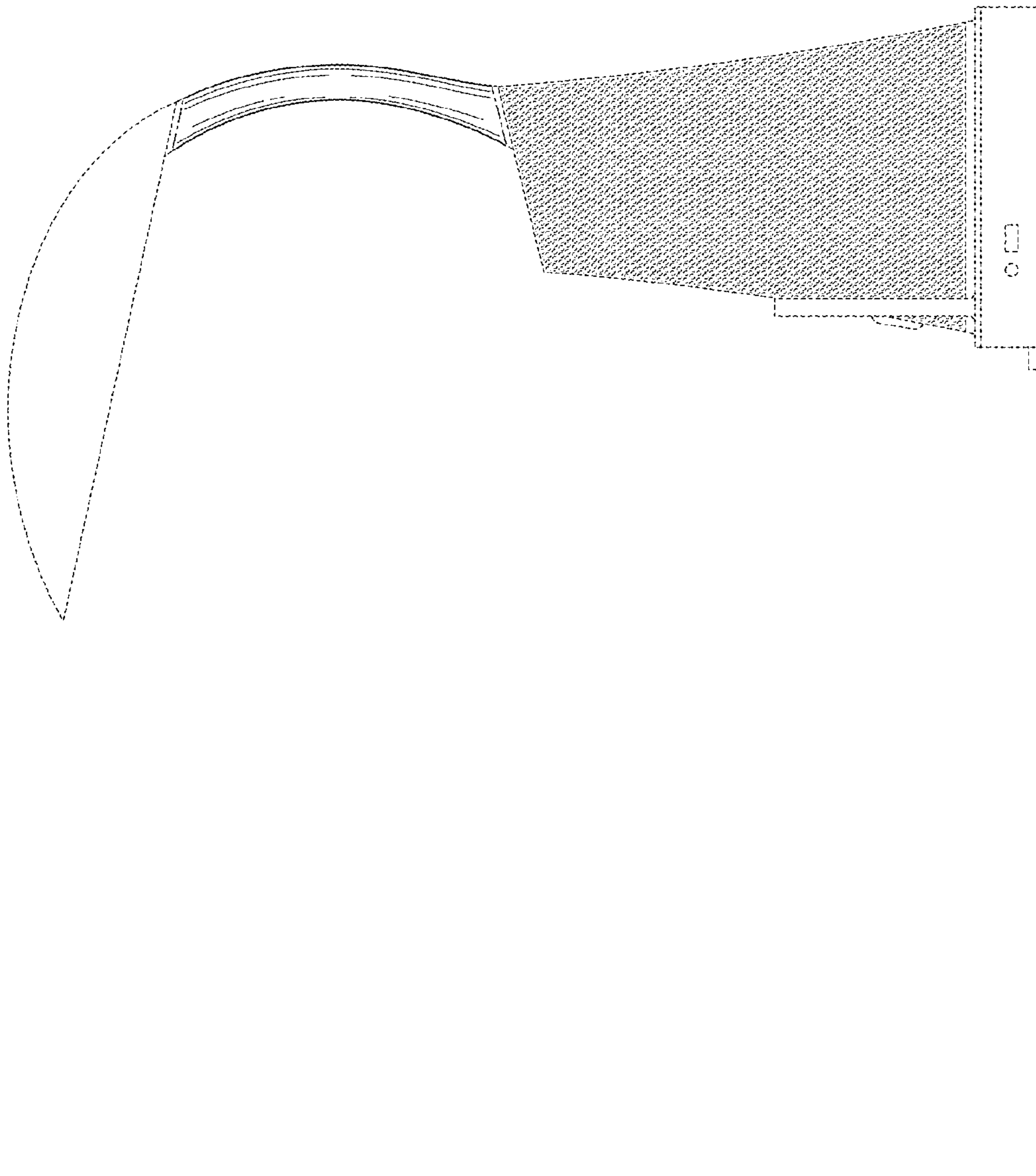


FIG. 4

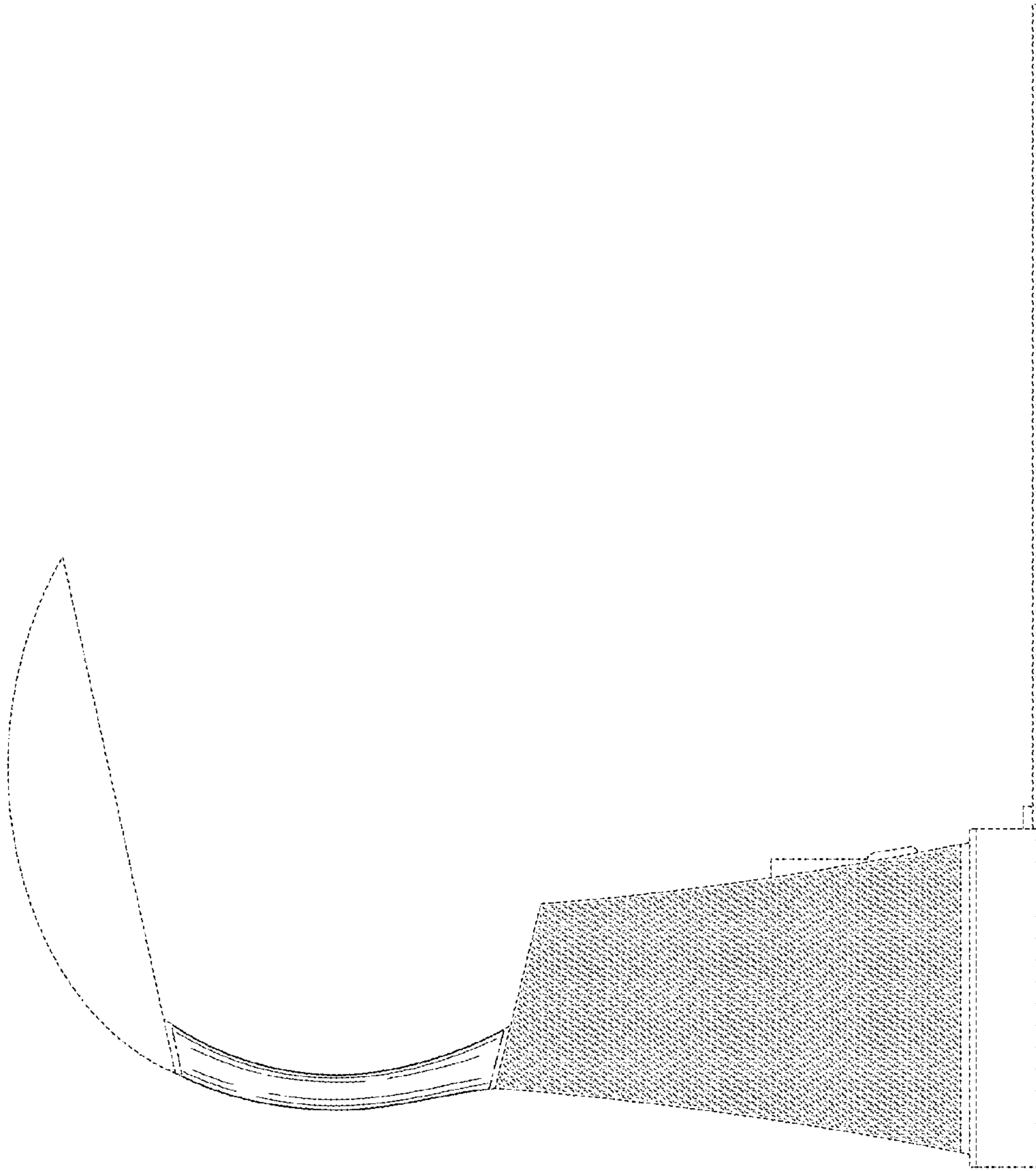


FIG. 5

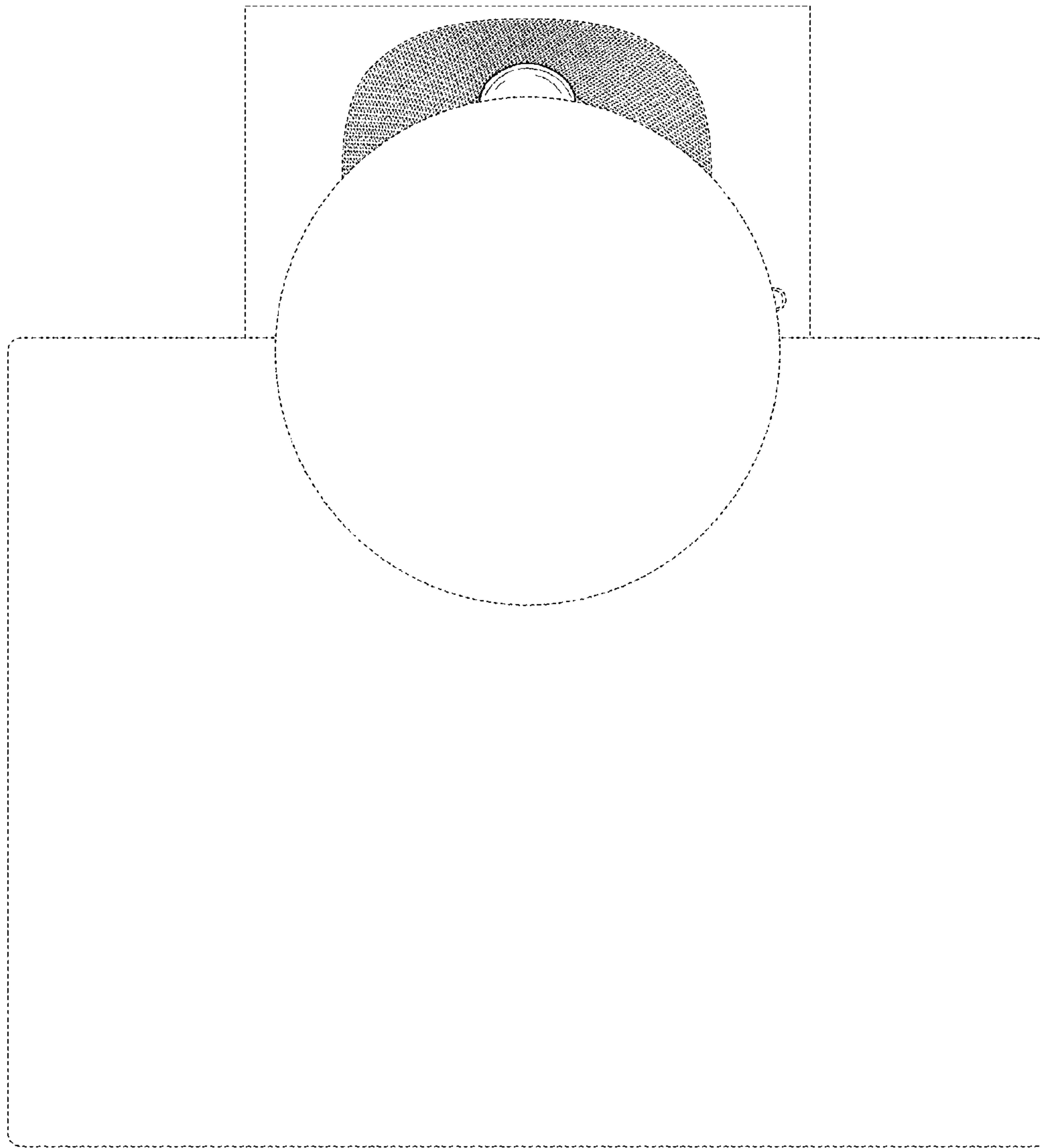


FIG. 6