



US00D725109S

(12) **United States Design Patent**  
**Azuma**

(10) **Patent No.:** **US D725,109 S**  
(45) **Date of Patent:** **\*\* Mar. 24, 2015**

(54) **PERSONAL DIGITAL ASSISTANT WITH A PAYMENT DEVICE**

(71) Applicant: **Yoshihiro Azuma**, Tokyo (JP)

(72) Inventor: **Yoshihiro Azuma**, Tokyo (JP)

(\*\*) Term: **14 Years**

(21) Appl. No.: **29/500,988**

(22) Filed: **Aug. 29, 2014**

(30) **Foreign Application Priority Data**

Mar. 3, 2014 (JP) ..... 2014-004536

(51) **LOC (10) Cl.** ..... **14-02**

(52) **U.S. Cl.**  
USPC ..... **D14/385**

(58) **Field of Classification Search**  
USPC ..... D13/107, 108, 133, 146, 147, 152, 154,  
D13/156, 158, 162; D14/371, 373-376,  
D14/382, 385-387, 394, 399; D21/324,  
D21/329, 332, 333; D99/28, 34-36, 43;  
235/375, 380, 439, 441, 451, 492;  
361/600, 679.01, 679.02, 679.31  
See application file for complete search history.

(56) **References Cited**

**U.S. PATENT DOCUMENTS**

5,932,866 A \* 8/1999 Terada et al. .... 235/487  
D595,252 S \* 6/2009 Schuler Thorne et al. ... D14/129  
D681,639 S \* 5/2013 Cruz et al. .... D14/385  
D691,141 S \* 10/2013 Cruz ..... D14/439  
D692,885 S \* 11/2013 Cruz ..... D14/385

D698,384 S \* 1/2014 Cruz ..... D18/4.4  
D700,602 S \* 3/2014 Chen et al. .... D14/336  
D707,676 S \* 6/2014 Azuma ..... D14/385  
D707,677 S \* 6/2014 Azuma ..... D14/385  
D707,678 S \* 6/2014 Azuma ..... D14/385  
D709,069 S \* 7/2014 Cruz et al. .... D14/385  
D716,300 S \* 10/2014 Cruz et al. .... D14/385

\* cited by examiner

*Primary Examiner* — Austin Murphy

(74) *Attorney, Agent, or Firm* — Muncy, Geissler, Olds & Lowe, P.C.

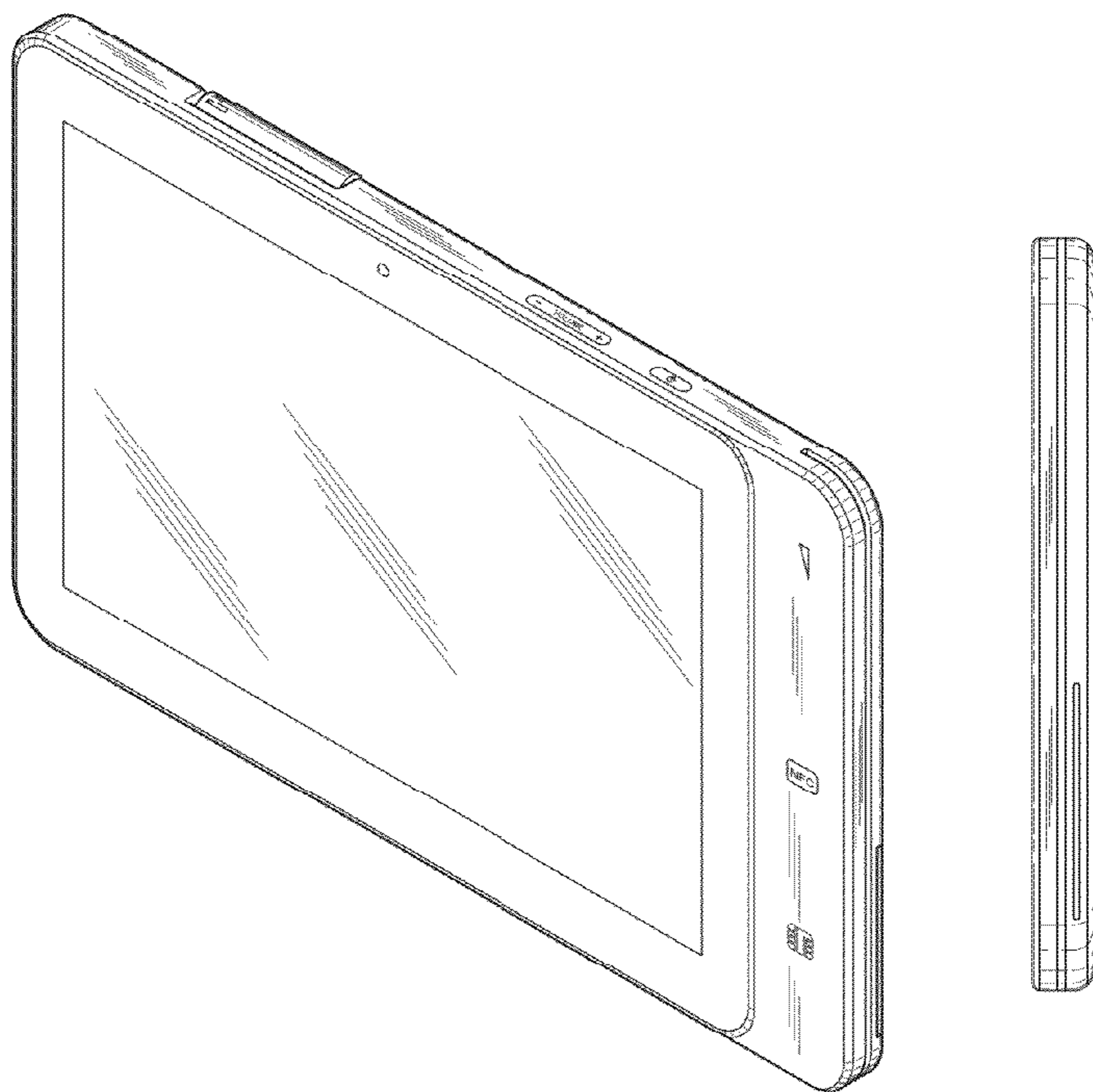
(57) **CLAIM**

The ornamental design for a personal digital assistant with a payment device, as shown and described.

**DESCRIPTION**

FIG. 1 is a perspective view of a personal digital assistant with a payment device showing my new design;  
FIG. 2 is a front elevational view thereof;  
FIG. 3 is a rear elevational view thereof;  
FIG. 4 is a right side view thereof;  
FIG. 5 is a left side view thereof;  
FIG. 6 is a top plan view thereof;  
FIG. 7 is a bottom plan view thereof;  
FIG. 8 is a perspective view thereof, shown in a position of use with a magnetic card;  
FIG. 9 is a perspective view thereof, shown in a position of use with an IC card; and,  
FIG. 10 is a perspective view thereof, shown in a position of use with a contactless IC card.  
The broken line showing is for the purpose of illustrating environment structure and forms no part of the claimed design.

**1 Claim, 10 Drawing Sheets**



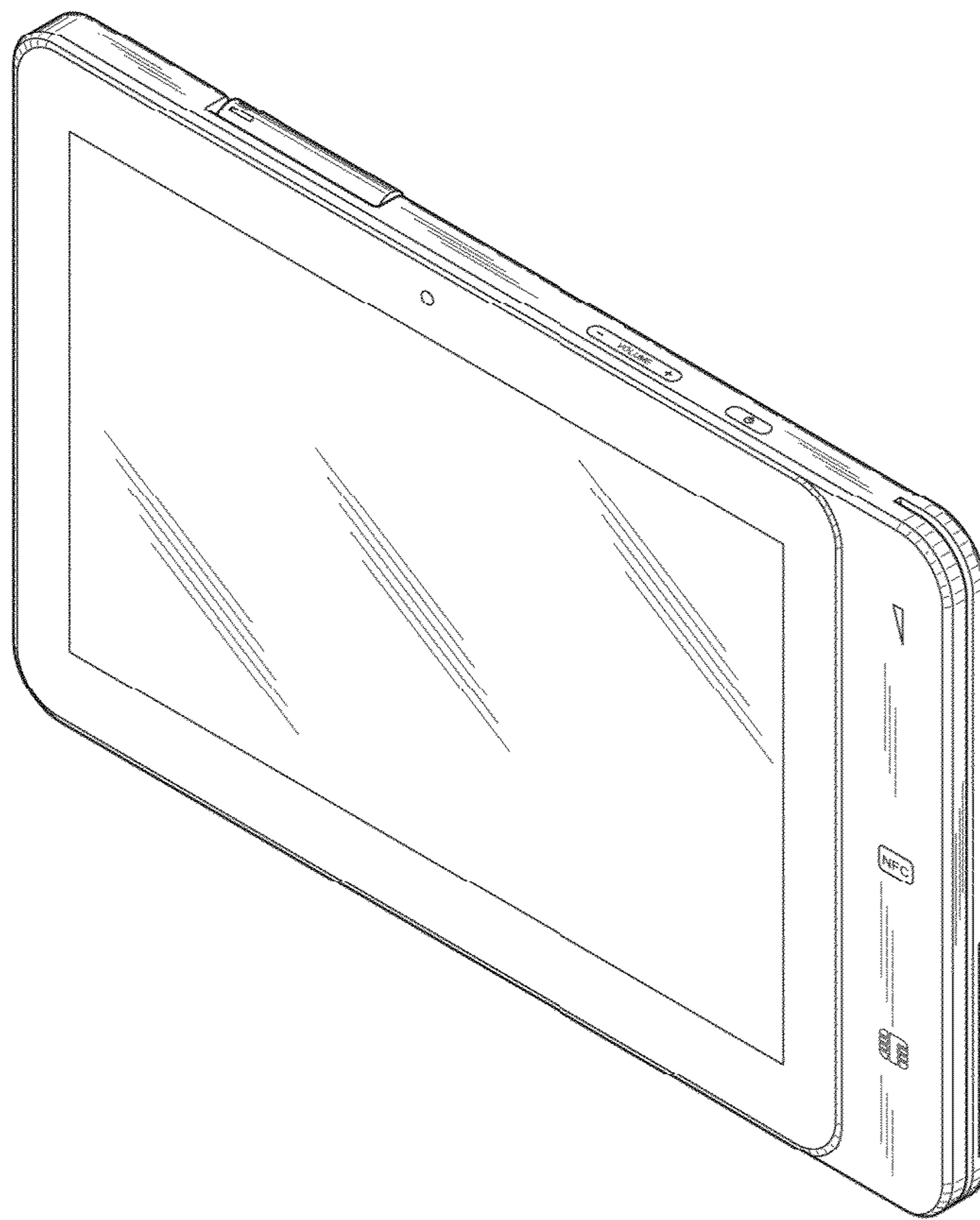


FIG. 1

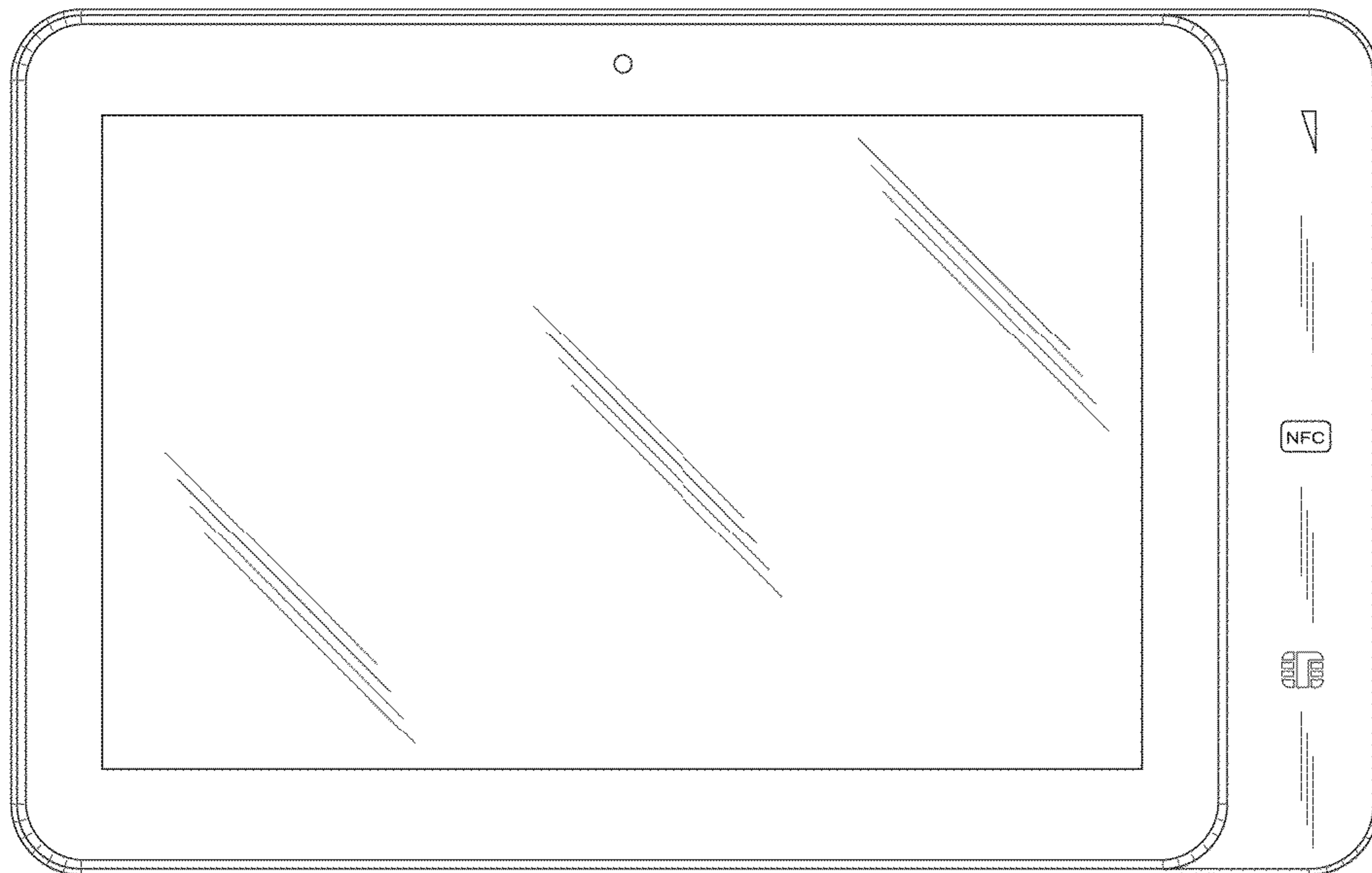


FIG.2

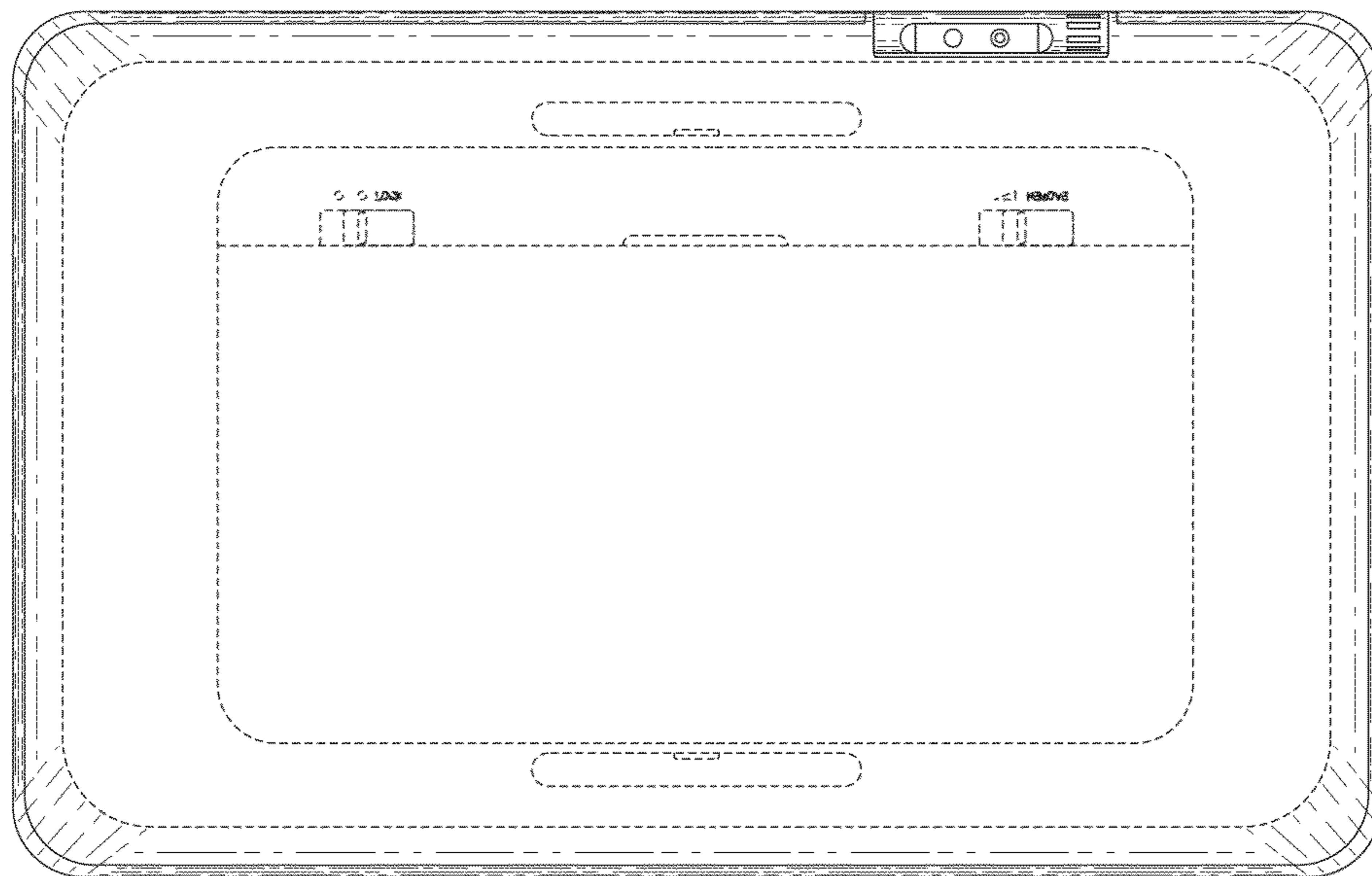


FIG.3



FIG.4



FIG.5



FIG.6

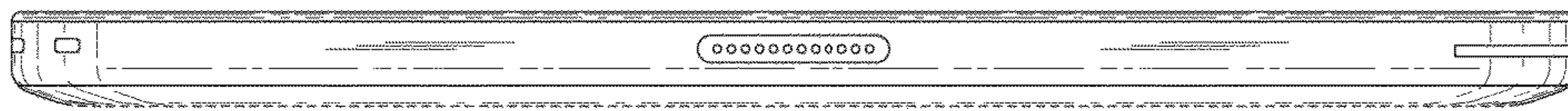


FIG.7



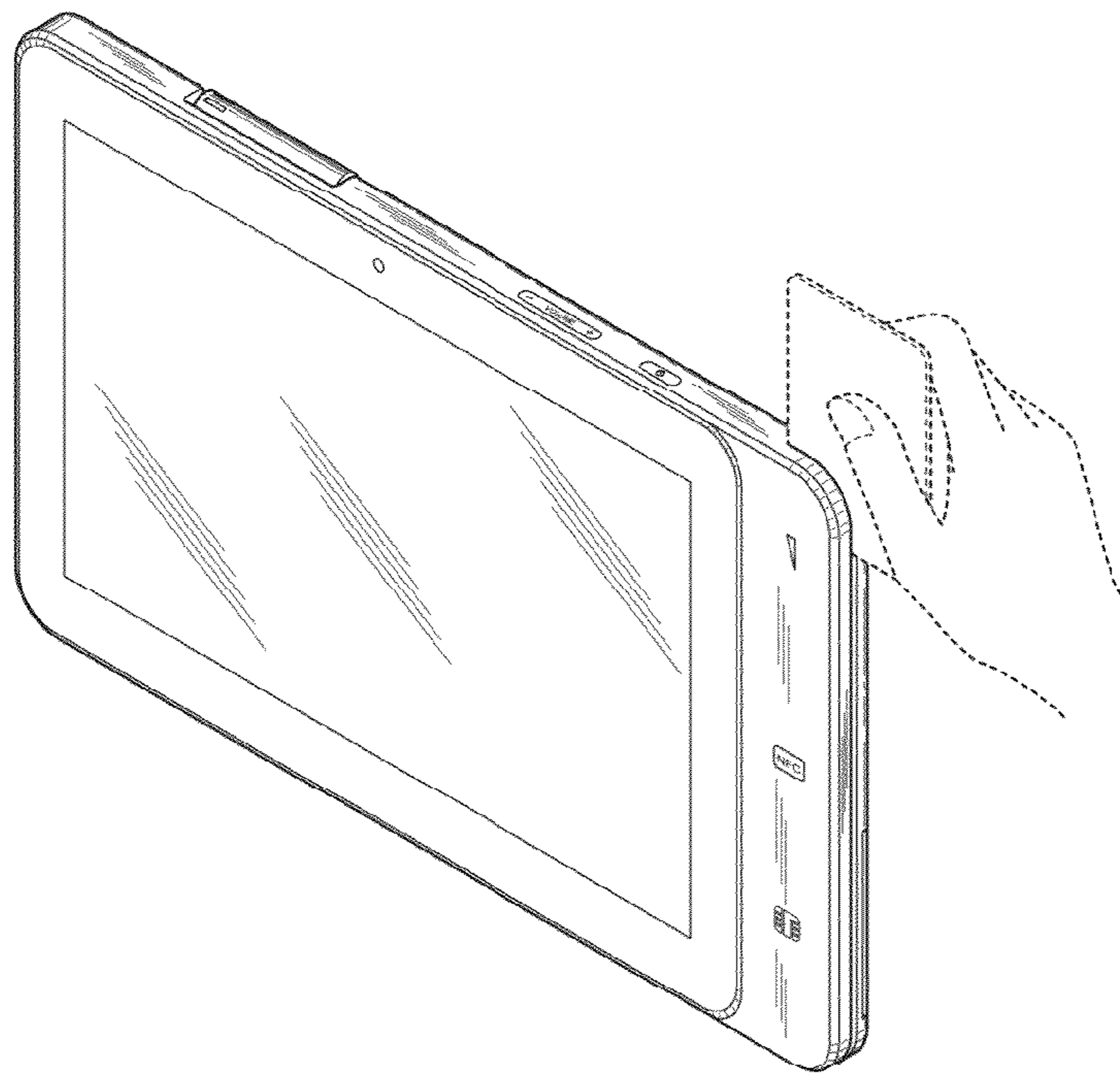


FIG.8

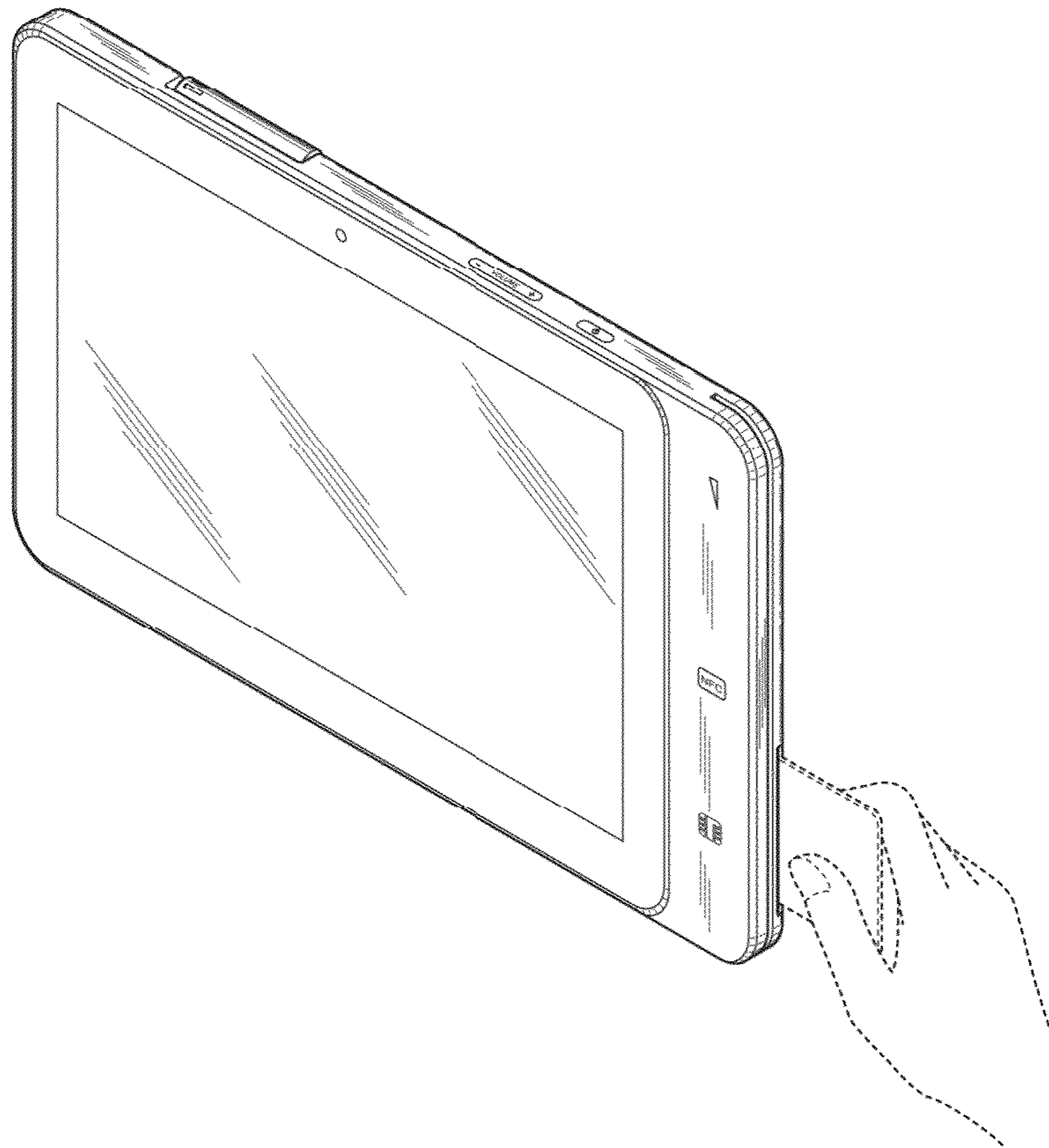


FIG.9

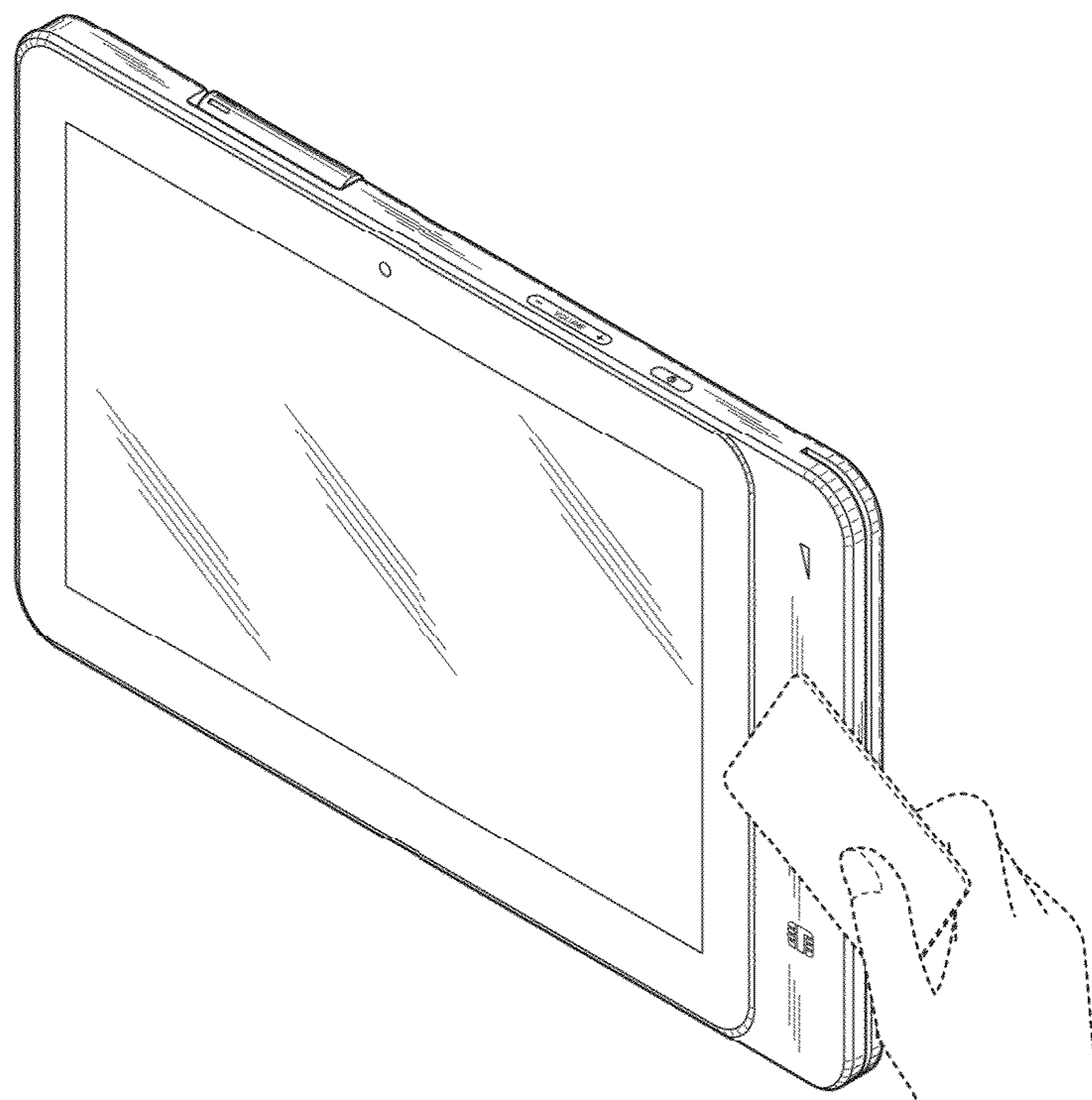


FIG.10