



US00D725108S

(12) **United States Design Patent**  
**Yeon**

(10) **Patent No.:** **US D725,108 S**  
(45) **Date of Patent:** **\*\* Mar. 24, 2015**

(54) **DISPLAY MONITOR**

(71) Applicant: **Samsung Electronics Co., Ltd.**,  
Suwon-si, Gyeonggi-do (KR)

(72) Inventor: **Won Tae Yeon**, Seoul (KR)

(73) Assignee: **Samsung Electronics Co., Ltd.** (KR)

(\*\*) Term: **14 Years**

(21) Appl. No.: **29/466,344**

(22) Filed: **Sep. 6, 2013**

(30) **Foreign Application Priority Data**

Mar. 6, 2013 (KR) ..... 30-2013-0011467

(51) **LOC (10) Cl.** ..... **14-02**

(52) **U.S. Cl.**  
USPC ..... **D14/376**

(58) **Field of Classification Search**  
USPC ..... D14/371-376, 125-129, 336, 337;  
341/12; 345/104, 156, 168, 173;  
348/180, 184, 325, 739; 349/1, 2, 11,  
349/62; 361/679.05-679.07,  
361/679.21-679.23; D6/300, 308  
See application file for complete search history.

(56) **References Cited**

**U.S. PATENT DOCUMENTS**

D313,431 S \* 1/1991 Jaskiel et al. .... D20/10  
D424,068 S \* 5/2000 Takemasa ..... D14/374  
D489,721 S \* 5/2004 Peng et al. .... D14/371  
D546,824 S \* 7/2007 Jackson, Jr. .... D14/341

D582,916 S \* 12/2008 Wada ..... D14/371  
7,599,181 B2 \* 10/2009 Chuang et al. .... 361/679.55  
7,619,881 B1 \* 11/2009 Granville et al. .... 361/679.21  
D669,075 S \* 10/2012 Seo ..... D14/371  
2010/0171889 A1 \* 7/2010 Pantel et al. .... 349/1

\* cited by examiner

*Primary Examiner* — Freda S Nunn

(74) *Attorney, Agent, or Firm* — Cantor Colburn LLP

(57) **CLAIM**

I claim, the ornamental design for a display monitor, as shown and described.

**DESCRIPTION**

FIG. 1 is the front perspective view of a display monitor showing my new design;  
FIG. 2 is a front elevation view thereof;  
FIG. 3 is a rear elevation view thereof;  
FIG. 4 is a side elevation view thereof;  
FIG. 5 is another side elevation view thereof;  
FIG. 6 is a top plan view thereof;  
FIG. 7 is a bottom plan view thereof;  
FIG. 8 is a front elevation view thereof, shown configured into another position;  
FIG. 9 is a front elevation view thereof, shown configured into another position;  
FIG. 10 is a side elevation view thereof, shown configured into another position;  
FIG. 11 is a top plan view thereof, shown configured into another position; and,  
FIG. 12 is a back perspective view thereof, shown configured into another position.

**1 Claim, 12 Drawing Sheets**

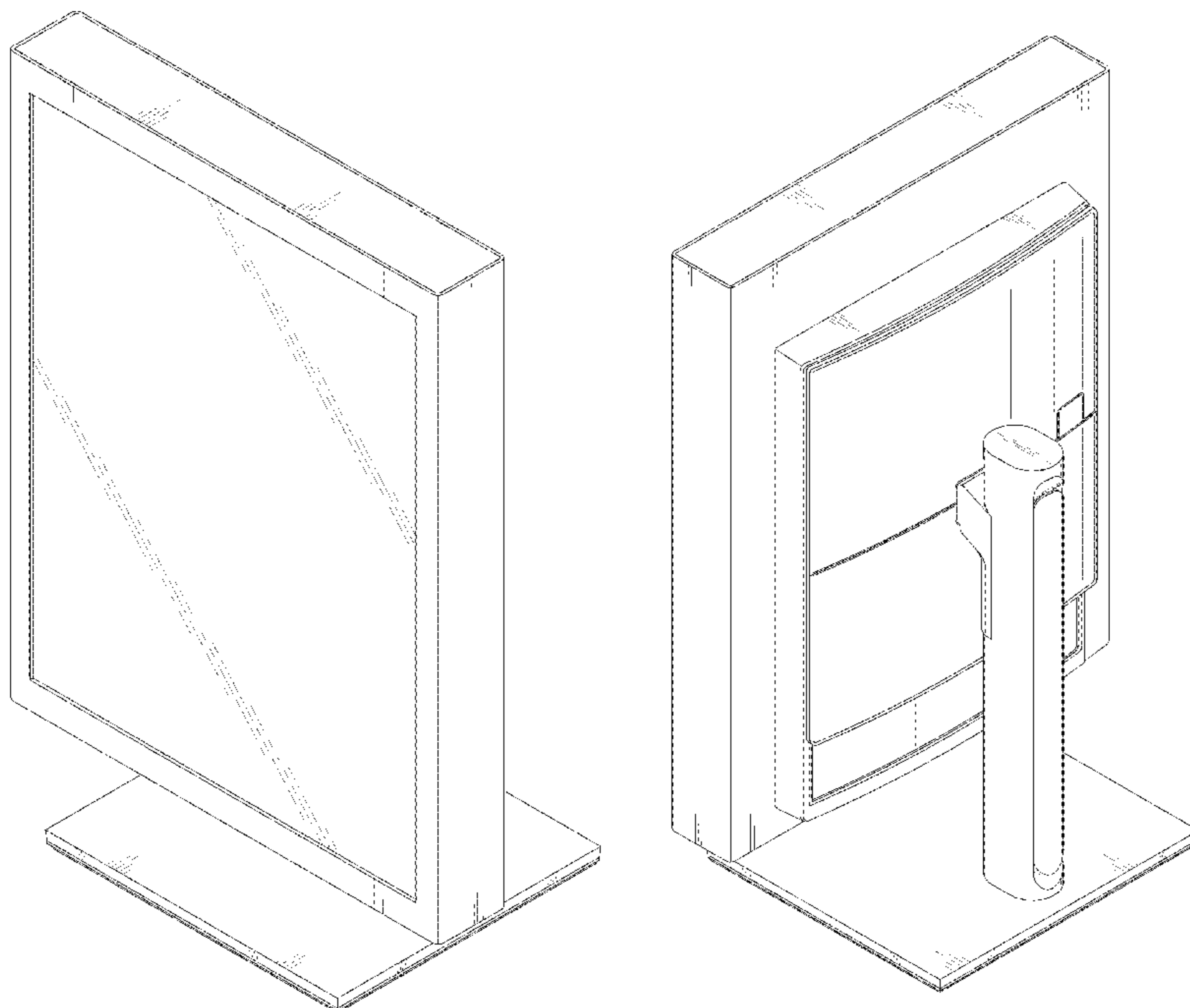
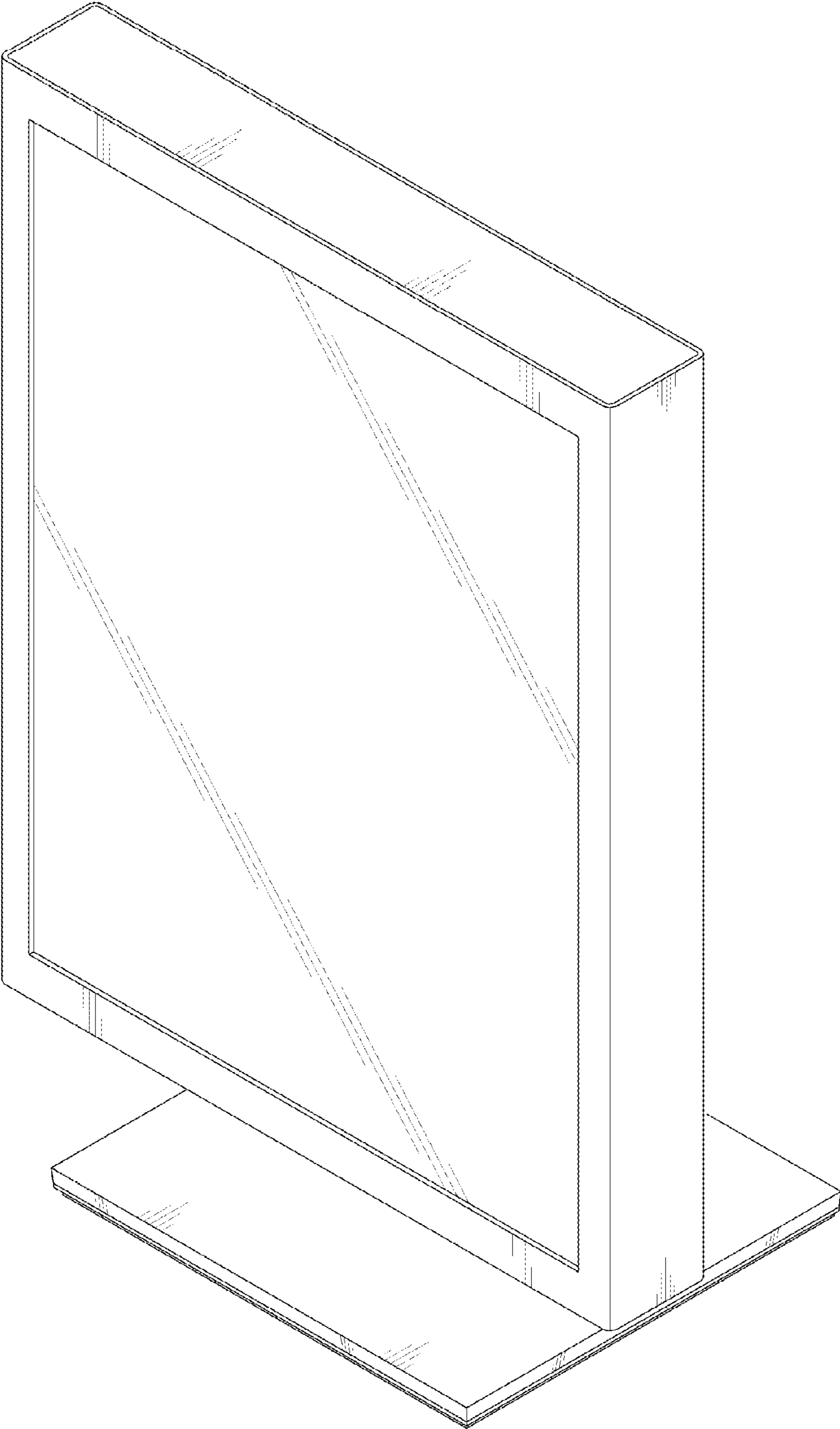
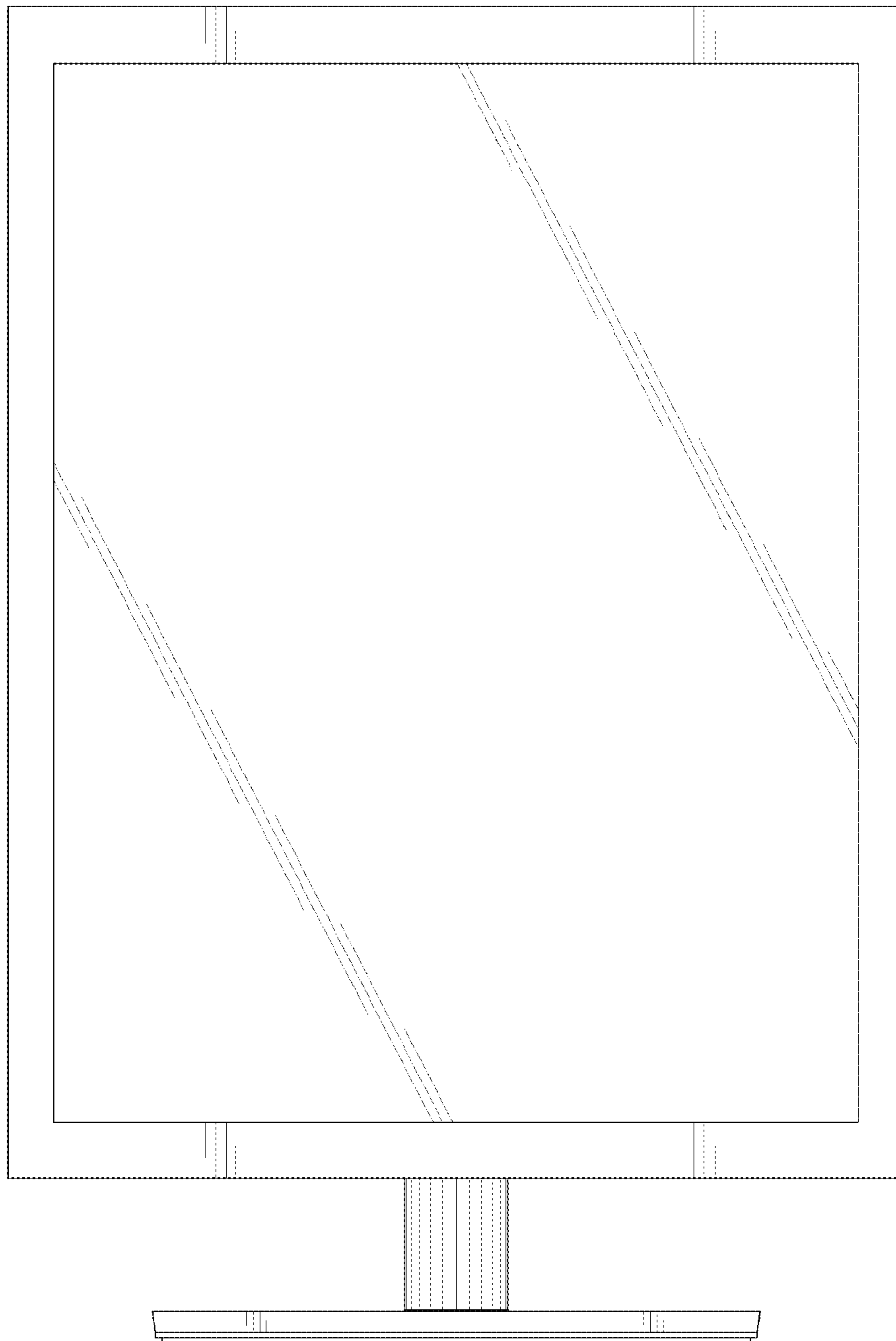


FIG. 1



**FIG. 2**



**FIG. 3**

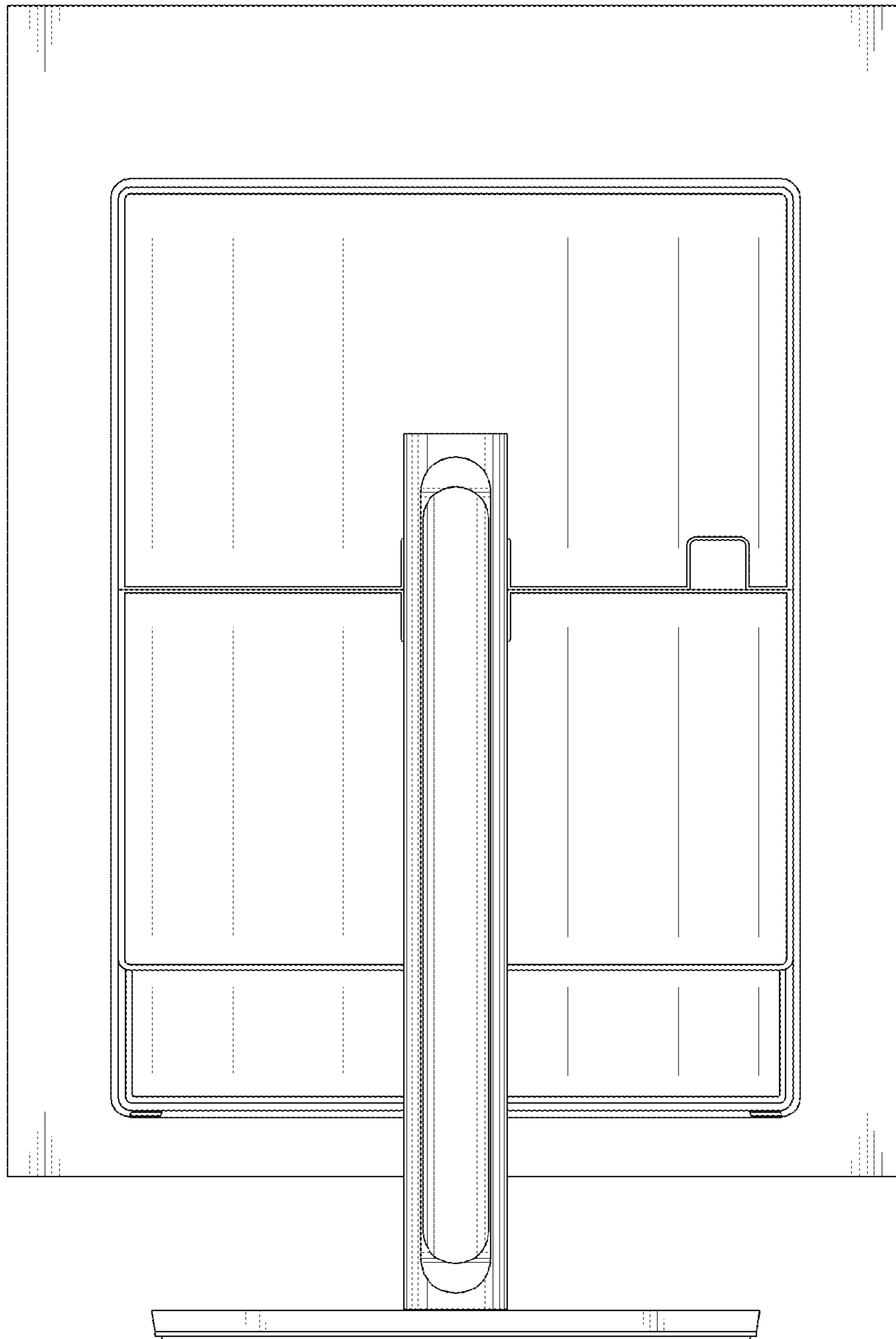


FIG. 4

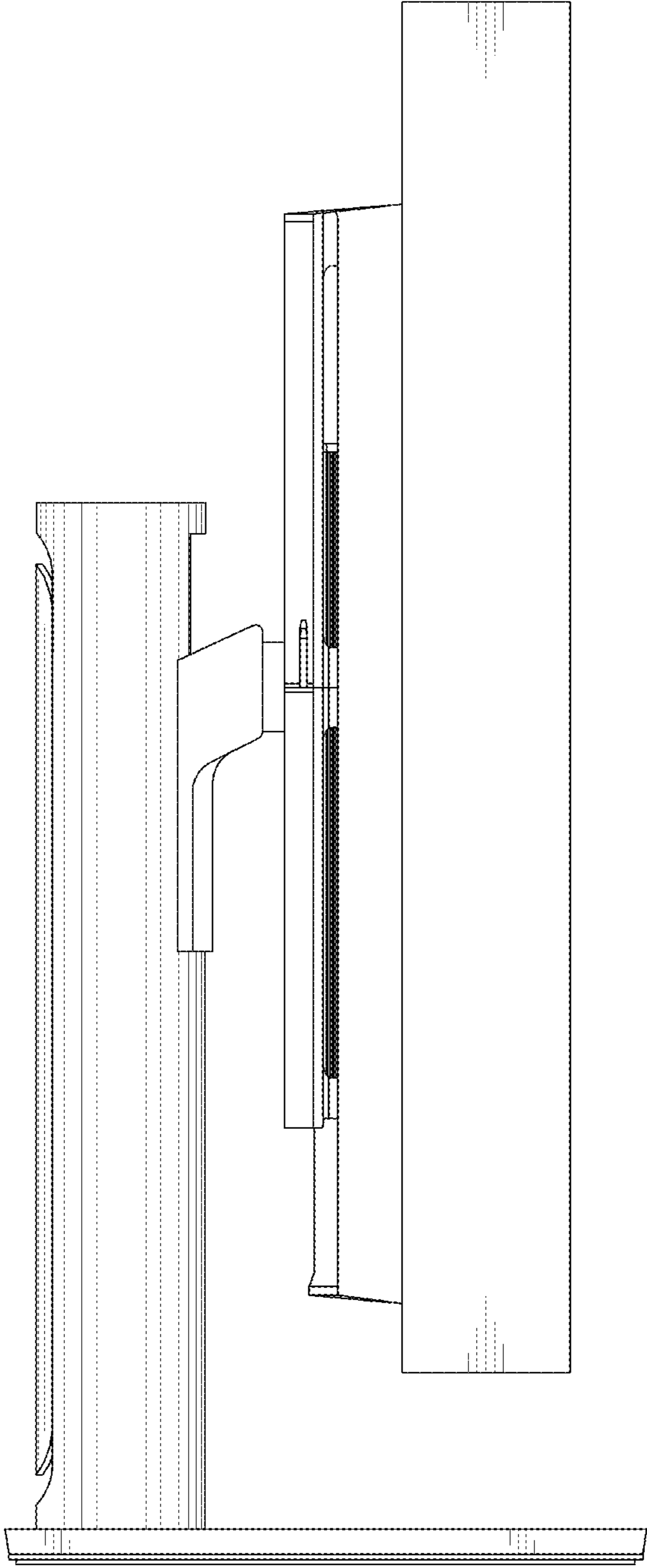
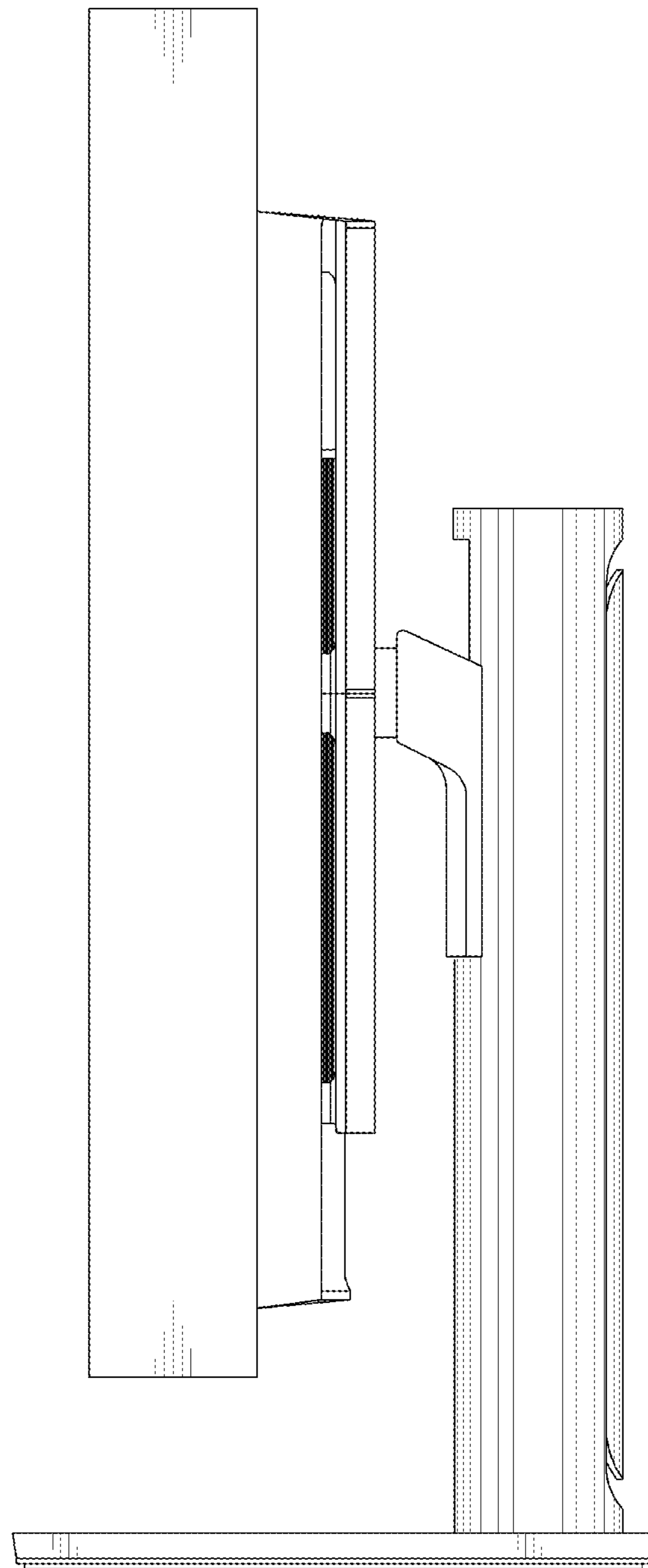
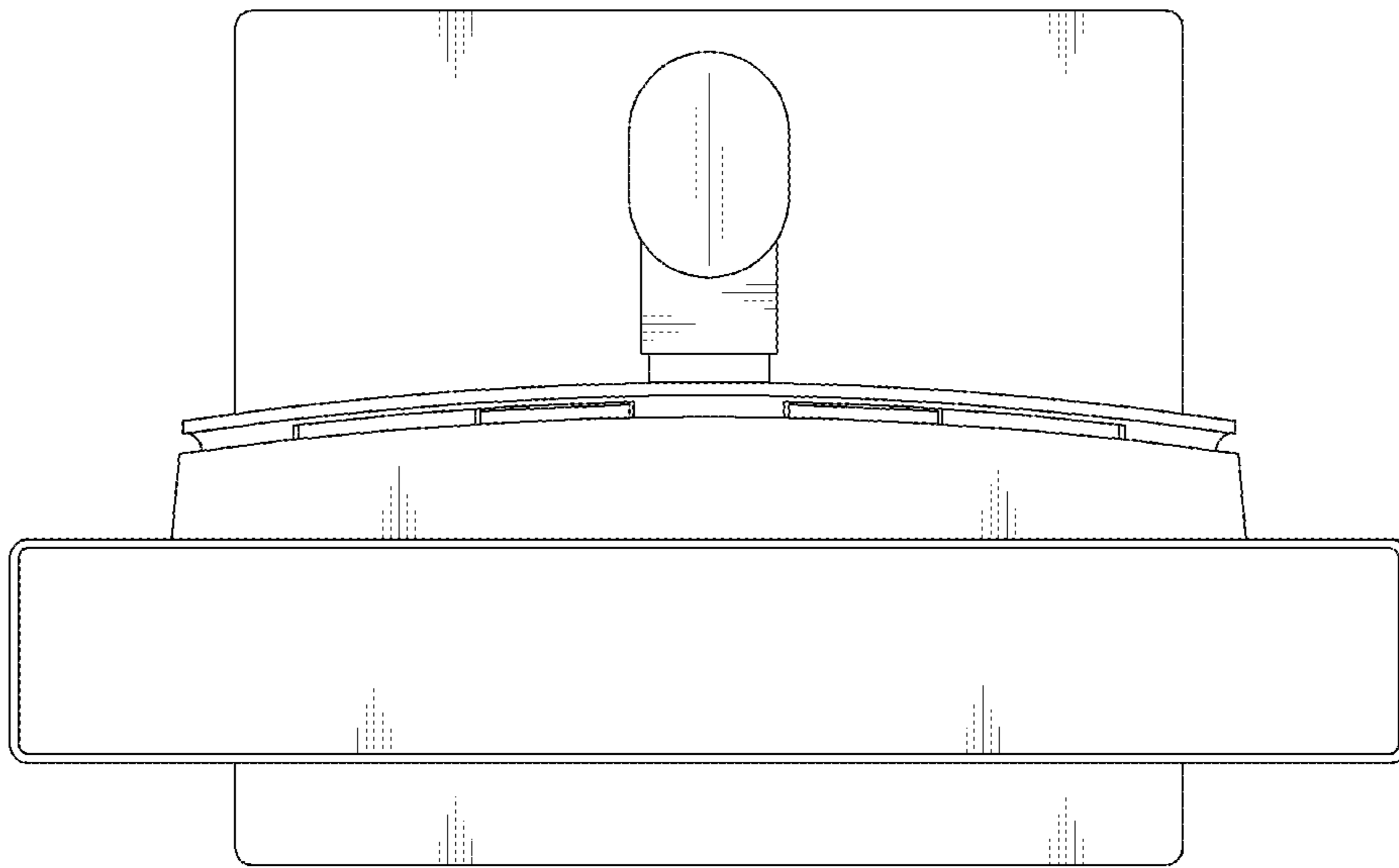


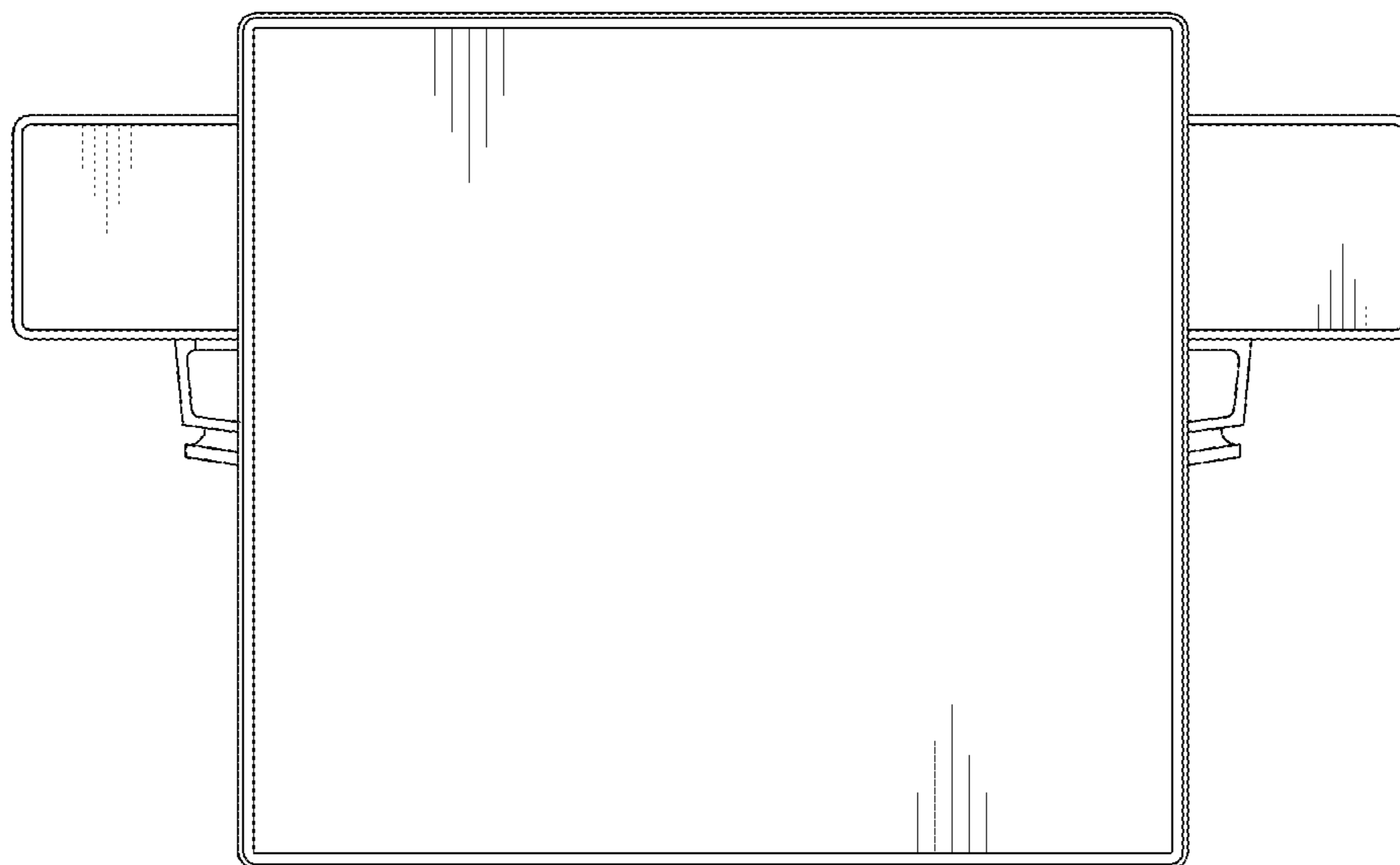
FIG. 5



**FIG. 6**



**FIG. 7**





**FIG. 8**

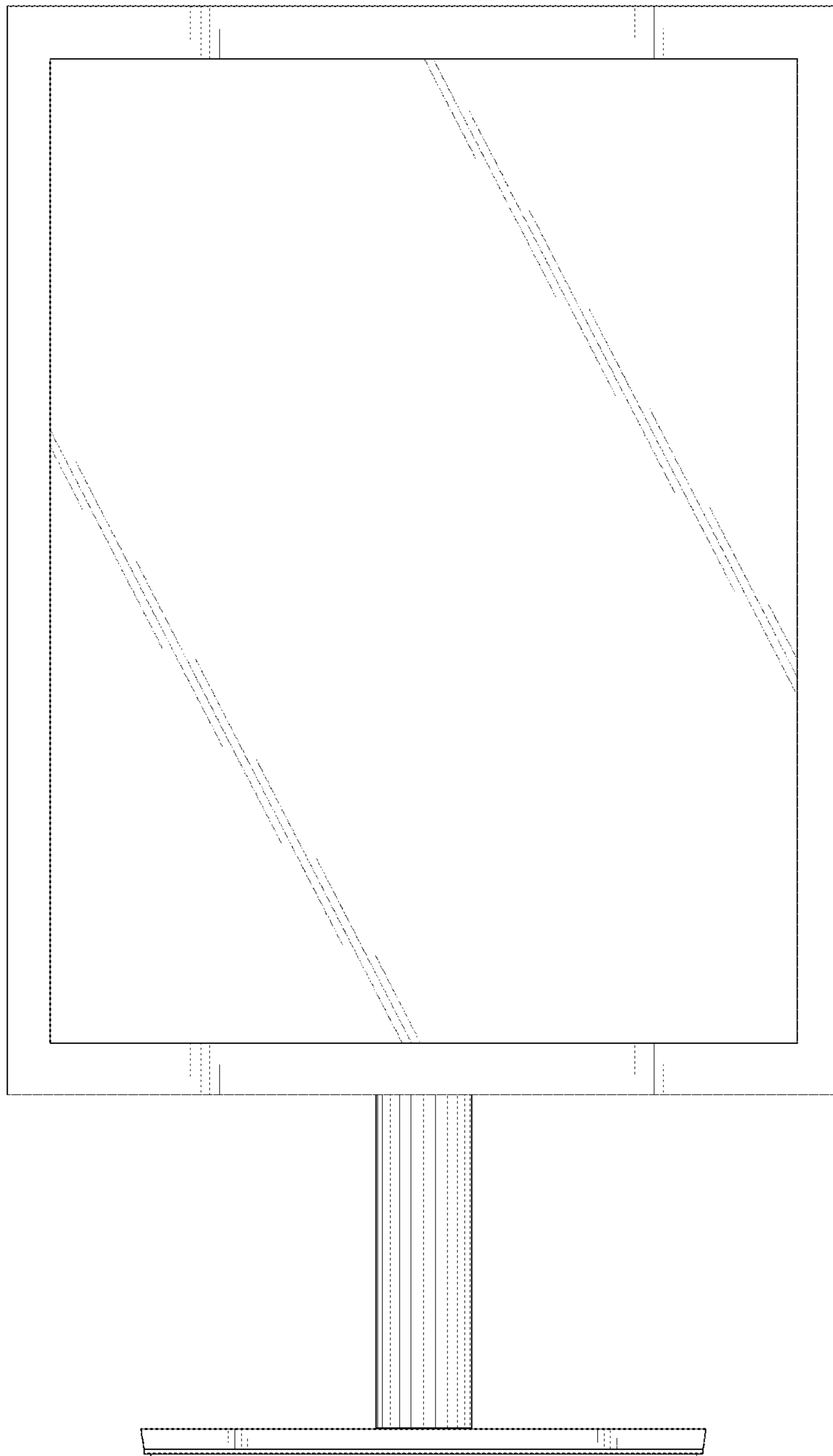
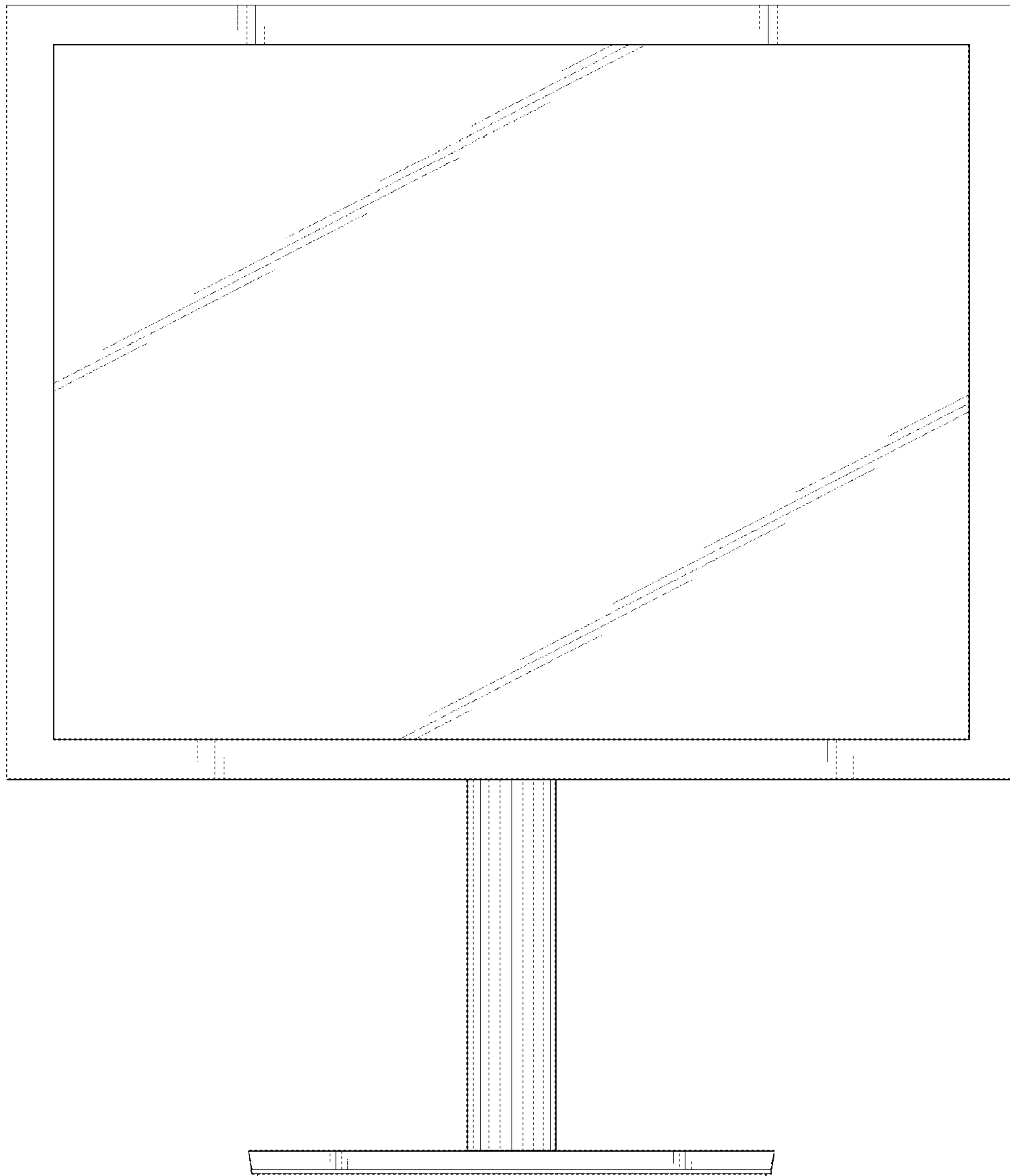
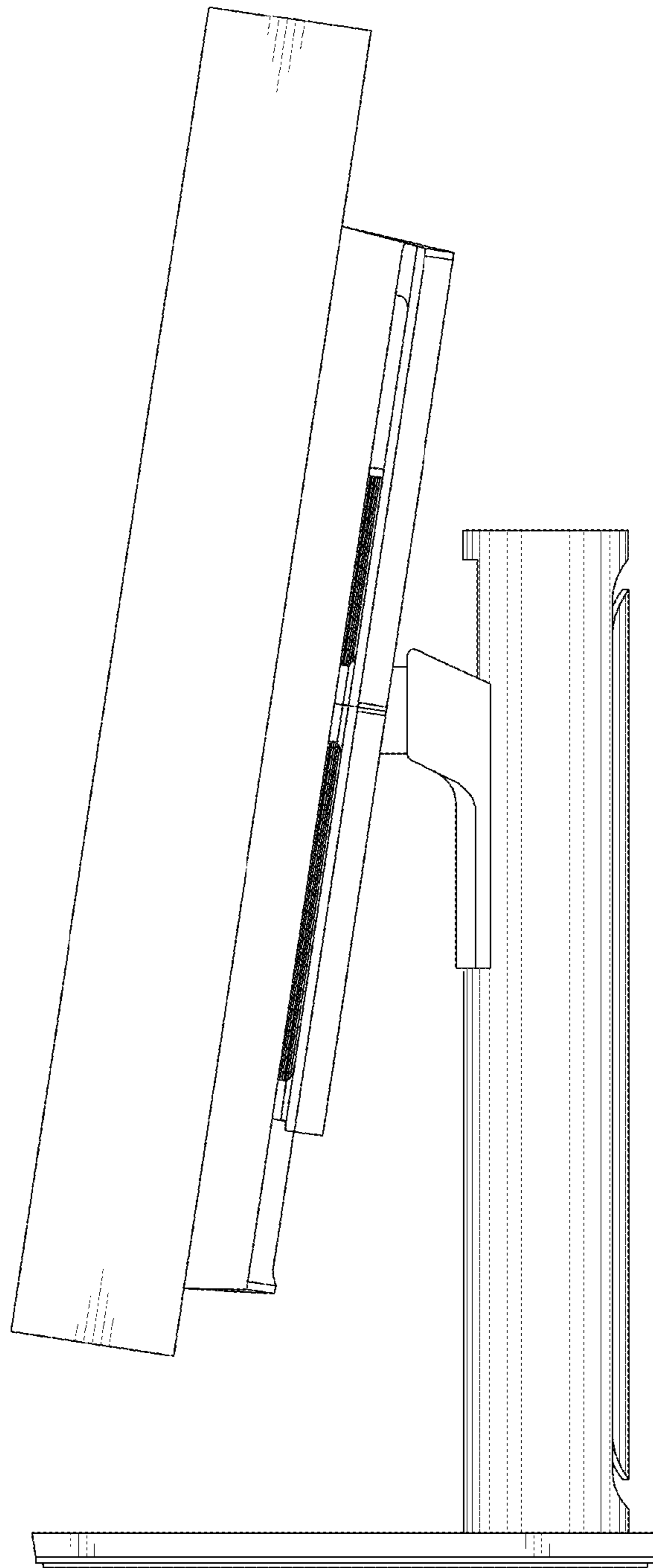


FIG. 9



**FIG. 10**



**FIG. 11**

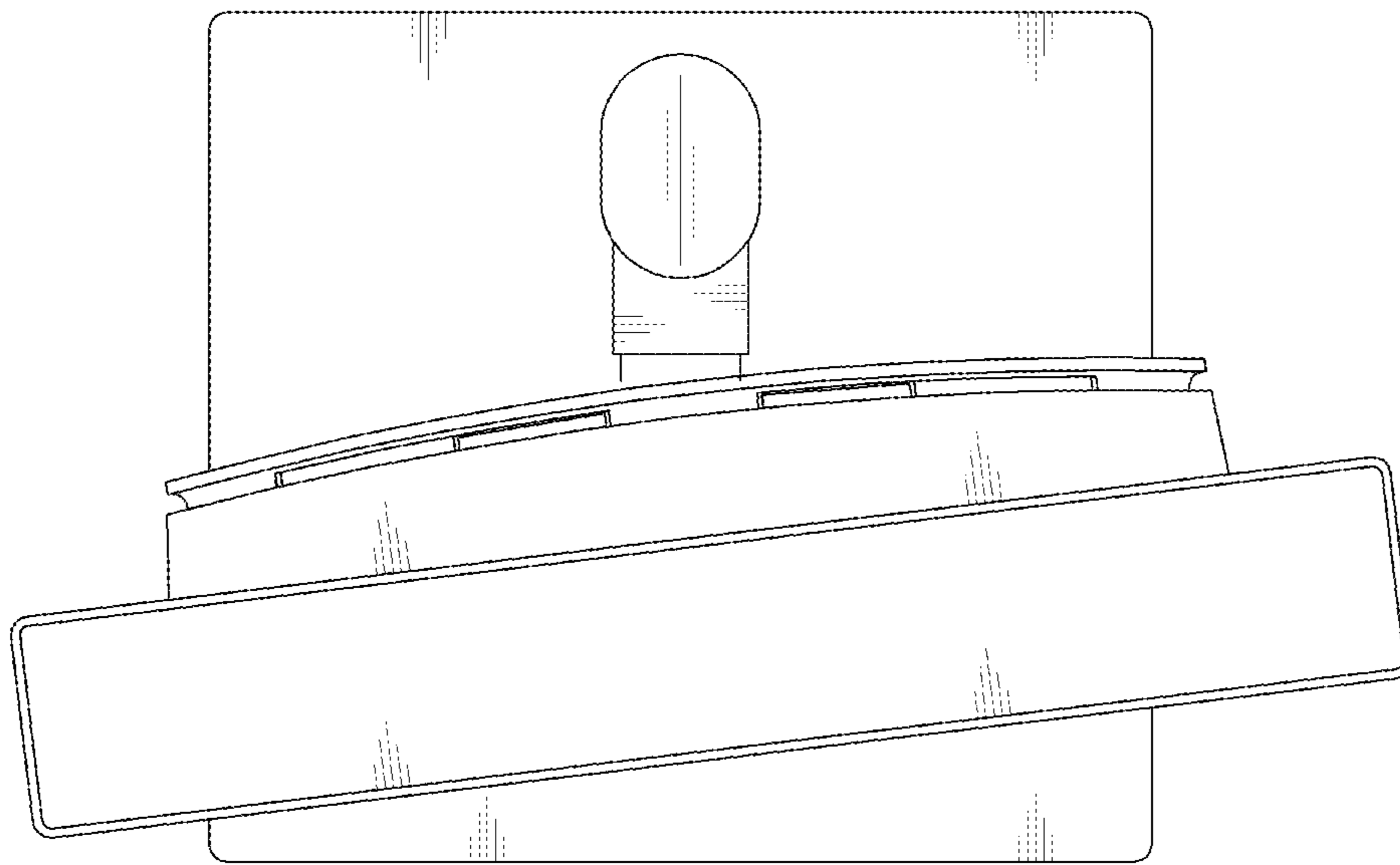


FIG. 12

