



US00D725107S

(12) **United States Design Patent**
Yeon

(10) **Patent No.:** **US D725,107 S**
(45) **Date of Patent:** **** Mar. 24, 2015**

(54) **DISPLAY MONITOR**

(71) Applicant: **Samsung Electronics Co., Ltd.**,
Suwon-si, Gyeonggi-do (KR)

(72) Inventor: **Won Tae Yeon**, Seoul (KR)

(73) Assignee: **Samsung Electronics Co., Ltd.** (KR)

(**) Term: **14 Years**

(21) Appl. No.: **29/466,342**

(22) Filed: **Sep. 6, 2013**

(30) **Foreign Application Priority Data**

Mar. 6, 2013 (KR) 30-2013-0011466

(51) **LOC (10) Cl.** **14-02**

(52) **U.S. Cl.**
USPC **D14/376**

(58) **Field of Classification Search**
USPC D14/371-376, 125-129, 336, 337;
341/12; 345/104, 156, 168, 173;
348/180, 184, 325, 739; 349/1, 2, 11,
349/62; 361/679.05-679.07,
361/679.21-679.23; D6/300, 308
See application file for complete search history.

(56) **References Cited**

U.S. PATENT DOCUMENTS

D313,431 S * 1/1991 Jaskiel et al. D20/10
D424,068 S * 5/2000 Takemasa D14/374
D489,721 S * 5/2004 Peng et al. D14/371
D546,824 S * 7/2007 Jackson, Jr. D14/341

D582,916 S * 12/2008 Wada D14/371
7,599,181 B2 * 10/2009 Chuang et al. 361/679.55
7,619,881 B1 * 11/2009 Granville et al. 361/679.21
D669,075 S * 10/2012 Seo D14/371
2010/0171889 A1 * 7/2010 Pantel et al. 349/1

* cited by examiner

Primary Examiner — Freda S Nunn

(74) *Attorney, Agent, or Firm* — Cantor Colburn LLP

(57) **CLAIM**

I claim, the ornamental design for a display monitor, as shown and described.

DESCRIPTION

FIG. 1 is the front perspective view of a display monitor showing my new design;
FIG. 2 is a front elevation view thereof;
FIG. 3 is a rear elevation view thereof;
FIG. 4 is a side elevation view thereof;
FIG. 5 is another side elevation view thereof;
FIG. 6 is a top plan view thereof;
FIG. 7 is a bottom plan view thereof;
FIG. 8 is a front elevation view thereof, shown configured into another position;
FIG. 9 is a front elevation view thereof, shown configured into another position;
FIG. 10 is a side elevation view thereof, shown configured into another position;
FIG. 11 is a top plan view thereof, shown configured into another position; and,
FIG. 12 is a back perspective view thereof, shown configured into another position.

1 Claim, 12 Drawing Sheets

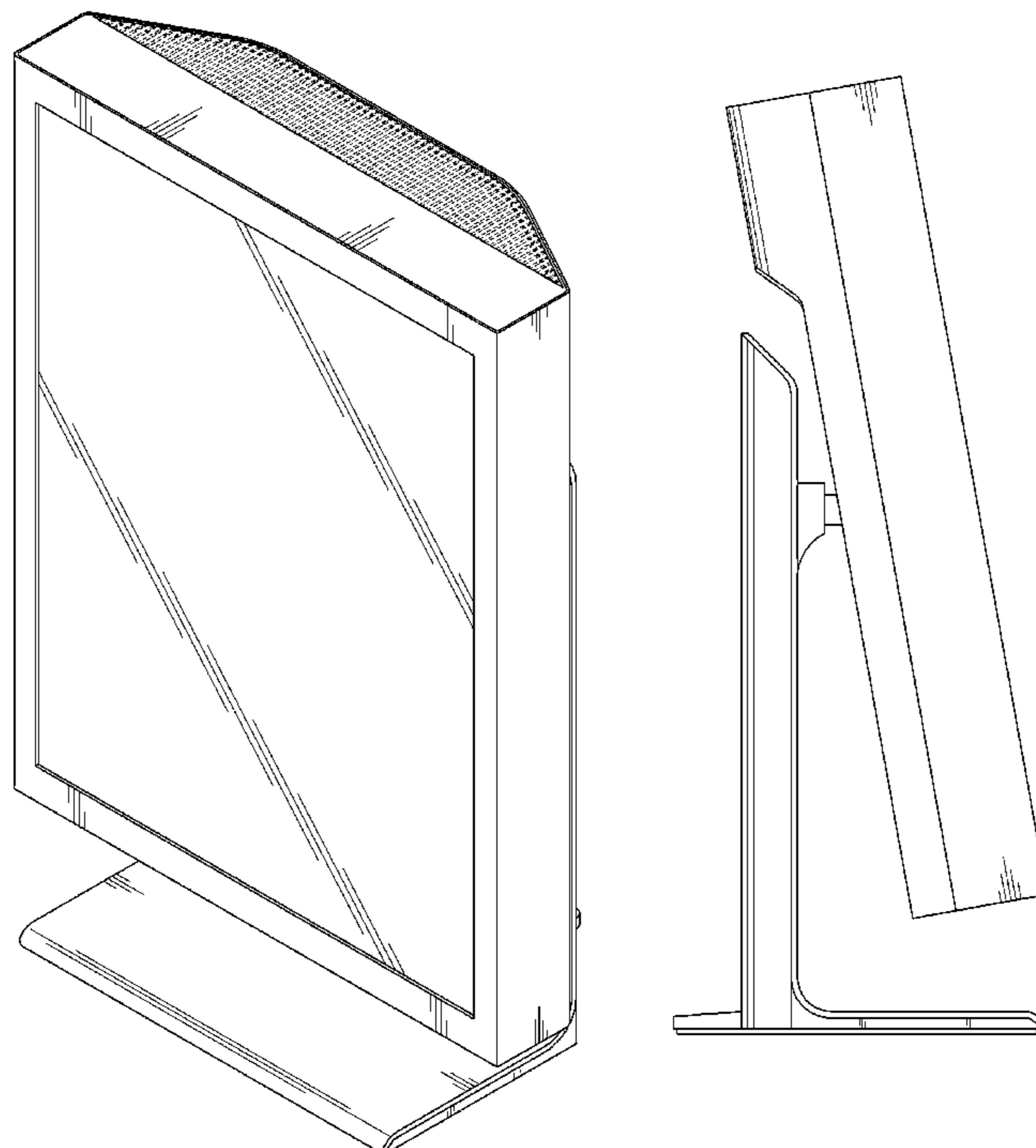


FIG. 1

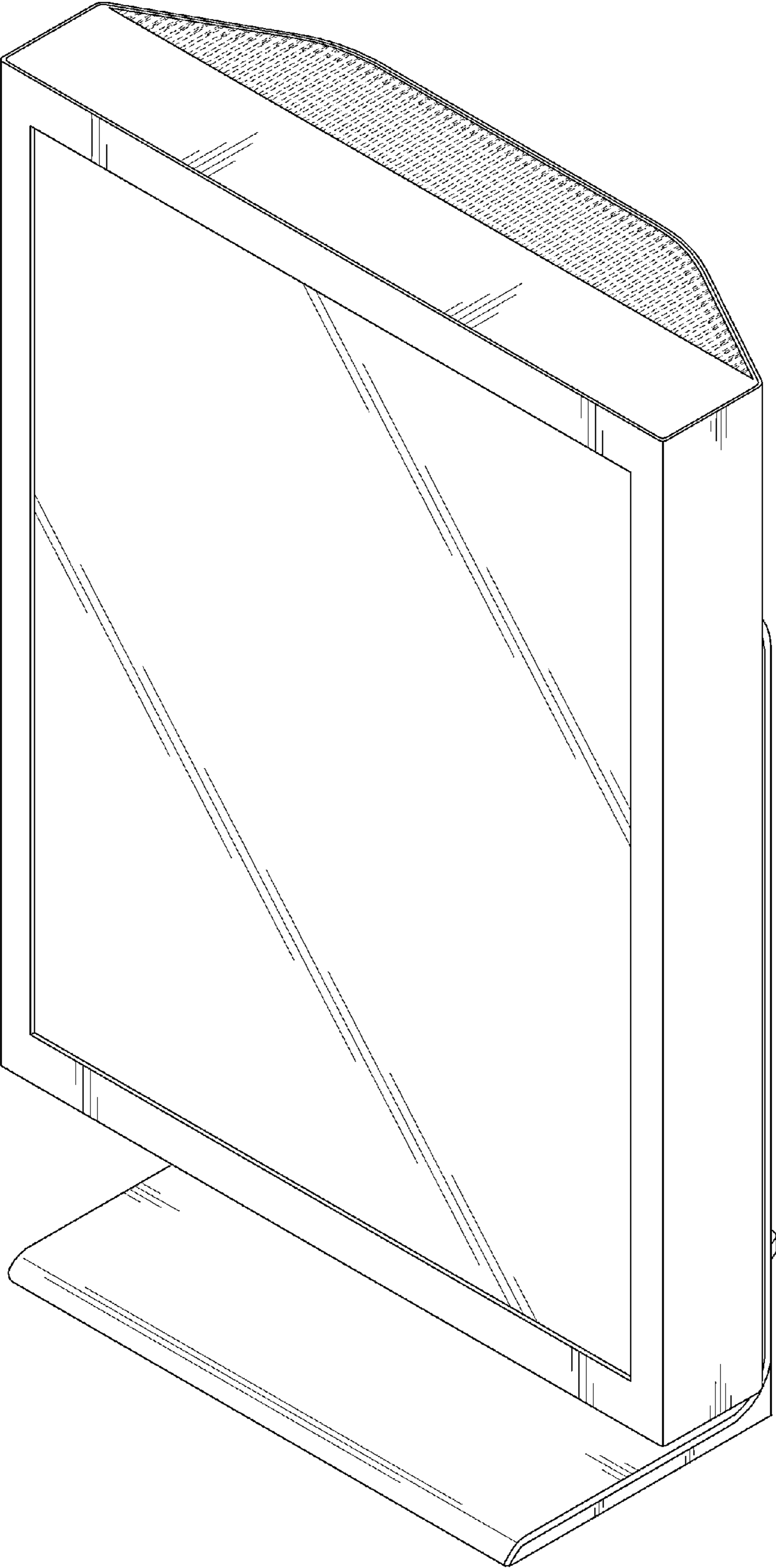


FIG. 2

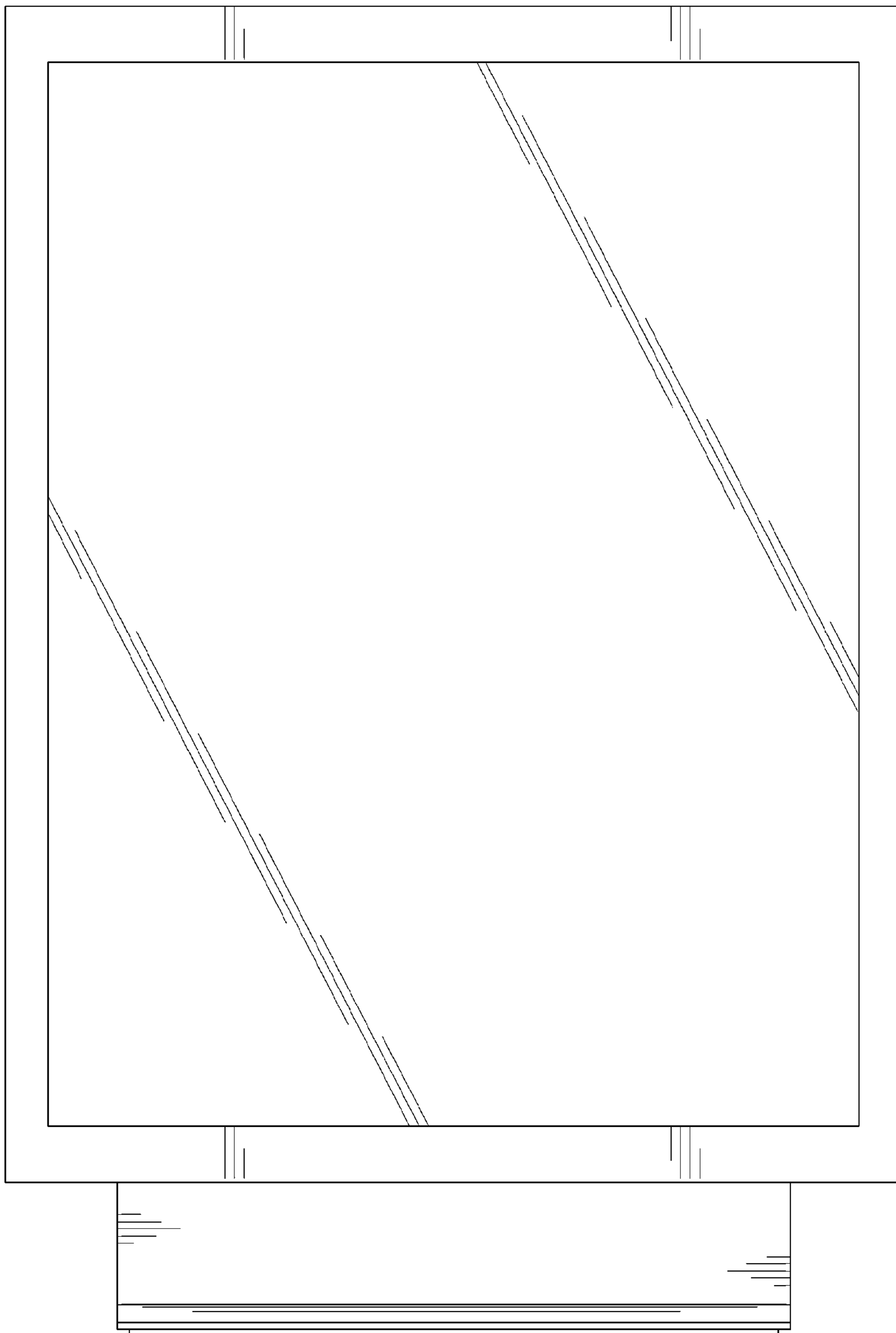


FIG. 3

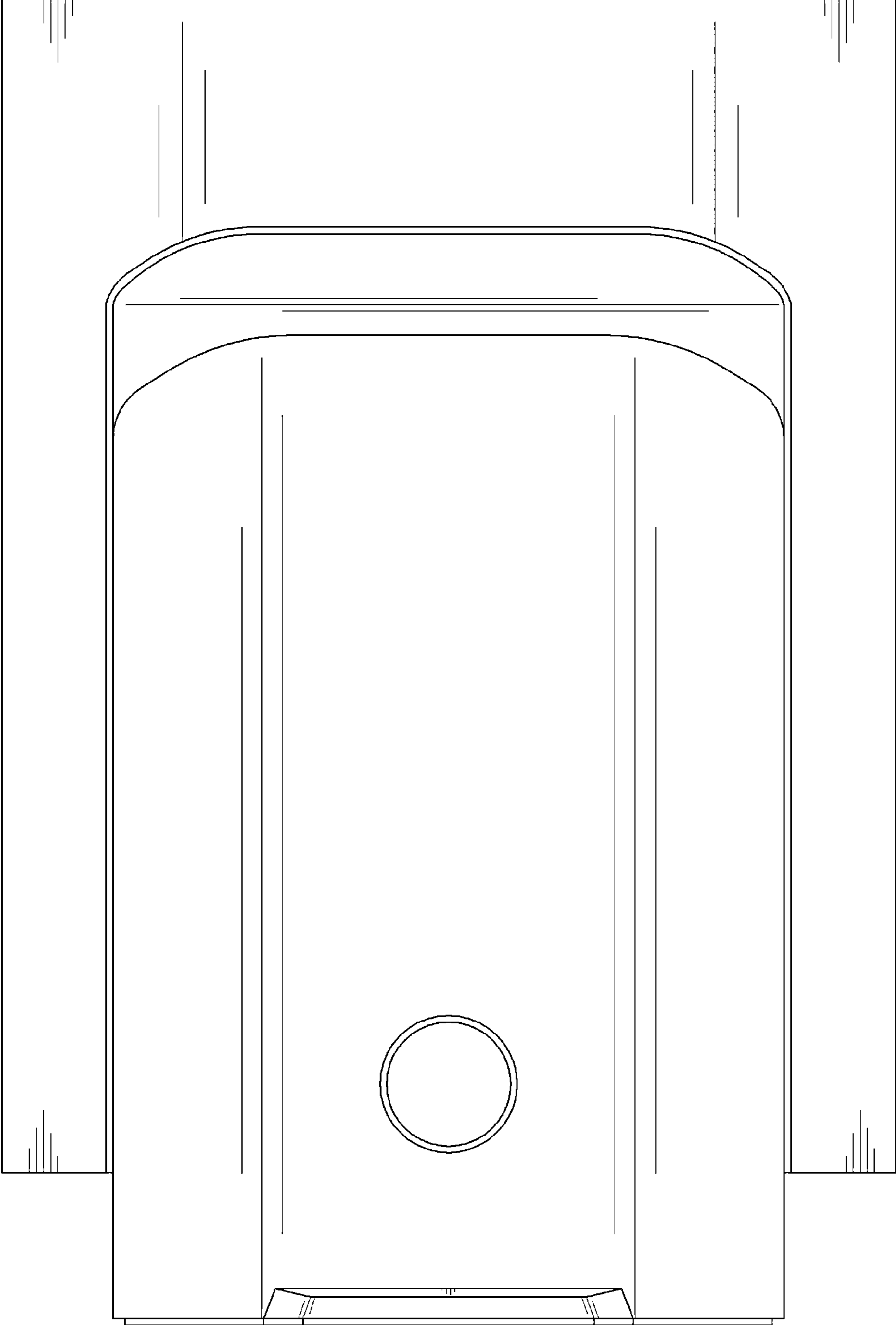


FIG. 4

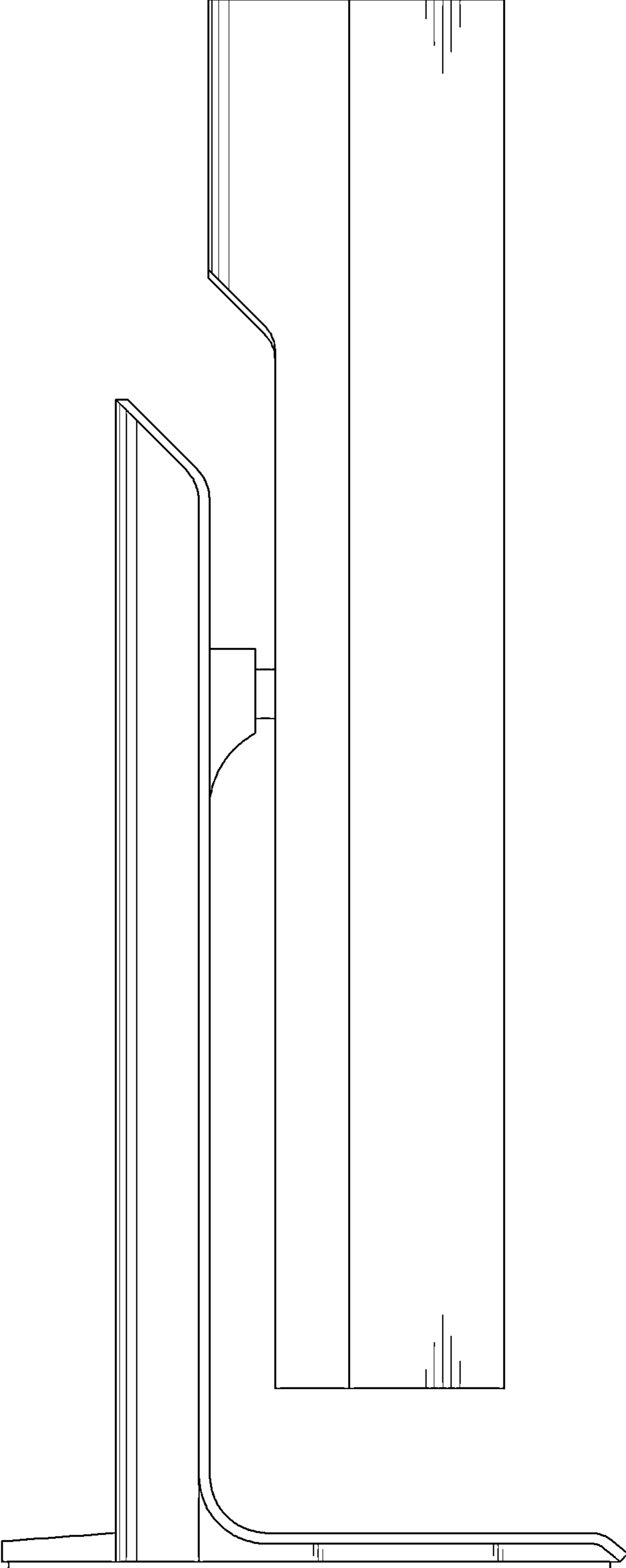


FIG. 5

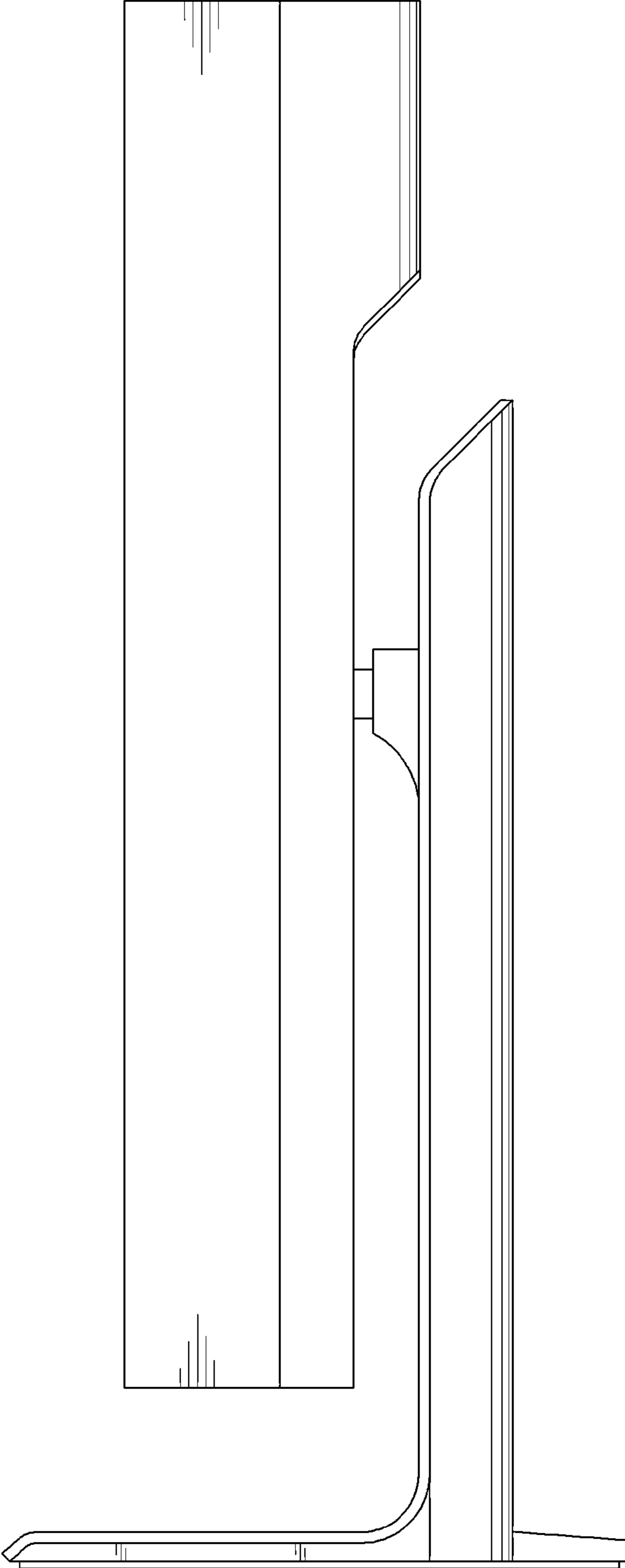


FIG. 6

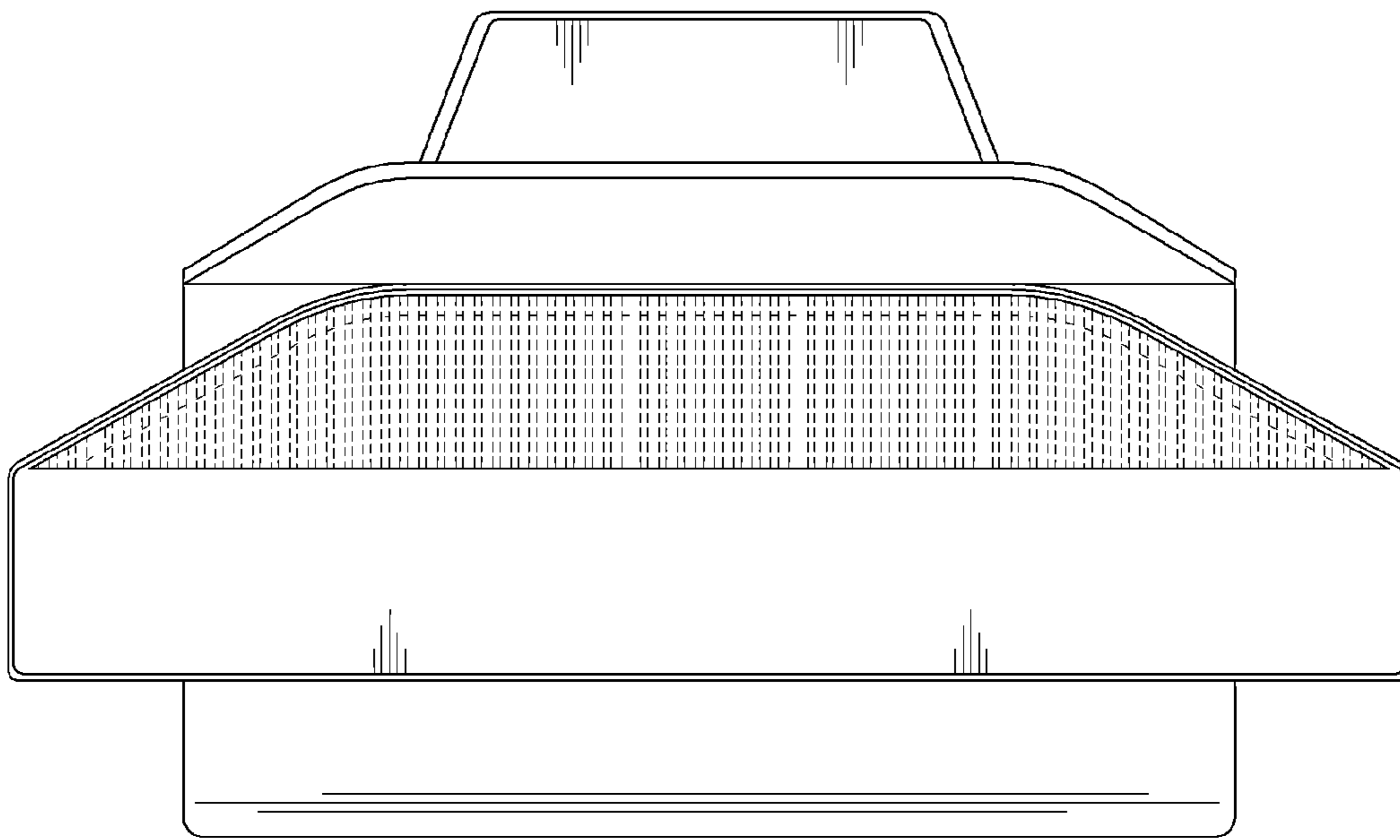


FIG. 7

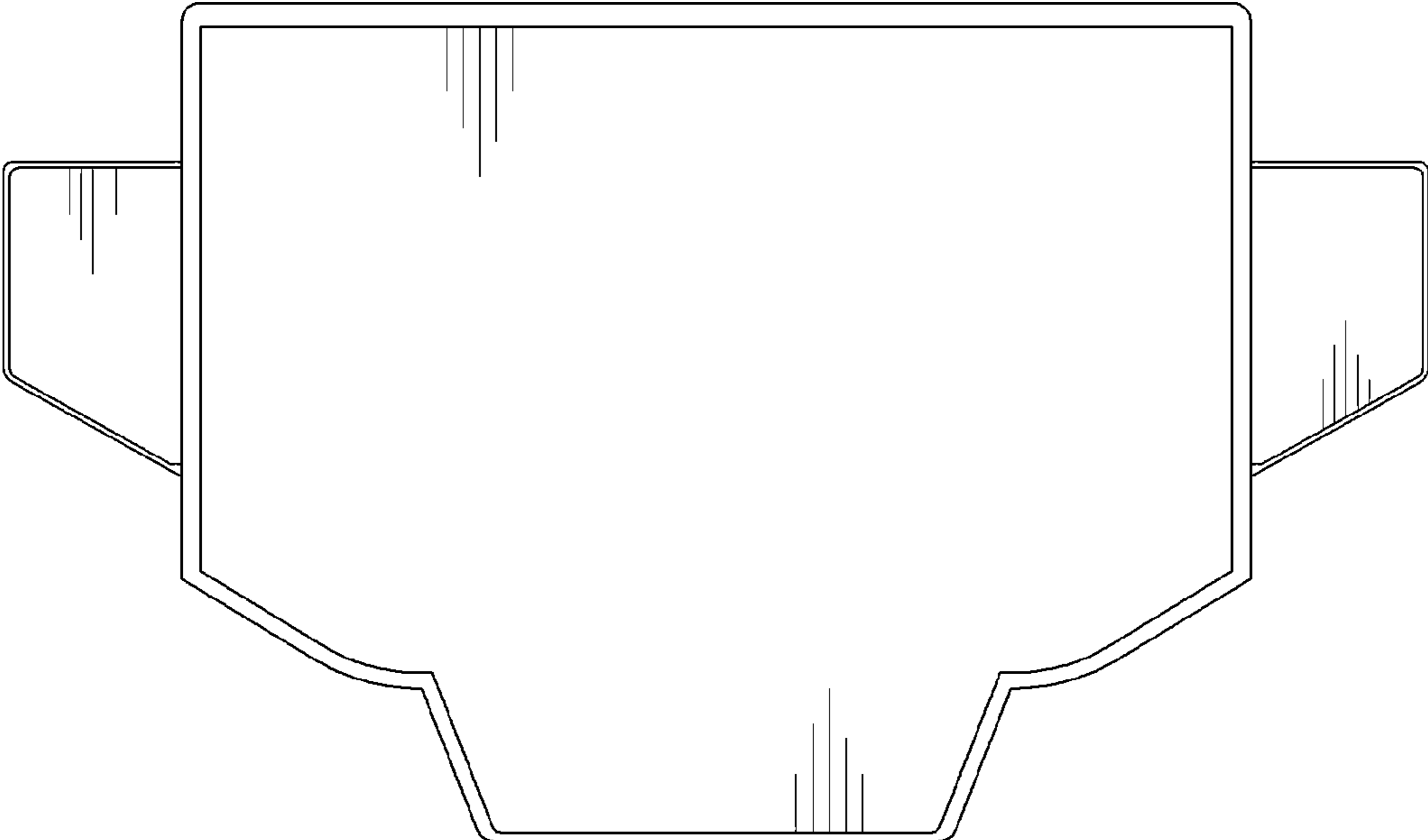


FIG. 8

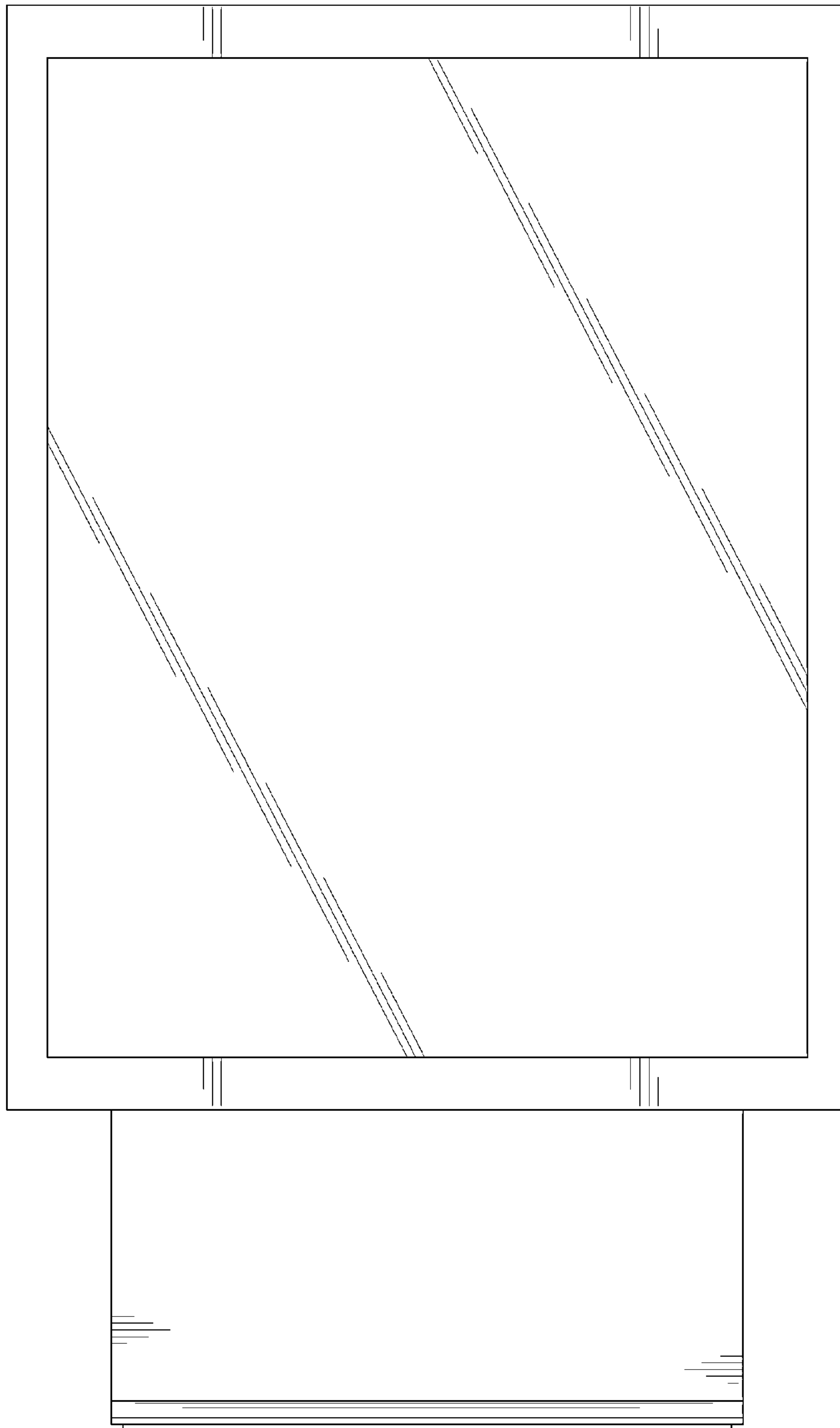


FIG. 9

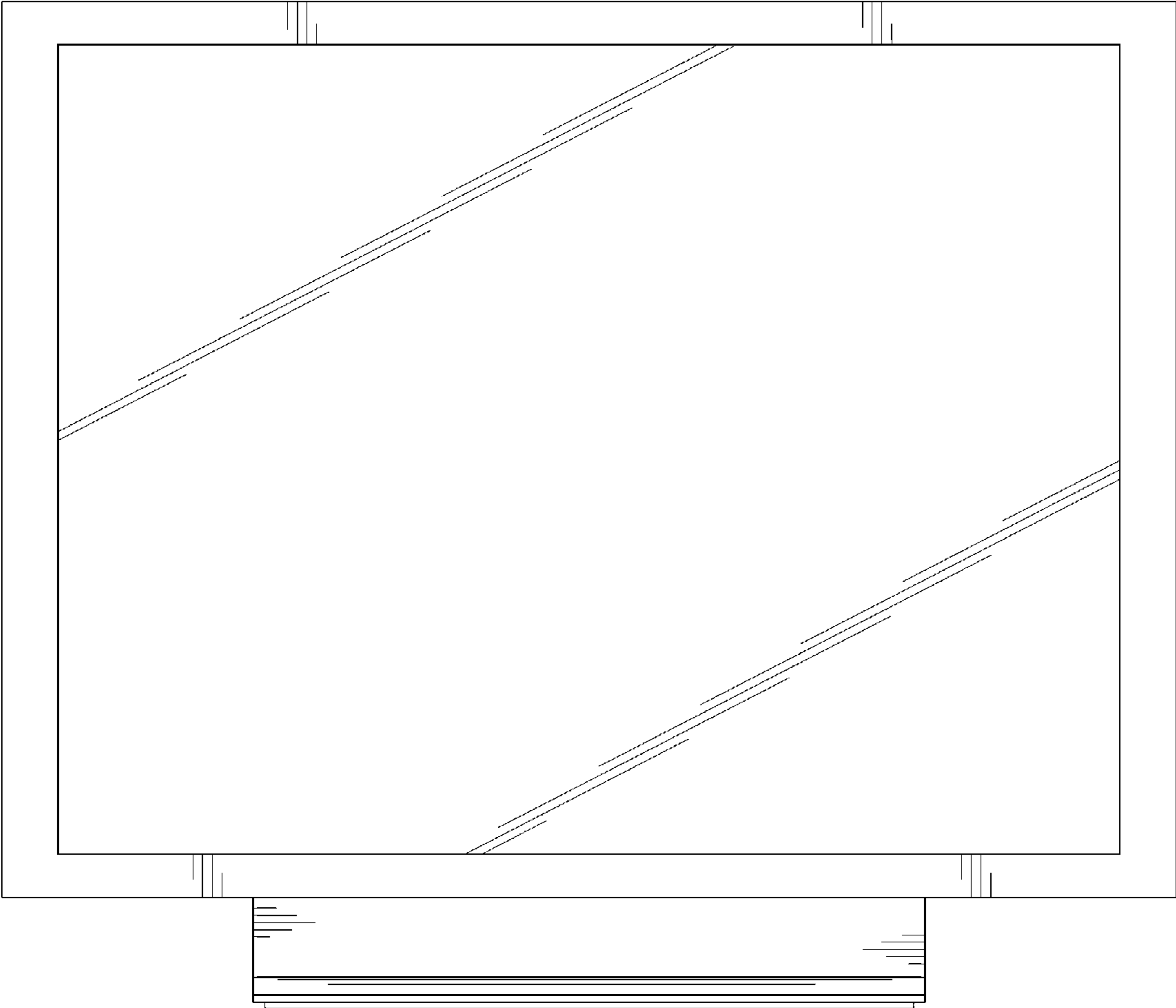


FIG. 10

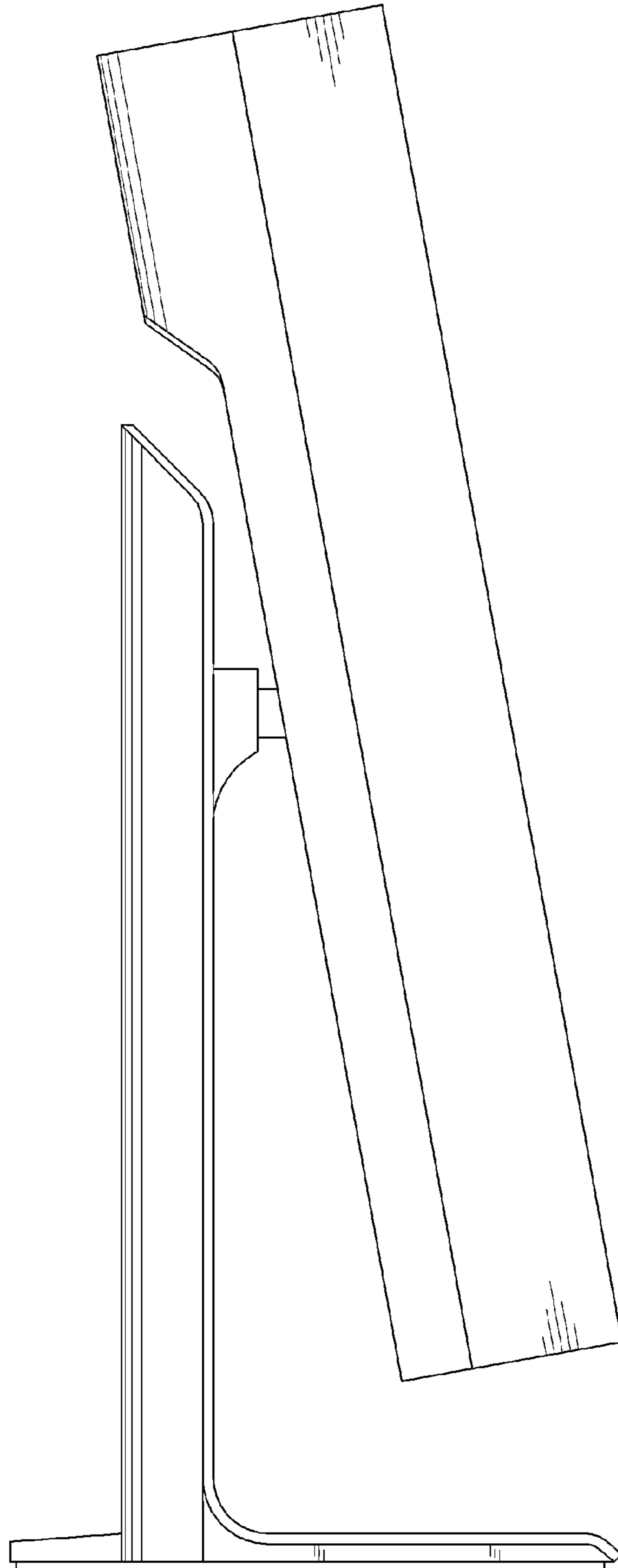


FIG. 11

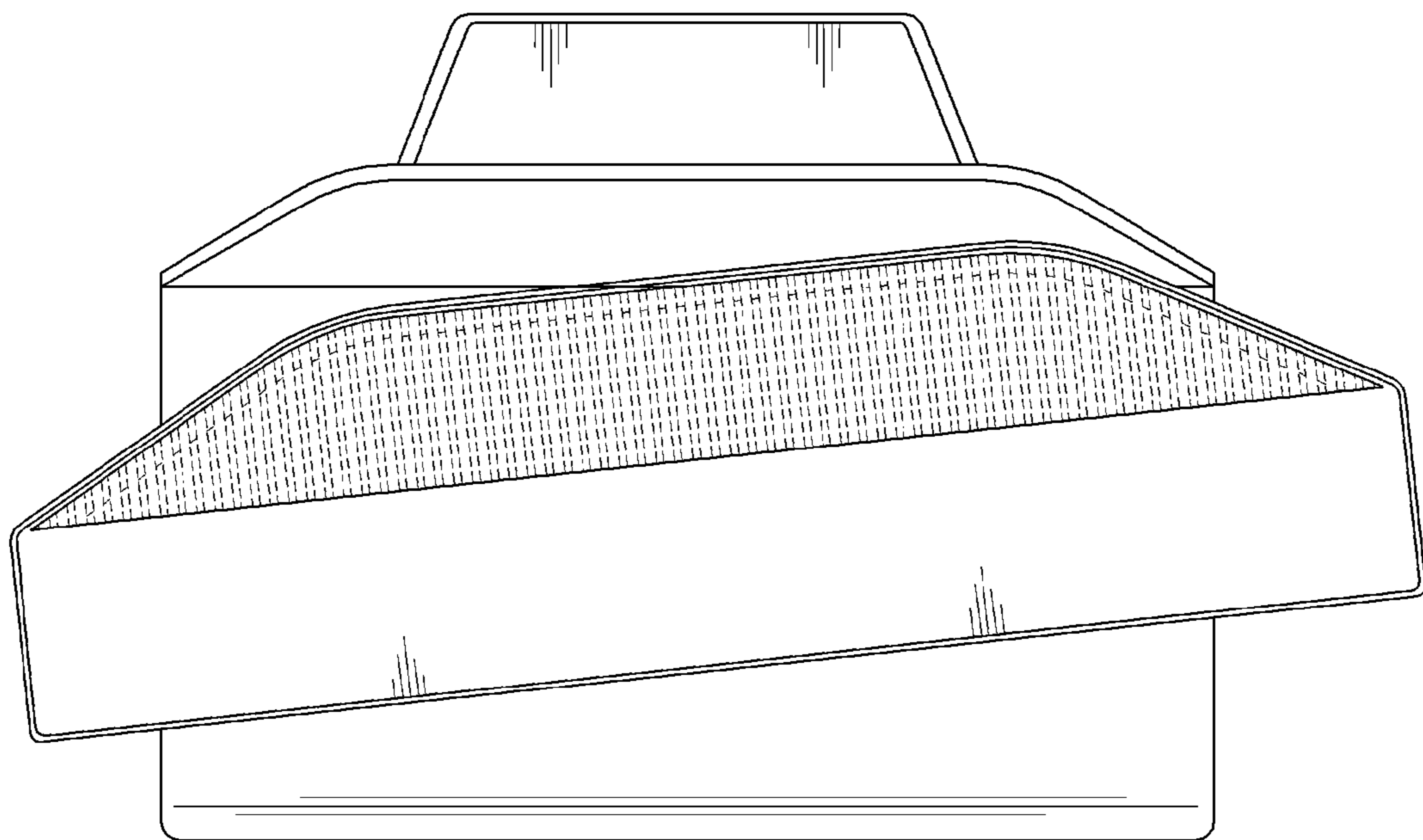


FIG. 12

