

US00D725105S

(12) **United States Design Patent**  
**Olsson et al.**

(10) **Patent No.:** **US D725,105 S**  
(45) **Date of Patent:** **\*\* Mar. 24, 2015**

- (54) **WEARABLE DISPLAY DEVICE**
- (71) Applicant: **Google Inc.**, Mountain View, CA (US)
- (72) Inventors: **Maj Isabelle Olsson**, San Francisco, CA (US); **Matthew Wyatt Martin**, Ross, CA (US)
- (73) Assignee: **Google Inc.**, Mountain View, CA (US)
- (\*\*) Term: **14 Years**
- (21) Appl. No.: **29/504,169**
- (22) Filed: **Oct. 2, 2014**

D512,985 S	12/2005	Travers et al.
D533,893 S	12/2006	Canavan et al.
D559,250 S	1/2008	Pombo et al.
D565,082 S	3/2008	McClure et al.
D566,744 S	4/2008	Travers et al.
D602,064 S	10/2009	Mitsui et al.
7,631,968 B1	12/2009	Dobson et al.
7,753,520 B2	7/2010	Fuziak, Jr.
D647,123 S	10/2011	Cho
D649,177 S	11/2011	Cho et al.
D659,137 S	5/2012	Matsumoto
D659,739 S	5/2012	Olsson et al.
D659,740 S *	5/2012	Olsson et al. .... D16/300
D659,741 S *	5/2012	Heinrich et al. .... D16/309

(Continued)

*Primary Examiner* — Austin Murphy  
(74) *Attorney, Agent, or Firm* — Lerner, David, Littenberg, Krumholz & Mentlik, LLP

**Related U.S. Application Data**

- (62) Division of application No. 29/416,465, filed on Mar. 22, 2012, now Pat. No. Des. 716,806.
- (51) **LOC (10) Cl.** ..... **14-02**
- (52) **U.S. Cl.**  
USPC ..... **D14/372**
- (58) **Field of Classification Search**  
CPC ..... G02B 27/017; G02B 27/0158; G02B 27/0161; G02B 27/0181; G02B 27/0185; G02B 27/0189  
USPC ..... D14/372, 496, 432, 371, 125, 126, 129, D14/299; D16/300–342; 351/158, 153, 144; 345/7–9, 905; 455/344; 348/115, 53, 348/121, 739  
See application file for complete search history.

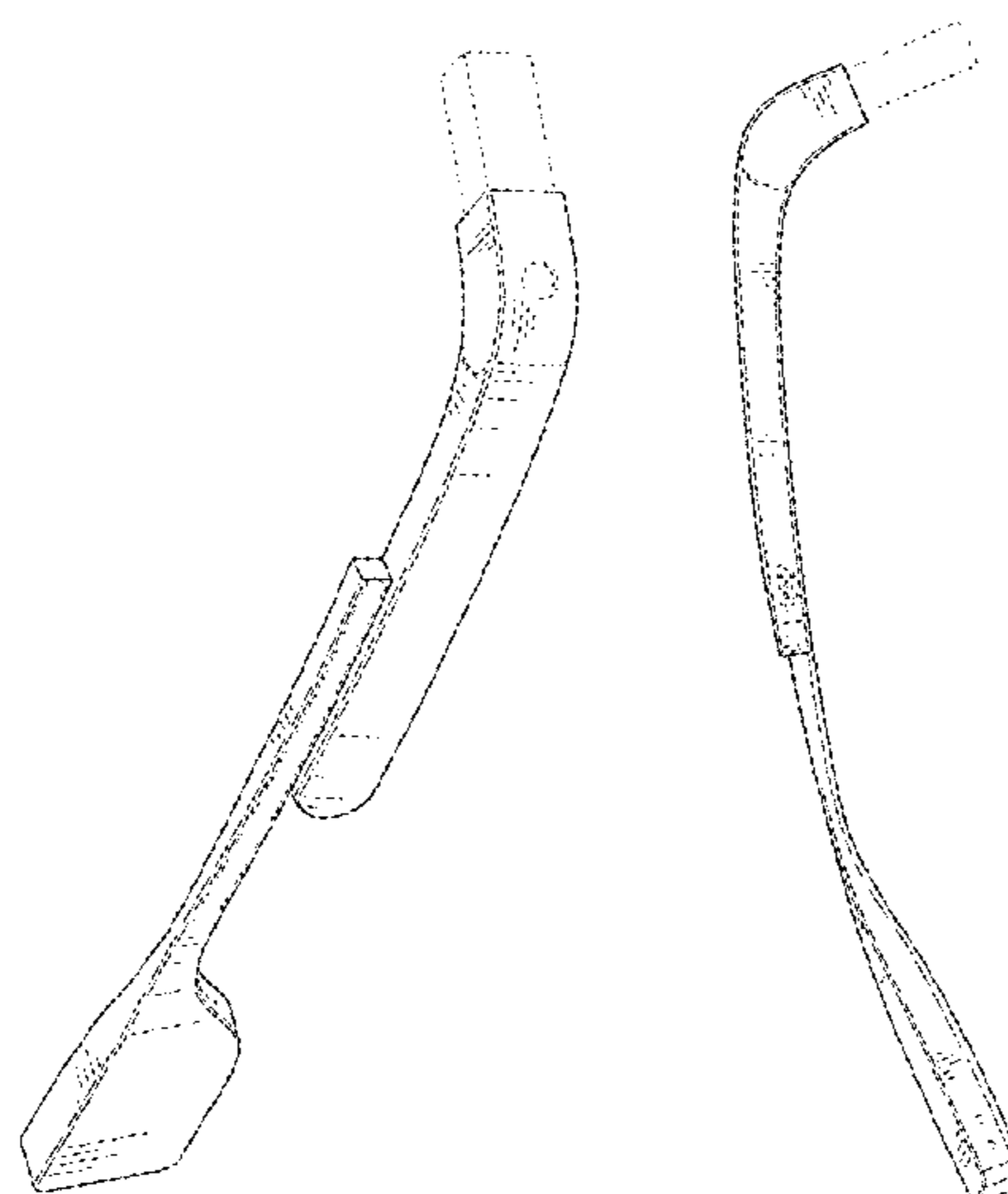
(57) **CLAIM**  
The ornamental design for a wearable display device, as shown and described.

**DESCRIPTION**

FIG. 1 is a front perspective view of a component of a wearable display device according to our design;  
FIG. 2 is a front elevation view of the wearable display device component of FIG. 1;  
FIG. 3 is a back elevation view of the wearable display device component of FIG. 1;  
FIG. 4 is a right elevation view of the wearable display device component of FIG. 1;  
FIG. 5 is a left elevation view of the wearable display device component of FIG. 1;  
FIG. 6 is a top elevation view of the wearable display device component of FIG. 1; and,  
FIG. 7 is a bottom elevation view of the wearable display device component of FIG. 1.  
Broken lines are environmental only and form no part of the claimed design.

**1 Claim, 3 Drawing Sheets**

- (56) **References Cited**  
U.S. PATENT DOCUMENTS  
D327,079 S 6/1992 Allen  
D334,557 S 4/1993 Hunter et al.  
D337,320 S 7/1993 Hunter et al.  
D402,651 S 12/1998 Depay et al.  
D429,253 S 8/2000 Robertson et al.  
D436,960 S 1/2001 Budd et al.  
6,747,611 B1 6/2004 Budd et al.



(56)

**References Cited**

U.S. PATENT DOCUMENTS

D660,341 S 5/2012 Olsson et al.  
D662,964 S 7/2012 Olsson et al.  
D664,184 S 7/2012 Olsson et al.  
D664,185 S \* 7/2012 Heinrich et al. .... D16/309  
D664,586 S 7/2012 Olsson  
D666,237 S 8/2012 Olsson et al.  
D669,066 S 10/2012 Olsson et al.  
D671,589 S 11/2012 Olsson  
D680,152 S 4/2013 Olsson et al.

D688,727 S \* 8/2013 Olsson ..... D16/300  
D691,602 S 10/2013 Sugihara et al.  
D692,424 S 10/2013 Pombo et al.  
D697,962 S 1/2014 Olsson  
D701,506 S 3/2014 Pombo  
D703,724 S 4/2014 Olsson  
D708,181 S \* 7/2014 Olsson et al. .... D14/372  
D711,375 S \* 8/2014 Lee et al. .... D14/372  
D711,376 S \* 8/2014 Lee et al. .... D14/372  
D715,295 S \* 10/2014 Lee et al. .... D14/372  
D716,299 S \* 10/2014 Olsson et al. .... D14/372

\* cited by examiner

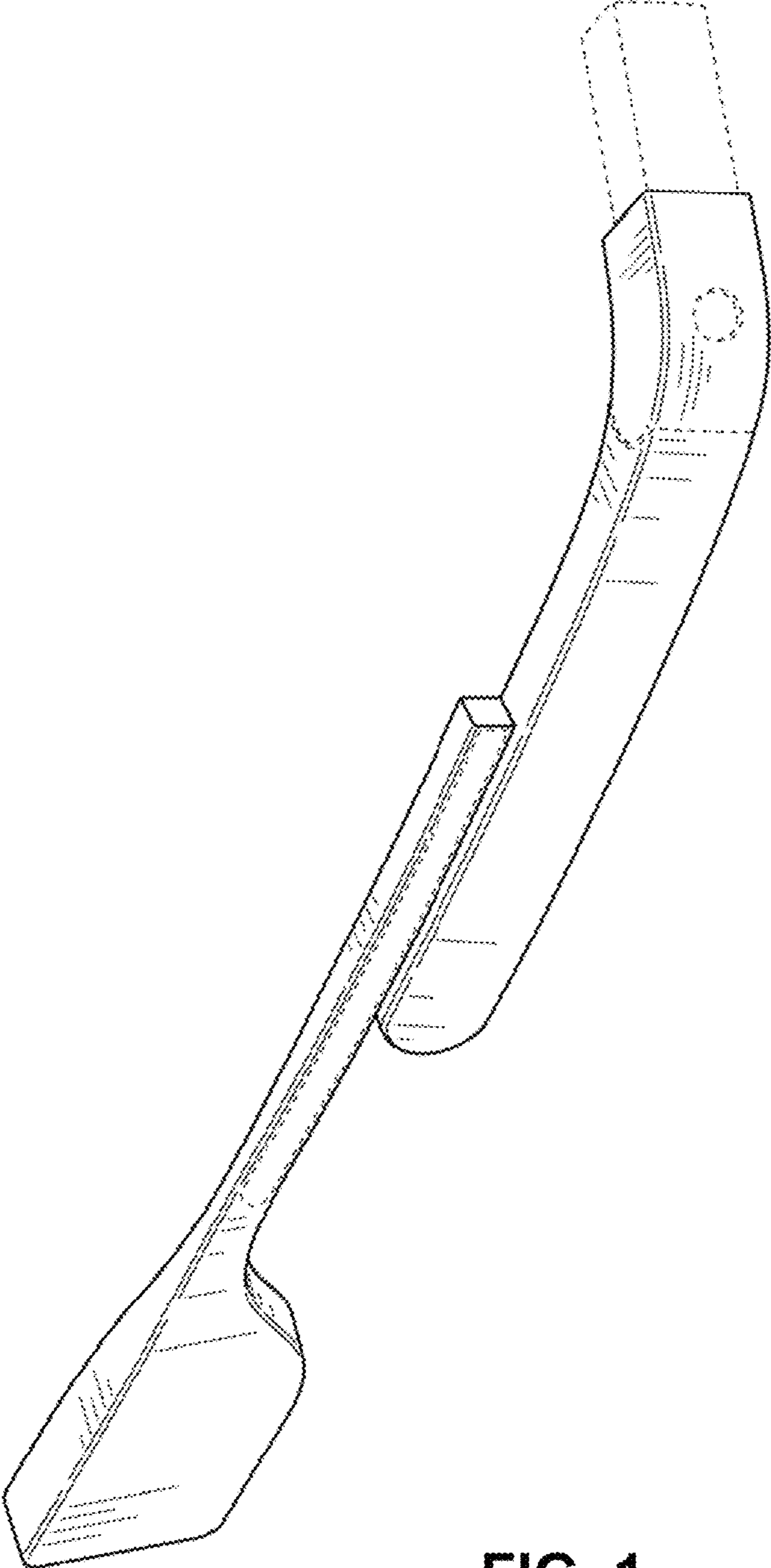


FIG. 1

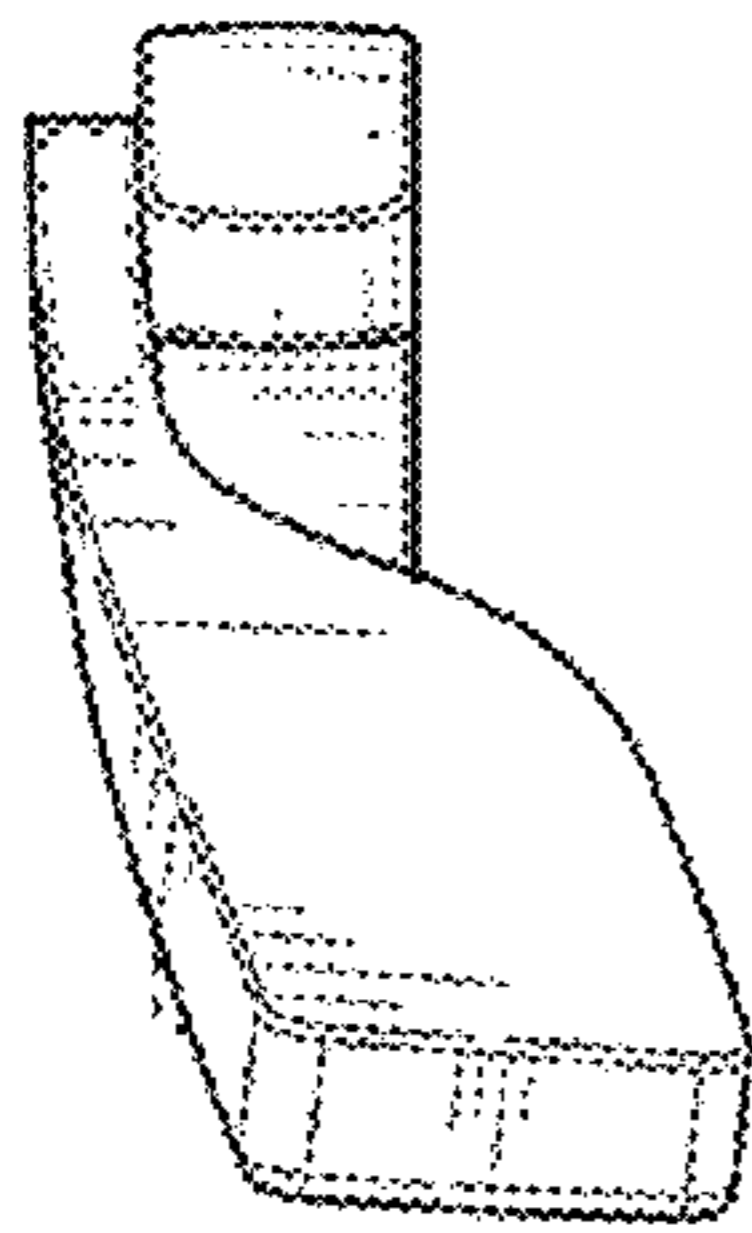


FIG. 3

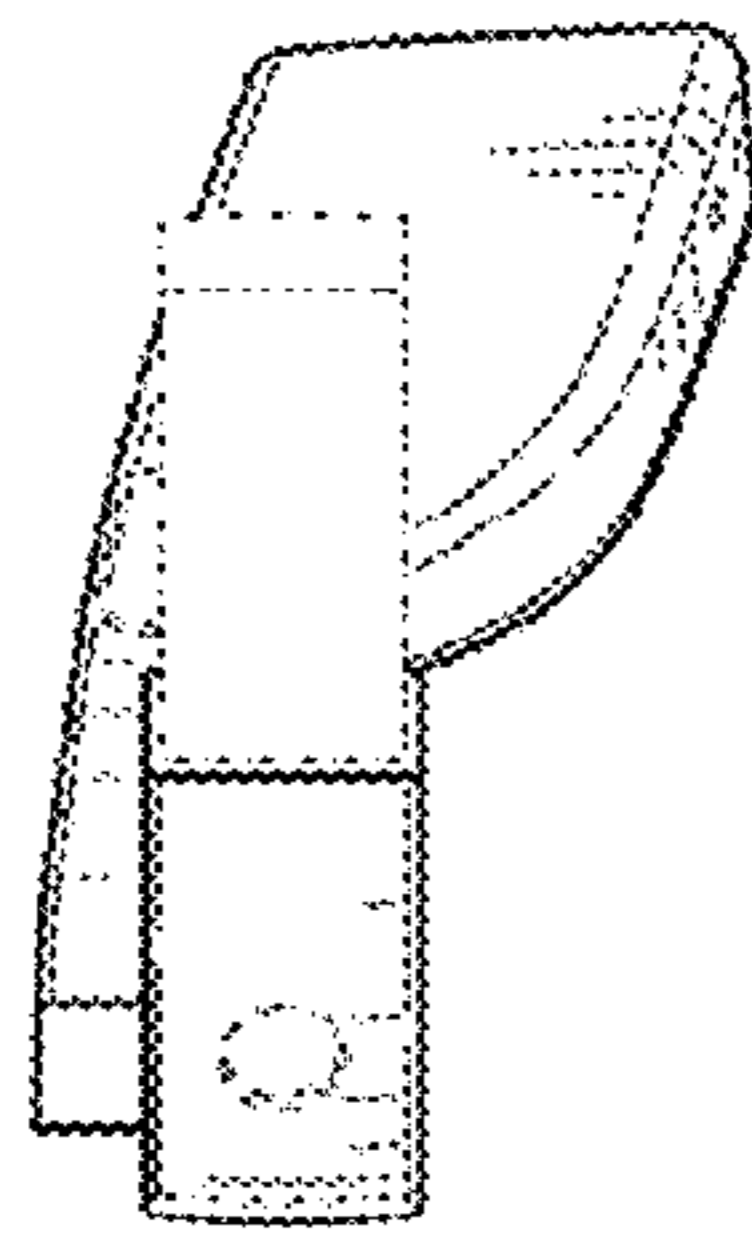


FIG. 2

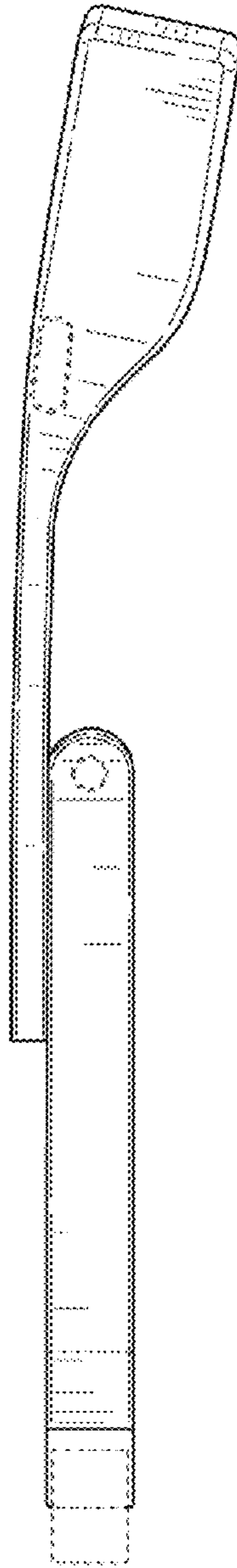


FIG. 4

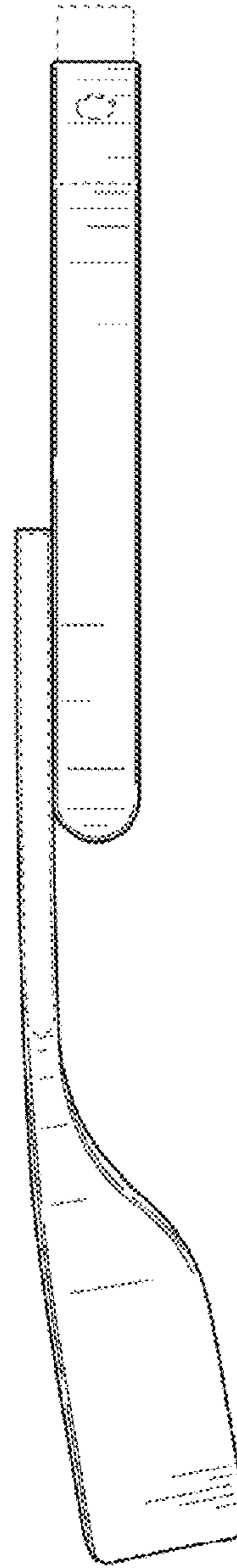


FIG. 5

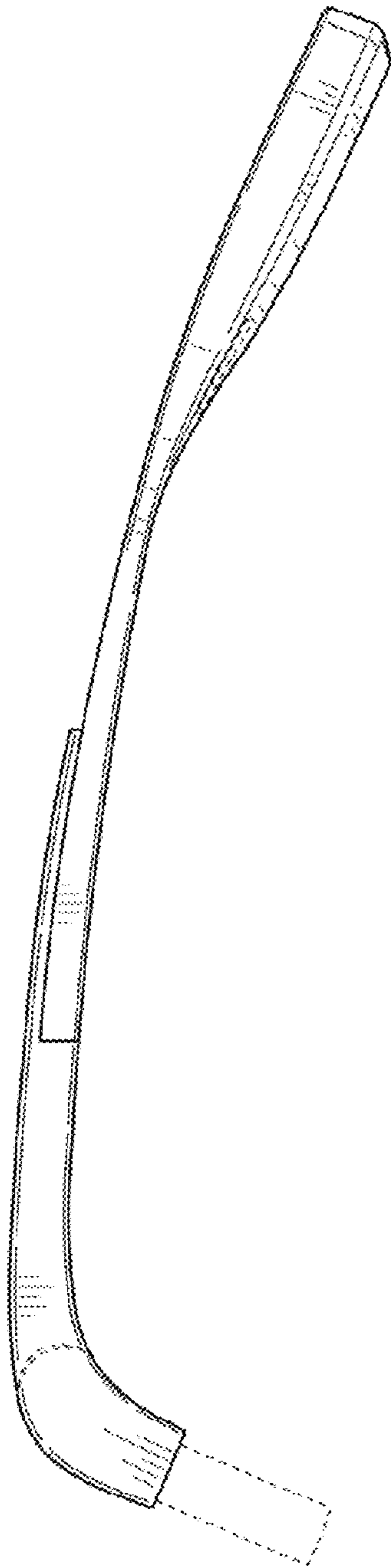


FIG. 6

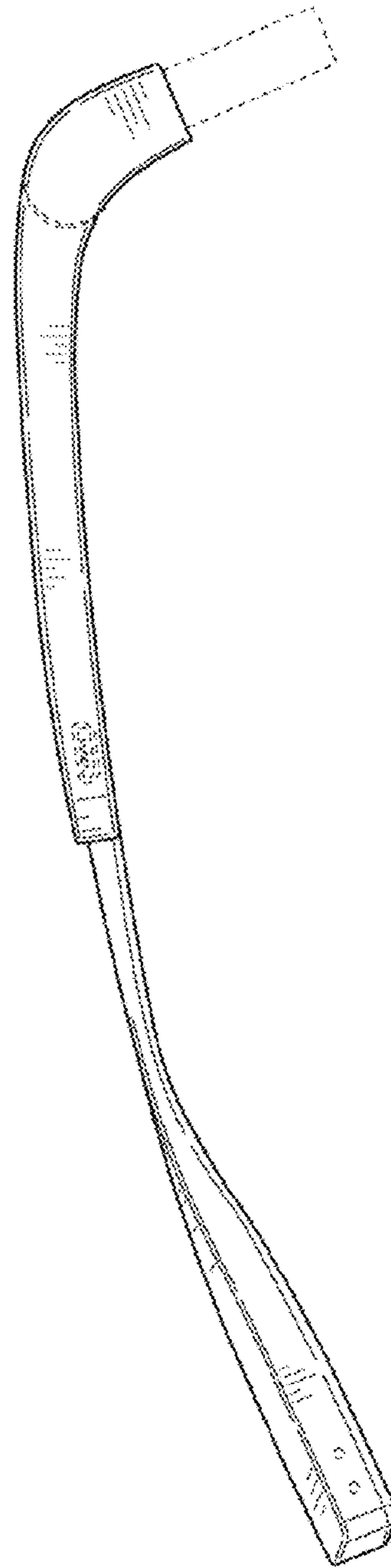


FIG. 7