



US00D725099S

(12) **United States Design Patent**
Neumann

(10) **Patent No.:** **US D725,099 S**
(45) **Date of Patent:** **** Mar. 24, 2015**

(54) **DATA TRANSMISSION DEVICE**

FOREIGN PATENT DOCUMENTS

(71) Applicant: **I+ME ACTIA Informatik und Mikro-Elektronik GmbH**,
Braunschweig (DE)

EM 000884390-0006 5/2008
EM 001248595-0028 * 5/2011

(Continued)

(72) Inventor: **Manfred Neumann**, Braunschweig (DE)

OTHER PUBLICATIONS

(73) Assignee: **I+ME ACTIA Informatik und Mikro-Elektronik GmbH**,
Braunschweig (DE)

Atlona AT-PCLink Wireless USB KVM switch starts to ship.
[online]. Kee, Edwin, 2010 [retrieved on Nov. 26, 2013]. Retrieved
from the Internet: <URL: <http://www.ubergizmo.com/2010/08/atlona-at-pclink-wireless-usb-kvm-switch-starts-to-ship/>>.*

(Continued)

(**) Term: **14 Years**

(21) Appl. No.: **29/448,555**

Primary Examiner — Deanna L Pratt

(22) Filed: **Mar. 13, 2013**

(74) *Attorney, Agent, or Firm* — Whitham Curtis
Christofferson & Cook, PC

(30) **Foreign Application Priority Data**

Sep. 13, 2012 (WO) DEN/691647301

(51) **LOC (10) Cl.** **14-02**

(52) **U.S. Cl.**
USPC **D14/358**; D14/434; D14/217; D10/78;
D13/108

(57) **CLAIM**

I claim the ornamental design for a data transmission device,
as shown and described.

(58) **Field of Classification Search**
USPC D13/103, 184, 199, 107, 108; D14/125,
D14/137, 155, 167, 188, 203.1–203.8, 217,
D14/230, 238–242, 299–300, 356, 358, 363,
D14/365, 367–368, 370, 432–435.1, 436,
D14/480.1–480.7, 483–484.1, 496;
361/679.31–679.41, 752;
710/300–304; 711/100, 115; D10/78
See application file for complete search history.

DESCRIPTION

FIG. 1 is a top plan view of a data transmission device;
FIG. 2 is a perspective view of a data transmission device;
FIG. 3 is a second perspective view of a data transmission
device;
FIG. 4 is a right side elevation view of a data transmission
device;
FIG. 5 is a left side elevation view of a data transmission
device;
FIG. 6 is a front elevation view of a data transmission device;
and,
FIG. 7 is a rear elevation view of a data transmission device.
The bottom of a data transmission device, not shown, forms
no part of the claimed design.
Broken line areas show environmental subject matter and
form no part of the claimed design.

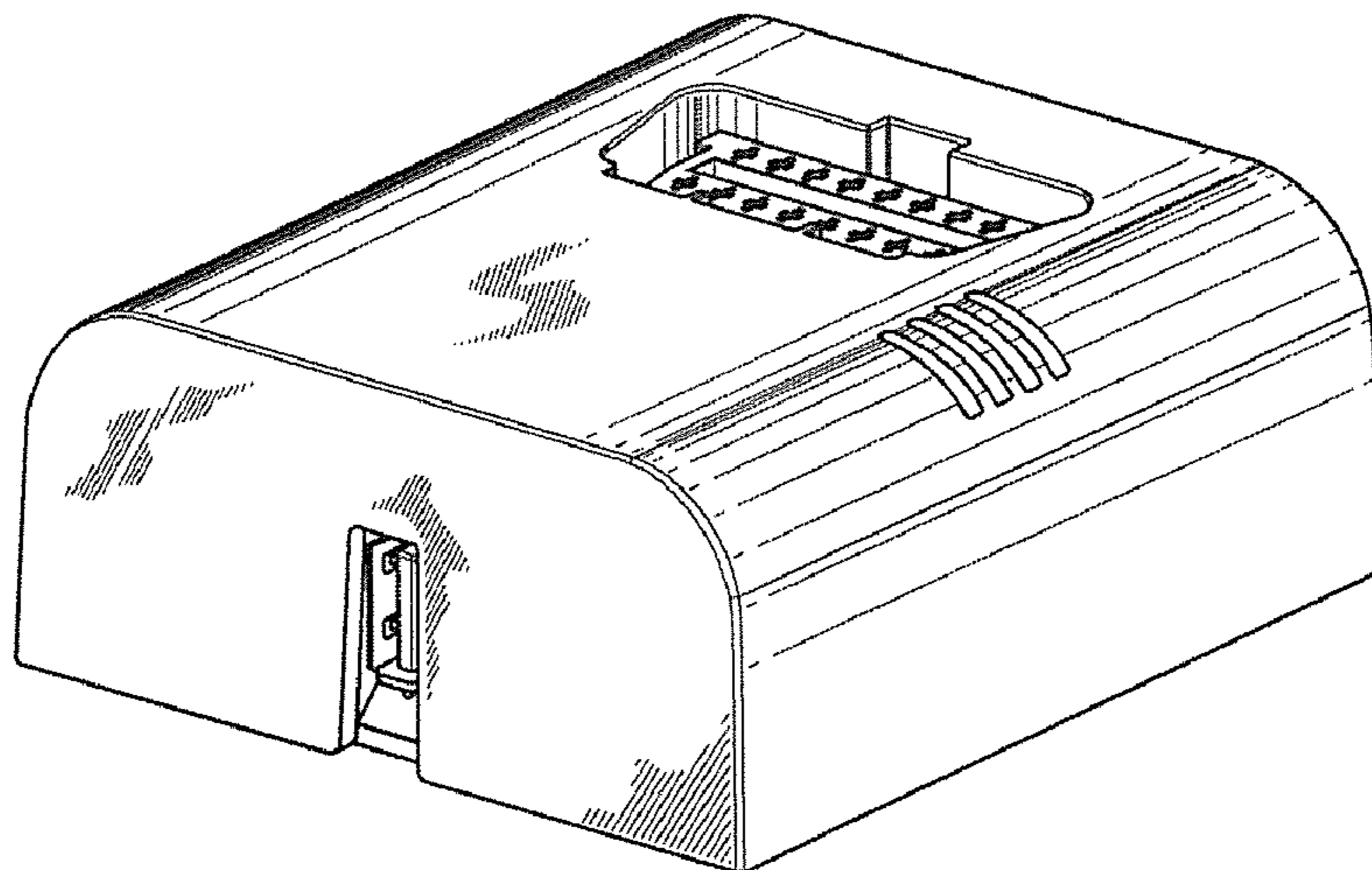
(56) **References Cited**

U.S. PATENT DOCUMENTS

5,107,428 A * 4/1992 Bethencourt et al. 701/29.2
D400,455 S * 11/1998 Fisher D10/78

(Continued)

1 Claim, 7 Drawing Sheets



(56)

References Cited

U.S. PATENT DOCUMENTS

D422,556 S * 4/2000 Okura et al. D13/107
 D477,823 S * 7/2003 Lavello, Sr. D14/253
 D532,005 S * 11/2006 Leith D14/253
 D554,107 S * 10/2007 Calco et al. D14/217
 D571,241 S * 6/2008 Andreasen et al. D10/78
 D580,855 S * 11/2008 Haspil et al. D13/108
 D590,770 S * 4/2009 Moss D13/108
 D592,187 S * 5/2009 Ledbetter et al. D14/217
 D607,416 S * 1/2010 Gentner et al. D13/162
 D608,276 S * 1/2010 Takeshita et al. D13/103
 D623,641 S * 9/2010 Harden et al. D14/253
 D625,729 S * 10/2010 McNames et al. D14/434
 D647,920 S * 11/2011 Luo D14/496
 D654,496 S * 2/2012 Chen et al. D14/314
 D656,919 S * 4/2012 Skurdal D14/171
 D656,936 S * 4/2012 Saunders D14/358
 D659,668 S * 5/2012 Neumann D14/155
 D686,595 S * 7/2013 Andre et al. D14/217
 D688,198 S * 8/2013 Takeshita et al. D13/103

D698,674 S * 2/2014 Mattsson D10/78
 D698,675 S * 2/2014 Sallander D10/78
 D716,732 S * 11/2014 Neumann D13/133
 D716,803 S * 11/2014 Neumann D14/358
 D716,804 S * 11/2014 Neumann D14/358
 2004/0253997 A1 * 12/2004 Kochie 455/575.1
 2012/0026661 A1 * 2/2012 Ni et al. 361/679.4

FOREIGN PATENT DOCUMENTS

JP D1337633 * 8/2008
 KR 300452247.0000 * 6/2007

OTHER PUBLICATIONS

CradlePoint MBR1200 & Verizon Wireless Pantech 4G LTE USB Modem Review. [online]. McKee, Randy, 2012 [retrieved on Nov. 26, 2013]. Retrieved from the Internet: <URL: <http://gadgetnerdly.com/cradlepoint-mbr1200-verizon-wireless-pantech-4g-lte-usb-modem-review/>>.*

* cited by examiner

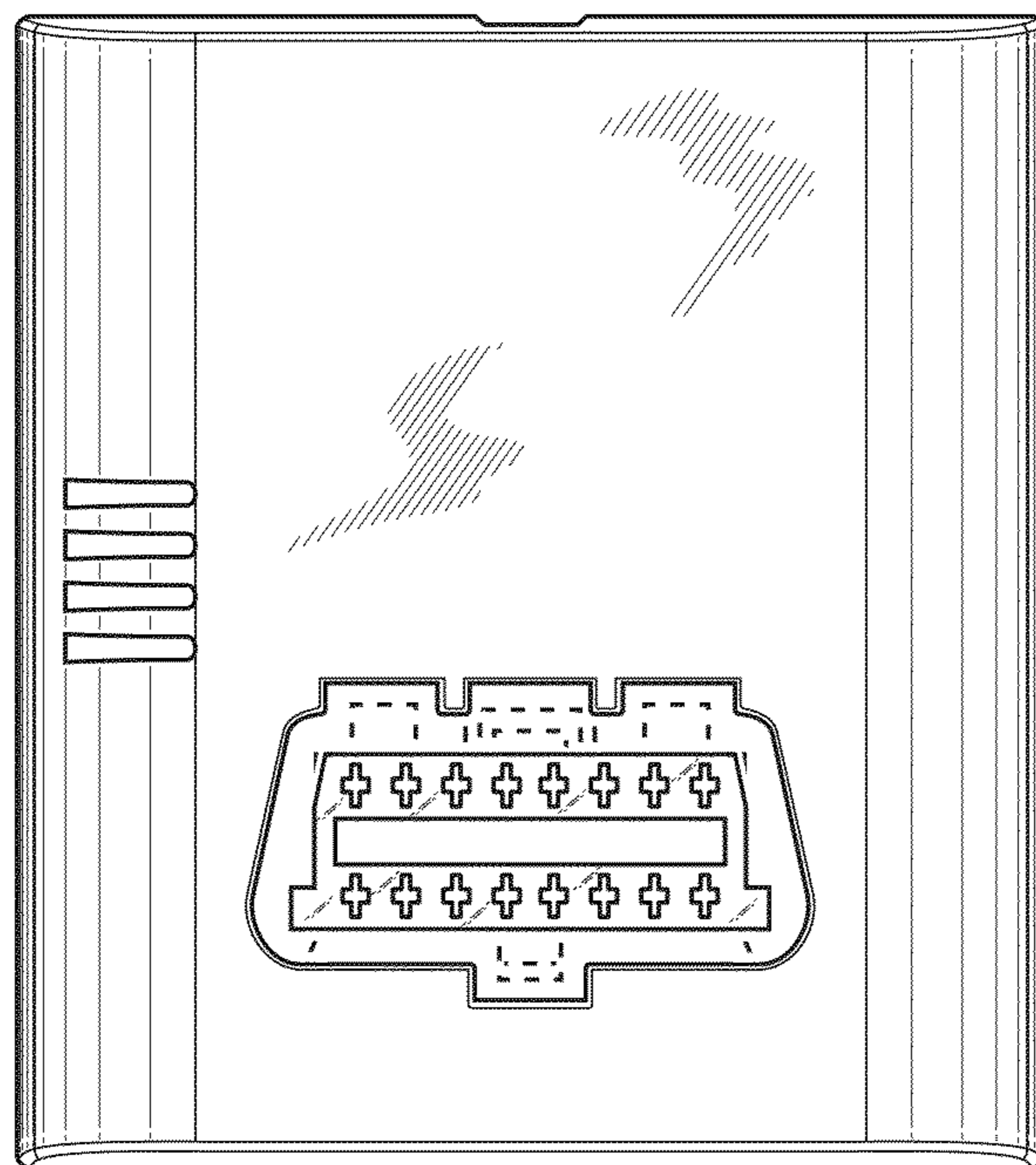


Figure 1

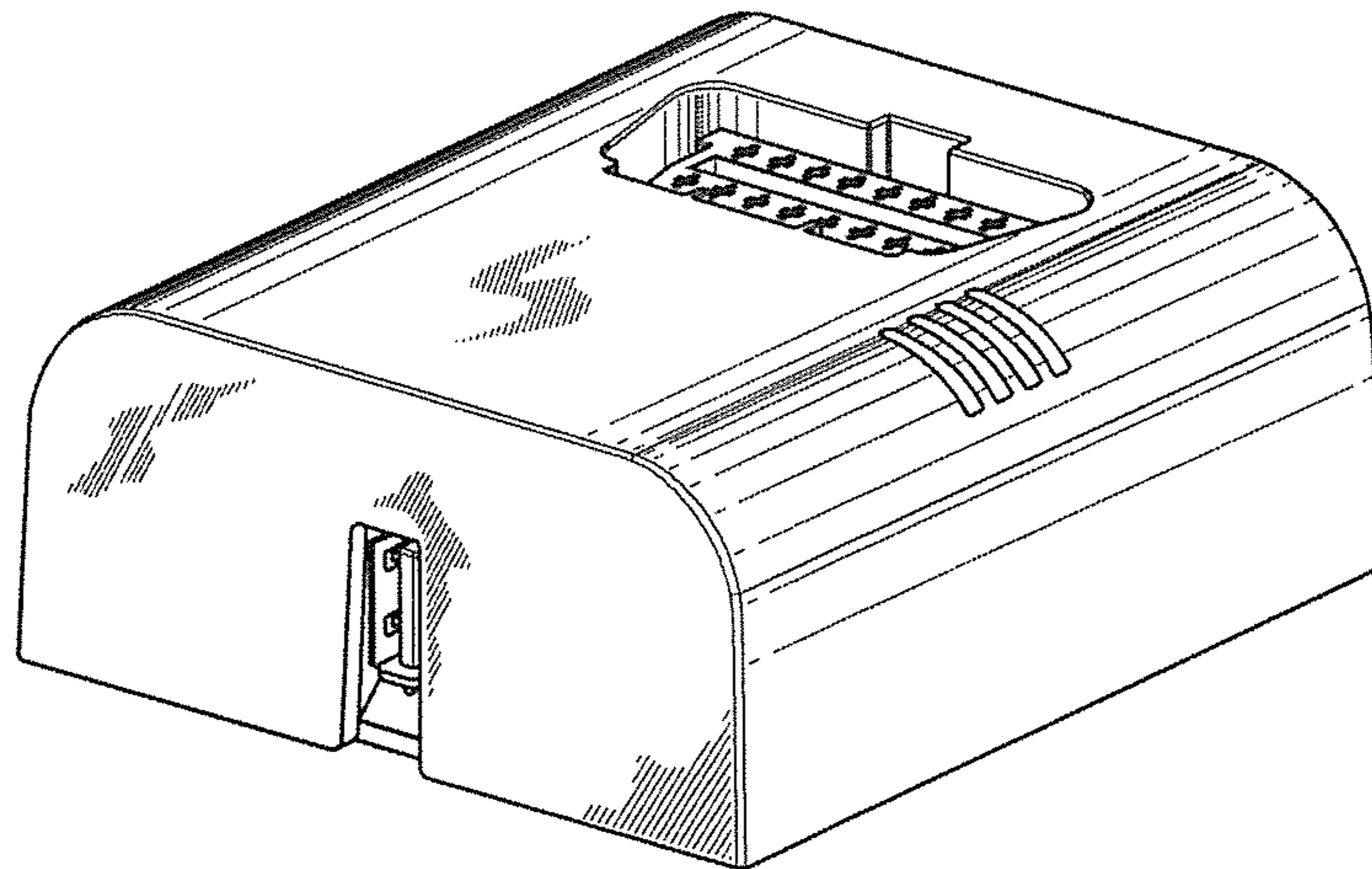


Figure 2

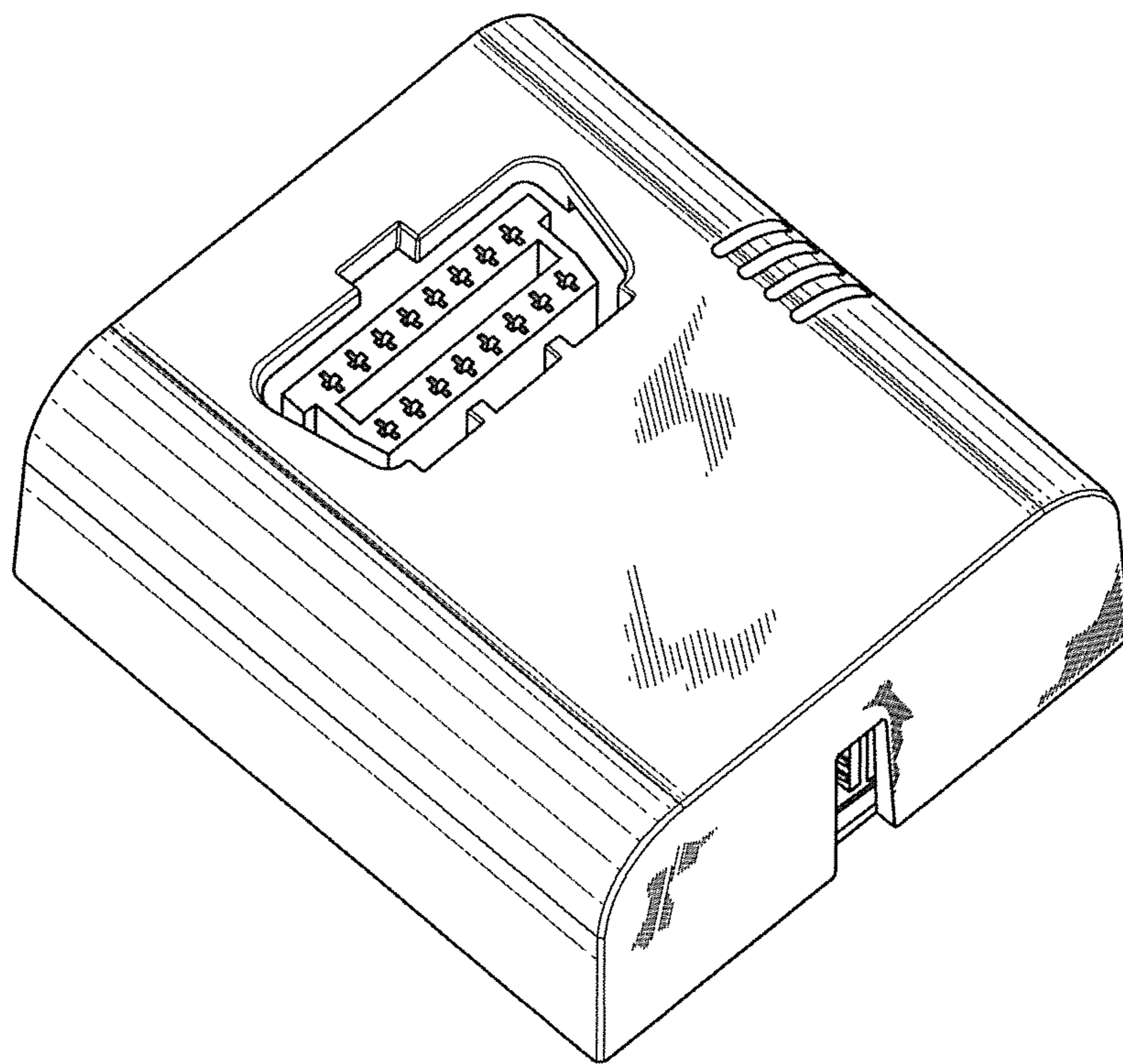


Figure 3

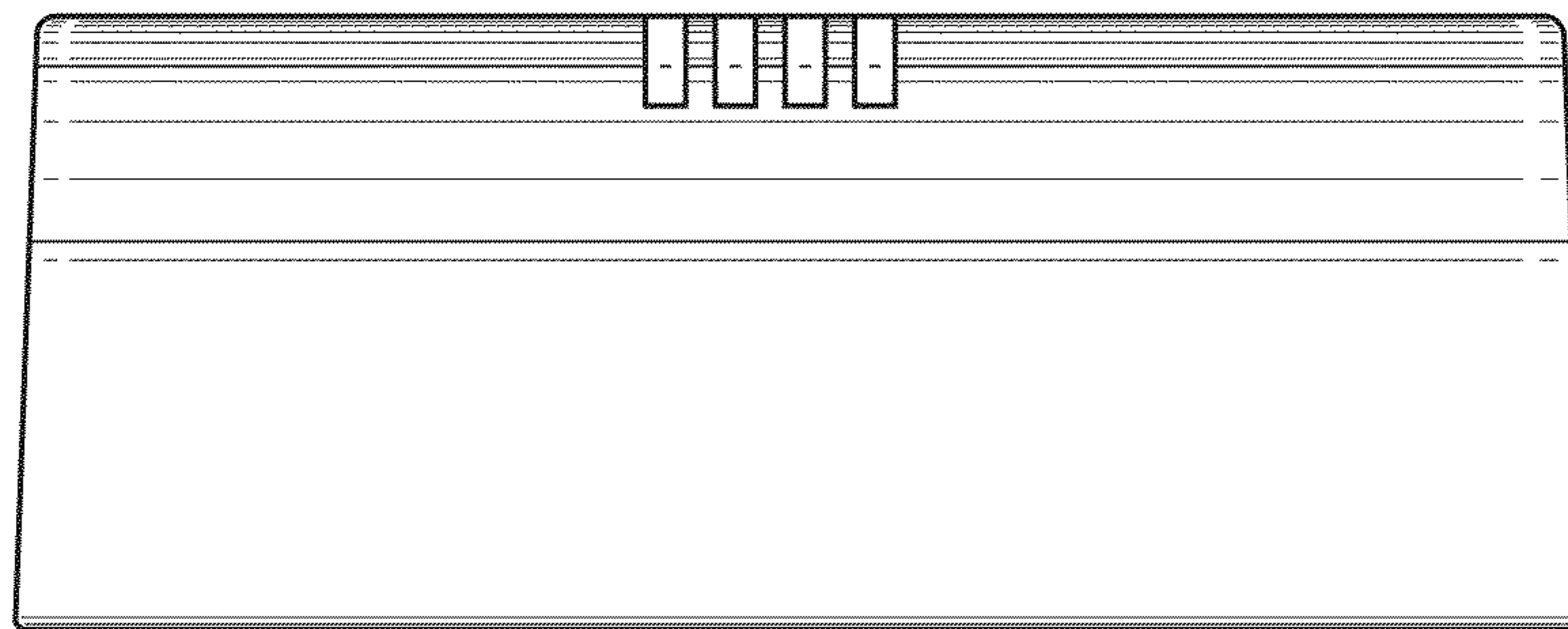


Figure 4

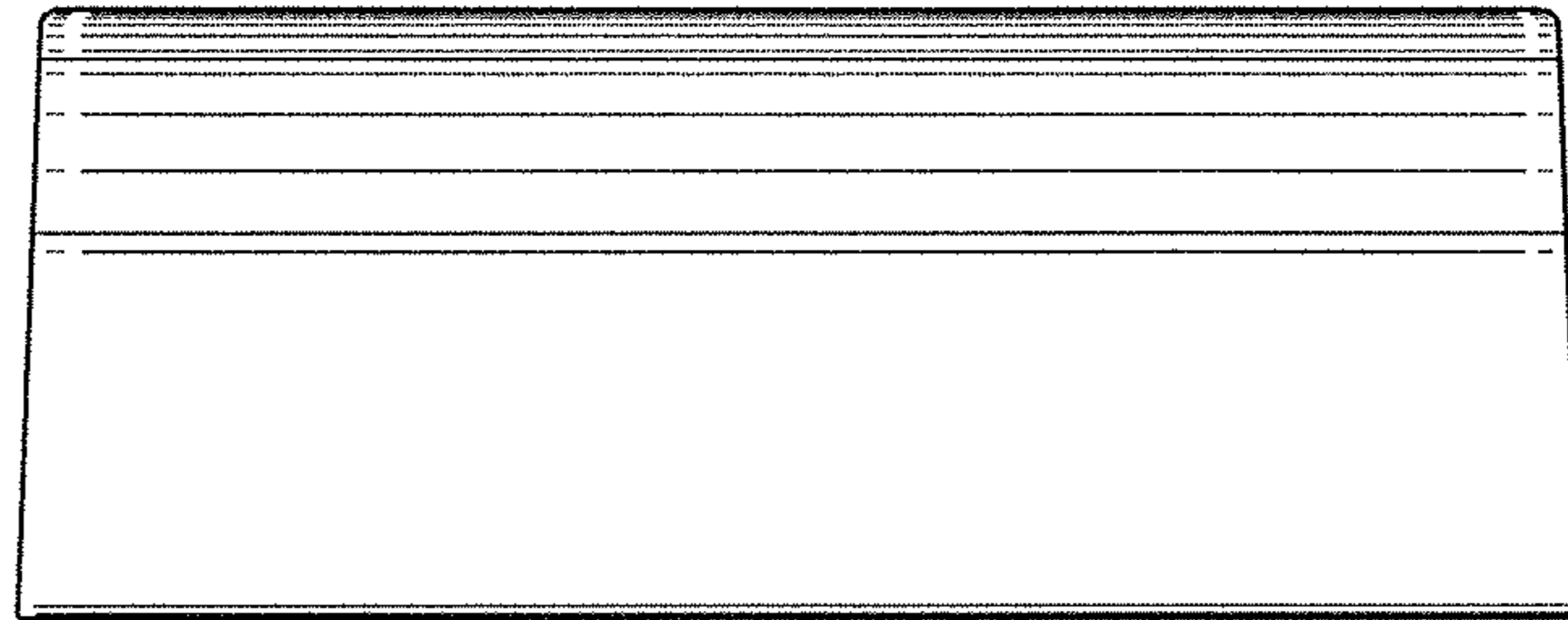


Figure 5

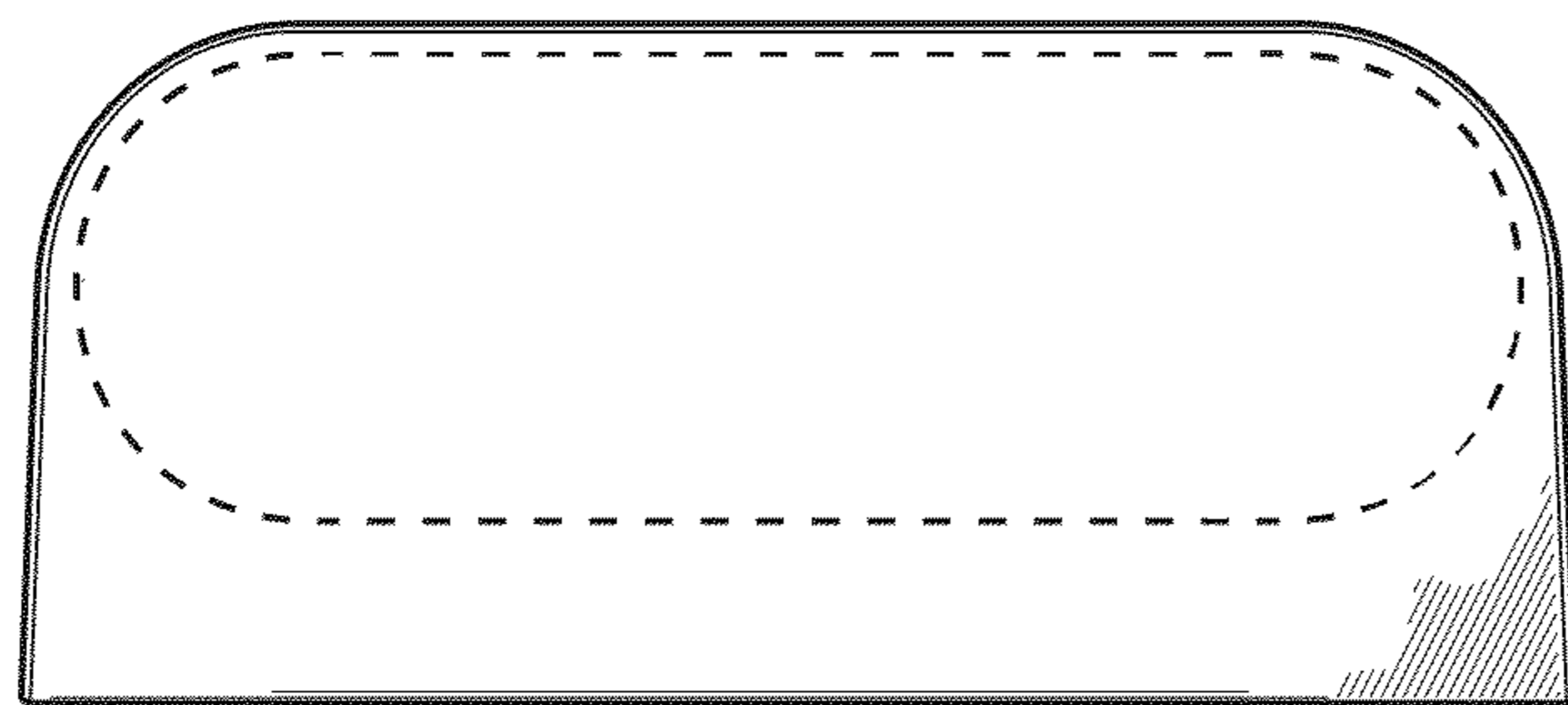


Figure 6

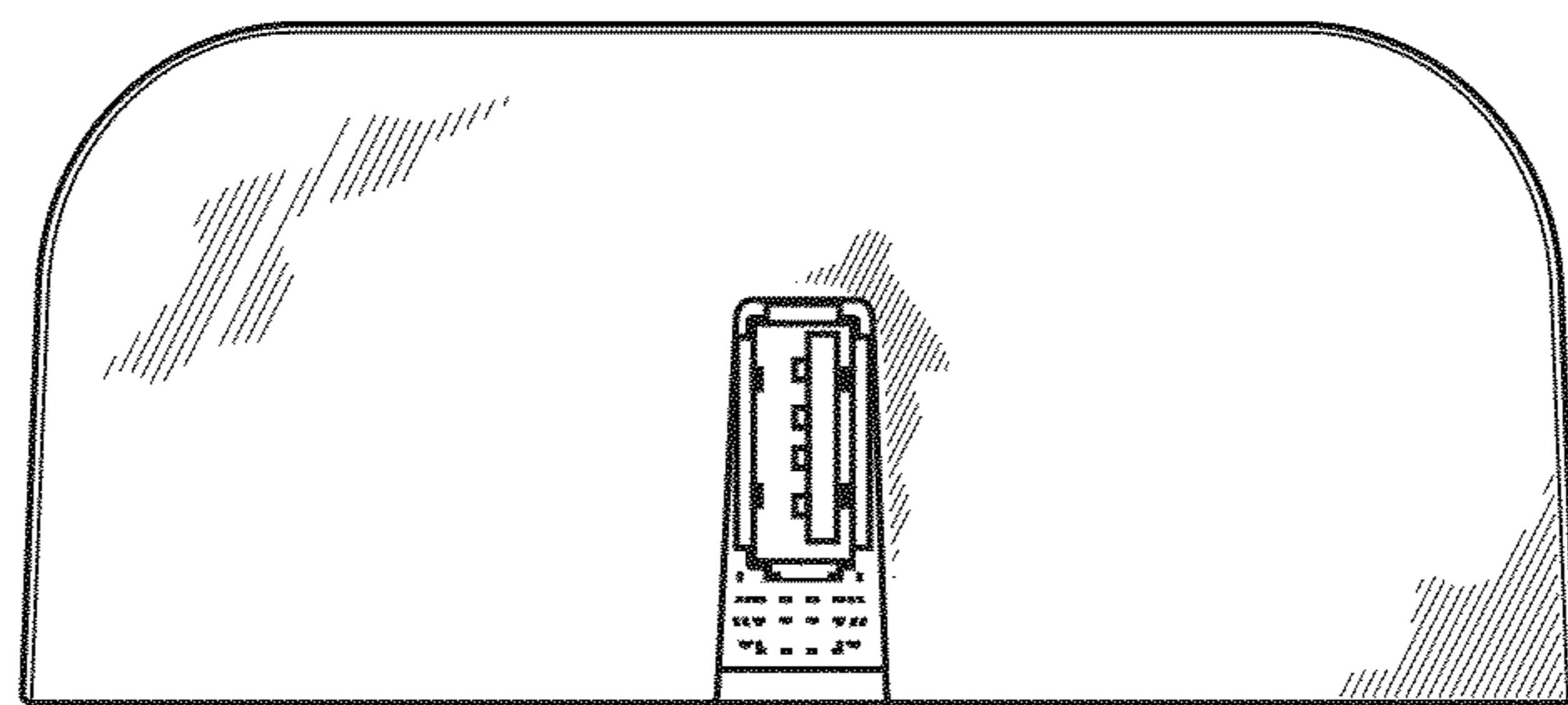


Figure 7