



US00D725093S

(12) **United States Design Patent**  
**Sun et al.**

(10) **Patent No.:** **US D725,093 S**  
(45) **Date of Patent:** **\*\* Mar. 24, 2015**

(54) **COMBINED COVER AND STAND**  
(71) Applicant: **Otter Products, LLC**, Fort Collins, CO (US)  
(72) Inventors: **Hsiao Lu Sun**, Fort Collins, CO (US);  
**Adam J. Havens**, Fort Collins, CO (US)  
(73) Assignee: **Otter Products, LLC**, Fort Collins, CO (US)  
(\*\*) Term: **14 Years**

8,016,107 B2 \* 9/2011 Emsky ..... 206/320  
D657,137 S \* 4/2012 Weller et al. .... D3/218  
D661,646 S \* 6/2012 Son ..... D13/108  
D668,247 S \* 10/2012 Kim et al. .... D14/253  
D669,459 S \* 10/2012 Kim ..... D14/253  
D674,803 S \* 1/2013 Westrup ..... D14/440  
D674,804 S \* 1/2013 Cote ..... D14/447  
8,382,059 B2 \* 2/2013 Le Gette et al. .... 248/460  
D681,624 S \* 5/2013 Chang ..... D14/250  
D683,955 S \* 6/2013 Melanson et al. .... D3/218  
D685,990 S \* 7/2013 Zhang ..... D3/218  
D686,609 S \* 7/2013 Kadivar ..... D14/253  
D689,057 S \* 9/2013 Waterman ..... D14/447  
D696,656 S \* 12/2013 Murchison et al. .... D14/250

(Continued)

(21) Appl. No.: **29/467,665**  
(22) Filed: **Sep. 20, 2013**  
(51) **LOC (10) Cl.** ..... **14-03**  
(52) **U.S. Cl.**  
USPC ..... **D14/250**; D14/253  
(58) **Field of Classification Search**  
USPC ..... D14/250–253, 440, 203.3–203.7, 217,  
D14/496, 248, 238.1, 240, 447, 341–347,  
D14/444; D13/103, 107–108, 119; D3/201,  
D3/218, 247, 269, 273, 301, 303;  
248/176.3, 188.8, 309.1, 371, 668;  
361/220, 379.01, 679.01, 679.02,  
361/679.09, 679.21, 679.25, 679.3, 679.4,  
361/679.56, 679.57, 759, 807, 816;  
379/433.11, 451, 455; 455/556.1, 557,  
455/566, 575.1, 575.2, 575.8; 206/37, 45.2,  
206/305, 320, 216; 320/108, 115; 429/96;  
220/4.02; 150/165; 174/50; 235/41,  
235/375, 462; 312/223.1; 396/535  
See application file for complete search history.

Primary Examiner — Carla Jobe Wright

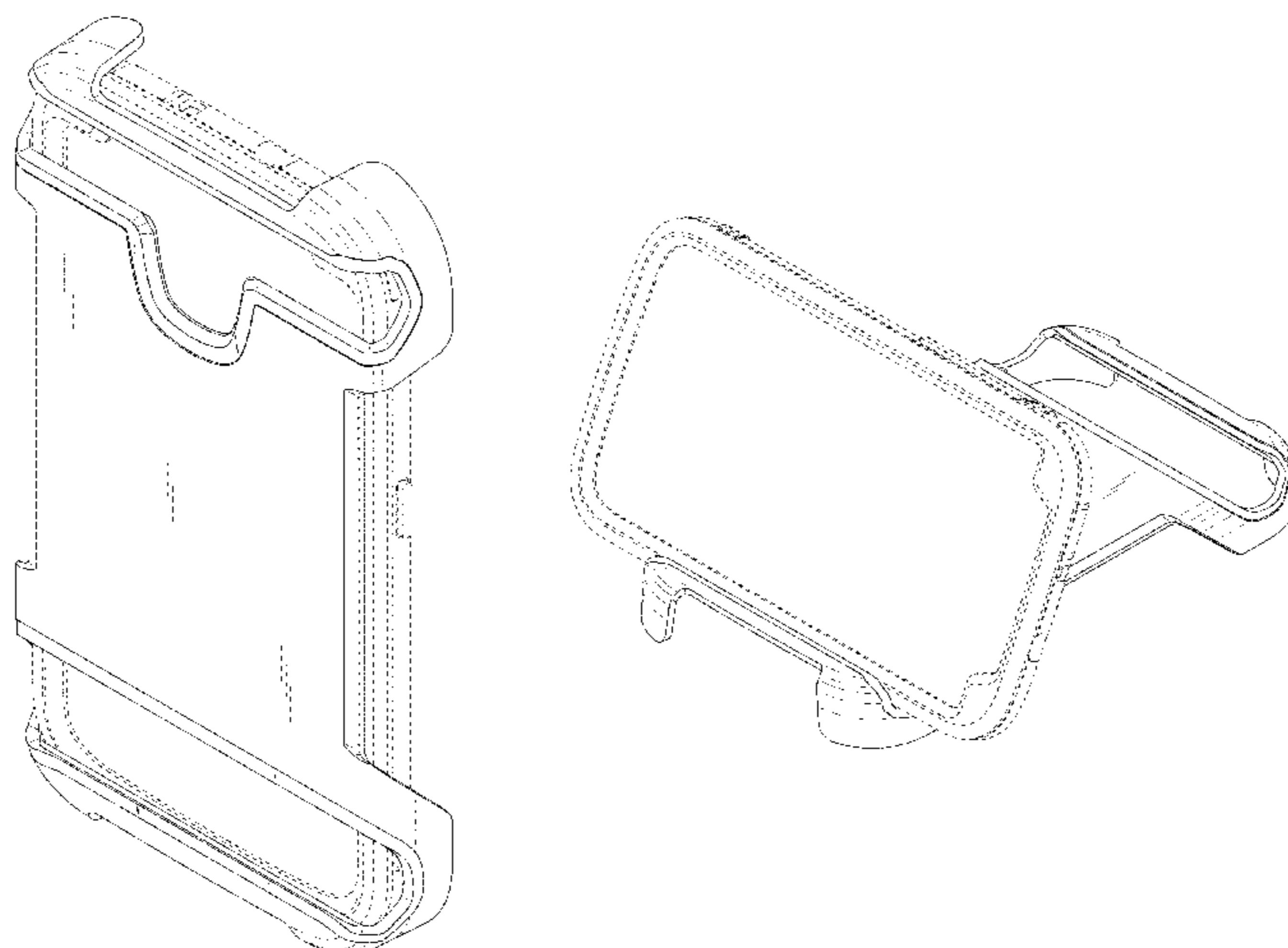
(57) **CLAIM**  
The ornamental design for a combined cover and stand, as shown and described.

**DESCRIPTION**

FIG. 1 is a front isometric view of a combined cover and stand showing our new design;  
FIG. 2 is a rear isometric view thereof;  
FIG. 3 is a front view thereof;  
FIG. 4 is a rear view thereof;  
FIG. 5 is a left view thereof;  
FIG. 6 is a right view thereof;  
FIG. 7 is a top view thereof;  
FIG. 8 is a bottom view thereof;  
FIG. 9 is a front isometric view thereof, showing the combined cover and stand with an unclaimed electronic device;  
FIG. 10 is a front isometric view thereof;  
FIG. 11 is a front isometric view thereof, showing the combined cover and stand in an alternate position with an unclaimed electronic device; and,  
FIG. 12 is a right view thereof.  
The broken lines in FIGS. 1-4 depict unclaimed features of the combined cover and stand. The broken lines in FIGS. 9-12 depict an unclaimed electronic device. The broken lines form no part of the claimed design.

(56) **References Cited**  
U.S. PATENT DOCUMENTS  
D602,913 S \* 10/2009 Han et al. .... D14/217  
D634,315 S \* 3/2011 Nousiainen ..... D14/253  
D640,679 S \* 6/2011 Willes et al. .... D14/250  
D640,707 S \* 6/2011 Yeh ..... D14/447  
D644,428 S \* 9/2011 Feng ..... D3/218  
D645,462 S \* 9/2011 Choi ..... D14/253

**1 Claim, 10 Drawing Sheets**



# US D725,093 S

Page 2

---

(56)

## References Cited

### U.S. PATENT DOCUMENTS

			8,744,536 B2 *	6/2014	Brzana .....	455/575.1
			2011/0019992 A1 *	1/2011	Orf .....	396/419
			2012/0006950 A1 *	1/2012	Vandiver .....	248/176.3
D697,919 S	*	1/2014	Gelsomini et al. ....		D14/447	
D704,194 S	*	5/2014	Young .....		D14/440	

\* cited by examiner

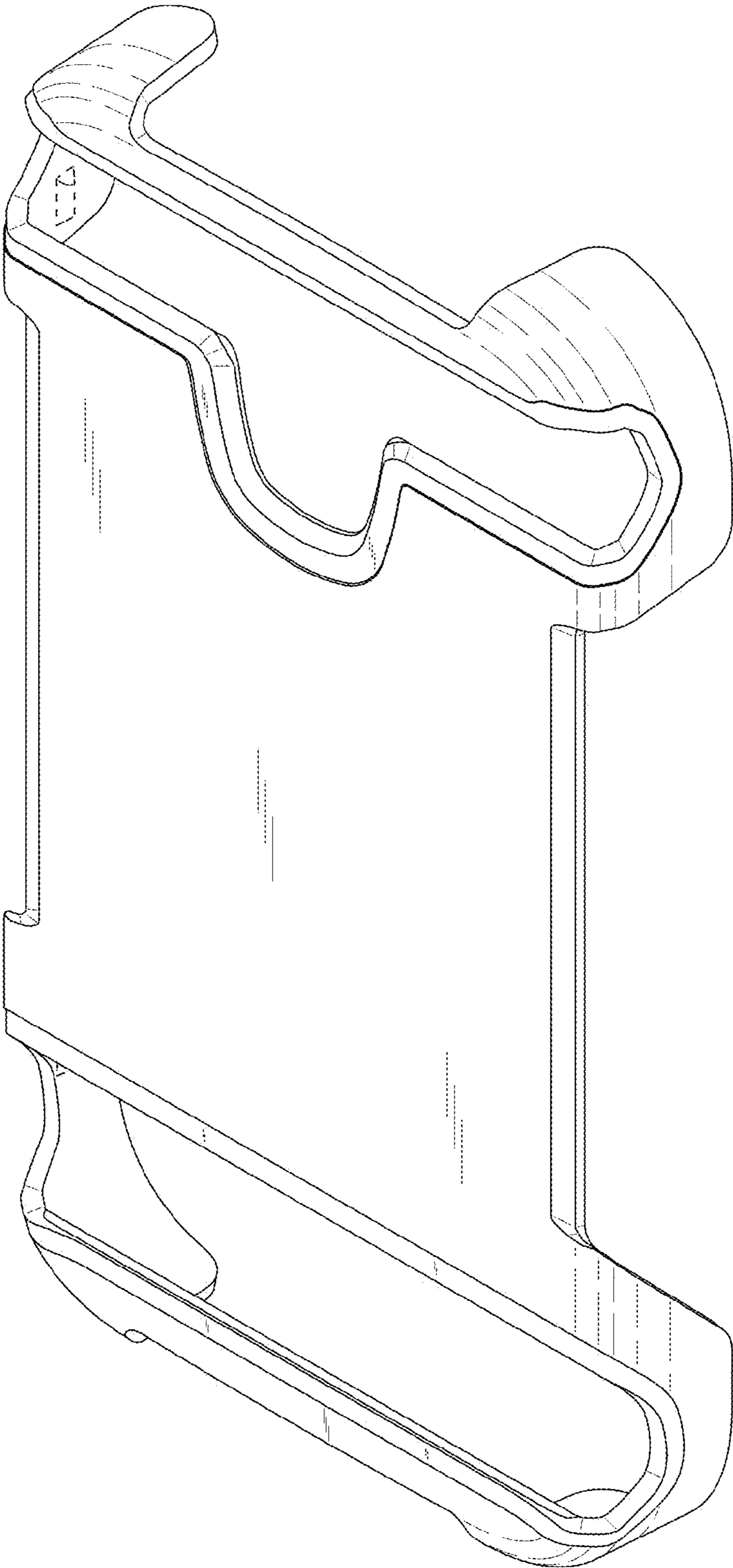


FIG. 1

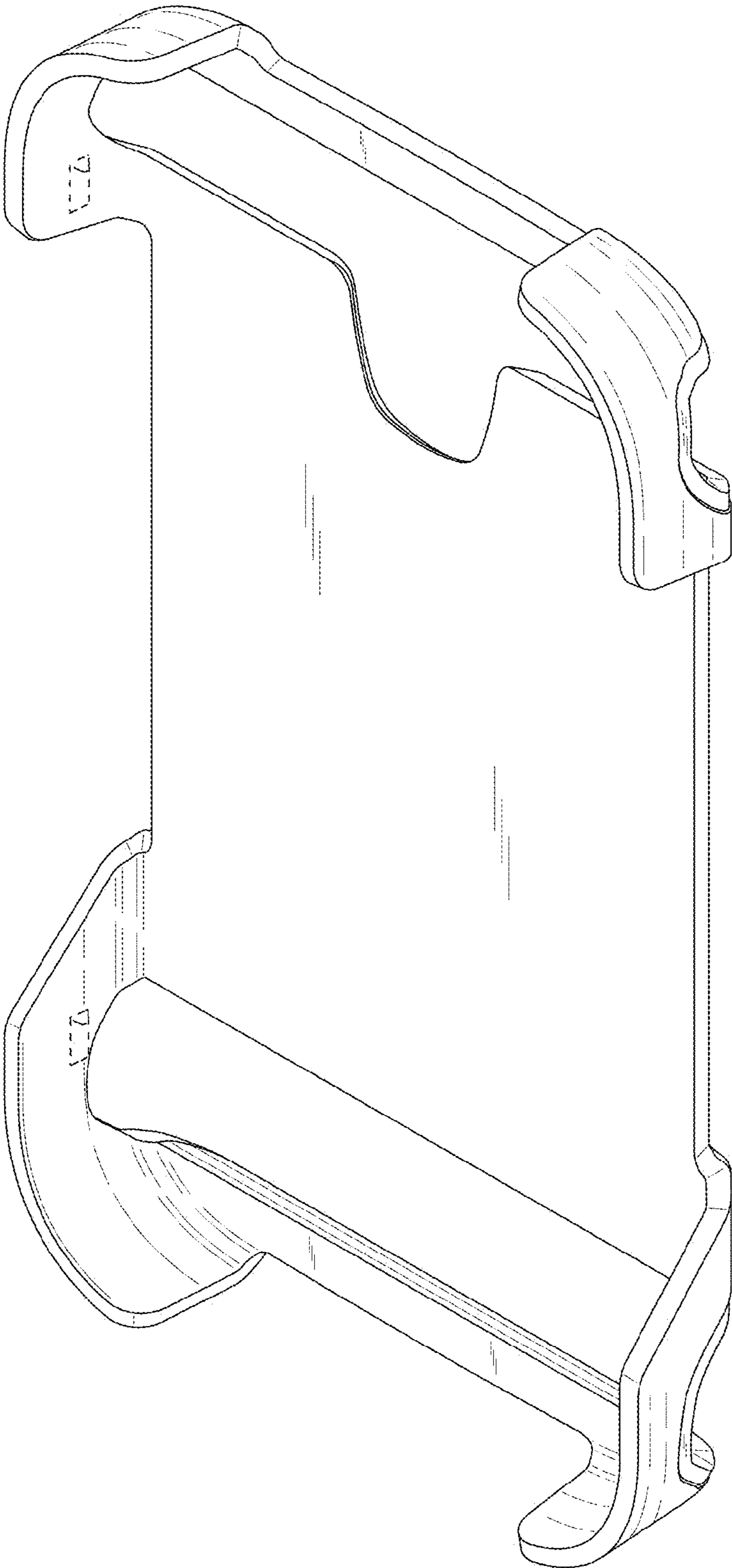


FIG. 2

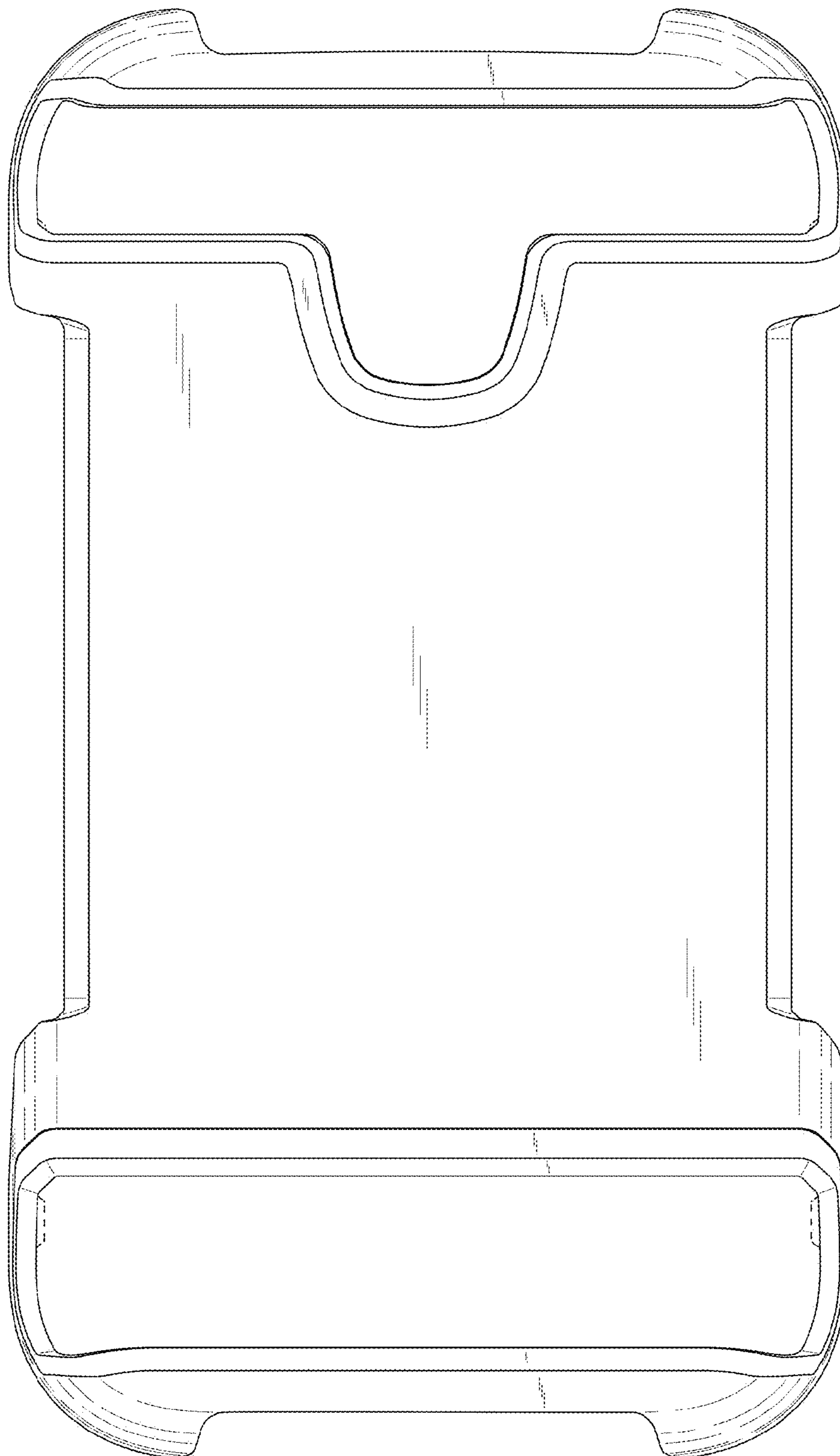


FIG. 3

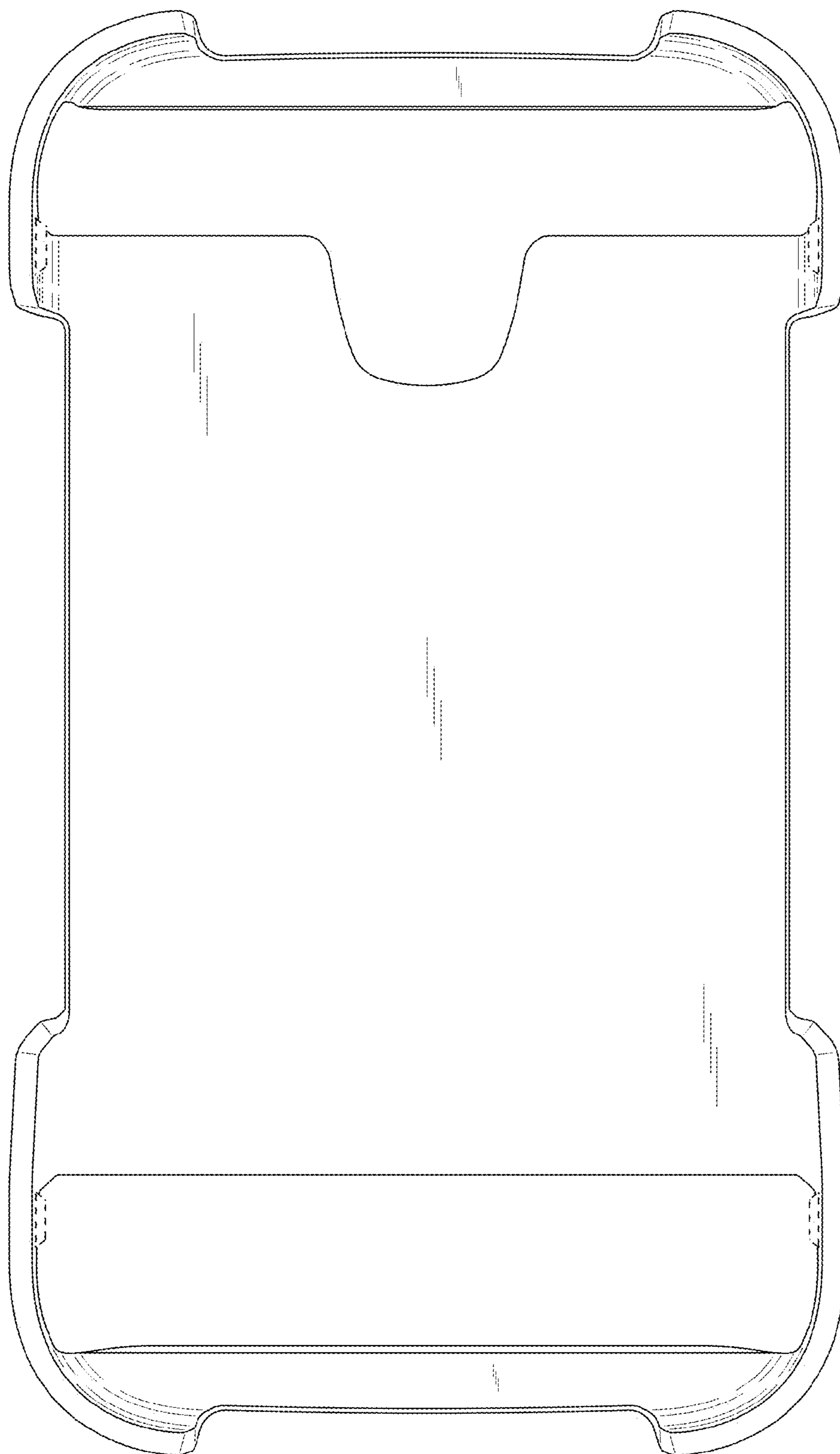


FIG. 4

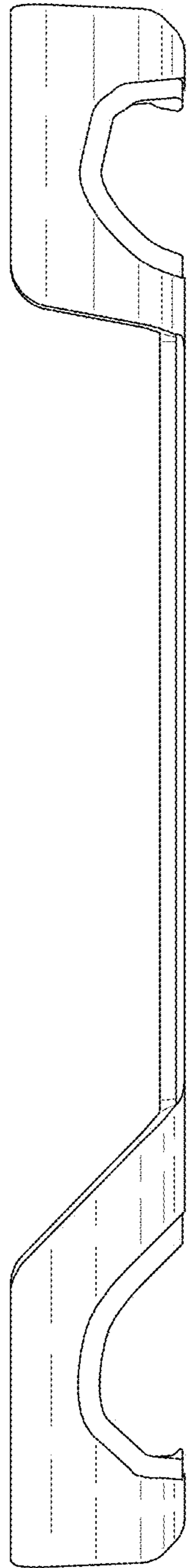


FIG. 5

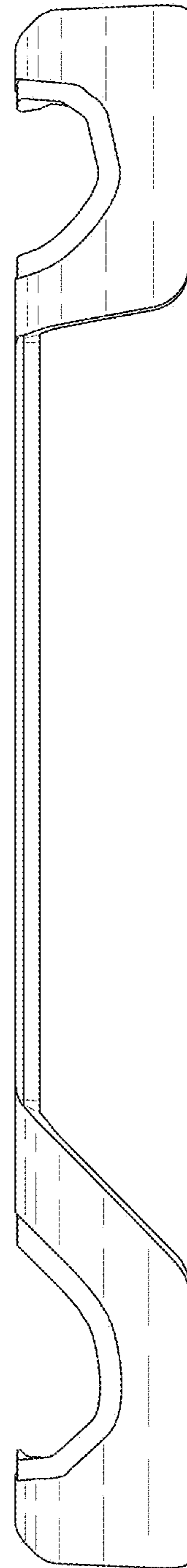


FIG. 6



FIG. 7

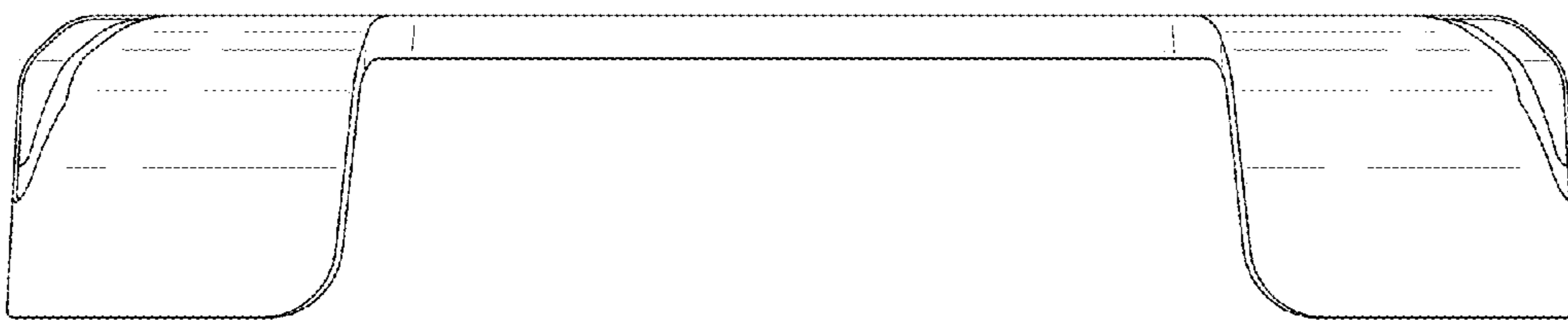


FIG. 8



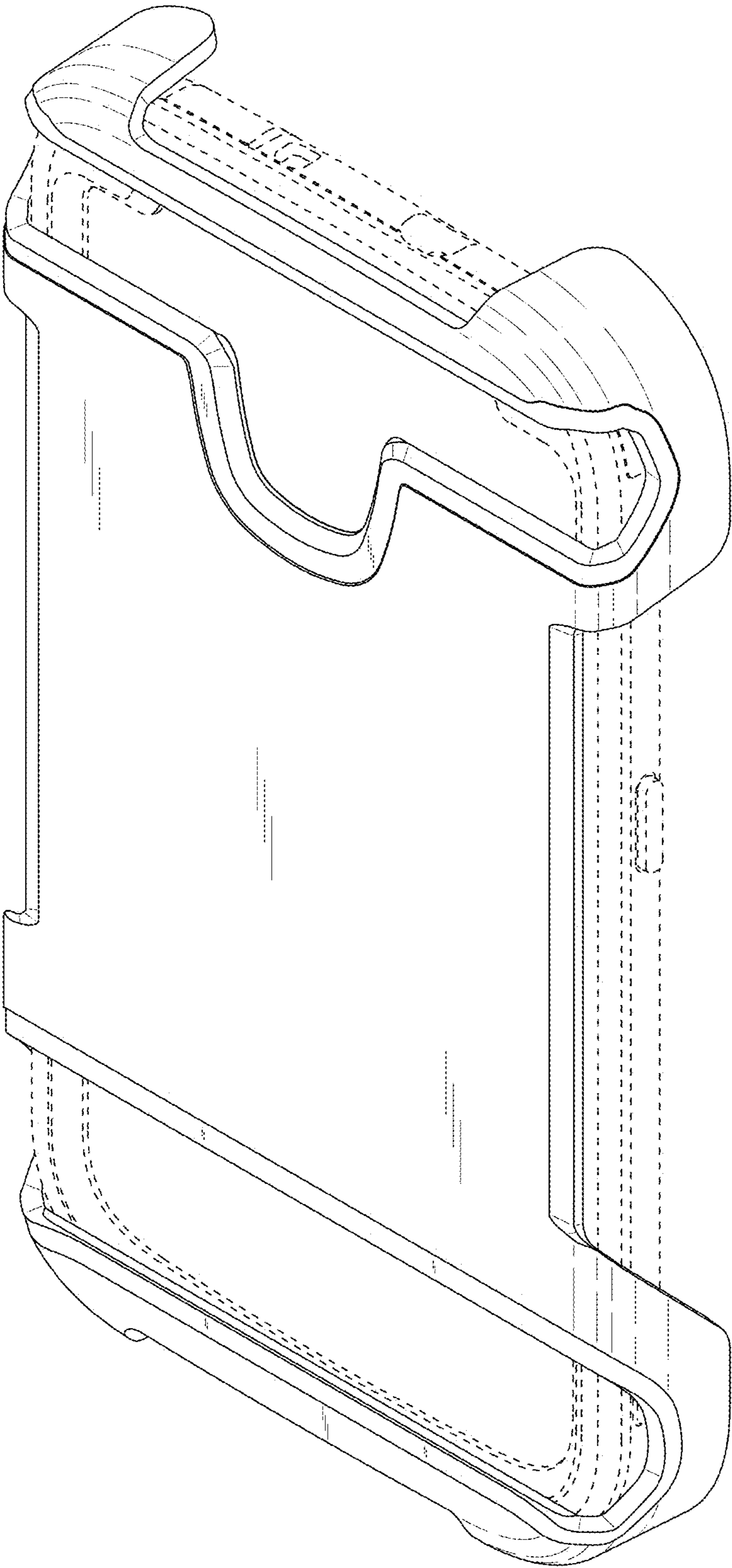


FIG. 9

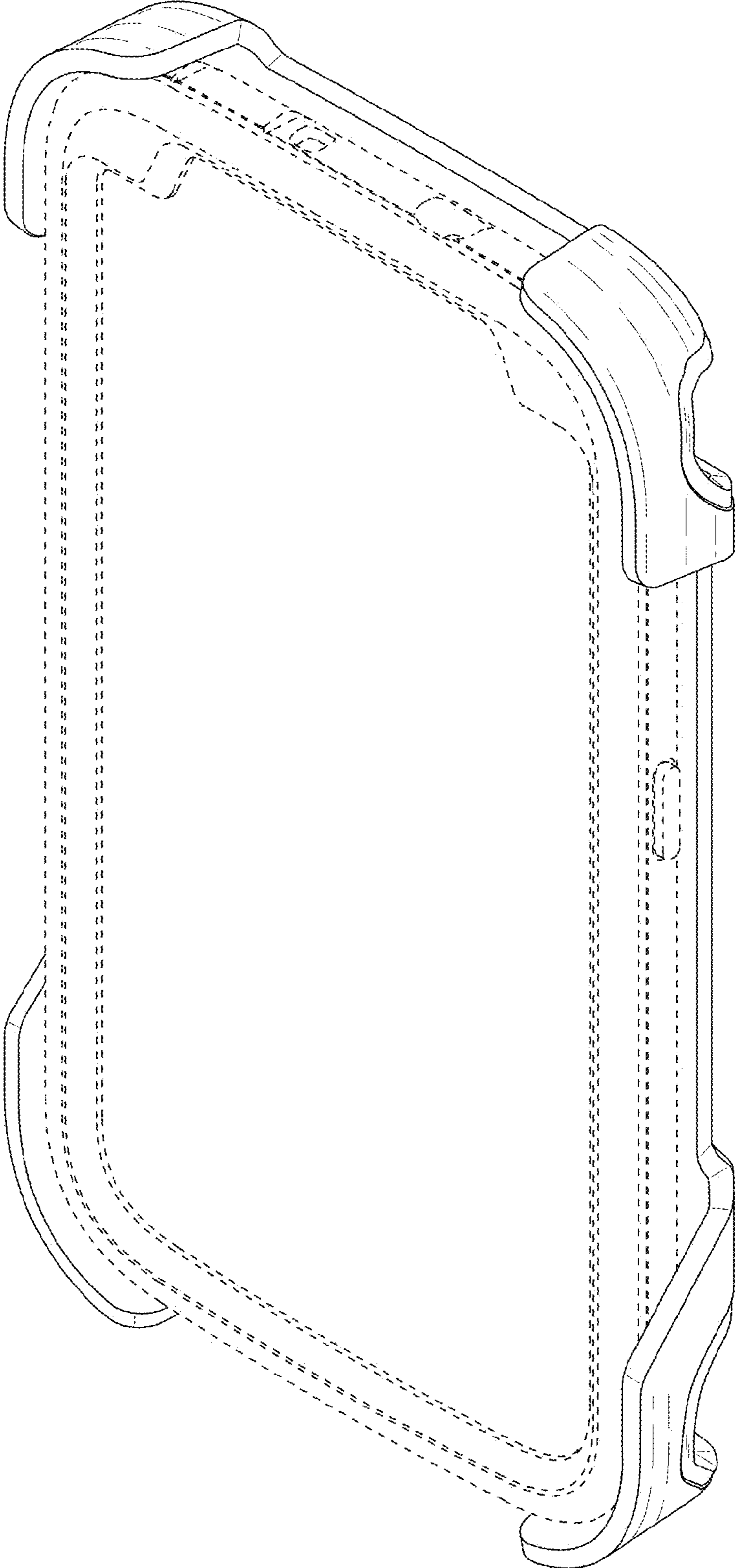


FIG. 10

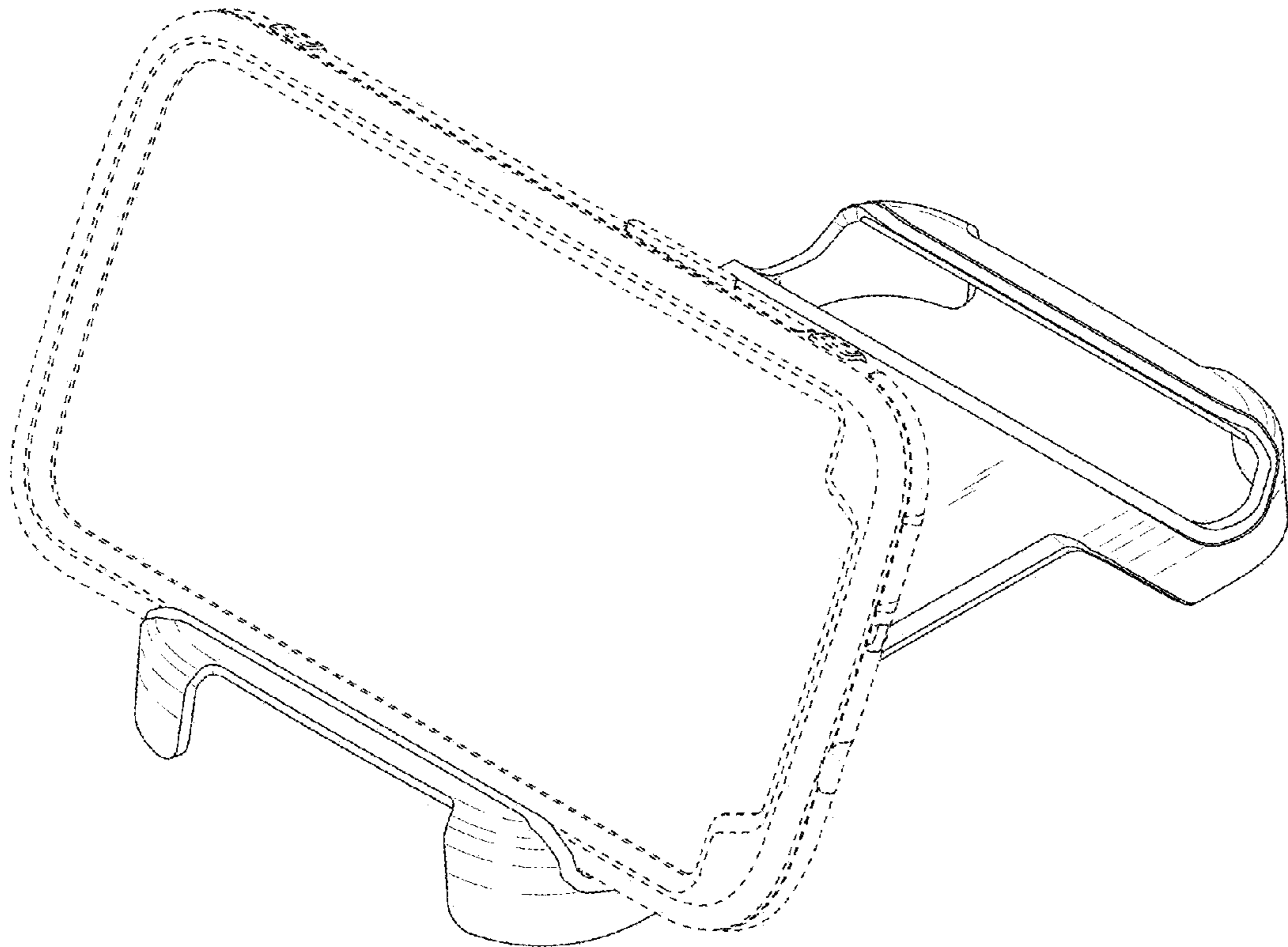


FIG. 11

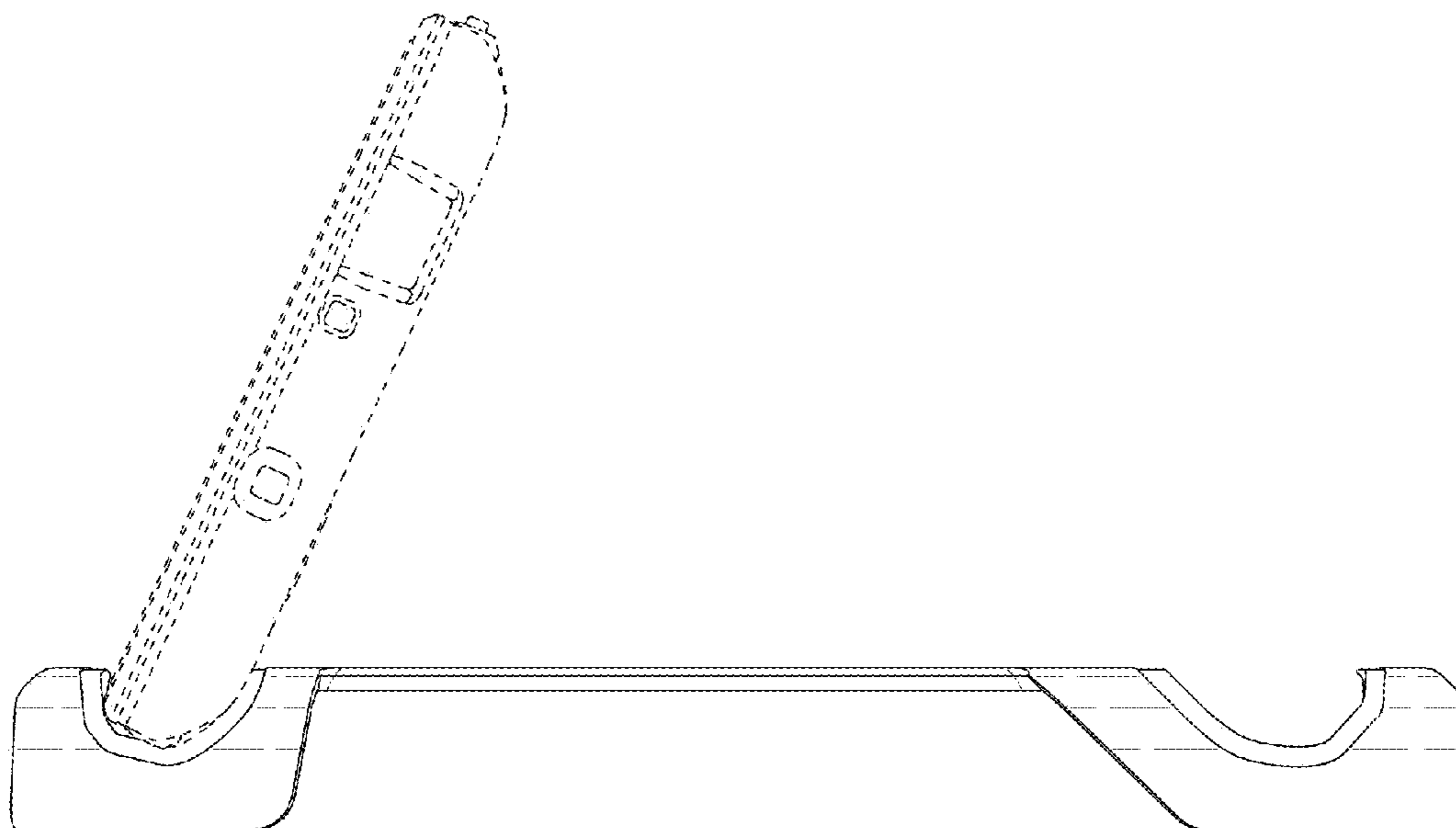


FIG. 12