



US00D725090S

(12) **United States Design Patent**
Bae et al.

(10) **Patent No.:** **US D725,090 S**
(45) **Date of Patent:** **** Mar. 24, 2015**

(54) **MOBILE PHONE**

(71) Applicant: **LG Electronics Inc.**, Seoul (KR)

(72) Inventors: **Jinwan Bae**, Seoul (KR); **Hyunggon Ryu**, Gyeonggi-do (KR)

(73) Assignee: **LG Electronics Inc.**, Seoul (KR)

(**) Term: **14 Years**

(21) Appl. No.: **29/476,190**

(22) Filed: **Dec. 12, 2013**

(30) **Foreign Application Priority Data**

Jul. 19, 2013 (KR) 30-2013-0037505

(51) **LOC (10) Cl.** **14-03**

(52) **U.S. Cl.**
USPC **D14/248**

(58) **Field of Classification Search**
CPC H04M 1/02; H04M 1/0202; H04M 1/0202-1/035; H04M 1/0235; H04M 1/0237; H04M 1/0239; H04M 2250/22
USPC D14/138 G, 138 AC, 138 AD, 138 R, D14/203.1, 203.3, 203.5, 203.7, 218, 248, D14/257, 250, 341, 441, 443, 496; D21/517, 329, 331; D13/168; D10/65, D10/78; 455/575.1, 556.1, 556.2; 379/433.01, 433.04; 361/679.3, 679.56
See application file for complete search history.

(56) **References Cited**

U.S. PATENT DOCUMENTS

- D557,239 S * 12/2007 Lee D14/138 R
- D594,859 S * 6/2009 Shi D14/248
- D603,856 S * 11/2009 Nuovo et al. D14/248
- D611,923 S * 3/2010 Hong et al. D14/138 AD
- D633,070 S * 2/2011 Tzeng D14/138 G
- D634,317 S * 3/2011 Buckle et al. D14/341
- D640,578 S * 6/2011 Aihara et al. D10/65
- D646,248 S * 10/2011 Lee D14/138 G

- D656,118 S * 3/2012 Kim et al. D14/138 G
- D664,130 S * 7/2012 Lee D14/240
- D664,518 S * 7/2012 Ryu D14/138 G
- D665,372 S * 8/2012 Park et al. D14/138 G
- D669,445 S * 10/2012 Yeon et al. D14/138 AD

(Continued)

OTHER PUBLICATIONS

LG G3 telephone, announced May 2014, [online], [site visited Dec. 19, 2014]. Available from Internet, <URL: http://www.gsmarena.com/lg_g3-6294.php>.*

(Continued)

Primary Examiner — Jeffrey D Asch

Assistant Examiner — Sanjeev Paul

(74) *Attorney, Agent, or Firm* — Morgan, Lewis & Bockius LLP

(57) **CLAIM**

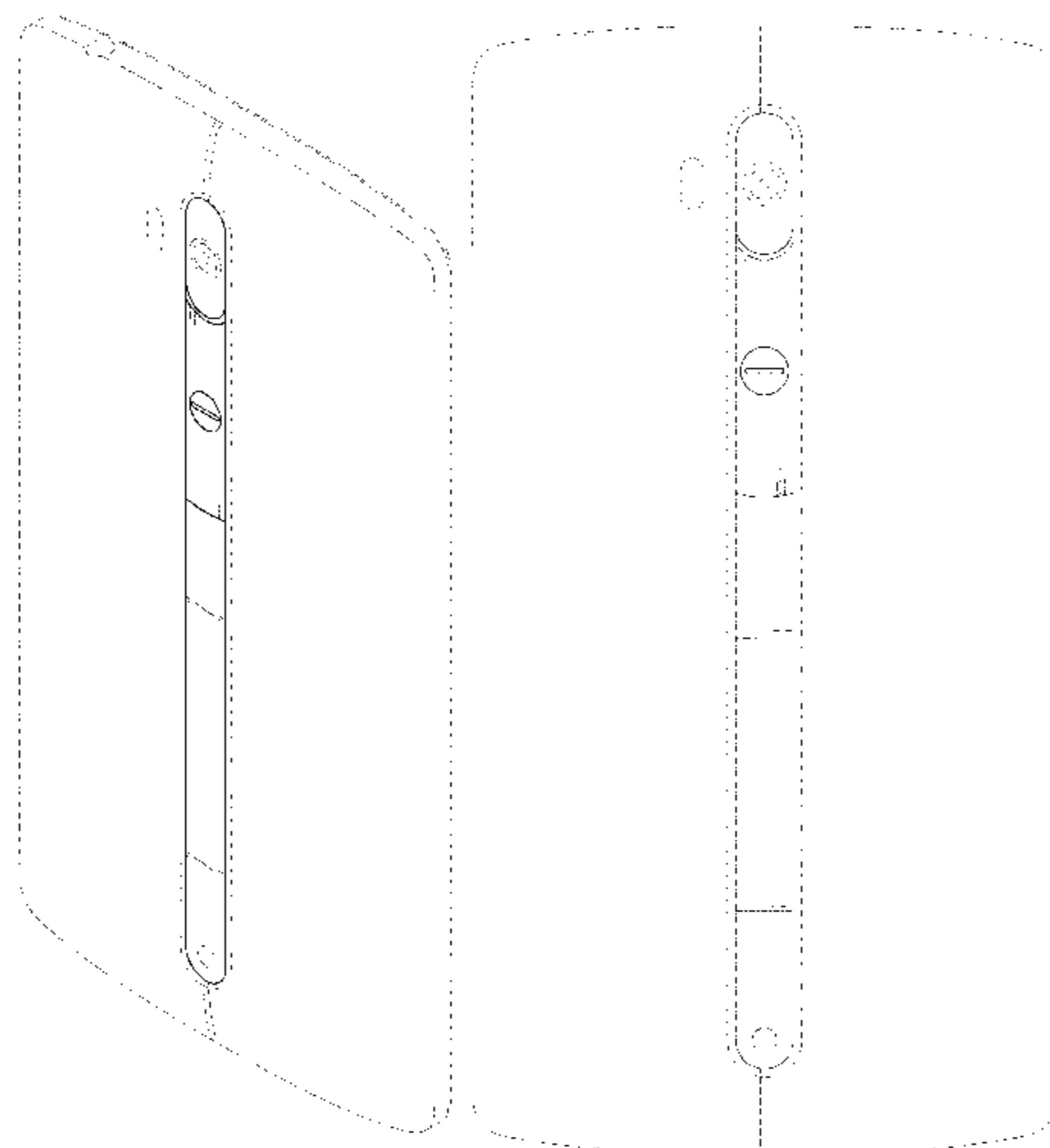
The ornamental design for a mobile phone, as shown and described.

DESCRIPTION

FIG. 1 is a rear perspective view of a mobile phone showing our new design;
FIG. 2 is a front view thereof;
FIG. 3 is a rear view thereof;
FIG. 4 is a left side view thereof;
FIG. 5 is a right side view thereof;
FIG. 6 is a top plan view thereof; and,
FIG. 7 is a bottom plan view thereof.

The broken lines shown in the figures that are within the claimed surfaces, are immediately adjacent to the shaded areas, and define unshaded regions, represent the bounds of the claim. All other broken lines, including those shown within broken line boundaries and those shown outside the claim, are directed to environment. The broken lines form no part of the claimed design. The dot-dash broken line encircling the claimed design represents the outer boundary of the claimed design and forms no part thereof.

1 Claim, 6 Drawing Sheets



(56)

References Cited

U.S. PATENT DOCUMENTS

D675,589	S *	2/2013	Han et al.	D14/138	G
D679,269	S *	4/2013	Fahlgren et al.	D14/248	
D681,056	S *	4/2013	Akana et al.	D14/496	
D694,730	S *	12/2013	Lee	D14/138	G
D702,681	S *	4/2014	Sugiyama et al.	D14/341	
D703,178	S *	4/2014	Park et al.	D14/138	G
D707,644	S *	6/2014	Asano et al.	D14/138	G
D707,645	S *	6/2014	Kim et al.	D14/138	G
D712,865	S *	9/2014	Mauritzson et al.	D14/138	G
D713,373	S *	9/2014	Hibi	D14/138	G
D717,774	S *	11/2014	Fathollahi	D14/250	
2014/0370937	A1 *	12/2014	Park et al.	455/566	

OTHER PUBLICATIONS

LG G2 telephone, announced Aug. 2014, [online], [site visited Dec. 19, 2014]. Available from Internet, <URL: http://www.gsmarena.com/lg_g2-5543.php>.*

LG Nitro HD telephone, announced Nov. 2011, [online], [site visited Dec. 19, 2014]. Available from Internet, <URL: http://www.gsmarena.com/lg_nitro_hd-4329.php>.*

LG Optimus 2X telephone, announced Dec. 2010, [online], [site visited Dec. 19, 2014]. Available from Internet, <URL: http://www.gsmarena.com/lg_optimus_2x-3598.php>.*

* cited by examiner

FIG. 1

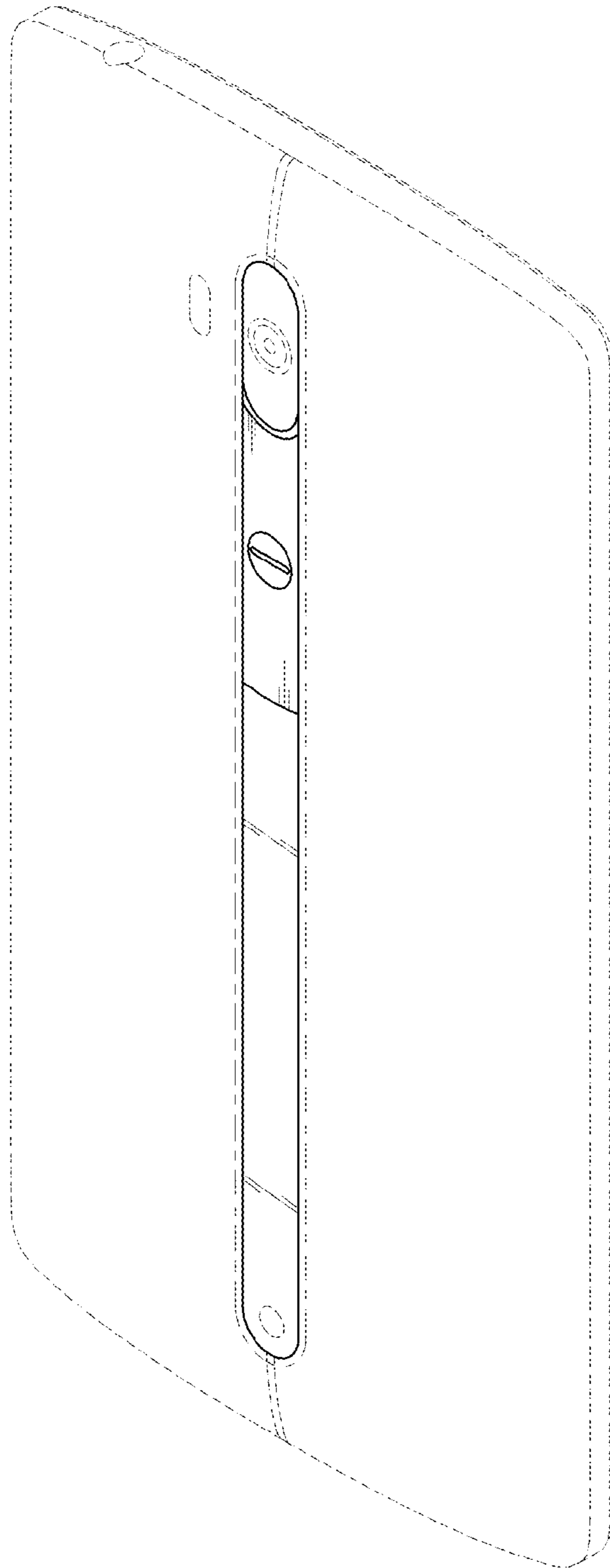


FIG. 2



FIG. 3

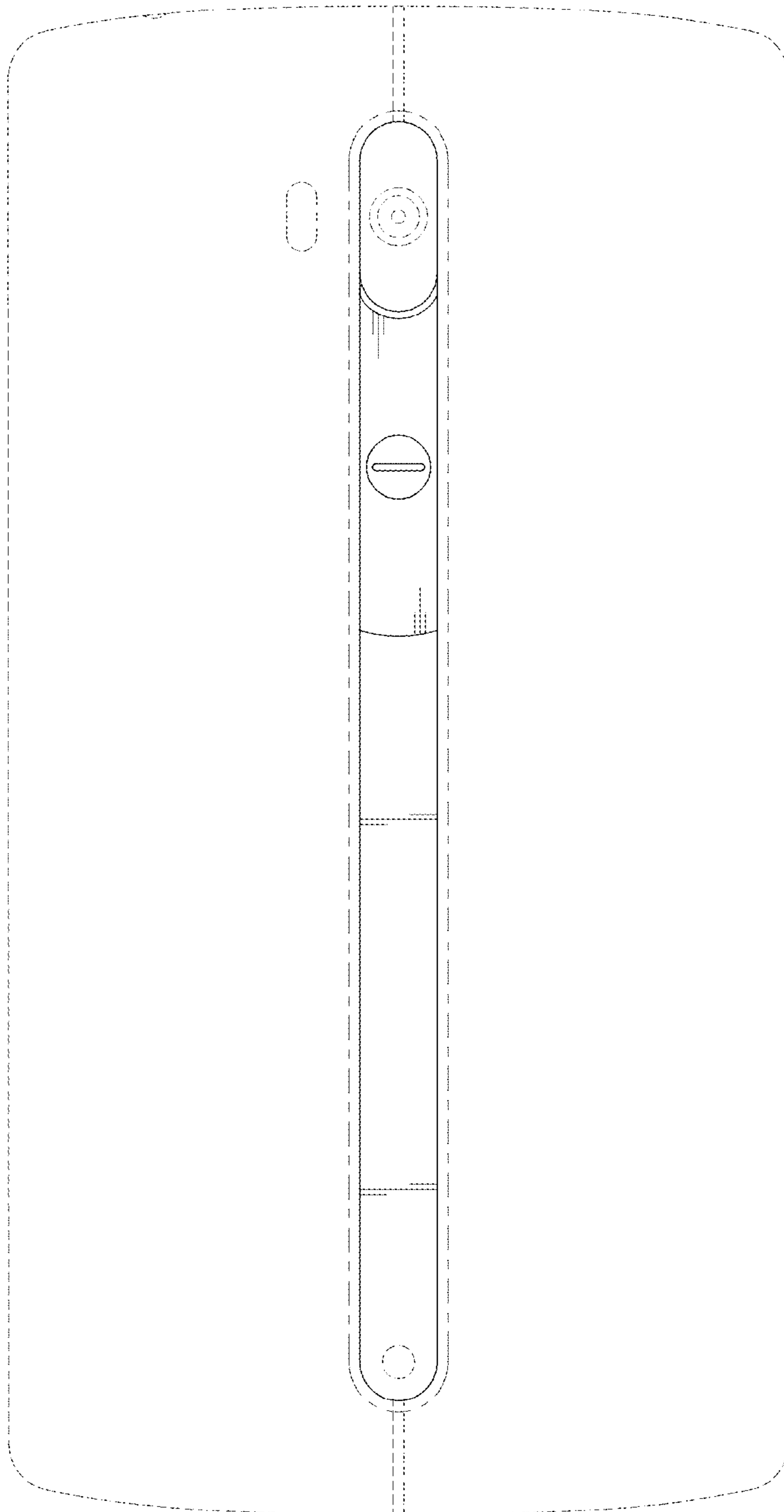


FIG. 4

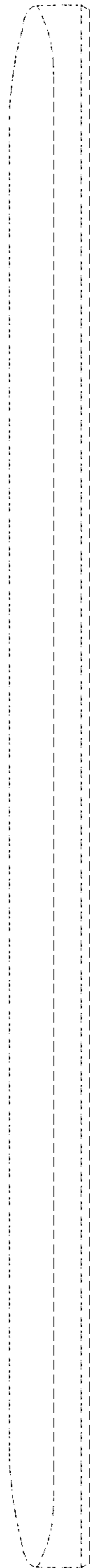


FIG. 5

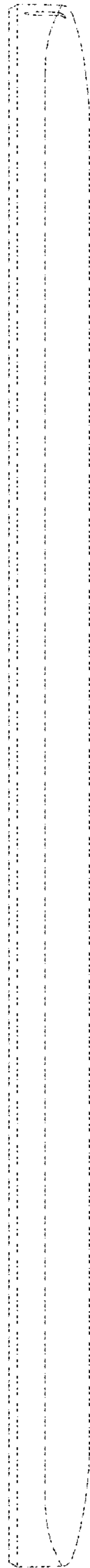


FIG. 6

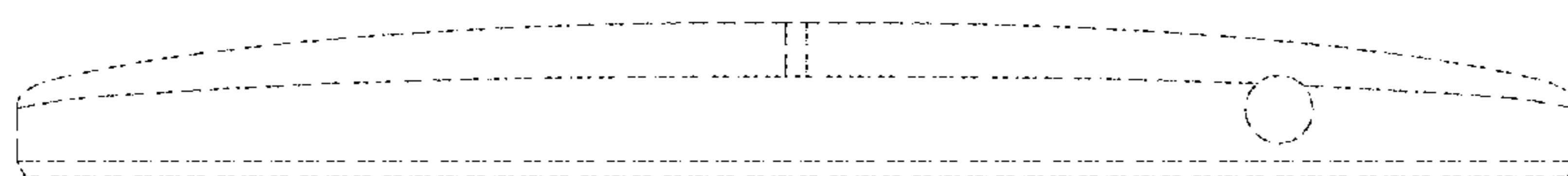


FIG. 7

