



US00D725088S

(12) **United States Design Patent**  
**Kwak et al.**

(10) **Patent No.:** **US D725,088 S**  
(45) **Date of Patent:** **\*\* Mar. 24, 2015**

(54) **WIRELESS ACCESS POINT**

(71) Applicants: **Ji-Hee Kwak**, Seoul (KR); **Bum-Ho Chun**, Seoul (KR); **So-Yoon Jeon**, Guri (KR)

(72) Inventors: **Ji-Hee Kwak**, Seoul (KR); **Bum-Ho Chun**, Seoul (KR); **So-Yoon Jeon**, Guri (KR)

(73) Assignee: **Samsung Electronics Co., Ltd.**, Suwon-si, Gyeonggi-do (KR)

(\*\*) Term: **14 Years**

(21) Appl. No.: **29/445,995**

(22) Filed: **Feb. 19, 2013**

(30) **Foreign Application Priority Data**

Nov. 19, 2012 (KR) ..... 30-2012-0055064

(51) **LOC (10) Cl.** ..... **14-03**

(52) **U.S. Cl.**  
USPC ..... **D14/240**

(58) **Field of Classification Search**  
CPC ..... A63H 5/00; A63H 13/02; A63H 29/22; A63H 33/00; B25J 5/00; B25J 19/00; G05B 15/00; G05B 15/02; G06F 1/1626; G09B 5/06; G09B 19/00; G01S 15/93; H04L 67/306; H04R 1/04  
USPC ..... 40/111; 206/9.1, 45, 534; 434/238; D3/201, 273; D10/6, 15, 22, 40, 106.1, D10/219; D13/149, 184; D14/137, 155, D14/167-168, 240, 242, 299, 301, 313, D14/348-349, 351-370, 435-436, 496; D16/201, 202; D19/20, 24, 25  
See application file for complete search history.

(56) **References Cited**

**U.S. PATENT DOCUMENTS**

D346,598 S \* 5/1994 McCay et al. .... D14/137  
D391,944 S \* 3/1998 Han ..... D14/356

D396,852 S \* 8/1998 Chao ..... D14/358  
D494,633 S \* 8/2004 Nussberger et al. .... D21/324  
D501,848 S \* 2/2005 Uehara et al. .... D14/240  
D519,918 S \* 5/2006 Wilson et al. .... D13/103  
D568,304 S \* 5/2008 Park ..... D14/240

(Continued)

**FOREIGN PATENT DOCUMENTS**

CN 302242703 \* 12/2012  
CN 302441164 \* 5/2013

(Continued)

**OTHER PUBLICATIONS**

WatchGuard® AP100 and AP200. Datasheet [online]. WatchGuard Technologies, 2013 [retrieved on Mar. 6, 2014]. Retrieved from the Internet: <URL: [https://www.uclnj.com/lib/pdf/wg\\_access\\_point\\_ds.pdf](https://www.uclnj.com/lib/pdf/wg_access_point_ds.pdf)>.\*

(Continued)

*Primary Examiner* — Deanna L Pratt

(74) *Attorney, Agent, or Firm* — Flynn, Thiel, Boutell & Tanis, P.C.

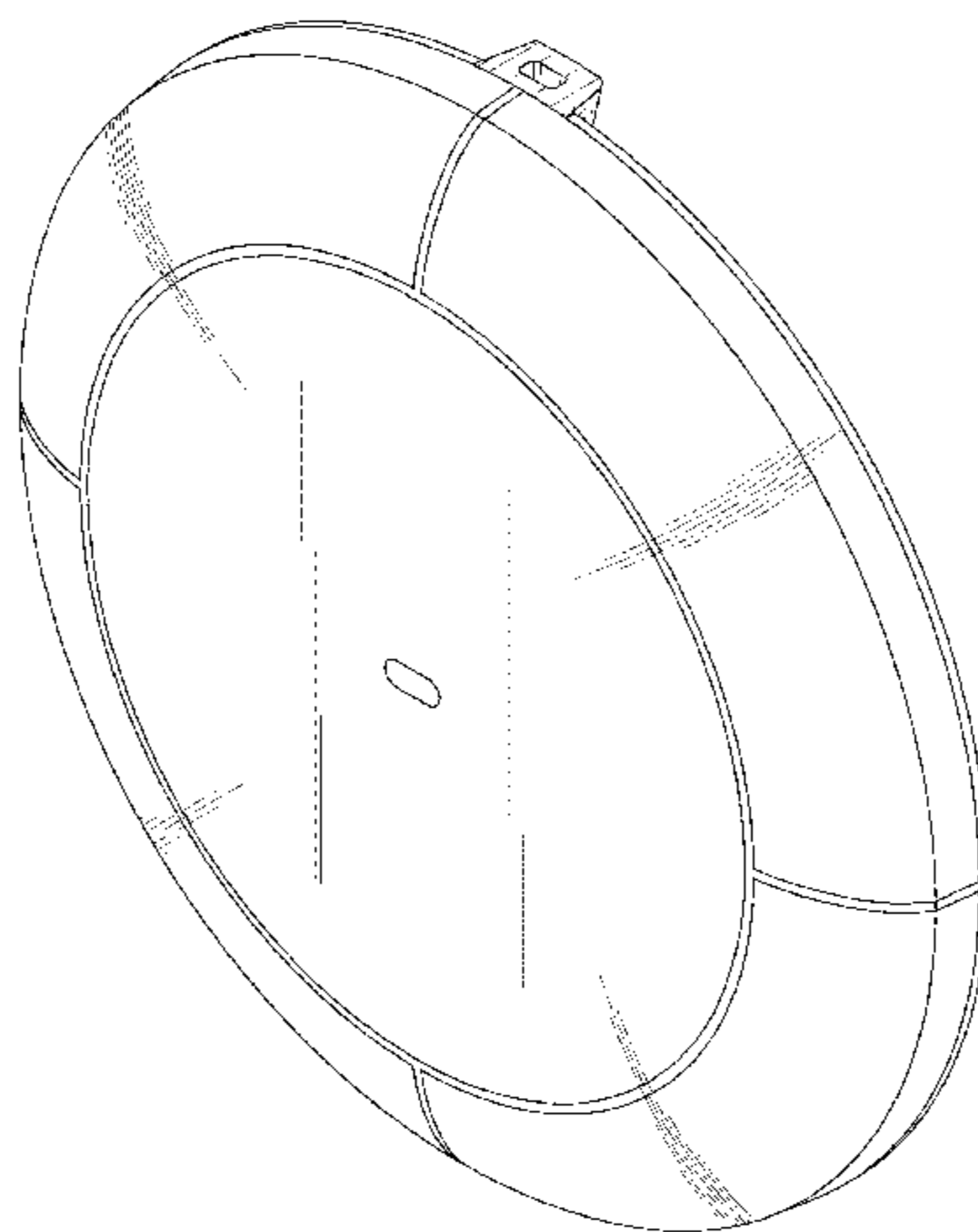
(57) **CLAIM**

The ornamental design for a wireless access point, as shown and described.

**DESCRIPTION**

FIG. 1 is a top front perspective view of a wireless access point showing our new design; FIG. 2 is a front elevational view thereof; FIG. 3 is a rear elevational view thereof; FIG. 4 is a left side elevational view thereof; FIG. 5 is a right side elevational view thereof; FIG. 6 is a top plan view thereof; and, FIG. 7 is a bottom plan view thereof. The broken lines illustrating portions of the wireless access point are for environmental purposes only and form no part of the claimed design.

**1 Claim, 5 Drawing Sheets**



(56)

References Cited

OTHER PUBLICATIONS

U.S. PATENT DOCUMENTS

D626,963 S \* 11/2010 Kim ..... D14/420  
 D640,199 S \* 6/2011 Wilson ..... D13/139.7  
 D645,818 S \* 9/2011 Guccione et al. .... D13/108  
 D648,329 S \* 11/2011 Woo et al. .... D14/225  
 D656,130 S \* 3/2012 Bailey ..... D14/227  
 D658,640 S \* 5/2012 Ivaskevicius ..... D14/242  
 D660,839 S \* 5/2012 Govindasamy et al. .... D14/358  
 D685,355 S \* 7/2013 Holleman et al. .... D14/240  
 D694,740 S \* 12/2013 Apostolakis ..... D14/240  
 D704,176 S \* 5/2014 Kwak et al. .... D14/240  
 D704,177 S \* 5/2014 Chun et al. .... D14/240  
 D704,178 S \* 5/2014 Kwak et al. .... D14/240  
 D711,345 S \* 8/2014 Liu ..... D14/140  
 2005/0245254 A1 \* 11/2005 Hall ..... 455/426.1  
 2013/0028457 A1 \* 1/2013 Yeh et al. .... 381/334

FOREIGN PATENT DOCUMENTS

EP 001352769-0001 \* 12/2012  
 EP 001364814-0001 \* 4/2013

Tenda 300 Mbps Wireless Access Point POE—TE-W301A [online]. Times Internet Limited, 2014 [retrieved on Mar. 6, 2014]. Retrieved from the Internet: <URL: [http://shopping.indiatimes.com/computers/routers-access-points/tenda-300-mbps-wirelessaccess-point-poe-te-w301a/40141/p\\_B2257663](http://shopping.indiatimes.com/computers/routers-access-points/tenda-300-mbps-wirelessaccess-point-poe-te-w301a/40141/p_B2257663)>.\*  
 TRENDnet Ships High Performance Wireless PoE Access Point [online]. www.techpowerup.com, 2014 [retrieved on Mar. 6, 2014]. Retrieved from the Internet: <URL: <http://www.techpowerup.com/194454/trendnet-ships-high-performance-wireless-poe-access-point.html>>.\*  
 U.S. Appl. No. 29/437,209, Applicant: Ji-Hee Kwak et al., filed Nov. 14, 2012 entitled Wireless Access Point.  
 U.S. Appl. No. 29/437,346, Applicant: Bum-Ho Chun et al., filed Nov. 15, 2012 entitled Wireless Access Point.  
 U.S. Appl. No. 29/437,347, Applicant: Ji-Hee Kwak et al., filed Dec. 20, 2012 entitled Wireless Access Point.

\* cited by examiner

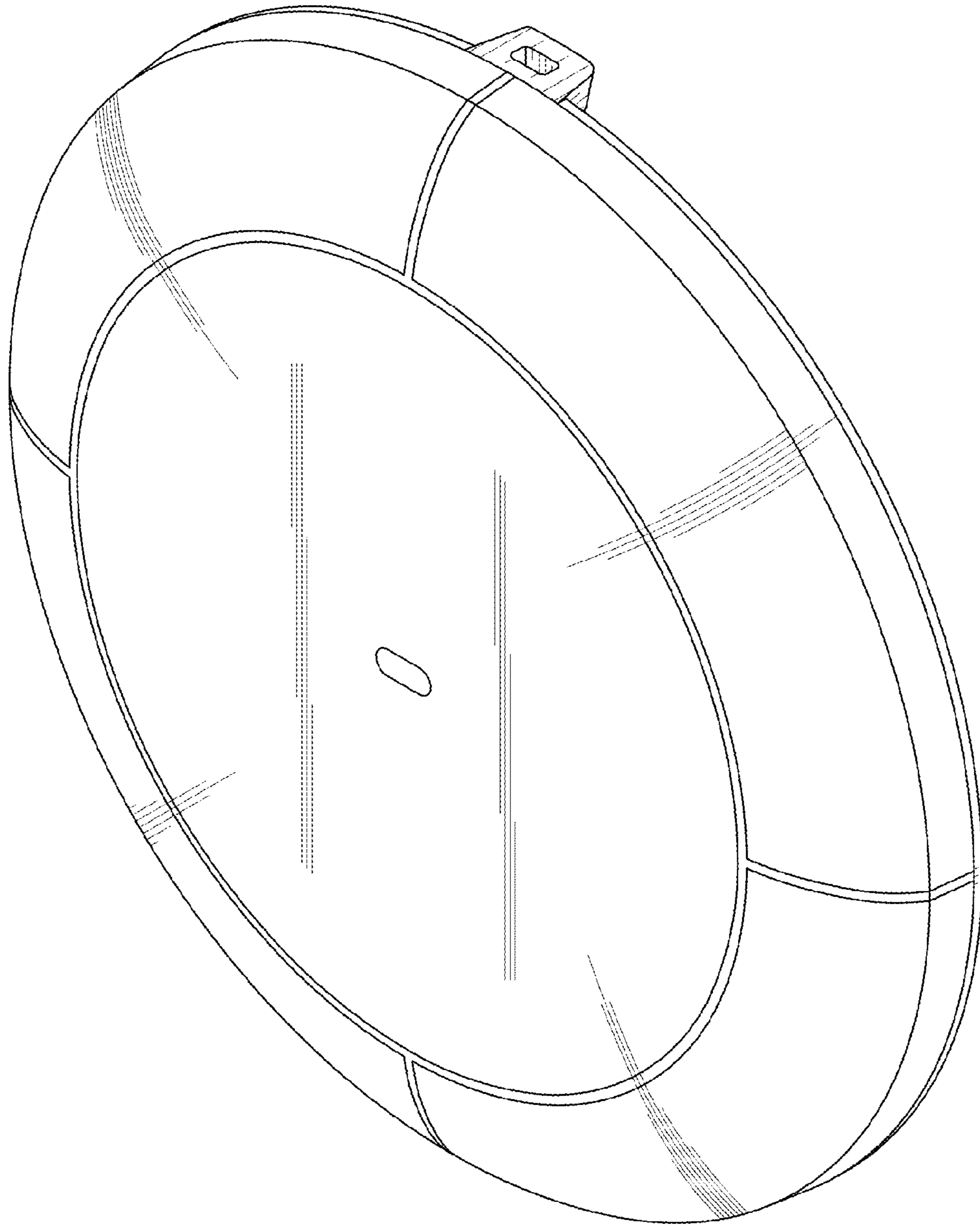


FIG. 1

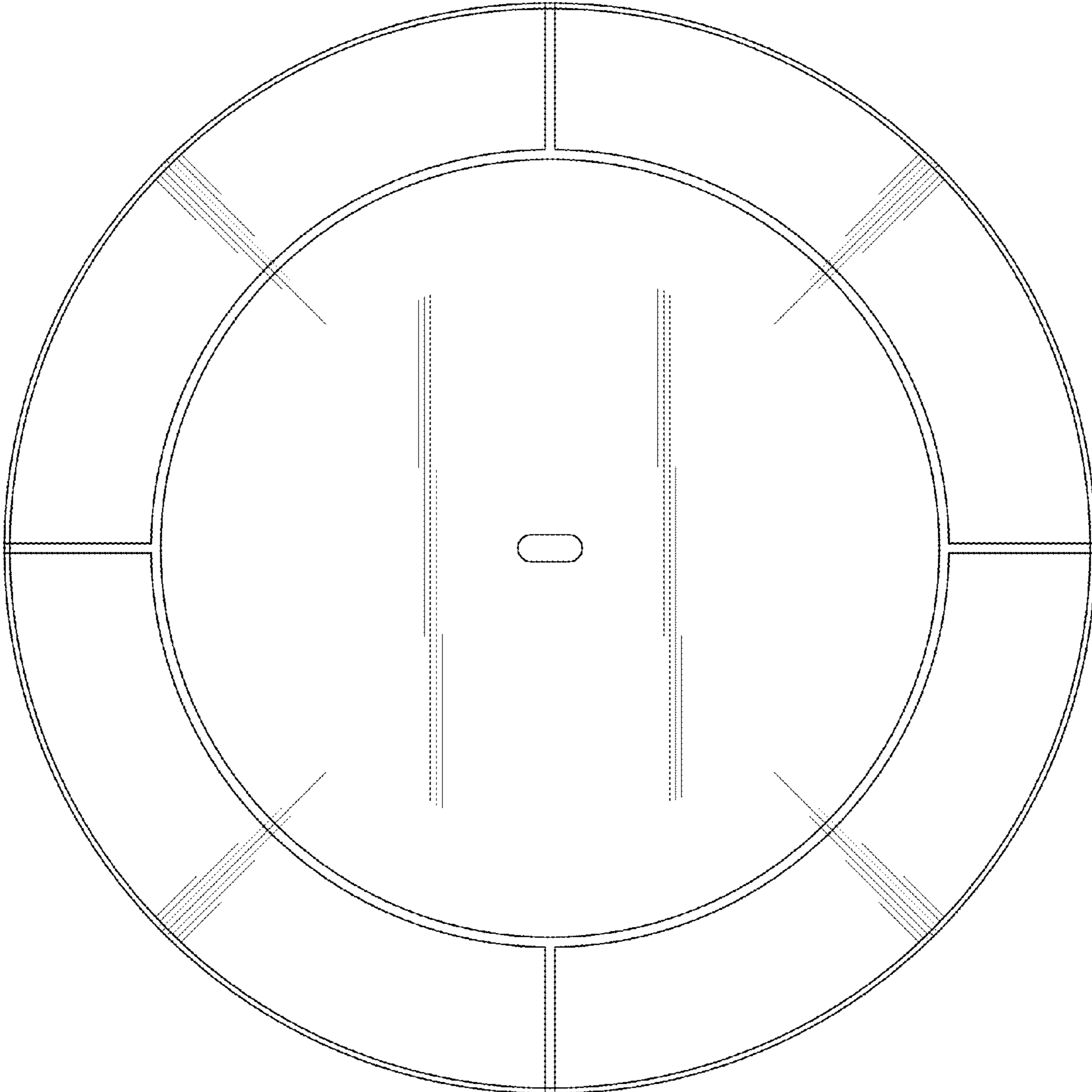


FIG. 2

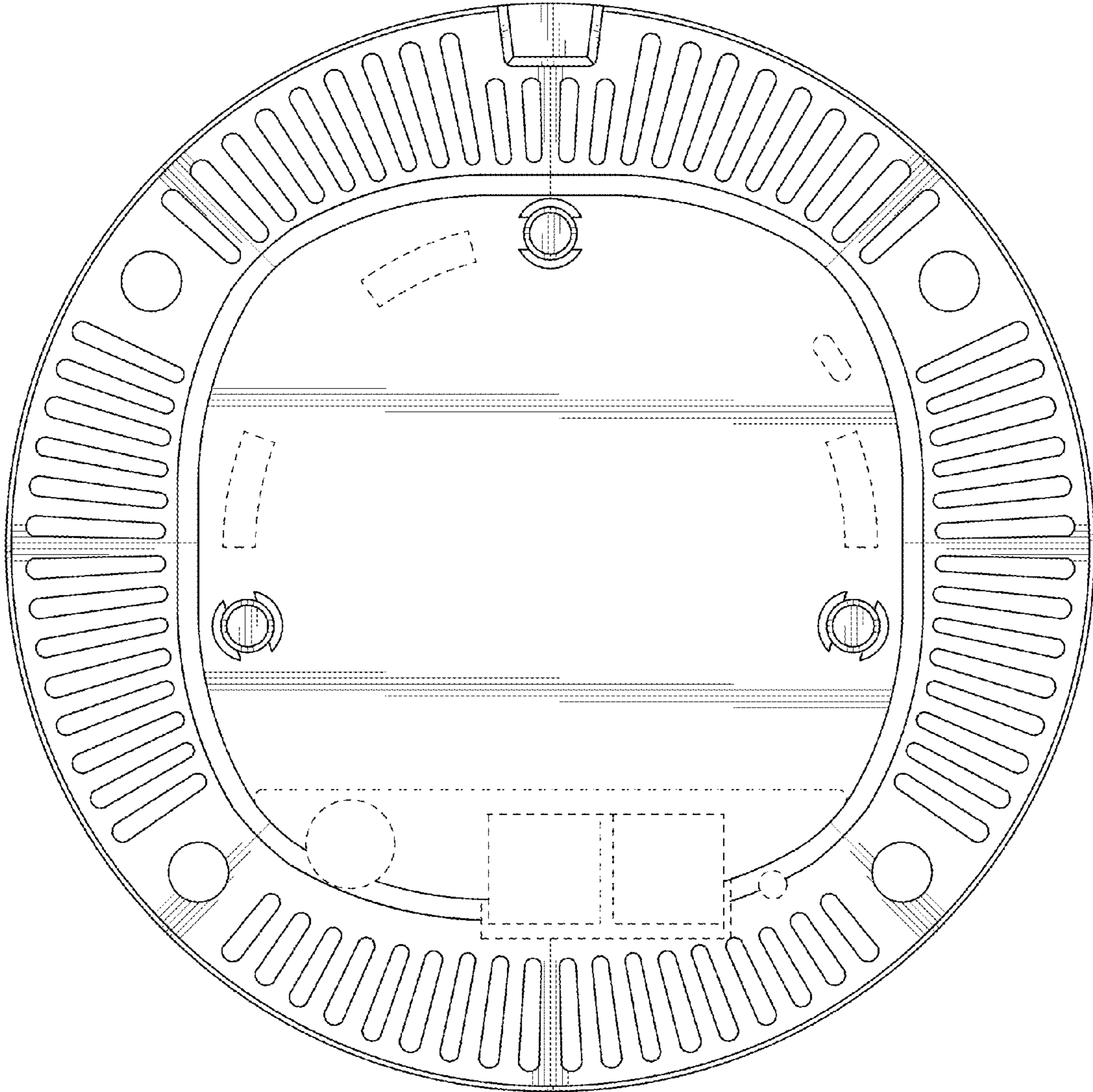


FIG. 3

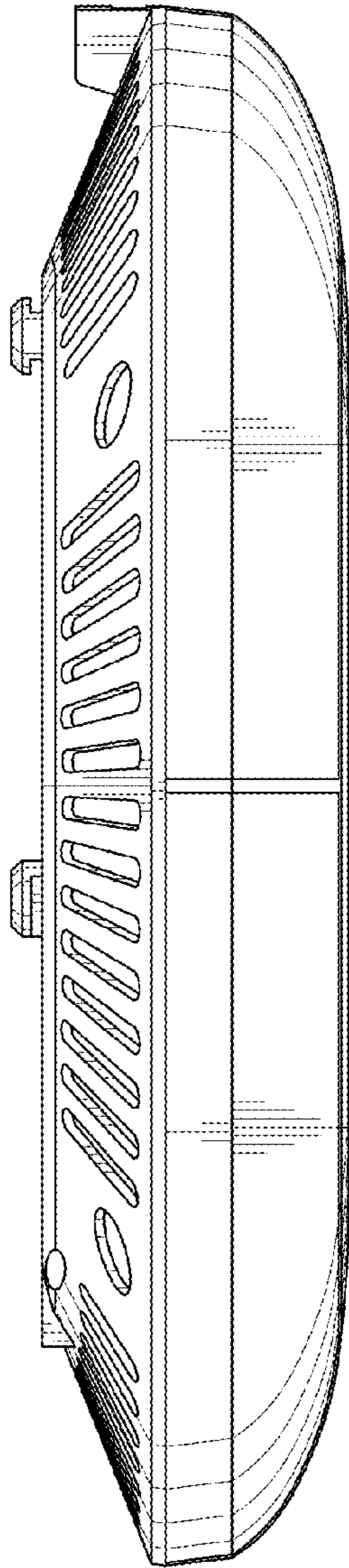


FIG. 4

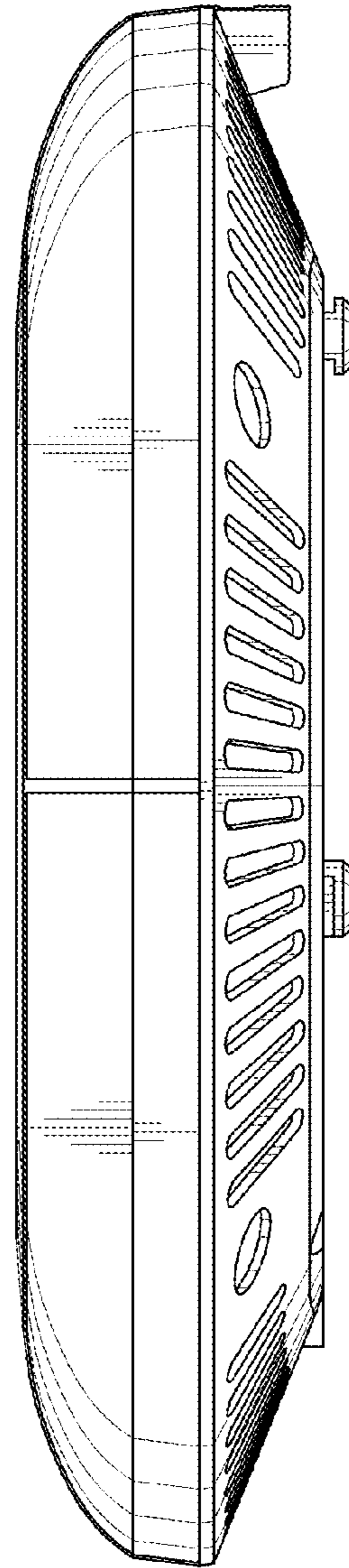


FIG. 5

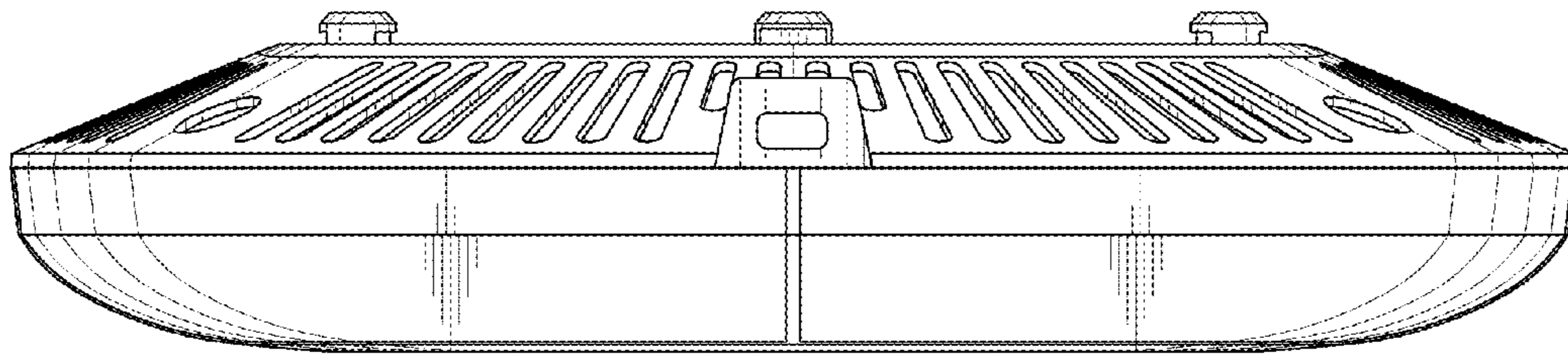


FIG. 6

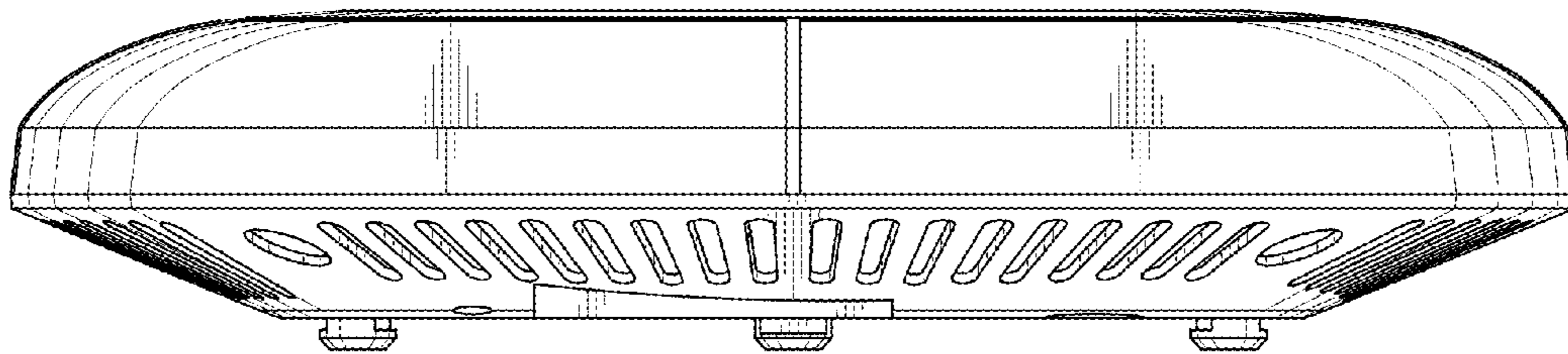


FIG. 7