

US00D725087S

(12) **United States Design Patent**
Kim et al.

(10) **Patent No.:** **US D725,087 S**
(45) **Date of Patent:** **** Mar. 24, 2015**

(54) **STAND FOR TV RECEIVER**
(71) Applicant: **Samsung Electronics Co., Ltd.**,
Suwon-si (KR)
(72) Inventors: **Taehun Kim**, Seoul (KR); **Chaejoo Son**,
Seoul (KR)
(73) Assignee: **Samsung Electronics Co., Ltd.**,
Suwon-si (KR)

D625,301 S * 10/2010 Kasuga et al. D14/239
D652,396 S * 1/2012 Shimizu et al. D14/126
D660,293 S * 5/2012 Itou et al. D14/239
D661,672 S * 6/2012 Kim D14/126
D679,268 S * 4/2013 Won et al. D14/239
D683,709 S * 6/2013 Choi D14/126
D689,454 S * 9/2013 Shih D14/126
D691,976 S * 10/2013 Hotta et al. D14/126
D694,209 S * 11/2013 Cho et al. D14/126
D699,872 S * 2/2014 Karpowicz et al. D26/6

* cited by examiner

(**) Term: **14 Years**
(21) Appl. No.: **29/493,433**
(22) Filed: **Jun. 10, 2014**

Primary Examiner — Randall Gholson
(74) *Attorney, Agent, or Firm* — NSIP Law

(30) **Foreign Application Priority Data**
Jan. 2, 2014 (KR) 30-2014-0000248
(51) **LOC (10) Cl.** **14-03**
(52) **U.S. Cl.**
USPC **D14/239**
(58) **Field of Classification Search**
USPC D14/125–129, 239, 371–375, 336, 337;
341/12; 345/104, 156, 168, 173;
348/180, 184, 325, 739; 349/1, 2, 11,
349/62; 361/679.05–679.07, 679.21;
D6/300, 308
See application file for complete search history.

(57) **CLAIM**
We claim the ornamental design for a stand for TV receiver, as shown and described.

(56) **References Cited**
U.S. PATENT DOCUMENTS
D547,755 S * 7/2007 Wang et al. D14/239
D616,424 S * 5/2010 Li D14/239
D624,062 S * 9/2010 Kasuga et al. D14/239

DESCRIPTION
FIG. 1 is a front perspective view of a stand for TV receiver showing our new design;
FIG. 2 is a front view thereof;
FIG. 3 is a rear view thereof;
FIG. 4 is a left-side view thereof;
FIG. 5 is a right-side view thereof;
FIG. 6 is a top view thereof;
FIG. 7 is a bottom view thereof;
FIG. 8 is a rear perspective view thereof; and,
FIG. 9 is another front perspective view, in which a TV receiver in broken lines is provided to illustrate an example environment.
The broken line showing of the TV receiver in FIG. 9 is for environmental purposes only and forms no part of the claimed design.

1 Claim, 9 Drawing Sheets

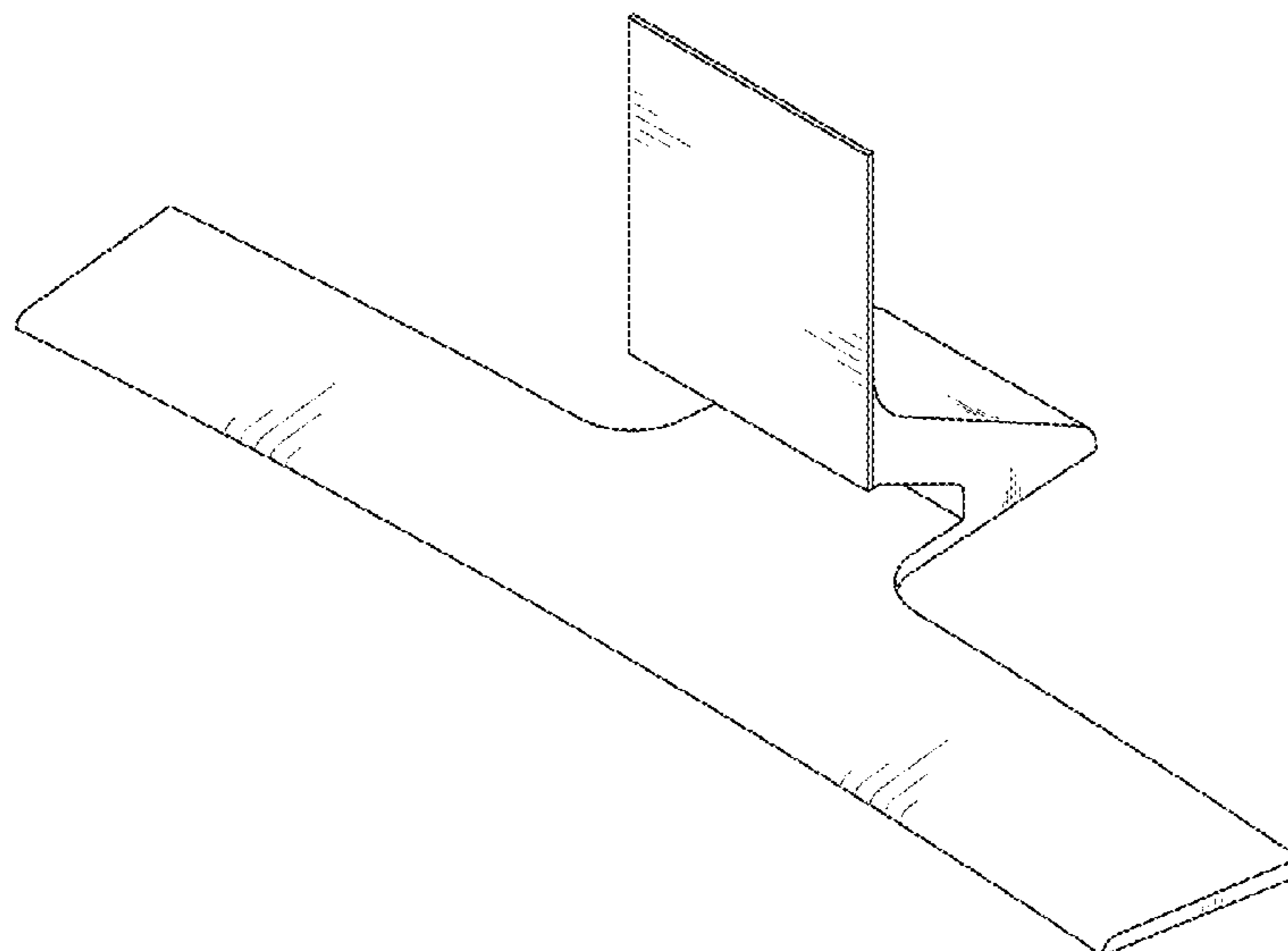


FIG. 1

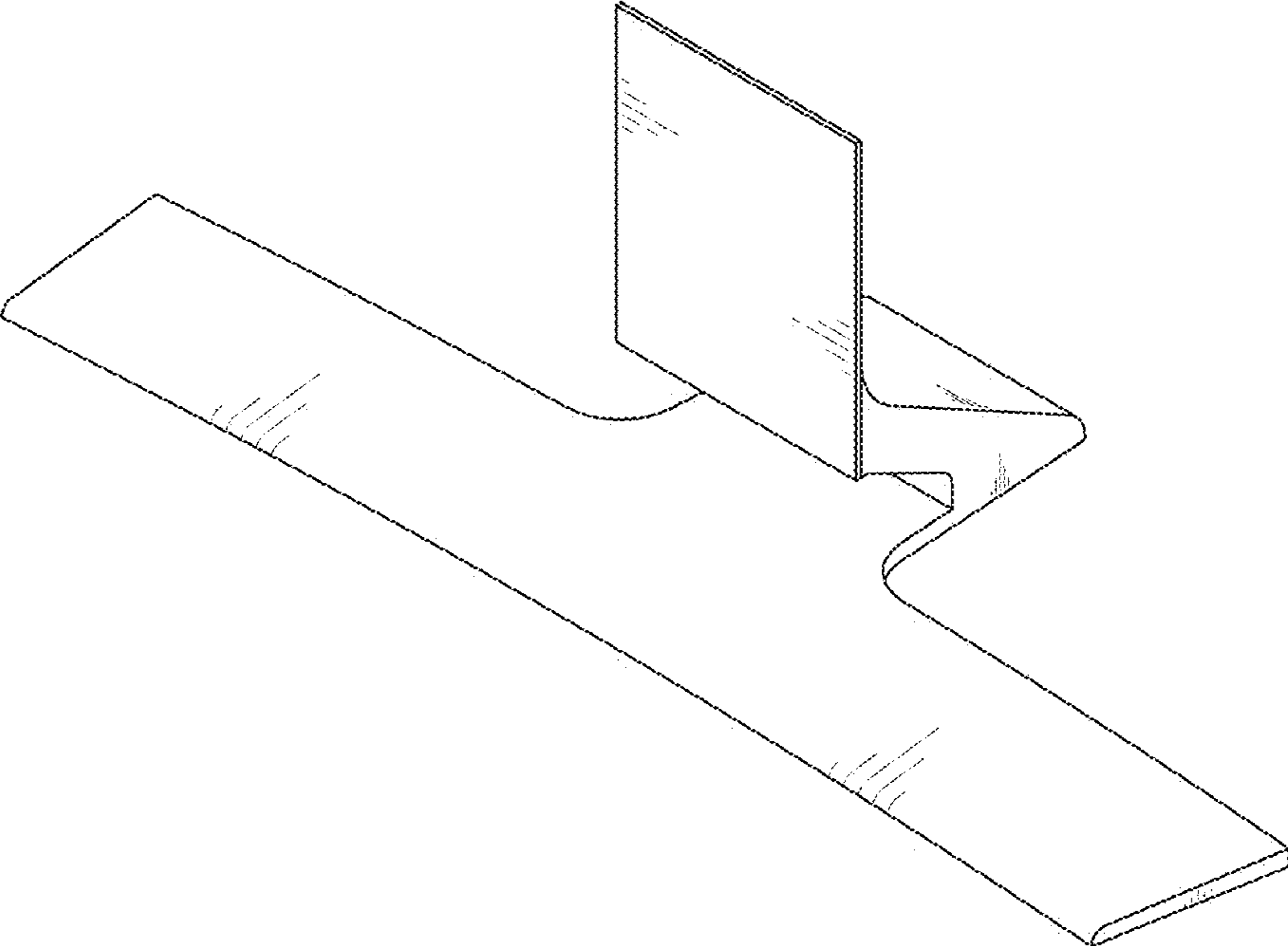


FIG. 2

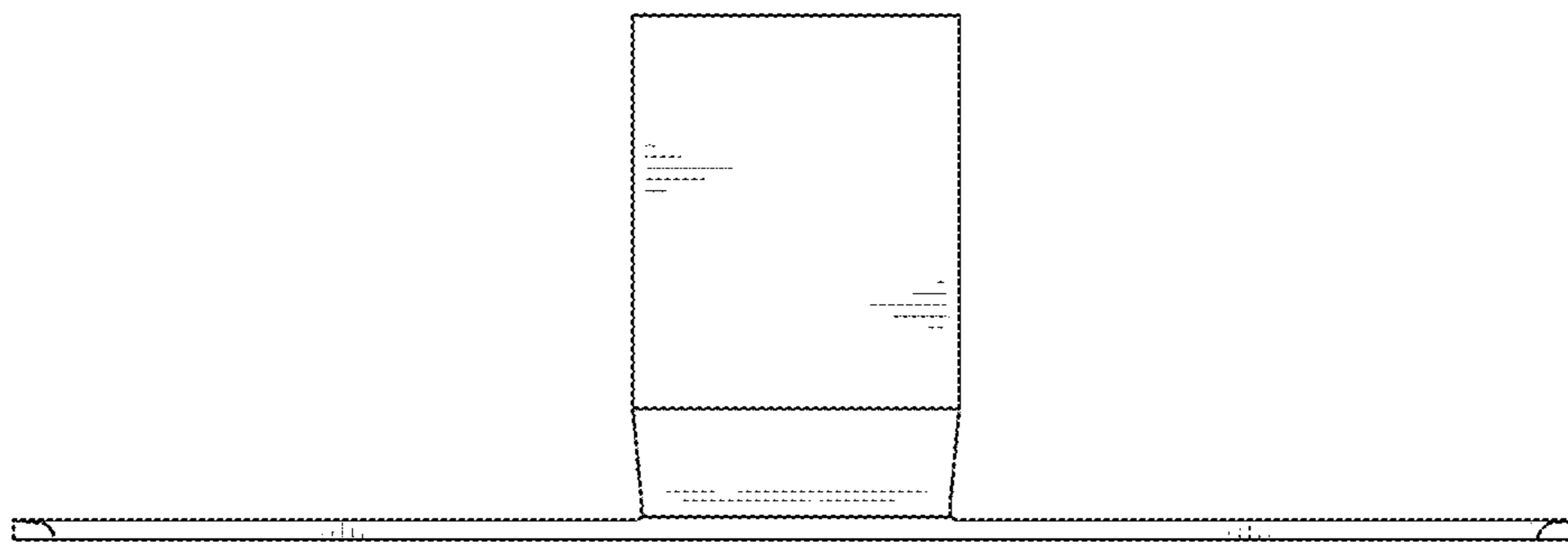


FIG. 3

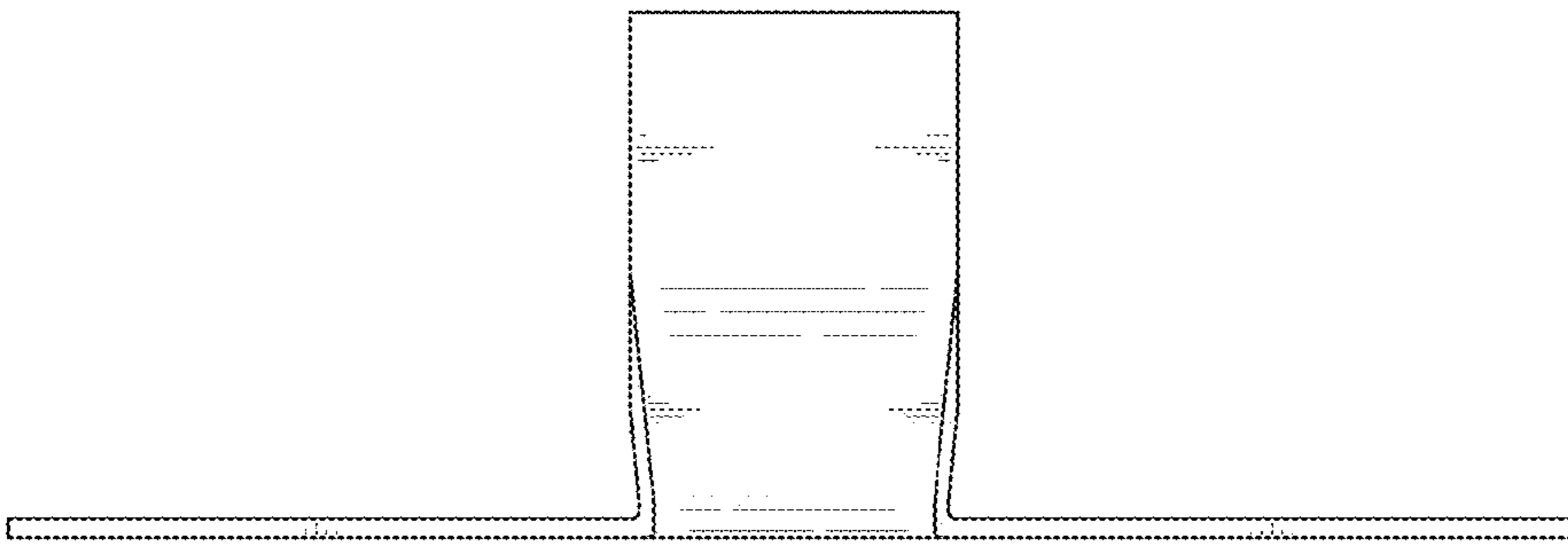


FIG. 4

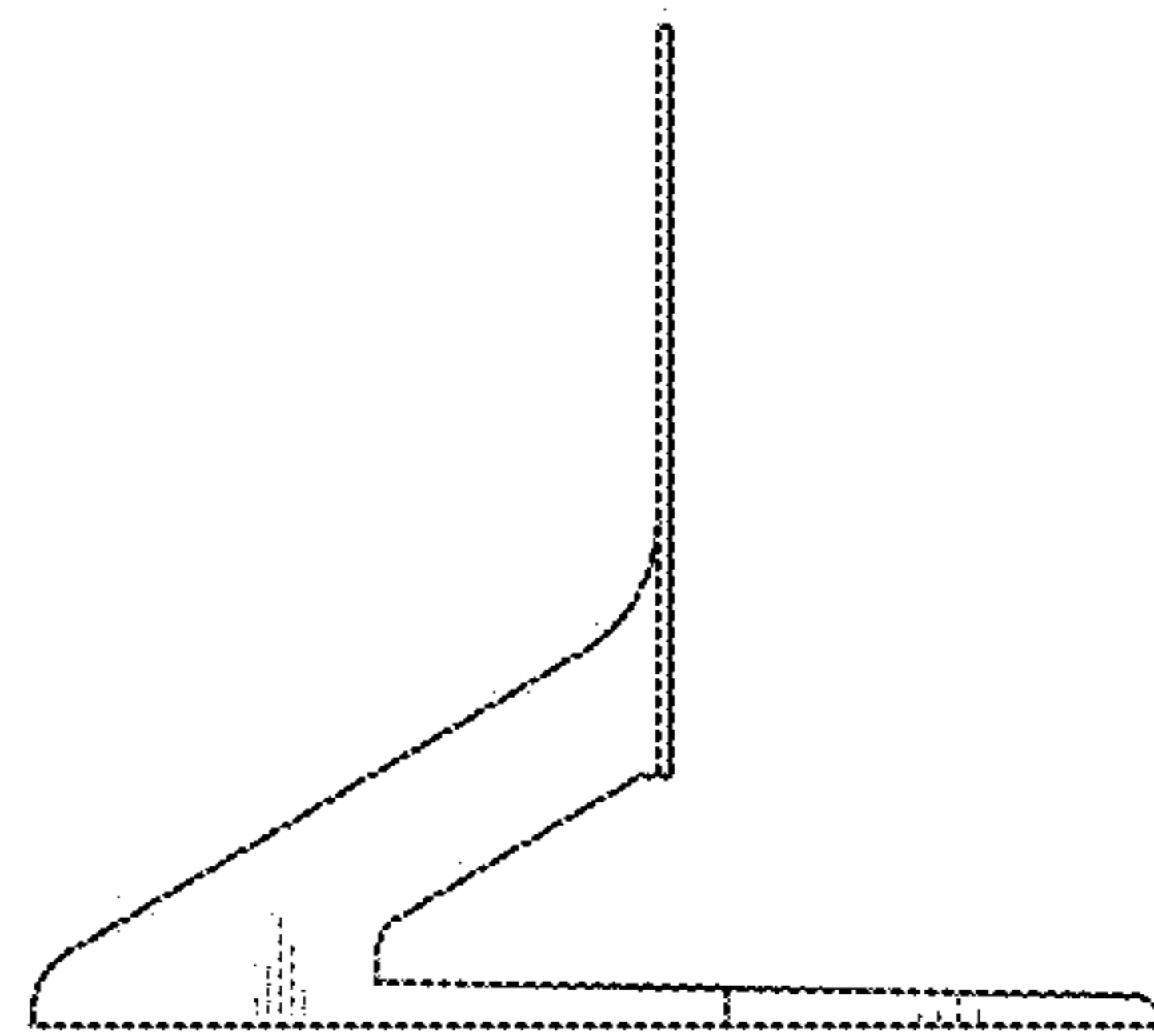


FIG. 5

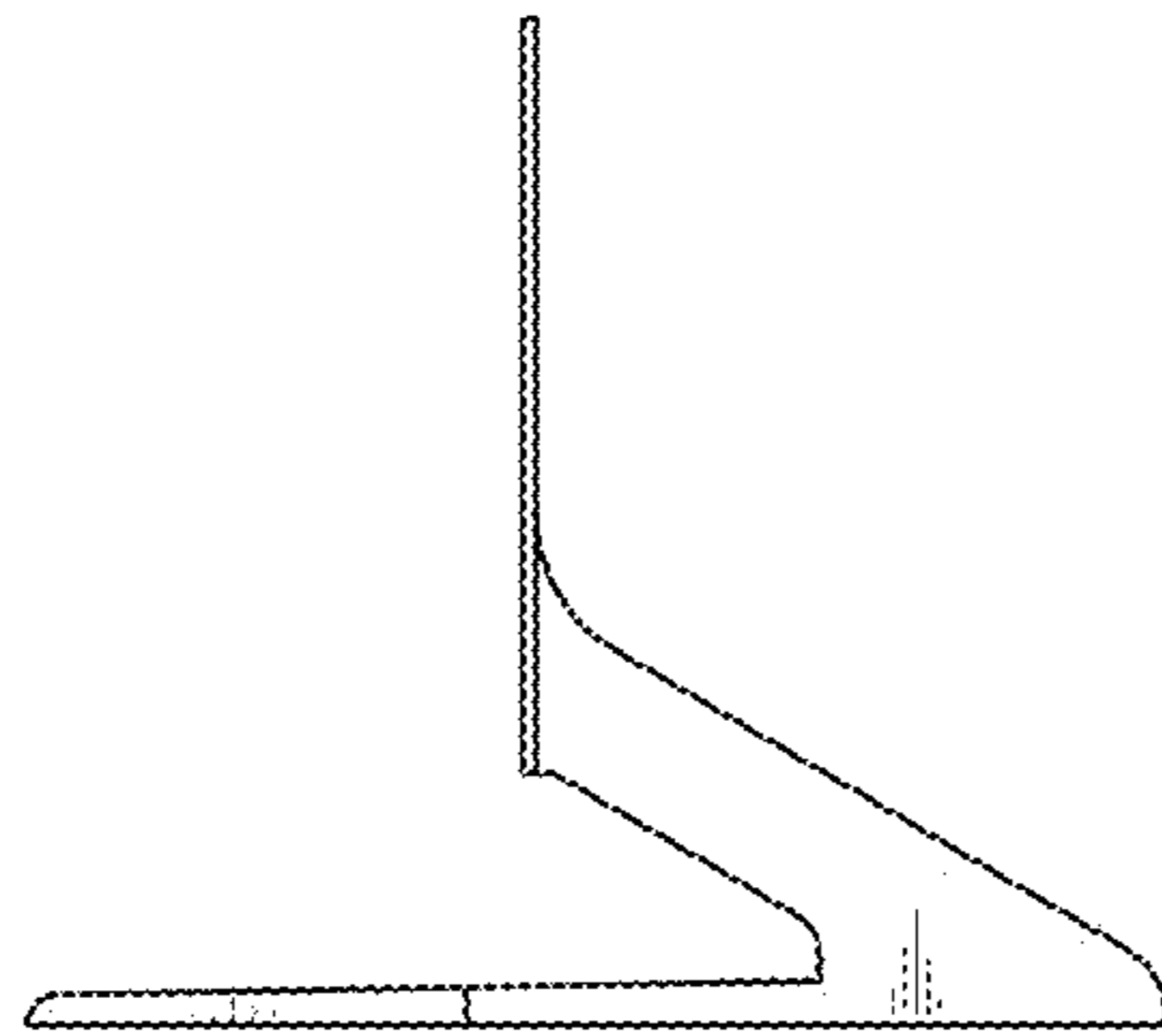


FIG. 6

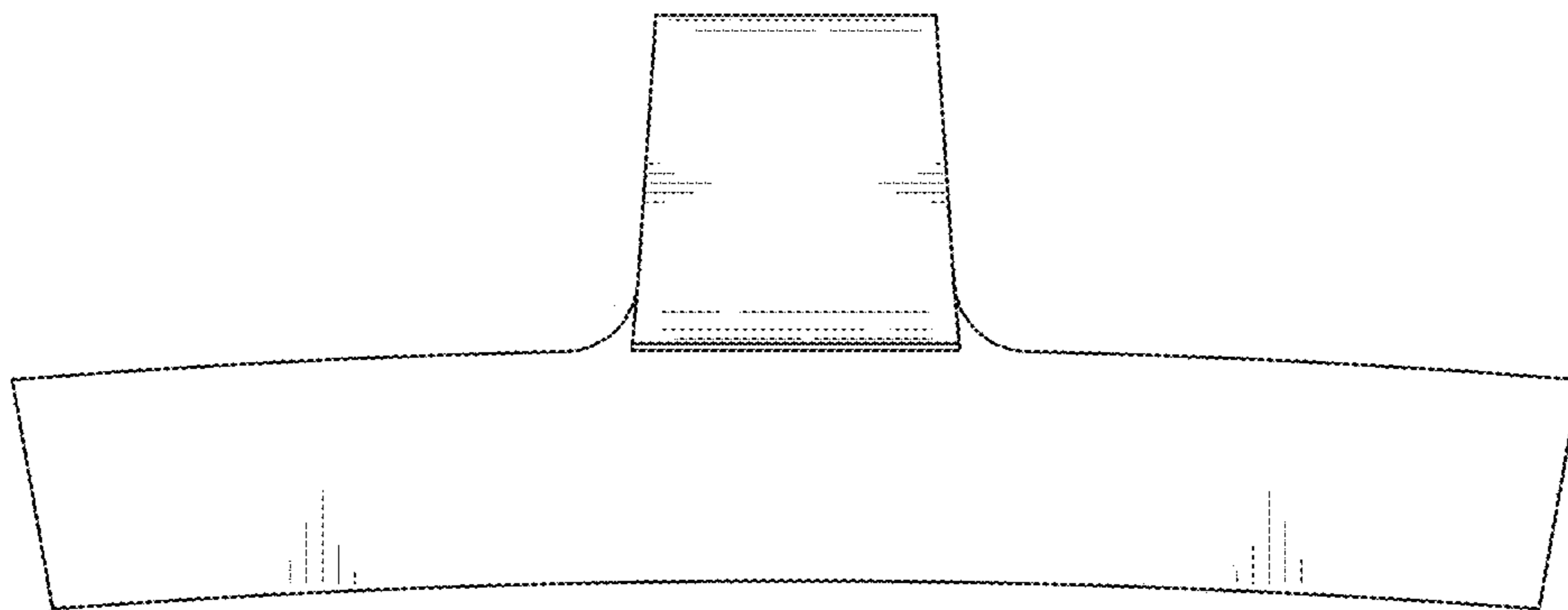


FIG. 7

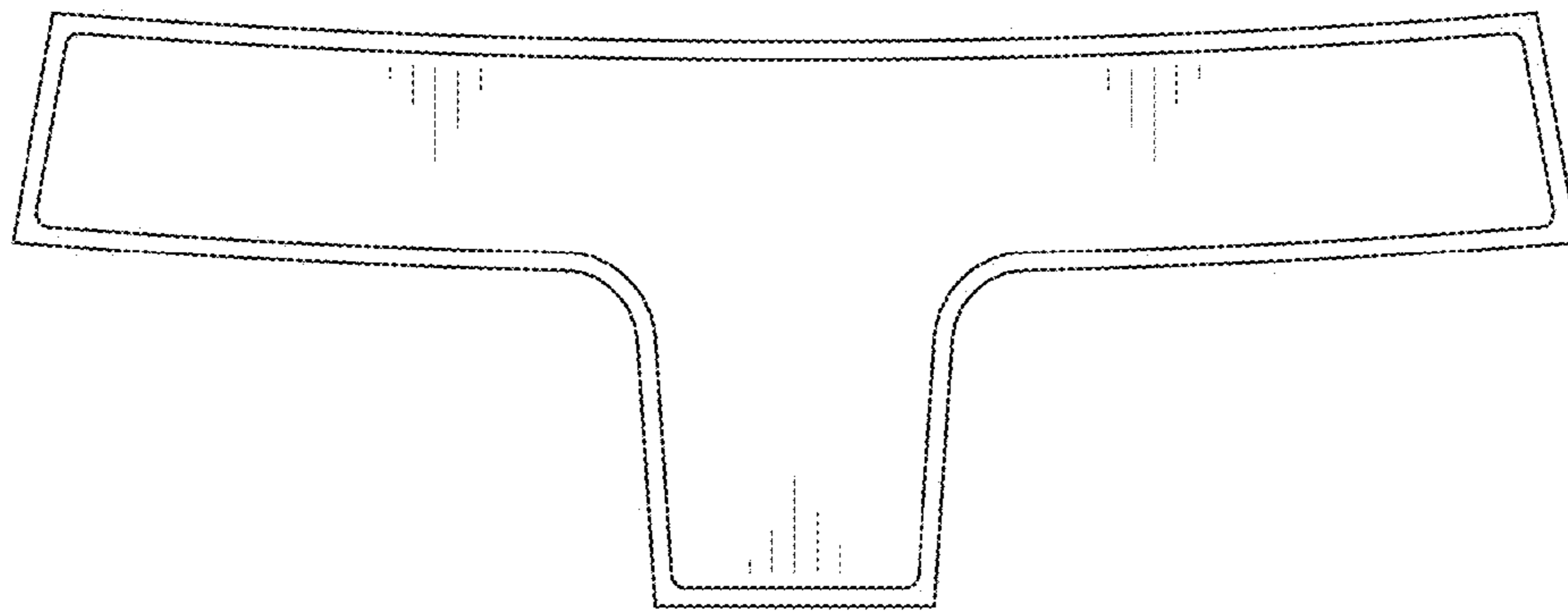


FIG. 8

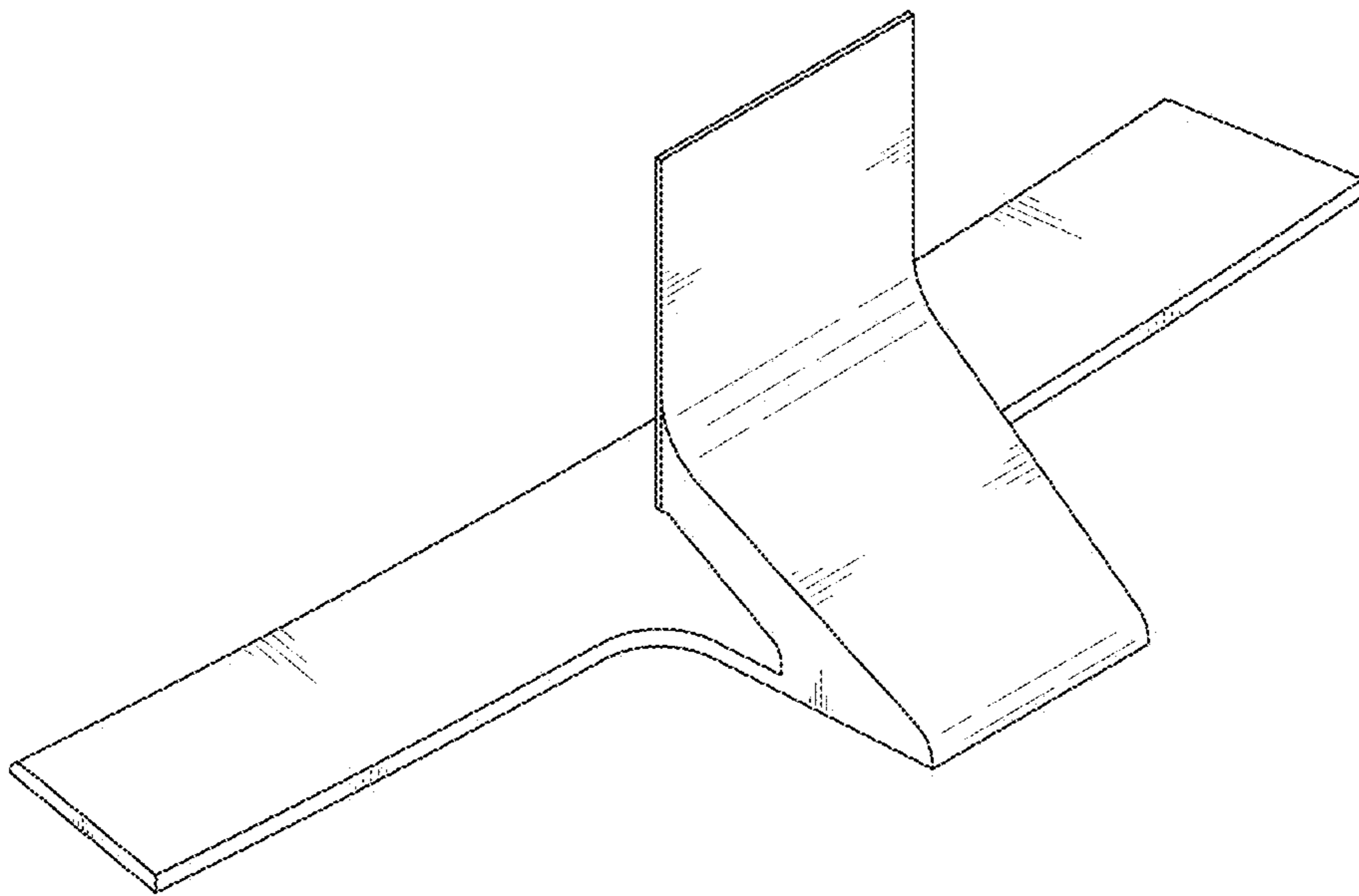


FIG. 9

