



US00D725086S

(12) **United States Design Patent**
Giczy

(10) **Patent No.:** **US D725,086 S**
(45) **Date of Patent:** **** Mar. 24, 2015**

- (54) **TABLETOP MICROPHONE**
- (71) Applicant: **AKG Acoustics GmbH**, Vienna (AT)
- (72) Inventor: **Thomas Giczy**, Eichgraben (AT)
- (73) Assignee: **AKG Acoustics GmbH**, Vienna (AT)
- (**) Term: **14 Years**
- (21) Appl. No.: **29/479,647**
- (22) Filed: **Jan. 17, 2014**
- (51) **LOC (10) Cl.** **14-01**
- (52) **U.S. Cl.**
USPC **D14/227; D14/149**
- (58) **Field of Classification Search**
CPC **H04R 1/08**
USPC **D14/223–229, 137, 149, 155, 159, 167, 168, 191, 192, 194, 203.3, 217, 242, 251, 253, 431, 432, 434, 496, 402–409; 381/26, 87, 168, 169, 161, 381/336, 361, 363, 385, 386; 455/561, 455/569.1, 575.1**

See application file for complete search history.

(56) **References Cited**
U.S. PATENT DOCUMENTS

D185,797 S *	8/1959	Loge	D14/227
D185,798 S *	8/1959	Durbin	D14/159
3,005,905 A *	10/1961	Libson	362/86
D197,610 S *	3/1964	Miller	D14/227
D264,231 S *	5/1982	Tsuyuki	D21/329
D278,054 S *	3/1985	Vajdaffy	D14/159
D280,097 S *	8/1985	Yamagata et al.	D14/159
D314,962 S *	2/1991	Hilton	D14/185
D335,875 S *	5/1993	Chen	D14/407
D390,553 S *	2/1998	Beaumont et al.	D14/137
D397,120 S *	8/1998	Liou	D14/229
5,799,096 A *	8/1998	Liao	381/361
5,805,709 A *	9/1998	Liou	381/361
D418,512 S *	1/2000	Lin et al.	D14/227
D442,166 S *	5/2001	Schmidt	D14/227

D448,363 S *	9/2001	Amae et al.	D14/227
D504,894 S *	5/2005	Soto	D14/435
7,103,392 B2 *	9/2006	Fletcher et al.	455/569.1
D553,607 S *	10/2007	Miyamoto et al.	D14/159
D567,807 S *	4/2008	Bodley et al.	D14/225
D575,277 S *	8/2008	Gaarde et al.	D14/223
D580,414 S *	11/2008	Chapman	D14/225
D609,215 S *	2/2010	Hussey et al.	D14/214
D621,818 S *	8/2010	Johnson	D14/225
D622,708 S *	8/2010	Gentner et al.	D14/225
D624,905 S *	10/2010	Lee	D14/229
D630,192 S *	1/2011	Heppener	D14/226
D656,133 S *	3/2012	Wang et al.	D14/240
D660,827 S *	5/2012	Sakata	D14/225
D679,676 S *	4/2013	Sharp	D14/159
D685,355 S *	7/2013	Holleman et al.	D14/240
D686,195 S *	7/2013	Hong et al.	D14/218
D686,572 S *	7/2013	Loya	D13/124
D687,417 S *	8/2013	Koss et al.	D14/223
D692,895 S *	11/2013	Iwata et al.	D14/434
D703,617 S *	4/2014	Janky et al.	D13/154
2002/0048384 A1 *	4/2002	Chen	381/363
2005/0272476 A1 *	12/2005	Eaton et al.	455/569.1

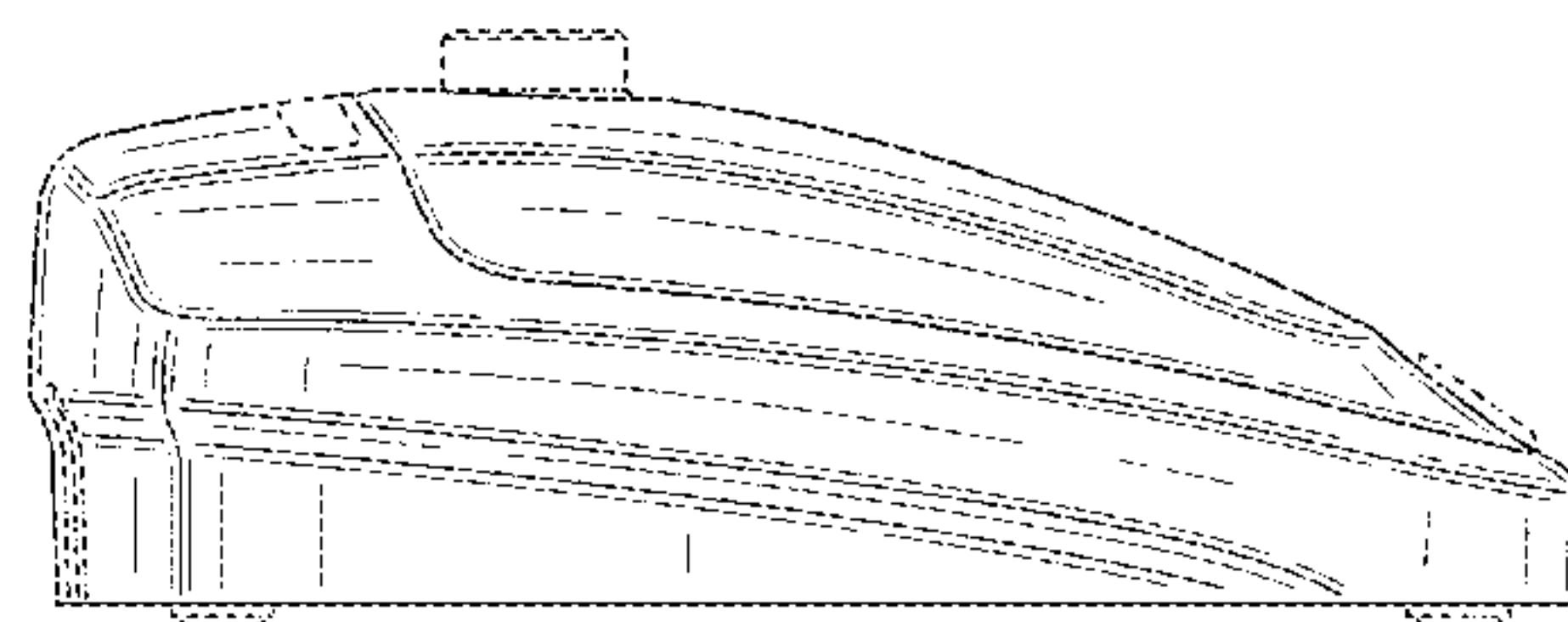
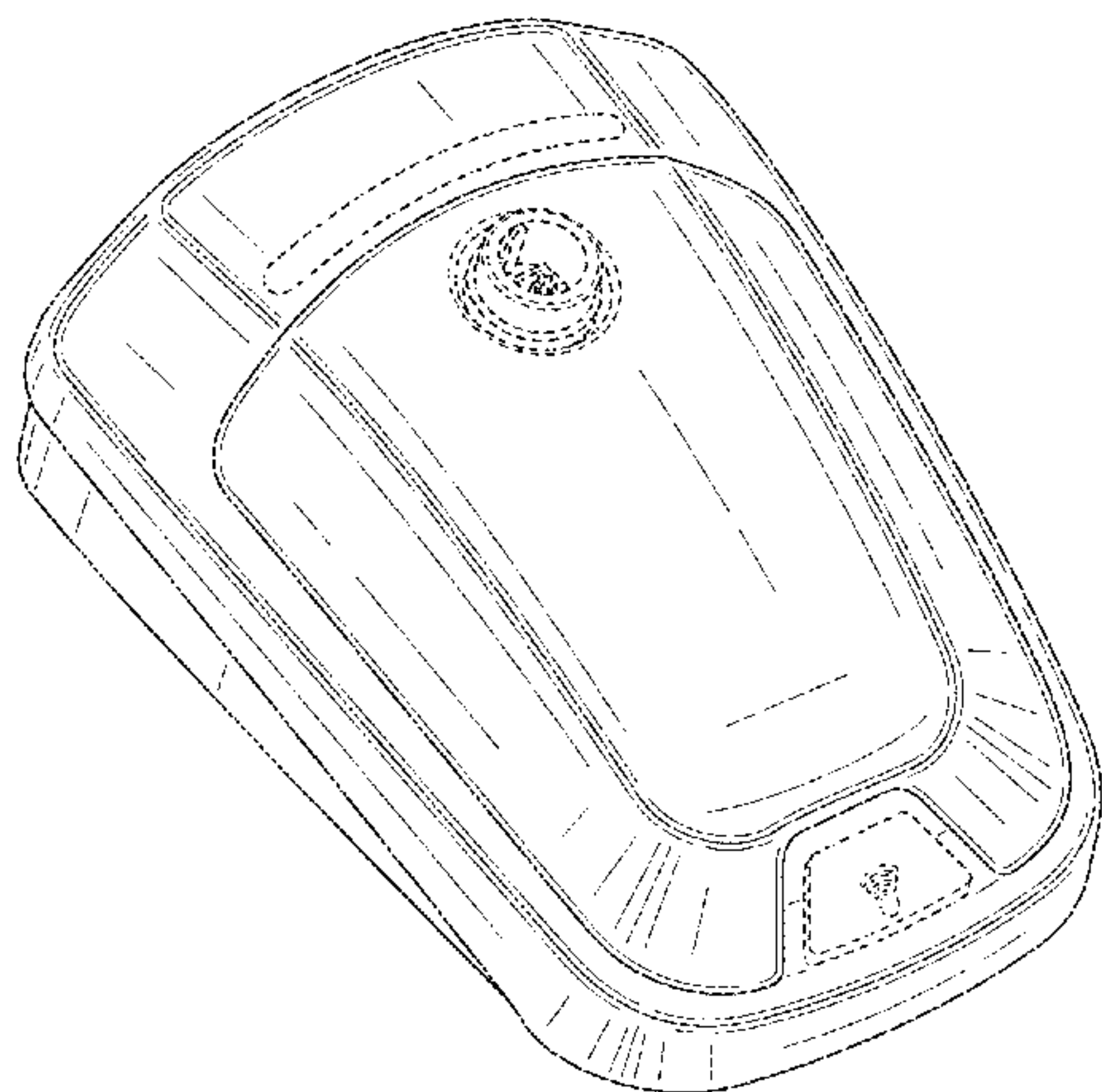
* cited by examiner

Primary Examiner — Susan Bennett Hattan
Assistant Examiner — Marie Fast Horse
(74) *Attorney, Agent, or Firm* — Plumsea Law Group, LLC

(57) **CLAIM**
The ornamental design for a tabletop microphone, as shown and described.

DESCRIPTION
FIG. 1 is a perspective view of a tabletop microphone showing my new design;
FIG. 2 is a top plan view thereof;
FIG. 3 is a side elevational view of one side thereof;
FIG. 4 is a side elevational view of the opposite side thereof;
FIG. 5 is a rear elevational view thereof; and,
FIG. 6 is a front elevational view thereof.
The broken lines in the drawings depict portions of the tabletop microphone that form no part of the claimed design.

1 Claim, 5 Drawing Sheets



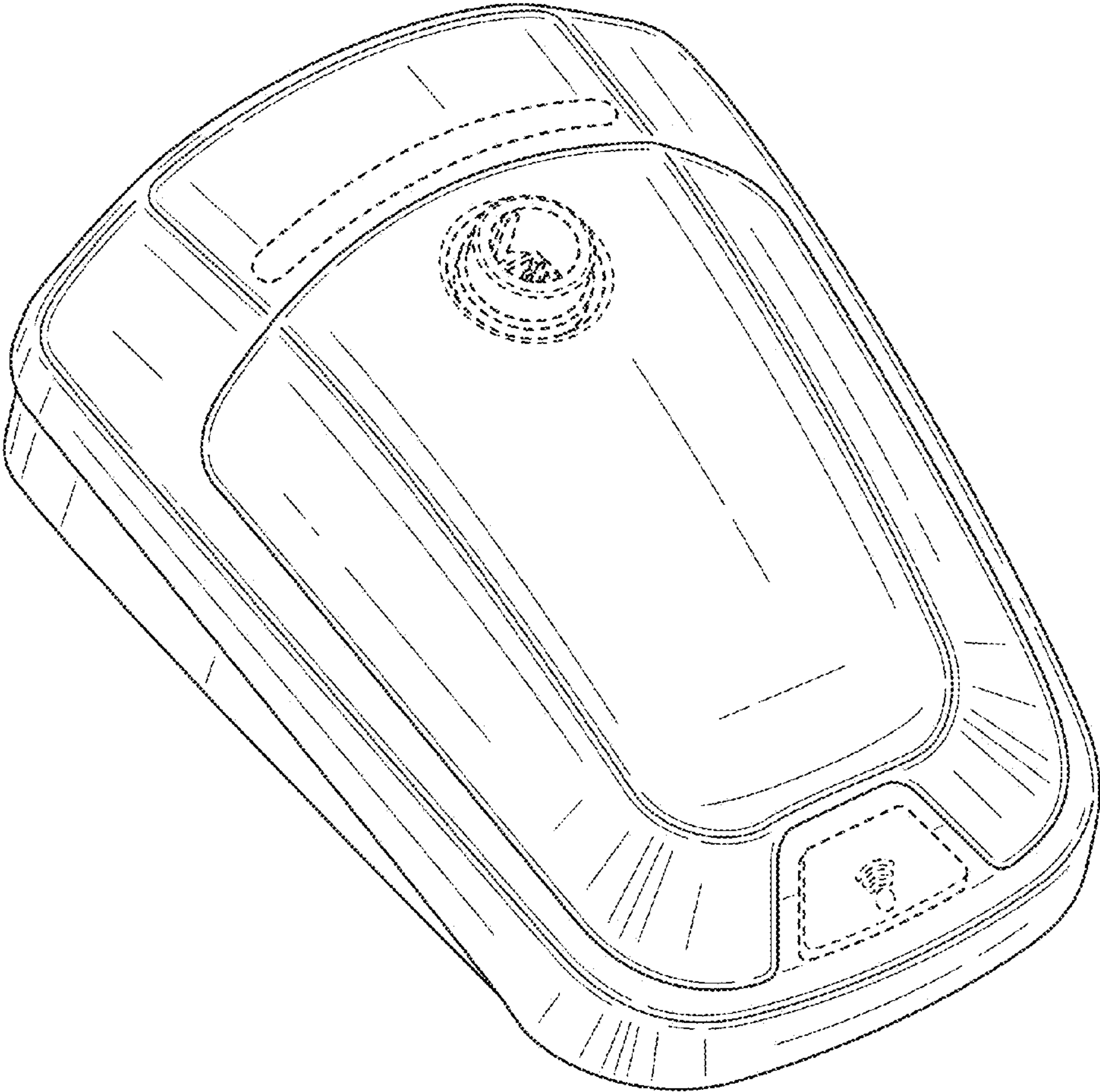


FIG. 1

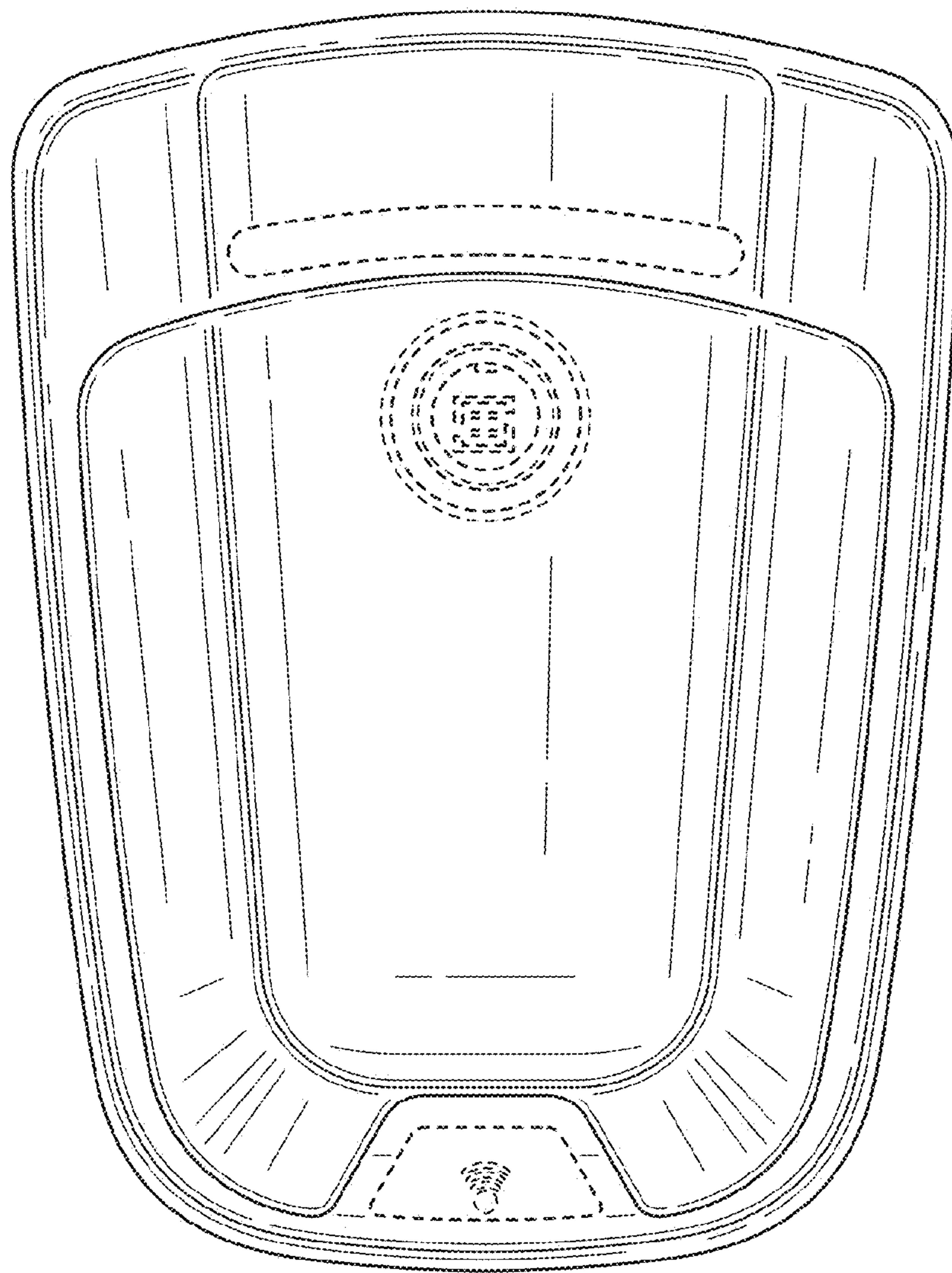


FIG. 2

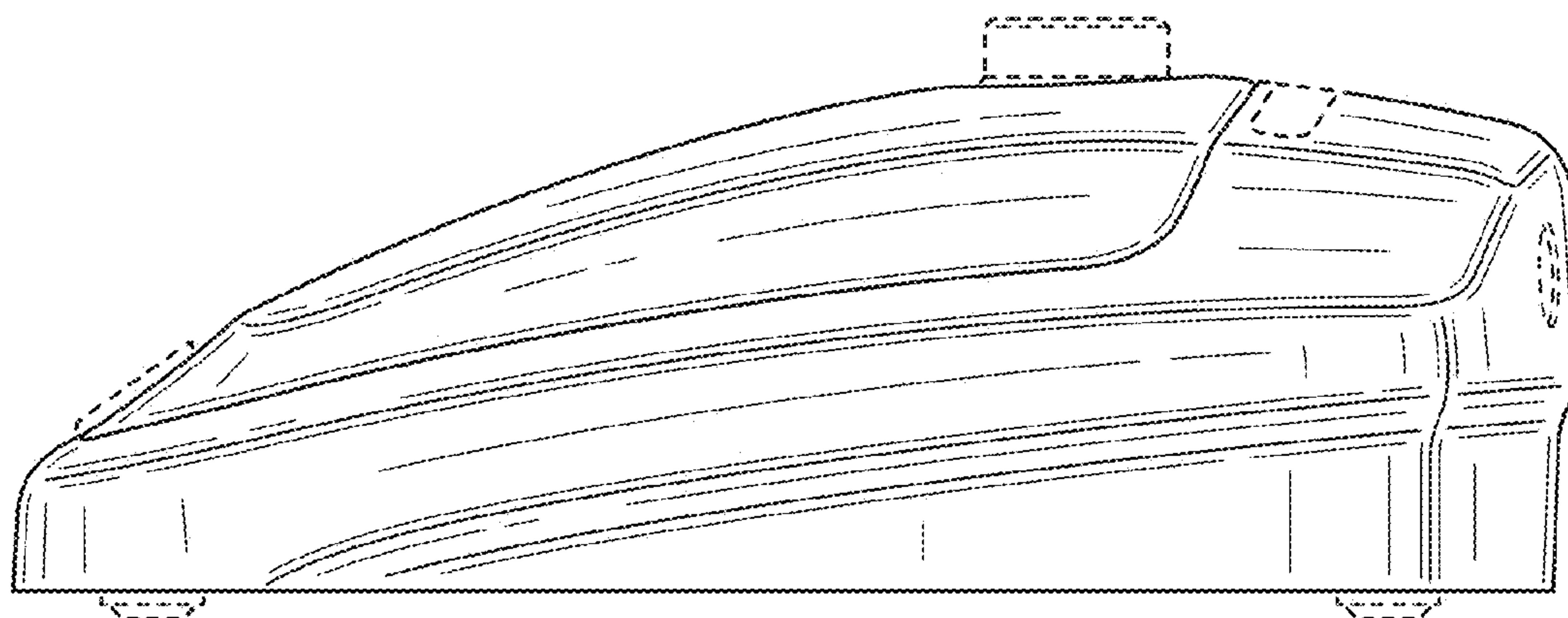


FIG. 3

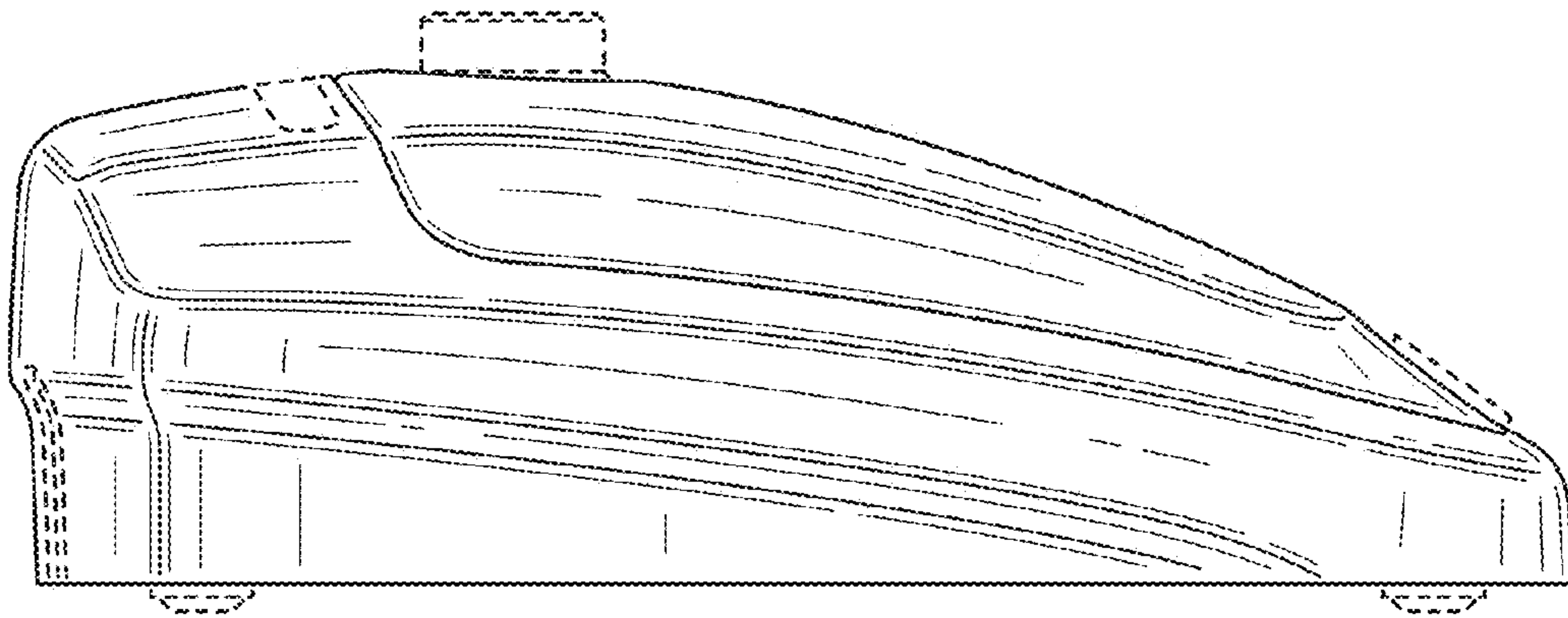


FIG. 4

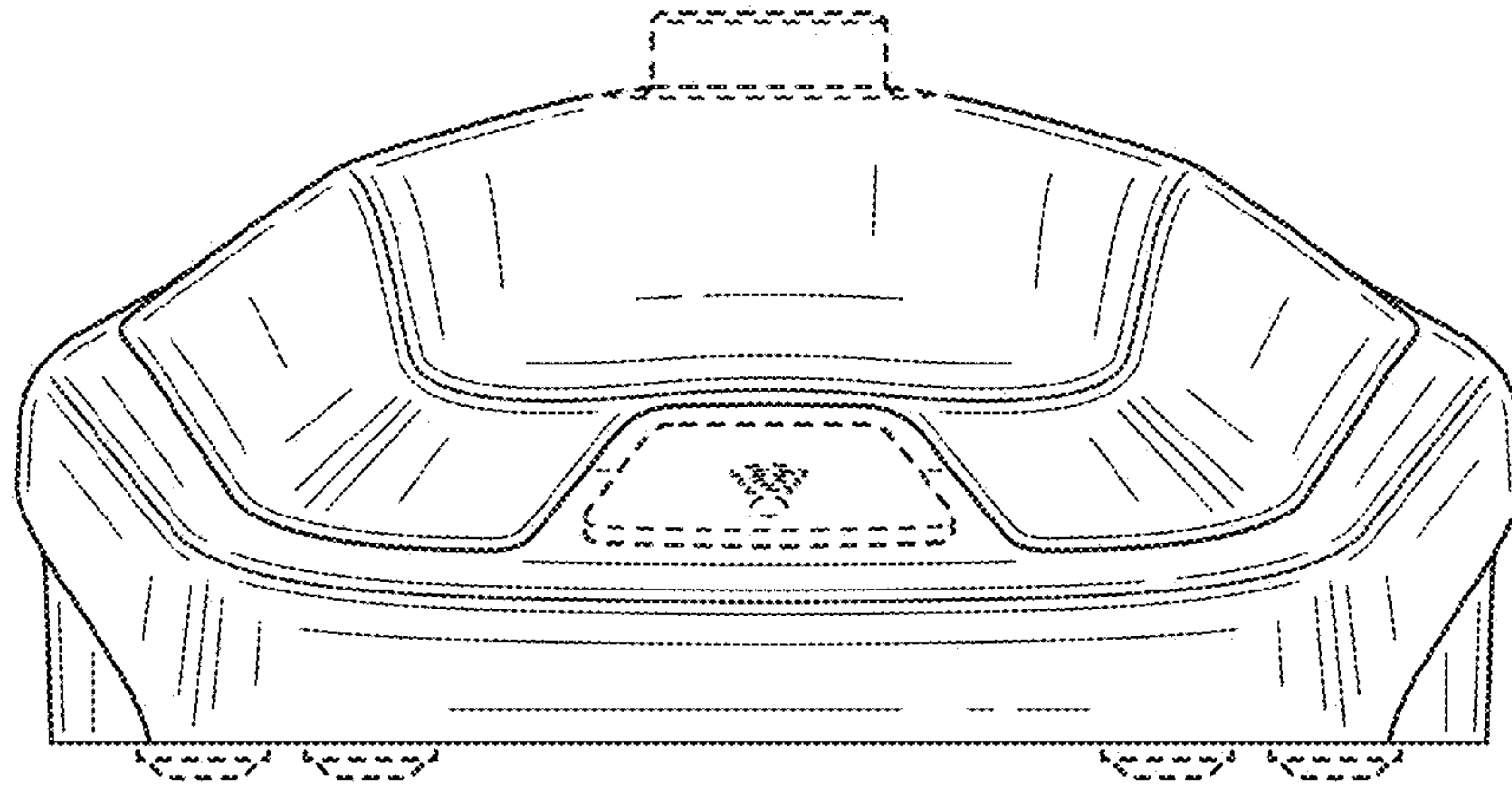


FIG. 5

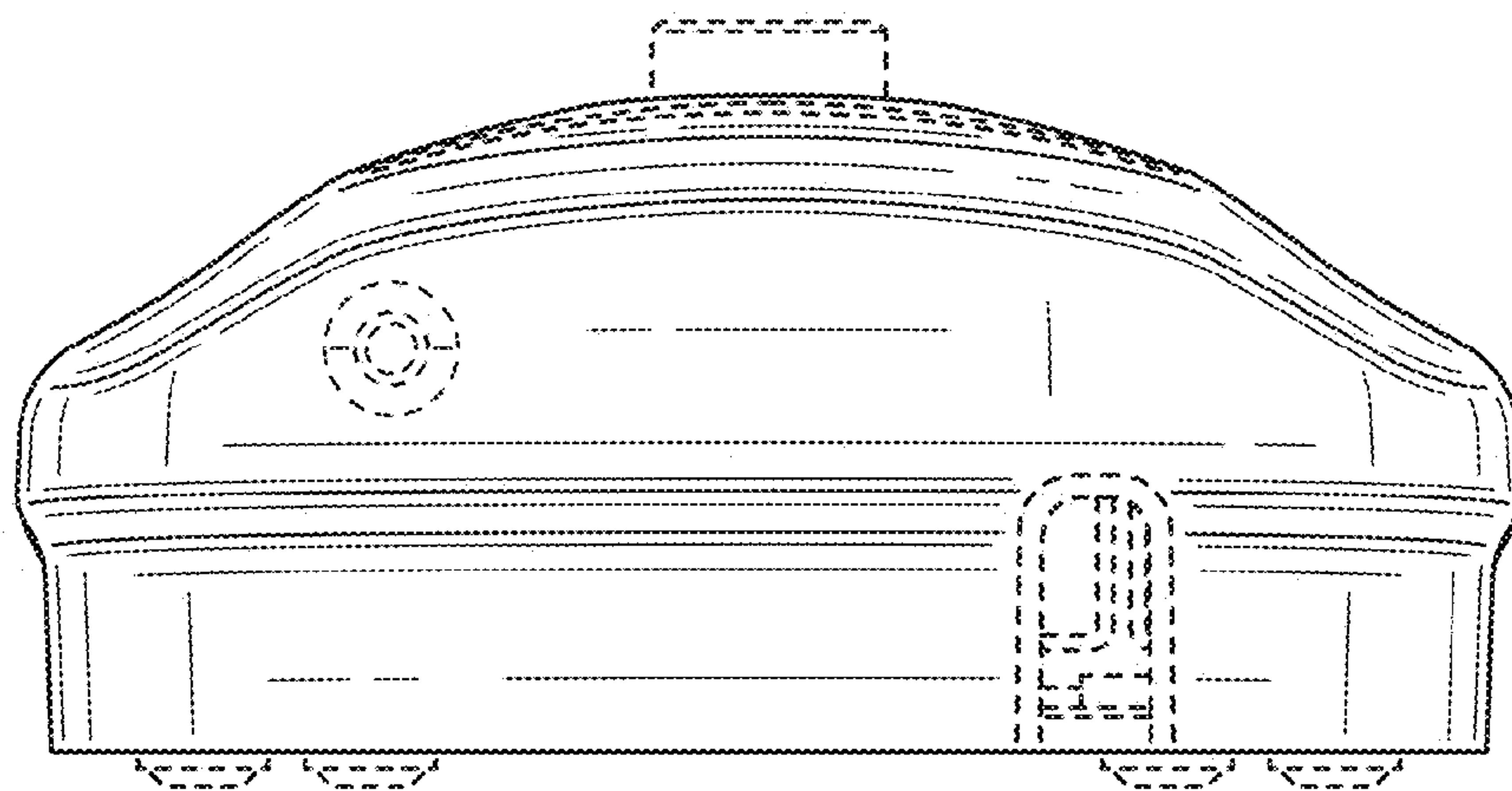


FIG. 6