



US00D725083S

(12) **United States Design Patent**
Lau et al.

(10) **Patent No.:** **US D725,083 S**
(45) **Date of Patent:** **** Mar. 24, 2015**

(54) **SPEAKER LIGHTING EFFECT MOUNT**

(71) Applicants: **Chiu Yu Lau**, Los Angeles, CA (US);
Qun Ying Ma, Los Angeles, CA (US)

(72) Inventors: **Chiu Yu Lau**, Los Angeles, CA (US);
Qun Ying Ma, Los Angeles, CA (US)

(**) Term: **14 Years**

(21) Appl. No.: **29/479,328**

(22) Filed: **Jan. 14, 2014**

(51) **LOC (10) Cl.** **14-01**

(52) **U.S. Cl.**
USPC **D14/224**

(58) **Field of Classification Search**
CPC H04R 25/00
USPC D14/224, 221, 219, 216; D12/209, 211;
D26/34, 38, 47, 51, 57, 70, 71, 73, 113,
D26/125, 139, 152, 143; D23/336; 362/194,
362/202, 253; 381/18, 160, 182, 204, 396,
381/397, 423

See application file for complete search history.

(56) **References Cited**

U.S. PATENT DOCUMENTS

2,533,498	A *	12/1950	Munson	455/350
D197,716	S *	3/1964	Boldt et al.	D14/216
3,356,796	A *	12/1967	Wray	381/433
D266,420	S *	10/1982	Warner	D14/222
D270,533	S *	9/1983	Piercy	D14/224
D318,671	S *	7/1991	Naumann	D14/224
D368,885	S *	4/1996	Wagner	D12/209
5,625,701	A *	4/1997	Scanlan	381/403
D384,320	S *	9/1997	Bhambra	D12/209

D410,618	S *	6/1999	Hussaini et al.	D12/211
D413,851	S *	9/1999	Donikoglu	D12/209
D428,846	S *	8/2000	Yoshida et al.	D12/211
6,393,132	B1 *	5/2002	Lin	381/386
D463,407	S *	9/2002	Ballard et al.	D14/224
D476,313	S *	6/2003	Rivera	D14/216
D478,572	S *	8/2003	Dawson	D14/219
6,738,490	B2 *	5/2004	Brandt	381/421
D514,999	S *	2/2006	Boyer	D12/209
D515,492	S *	2/2006	Fitzgerald	D12/211

* cited by examiner

Primary Examiner — Paula Greene

(74) *Attorney, Agent, or Firm* — Raymond Y. Chan; David and Raymonc Patent Firm

(57) **CLAIM**

The ornamental design for a speaker lighting effect mount, as shown and described.

DESCRIPTION

FIG. 1 is a perspective view showing my new design.

FIG. 2 is a front view thereof.

FIG. 3 is a rear view thereof, the broken-line disclosure being for illustrative purposes only and forming on part of the claimed design.

FIG. 4 is a right end view thereof.

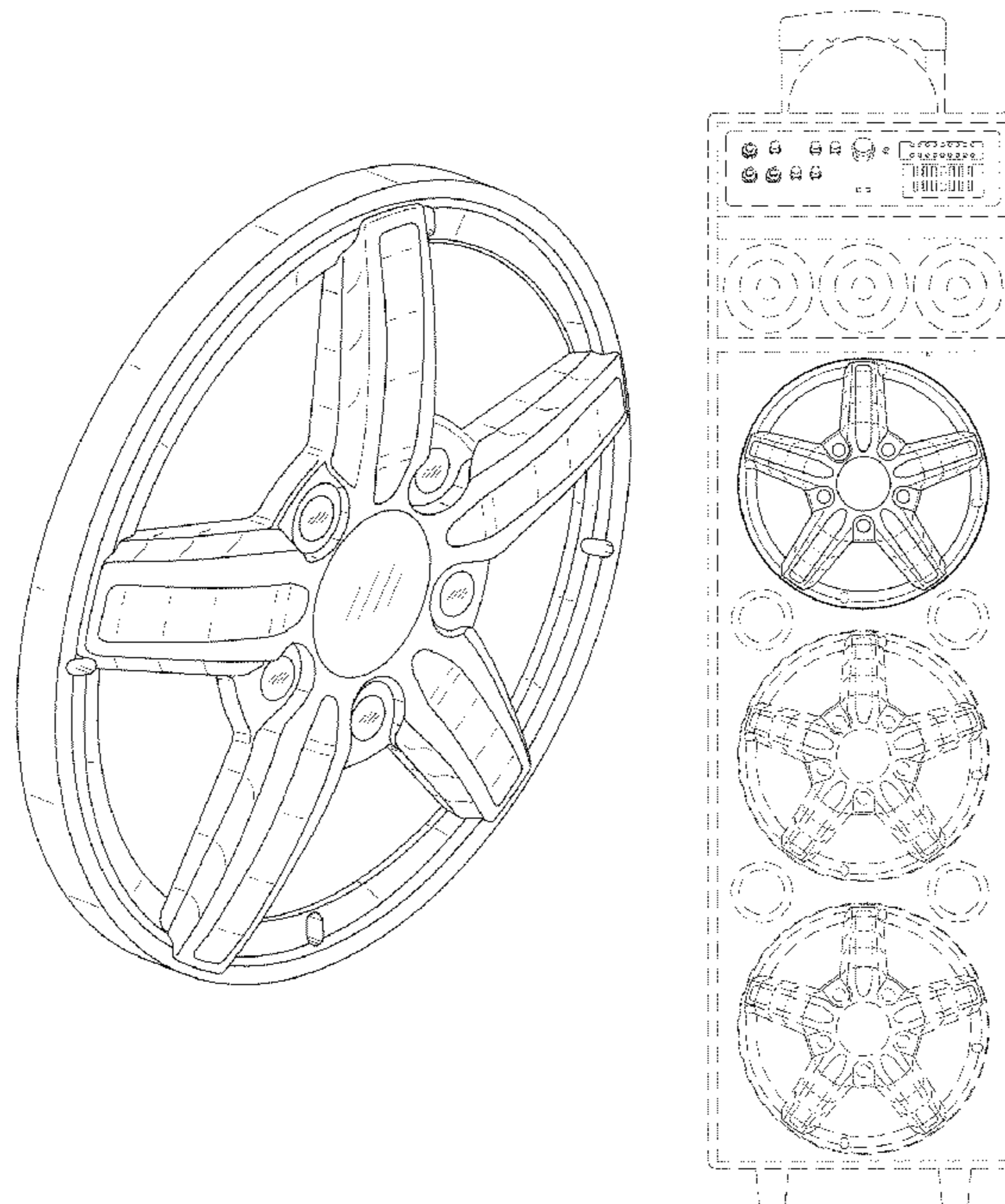
FIG. 5 is a left end view thereof.

FIG. 6 is a top view thereof.

FIG. 7 is a bottom view thereof; and,

FIG. 8 is a front view thereof mounted on a speaker wherein the broken-line disclosure is for illustrative purposes only and forming no part of the claimed design.

1 Claim, 8 Drawing Sheets



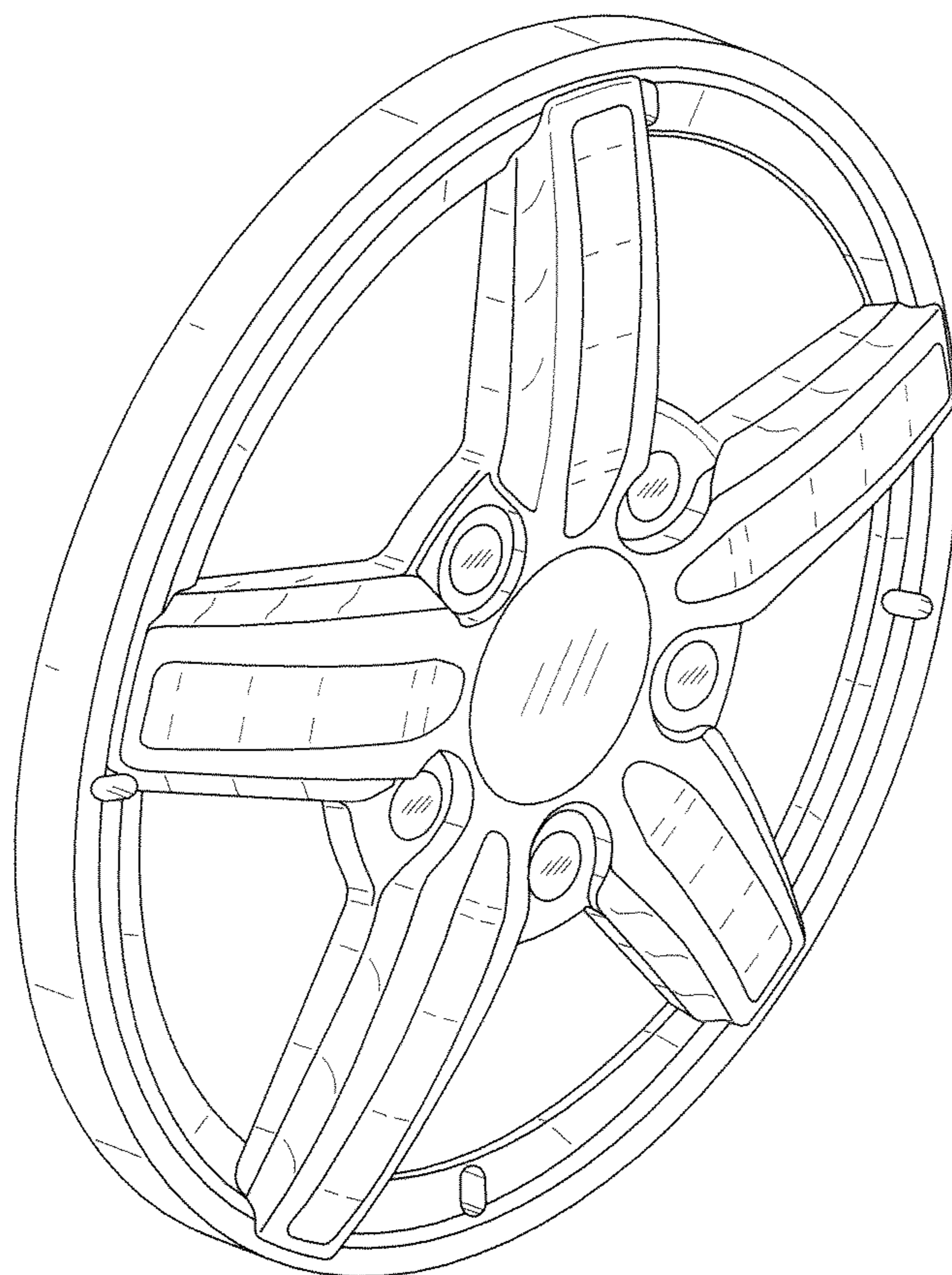


FIG.1

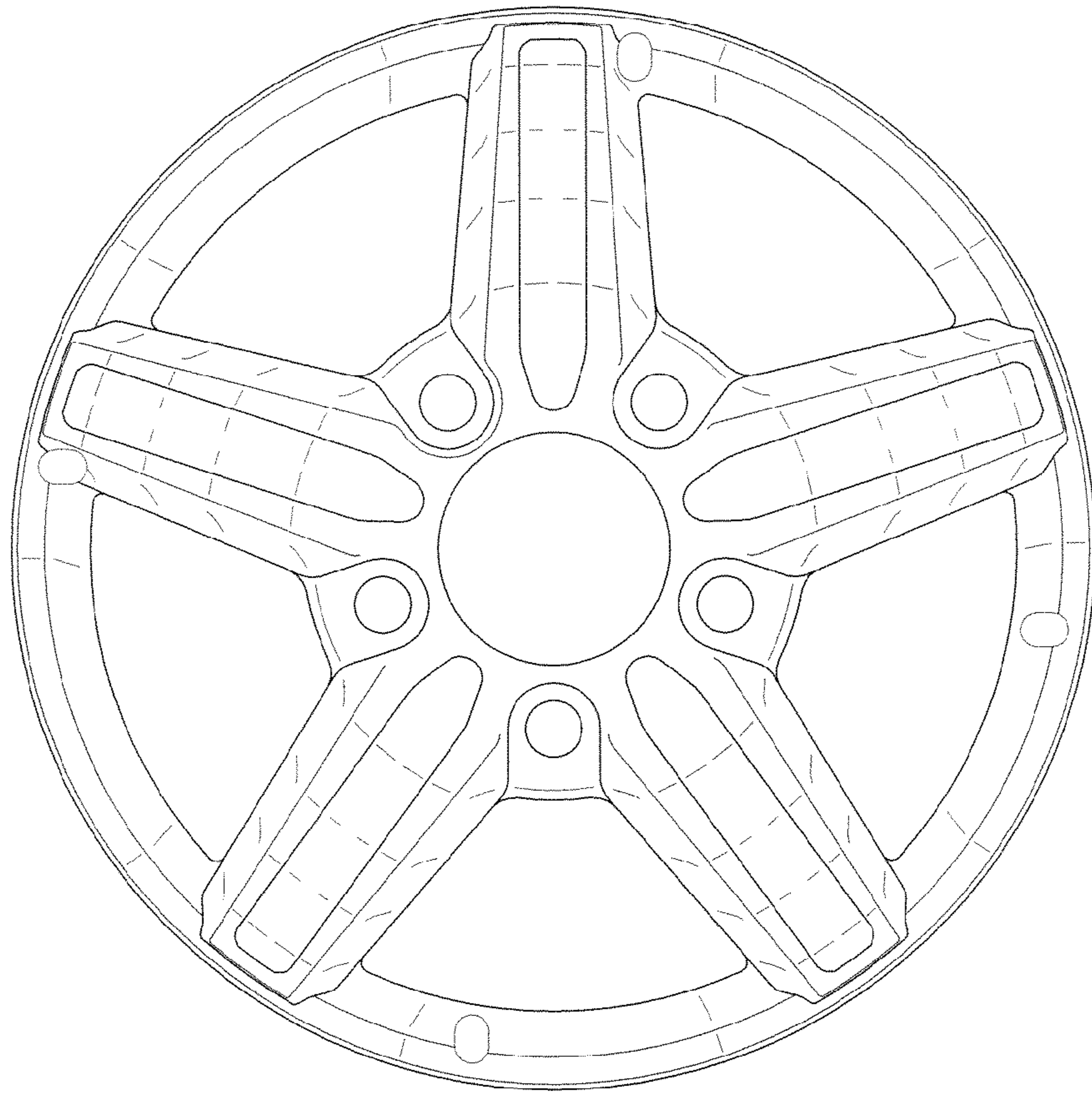


FIG. 2

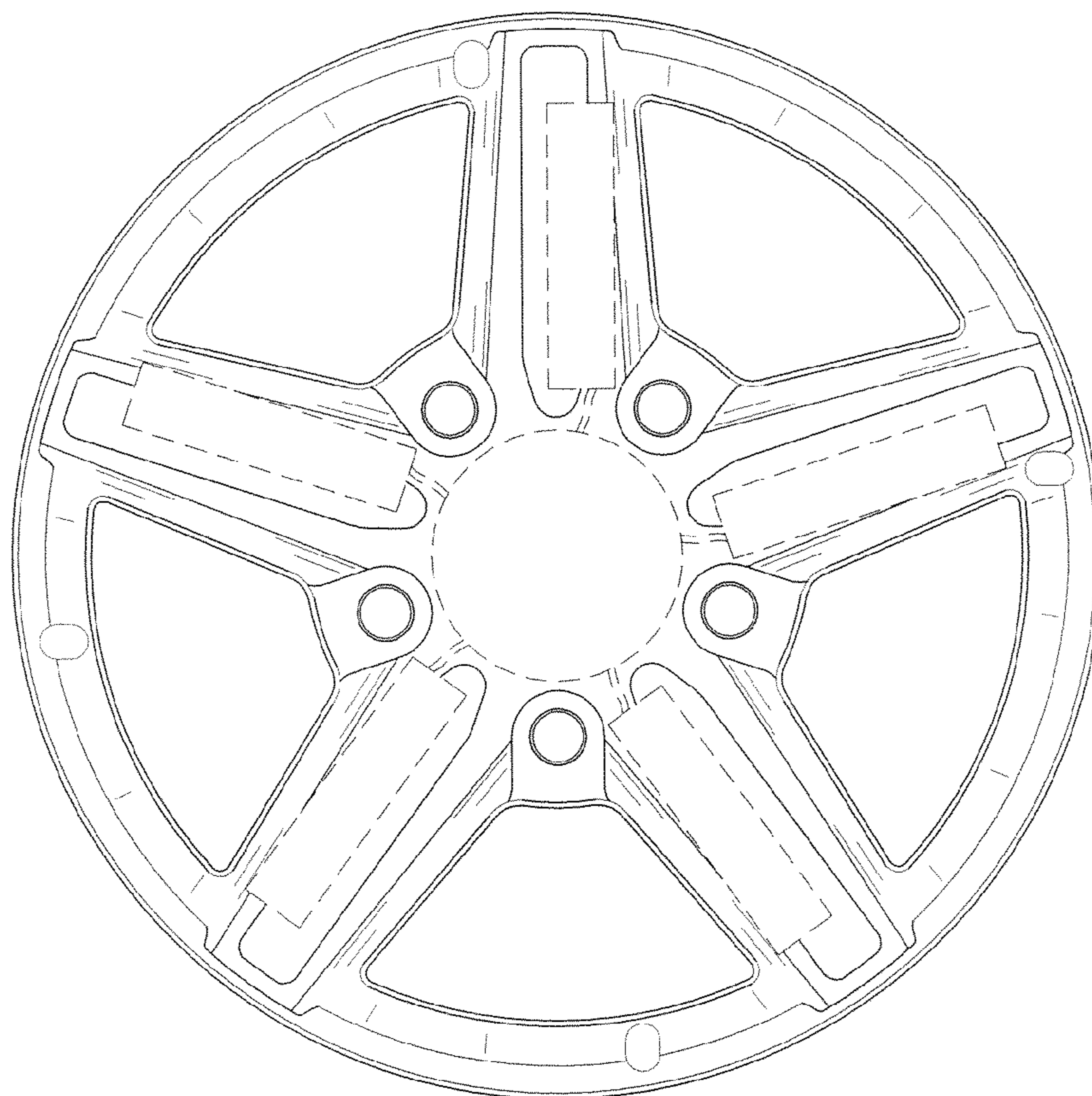


FIG.3

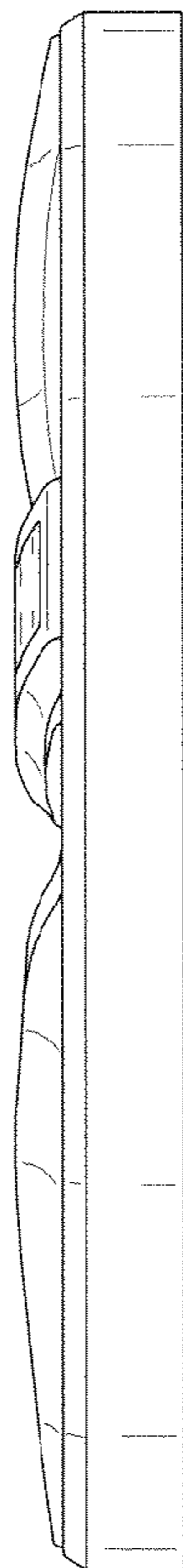


FIG.4



FIG.5

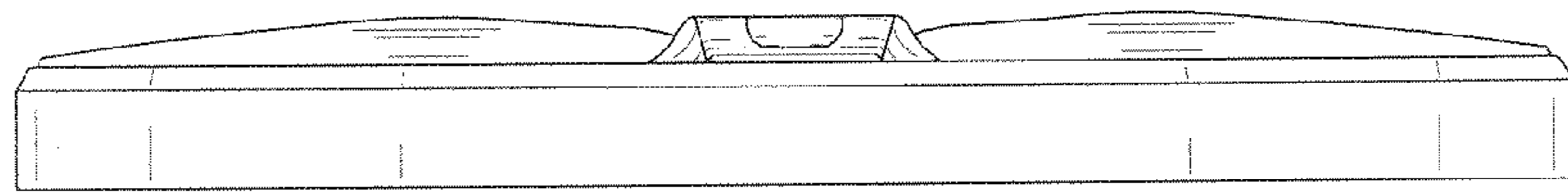


FIG.6

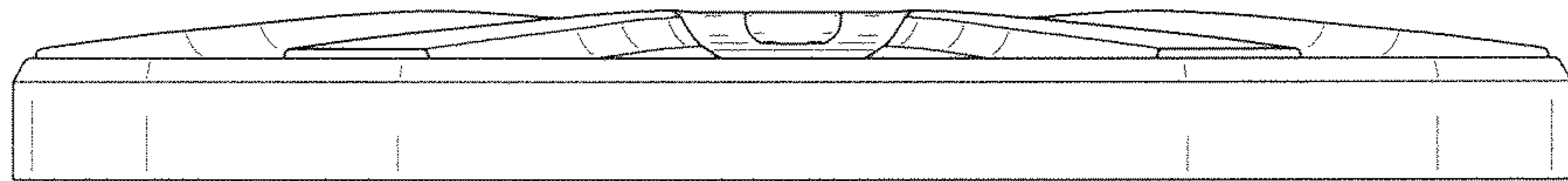


FIG.7

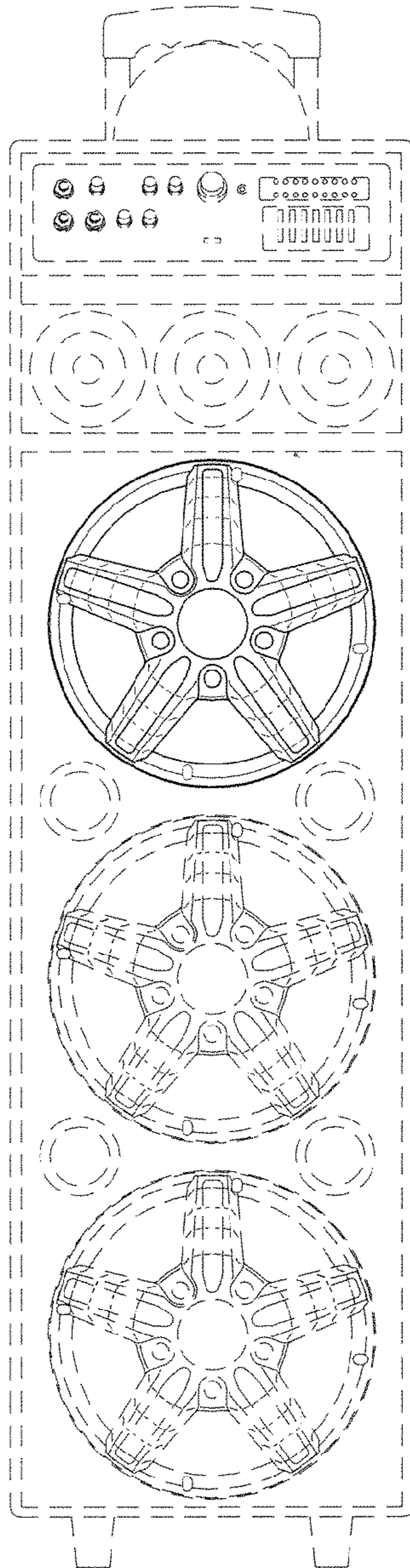


FIG.8