



US00D725082S

(12) **United States Design Patent**
Palmborg et al.

(10) **Patent No.:** **US D725,082 S**
(45) **Date of Patent:** **** Mar. 24, 2015**

- (54) **EAR BUD**
- (71) Applicant: **Doppler Labs, Inc.**, New York, NY (US)
- (72) Inventors: **Nils Jacob Palmborg**, Brooklyn, NY (US); **Richard Fritz Lanman, III**, New York, NY (US); **Noah Kraft**, Brooklyn, NY (US)
- (73) Assignee: **Doppler Labs, Inc.**, New York, NY (US)
- (**) Term: **14 Years**
- (21) Appl. No.: **29/485,359**
- (22) Filed: **Mar. 18, 2014**
- (51) **LOC (10) Cl.** **14-01**
- (52) **U.S. Cl.**
USPC **D14/223**
- (58) **Field of Classification Search**
CPC H04R 1/10
USPC D14/205, 206, 223; D24/174; D19/162;
D28/5, 8.1; 132/73, 76.5; 181/129,
181/130, 135; 379/430, 431; 381/380, 381;
455/90.3, 575.1
See application file for complete search history.

- (56) **References Cited**
U.S. PATENT DOCUMENTS
- | | | | | | | |
|-----------|---|---|--------|---------------|-------|---------|
| 237,861 | A | * | 2/1881 | Hare | | 248/690 |
| D53,624 | S | * | 7/1919 | Woodward | | D9/414 |
| D167,873 | S | * | 9/1952 | Watson | | D24/174 |
| D185,740 | S | * | 7/1959 | Criswell | | D24/174 |
| 3,048,526 | A | * | 8/1962 | Boswell | | 424/472 |
| D206,665 | S | * | 1/1967 | Sanzone | | D24/174 |
| 3,440,365 | A | * | 4/1969 | Hazell et al. | | 379/430 |
| D258,091 | S | * | 1/1981 | Reed et al. | | D24/101 |

D287,765	S	*	1/1987	Topholm	D24/174
D360,691	S	*	7/1995	Mostardo	D24/174
D410,493	S	*	6/1999	Leveen et al.	D19/53
D436,580	S	*	1/2001	Navano et al.	D14/486
D455,405	S	*	4/2002	Bonn	D13/158
D467,346	S	*	12/2002	Gerth	D24/200
D475,996	S	*	6/2003	Skulley	D14/240
D494,571	S	*	8/2004	Polito	D14/223
D541,684	S	*	5/2007	Sandy et al.	D10/70
D555,146	S	*	11/2007	Sandy	D14/167
D575,611	S	*	8/2008	Clampitt et al.	D8/82
D583,341	S	*	12/2008	Wang	D14/138 AB
D628,192	S	*	11/2010	Hsu et al.	D14/218
D632,677	S	*	2/2011	Brown et al.	D14/223
2005/0172978	A1	*	8/2005	Tien	132/73

* cited by examiner

Primary Examiner — Paula Greene
(74) *Attorney, Agent, or Firm* — SoCal IP Law Group LLP;
M. Kala Sarvaiya; Steven C. Sereboff

(57) **CLAIM**
We claim the ornamental design for an ear bud, as shown and described.

DESCRIPTION

FIG. 1 is a front view of an ear bud.
FIG. 2 is a rear view of the ear bud shown in FIG. 1.
FIG. 3 is a top, front perspective view of the ear bud shown in FIG. 1.
FIG. 4 is a top, side view of the ear bud shown in FIG. 1.
FIG. 5 is a right, side view of the ear bud shown in FIG. 1; and,
FIG. 6 is a left, side view of the ear bud shown in FIG. 1.
The broken lines in FIGS. 1-6 are included for the purpose of illustrating the environment and form no part of the claimed design.

1 Claim, 4 Drawing Sheets

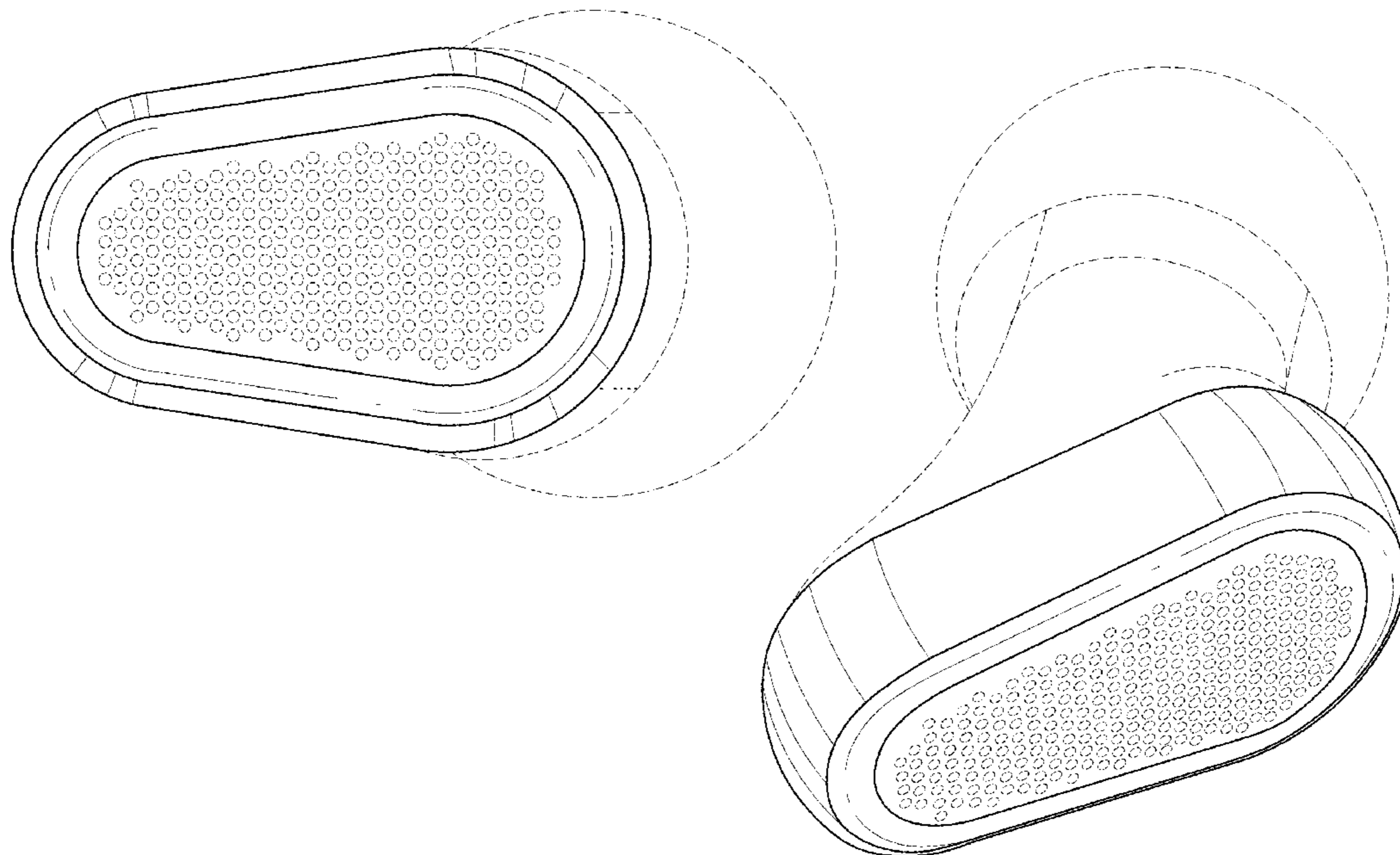


FIG. 1

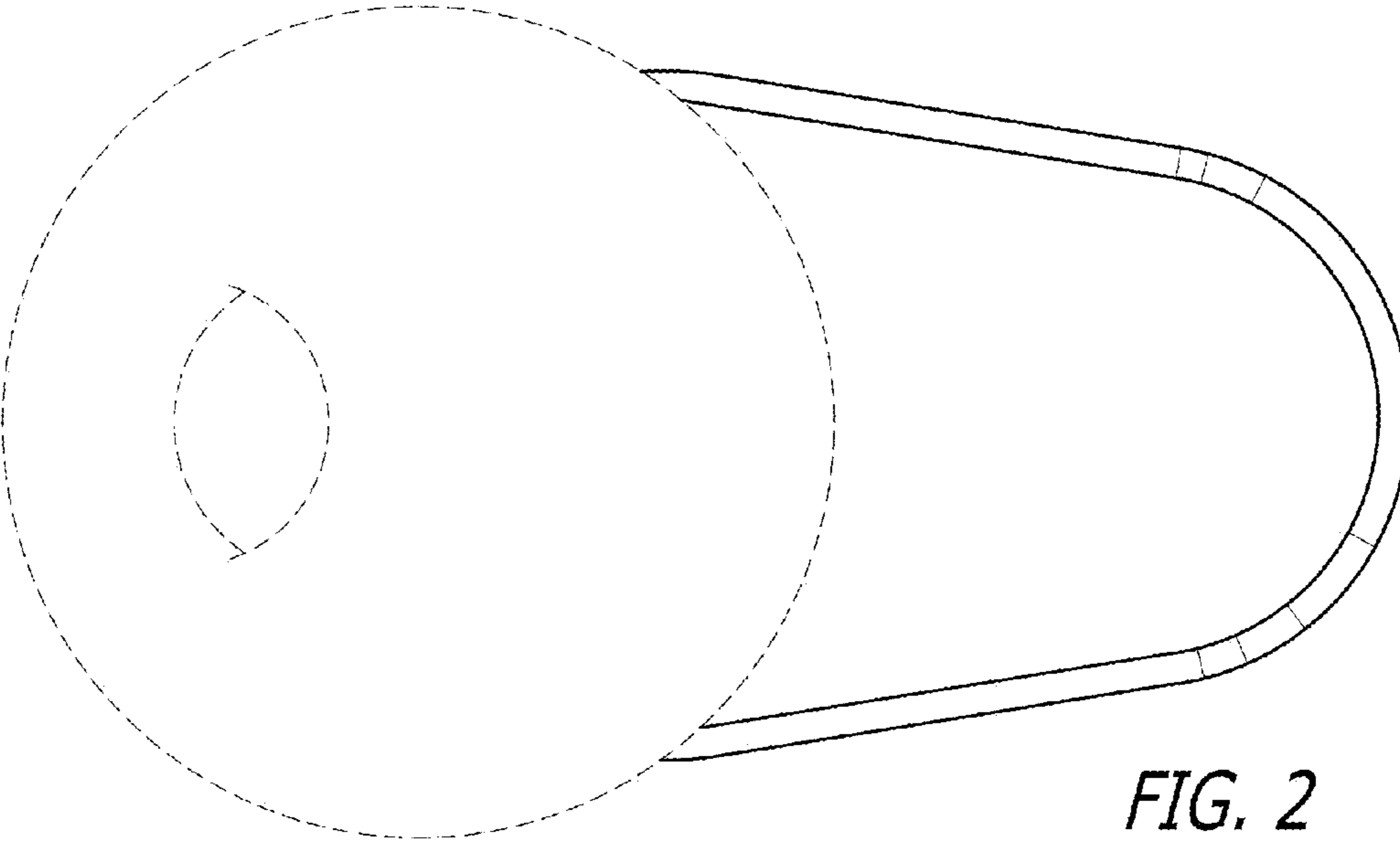
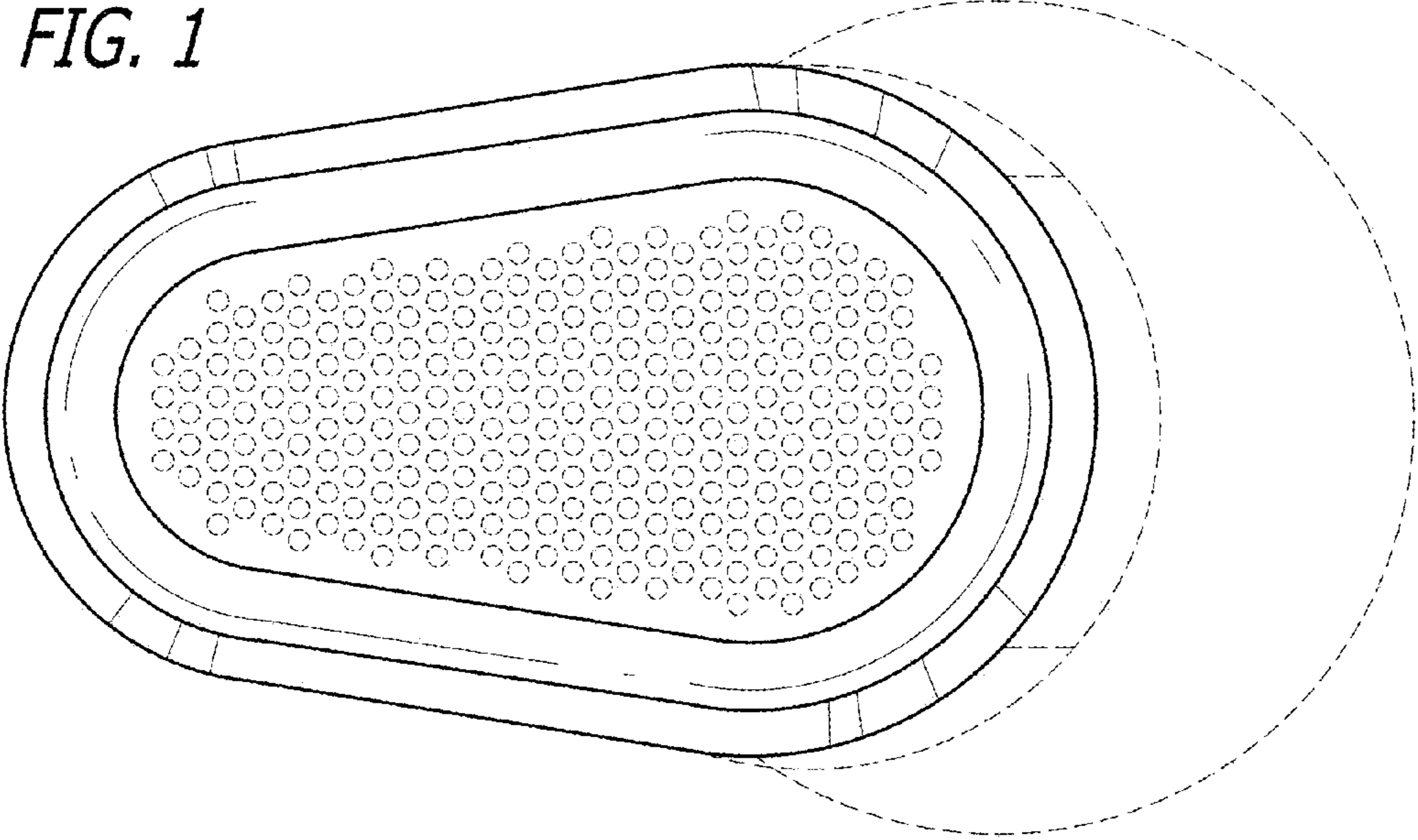
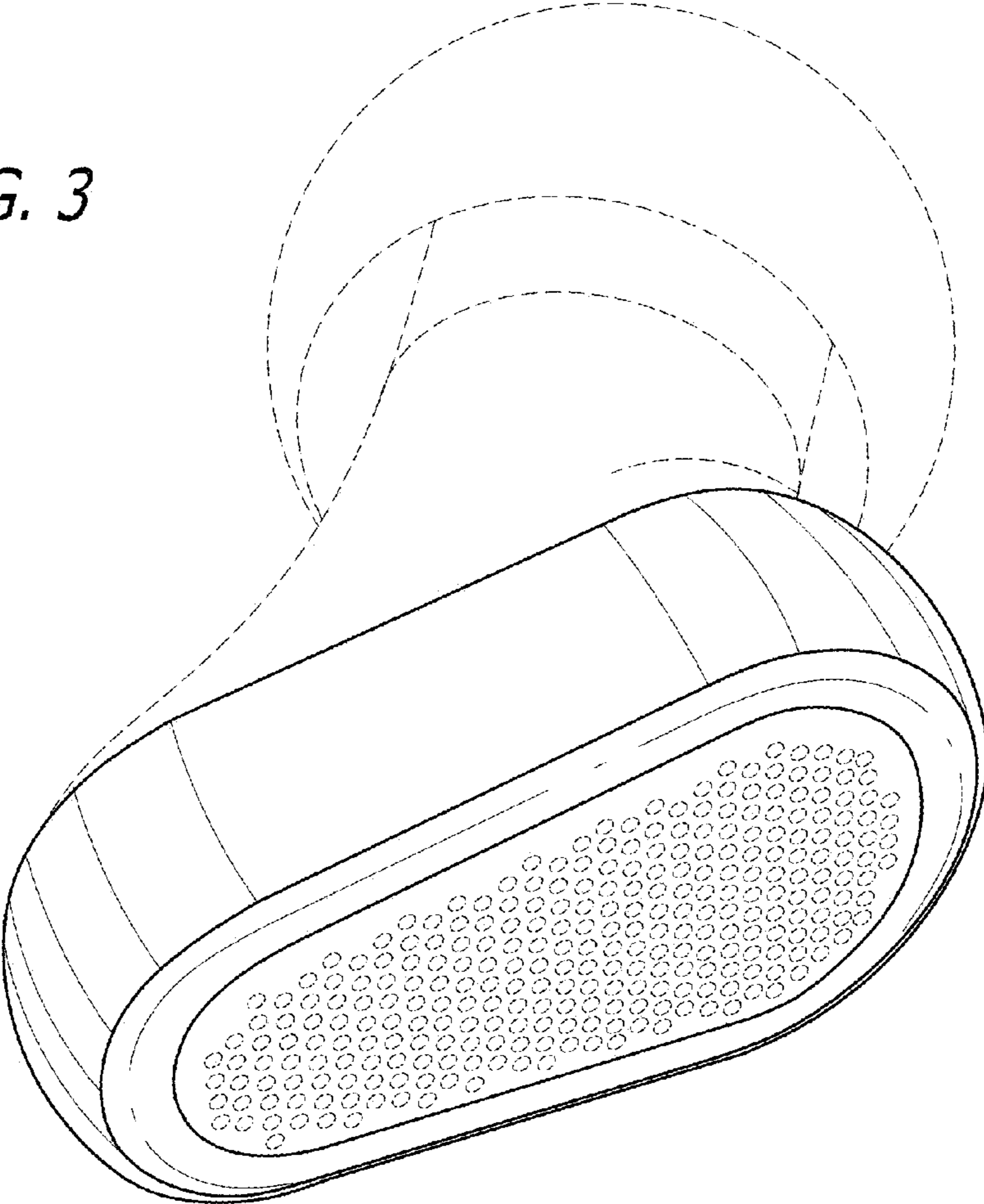


FIG. 2

FIG. 3



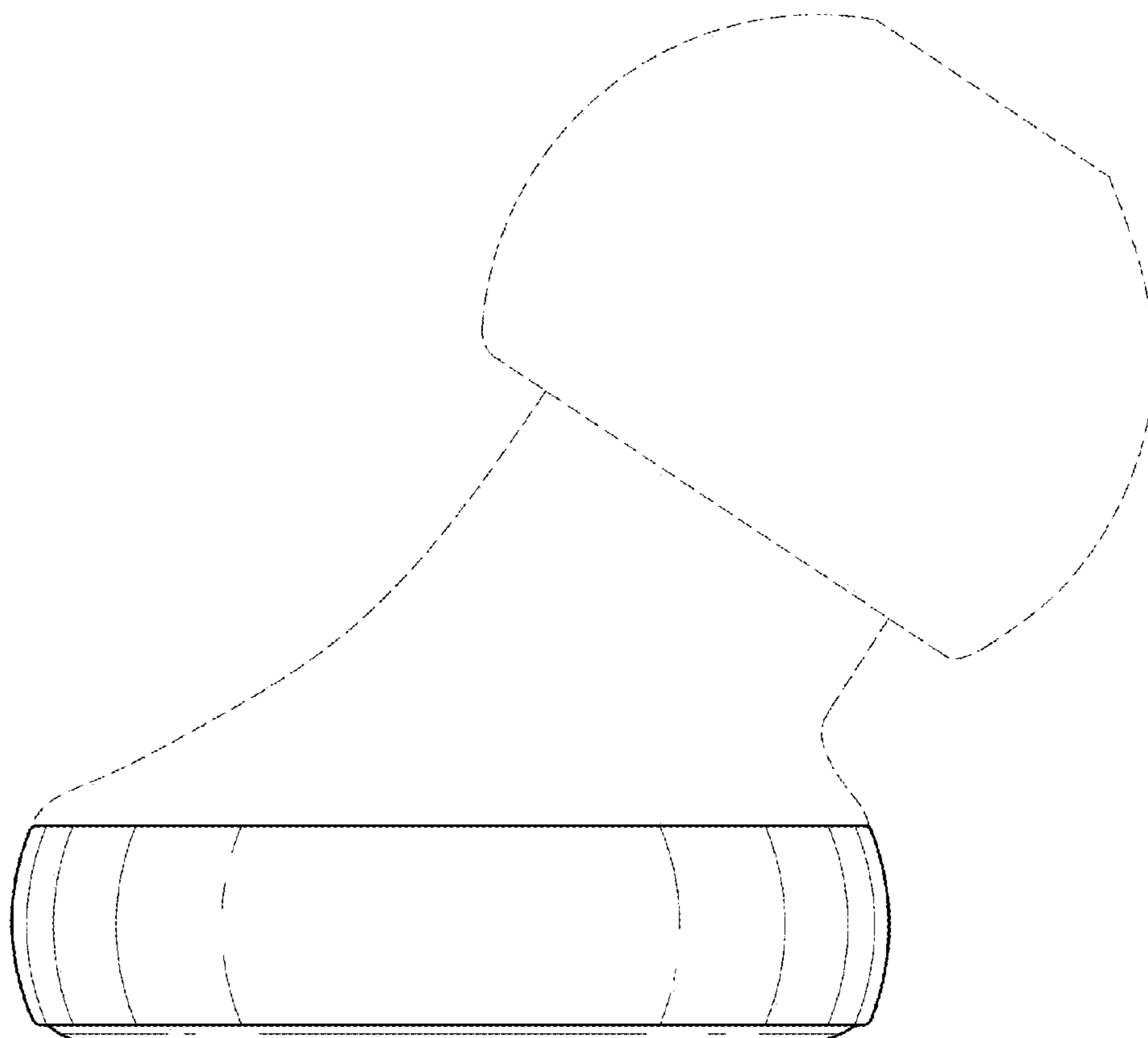


FIG. 4

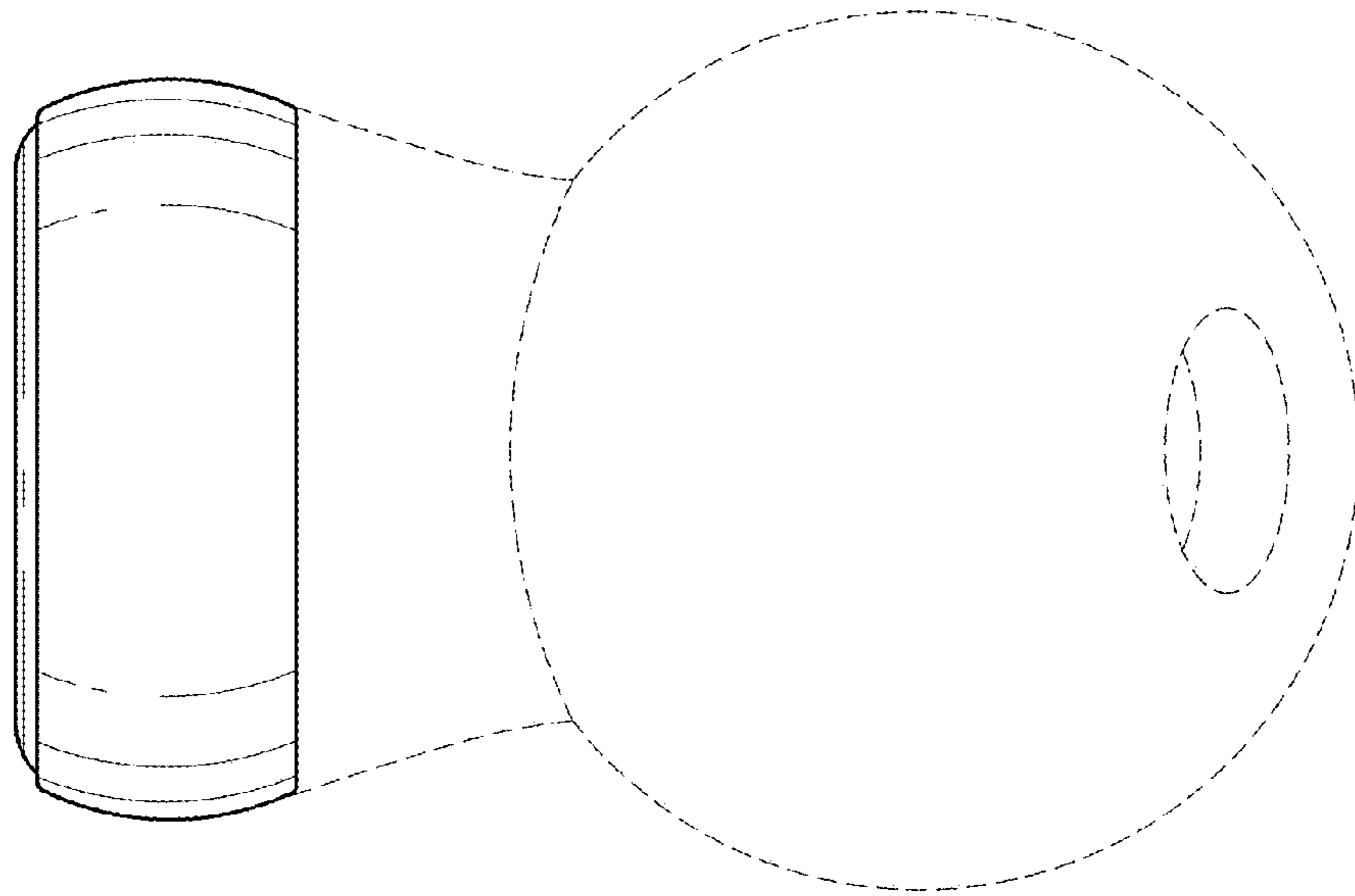


FIG. 5

FIG. 6

