



US00D725081S

(12) **United States Design Patent**  
**Burgett et al.**

(10) **Patent No.:** **US D725,081 S**  
(45) **Date of Patent:** **\*\* Mar. 24, 2015**

(54) **EARPHONE**

(71) Applicant: **Harman International Industries, Incorporated, Stamford, CT (US)**

(72) Inventors: **Seth D. Burgett, Glen Carbon, IL (US); Aaron Gorga, St. Louis, MO (US); Effrosini A. Karayiannis, St. Louis, MO (US)**

(73) Assignee: **Harman International Industries, Incorporated, Northridge, CA (US)**

(\*\*) Term: **14 Years**

(21) Appl. No.: **29/471,345**

(22) Filed: **Oct. 30, 2013**

(51) **LOC (10) Cl.** ..... **14-01**

(52) **U.S. Cl.**  
USPC ..... **D14/223**

(58) **Field of Classification Search**  
CPC ..... H04R 1/10  
USPC ..... D14/223, 205; 181/129, 130, 135;  
379/430, 431; 381/380, 381; 455/90.3,  
455/575.1

See application file for complete search history.

(56) **References Cited**

**U.S. PATENT DOCUMENTS**

5,844,984	A *	12/1998	Yamaguchi et al.	379/430
D427,994	S *	7/2000	Pirelli	D14/223
6,084,976	A *	7/2000	Lin	381/380
D457,513	S *	5/2002	Pirelli et al.	D14/223
D471,889	S *	3/2003	Rath et al.	D14/205
D510,337	S *	10/2005	Tages	D14/205
D561,743	S *	2/2008	Huang et al.	D14/223
D573,582	S *	7/2008	Ma	D14/205
D582,899	S *	12/2008	Wai	D14/223
D583,804	S *	12/2008	Mahler et al.	D14/223
D598,900	S *	8/2009	Wikel et al.	D14/223

D600,682	S *	9/2009	Wai	D14/223
D602,476	S *	10/2009	Lee et al.	D14/223
D604,722	S *	11/2009	Mistry	D14/223
D620,926	S *	8/2010	Wai et al.	D14/223
D627,335	S *	11/2010	Hou	D14/223
D650,773	S *	12/2011	Kim et al.	D14/223
8,090,135	B2 *	1/2012	Lin	381/381
D654,057	S	2/2012	Burgett et al.	
D661,284	S *	6/2012	Brandis et al.	D14/223
8,270,915	B2 *	9/2012	Sanford et al.	455/90.3
D669,886	S *	10/2012	Maddern	D14/223
D675,600	S *	2/2013	Koch	D14/223
D687,417	S *	8/2013	Koss et al.	D14/223
D695,718	S	12/2013	Burgett et al.	
D695,719	S	12/2013	Burgett et al.	
D696,230	S	12/2013	Burgett et al.	
D699,213	S	2/2014	Burgett et al.	
D705,758	S *	5/2014	Drambarean	D14/223
D705,759	S *	5/2014	Drambarean	D14/223
D705,760	S *	5/2014	Drambarean	D14/223
2013/0188804	A1	7/2013	Burgett	
2013/0336495	A1	12/2013	Burgett et al.	

\* cited by examiner

*Primary Examiner* — Paula Greene

(74) *Attorney, Agent, or Firm* — Plumsea Law Group, LLC

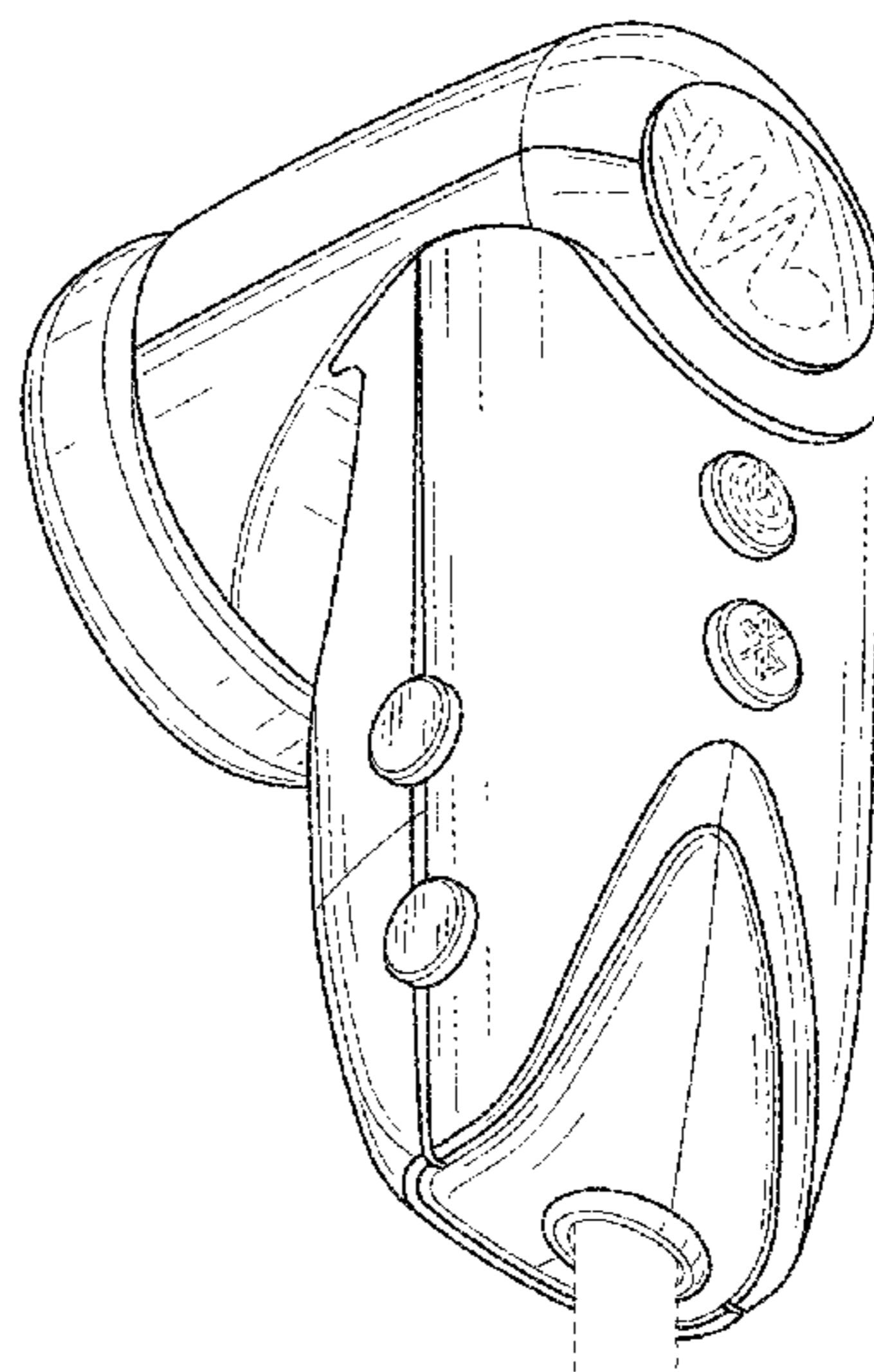
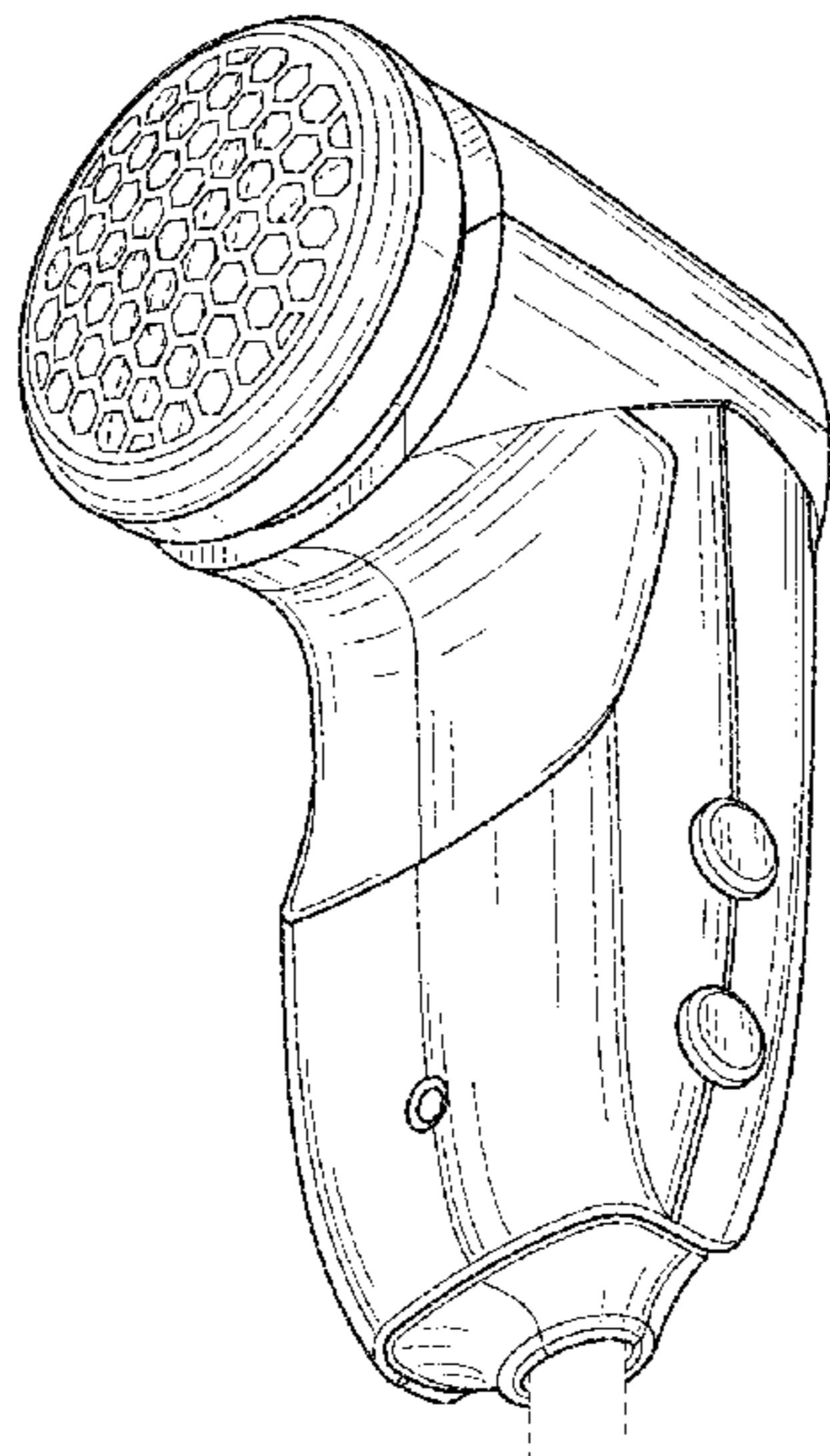
(57) **CLAIM**

The ornamental design for an earphone, as shown and described.

**DESCRIPTION**

FIG. 1 is a front perspective view from above of the earphone; FIG. 2 is a front perspective view from below thereof; FIG. 3 is a rear perspective view from above thereof; FIG. 4 is a rear perspective view from below thereof; FIG. 5 is a front elevation view thereof; FIG. 6 is a rear elevation view thereof; FIG. 7 is a right-side elevation view thereof; and, FIG. 8 is a left-side elevation view thereof. The dashed lines show embellishments that do not form a part of the claimed design.

**1 Claim, 4 Drawing Sheets**



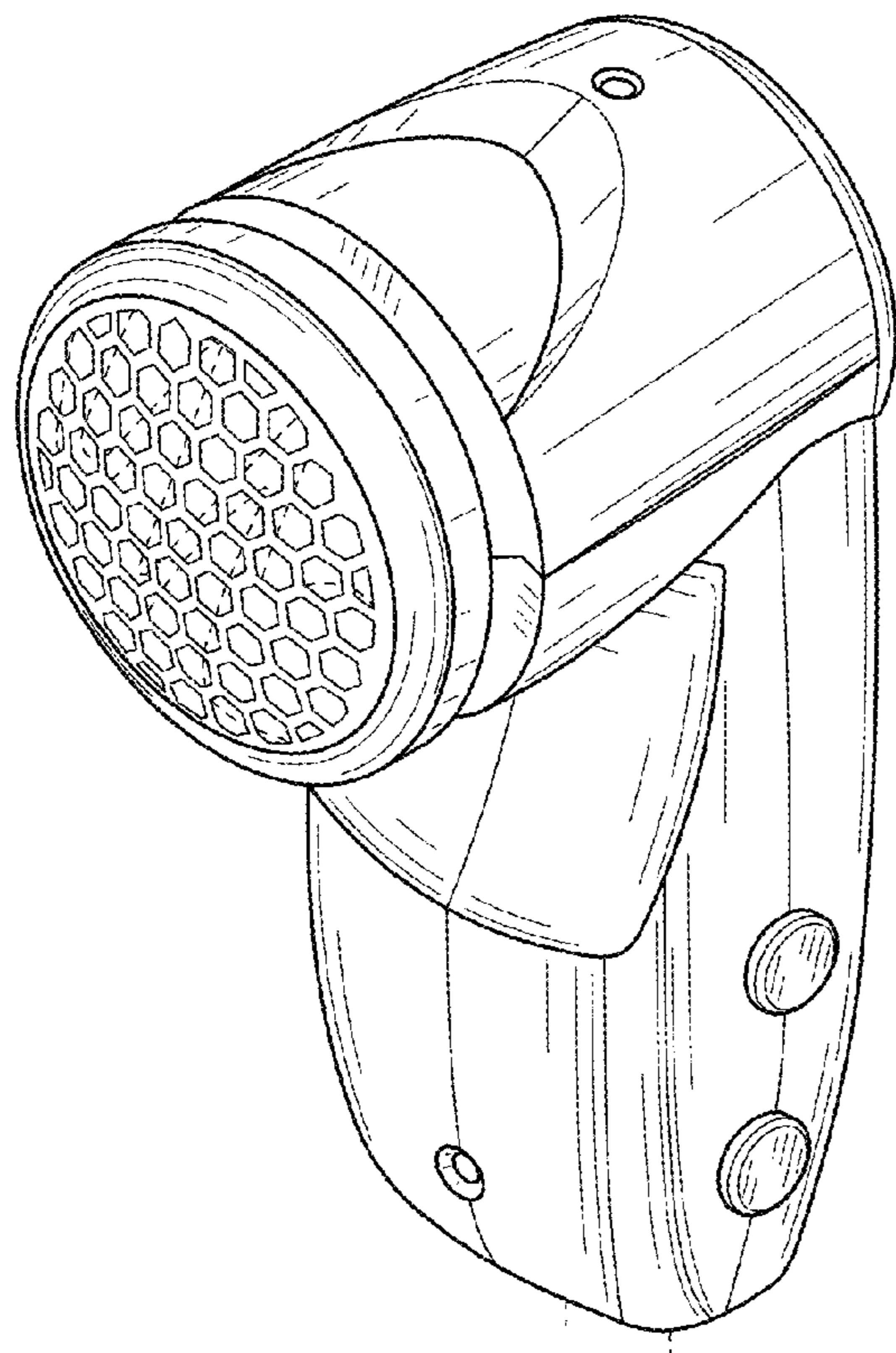


FIG. 1

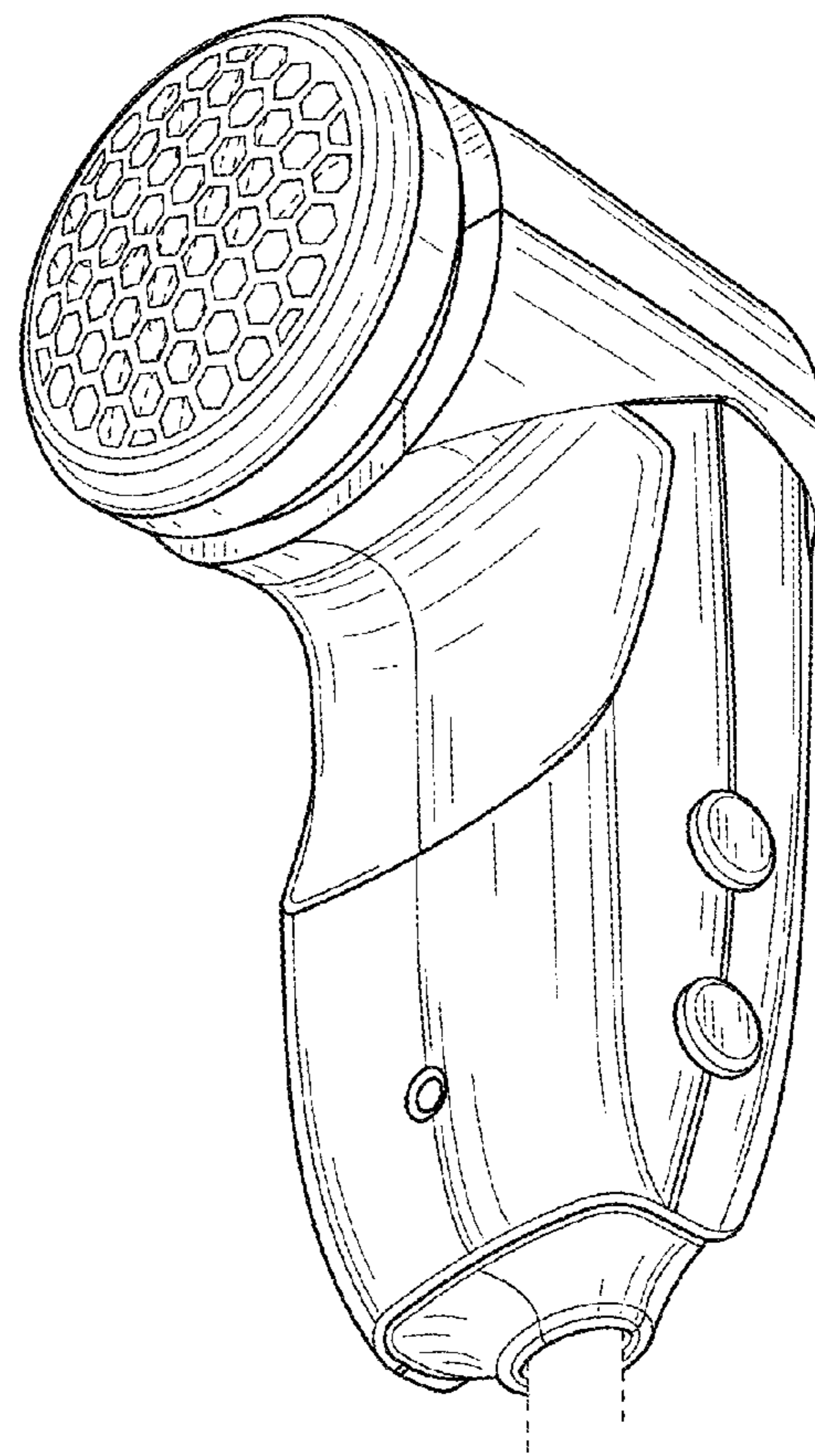


FIG. 2

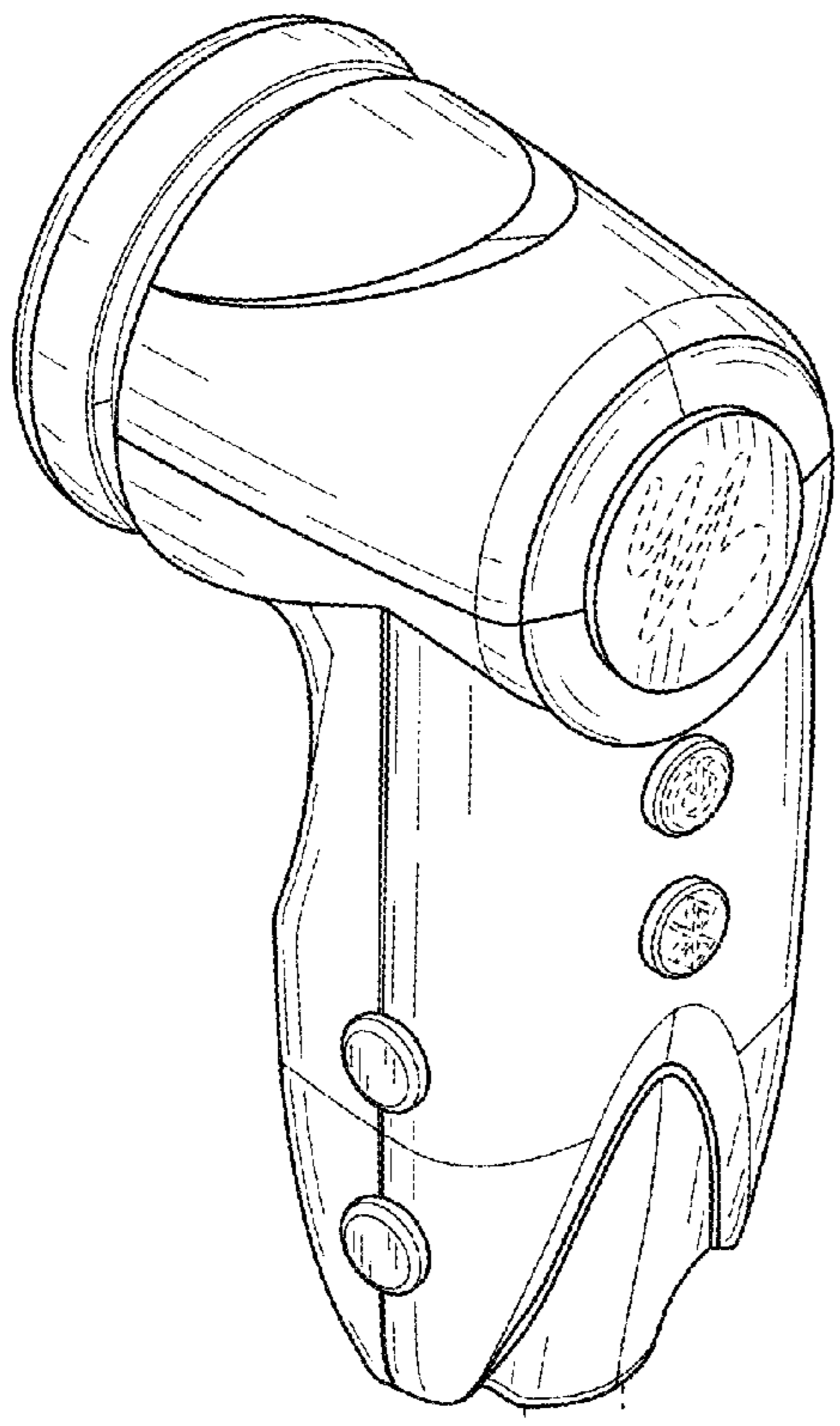


FIG. 3

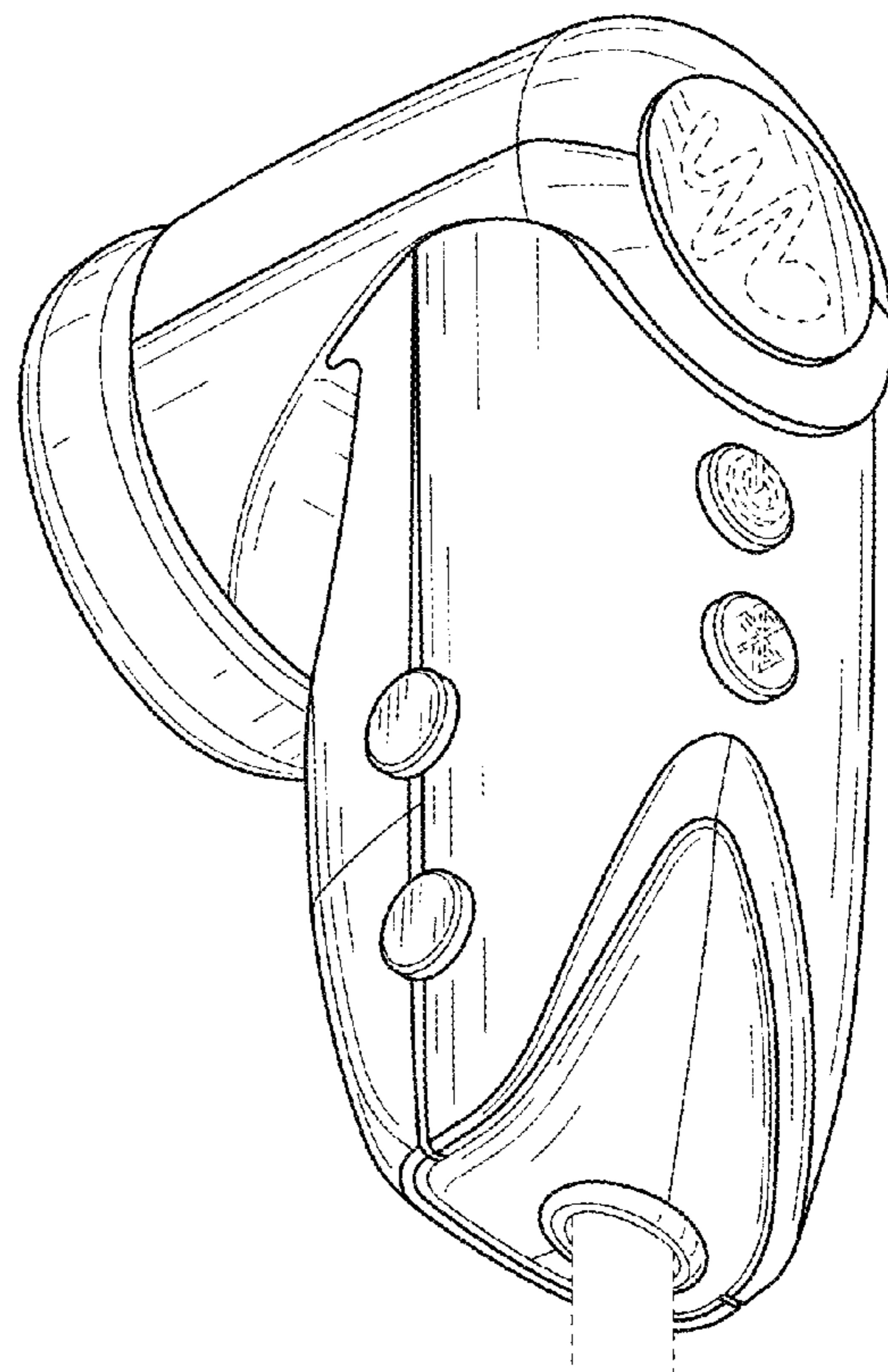


FIG. 4

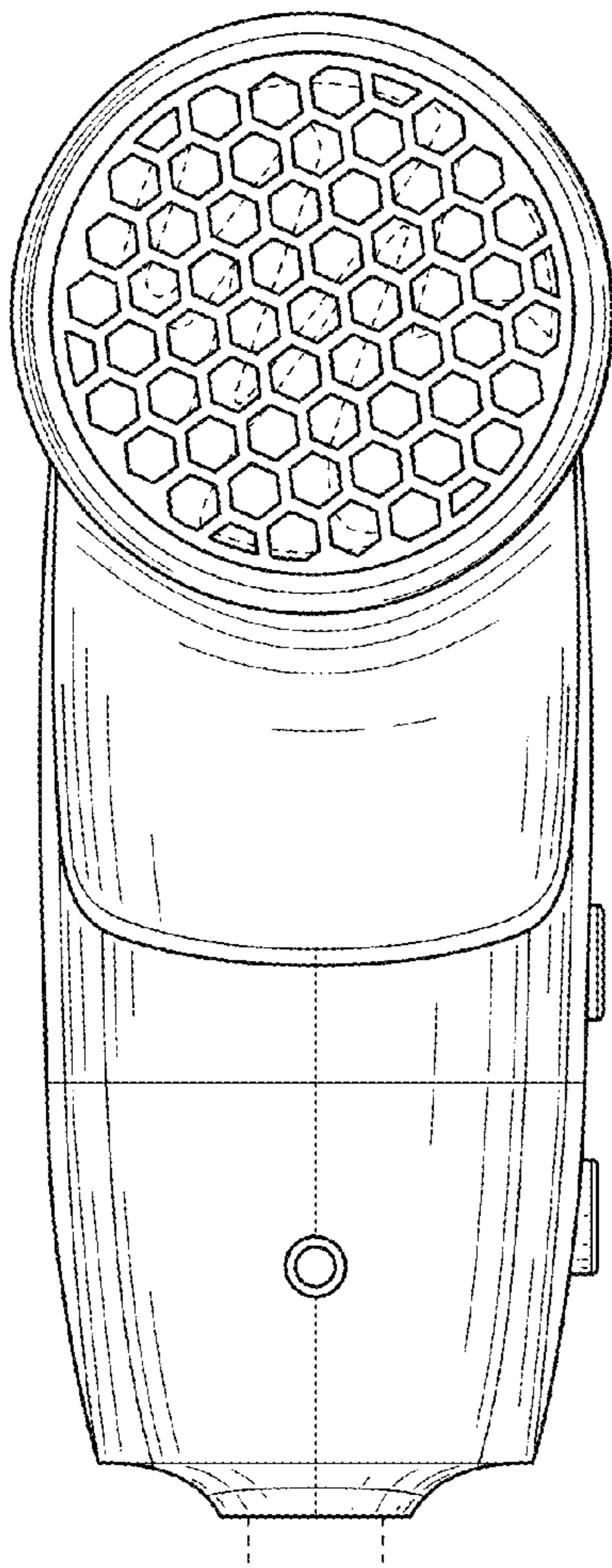


FIG. 5

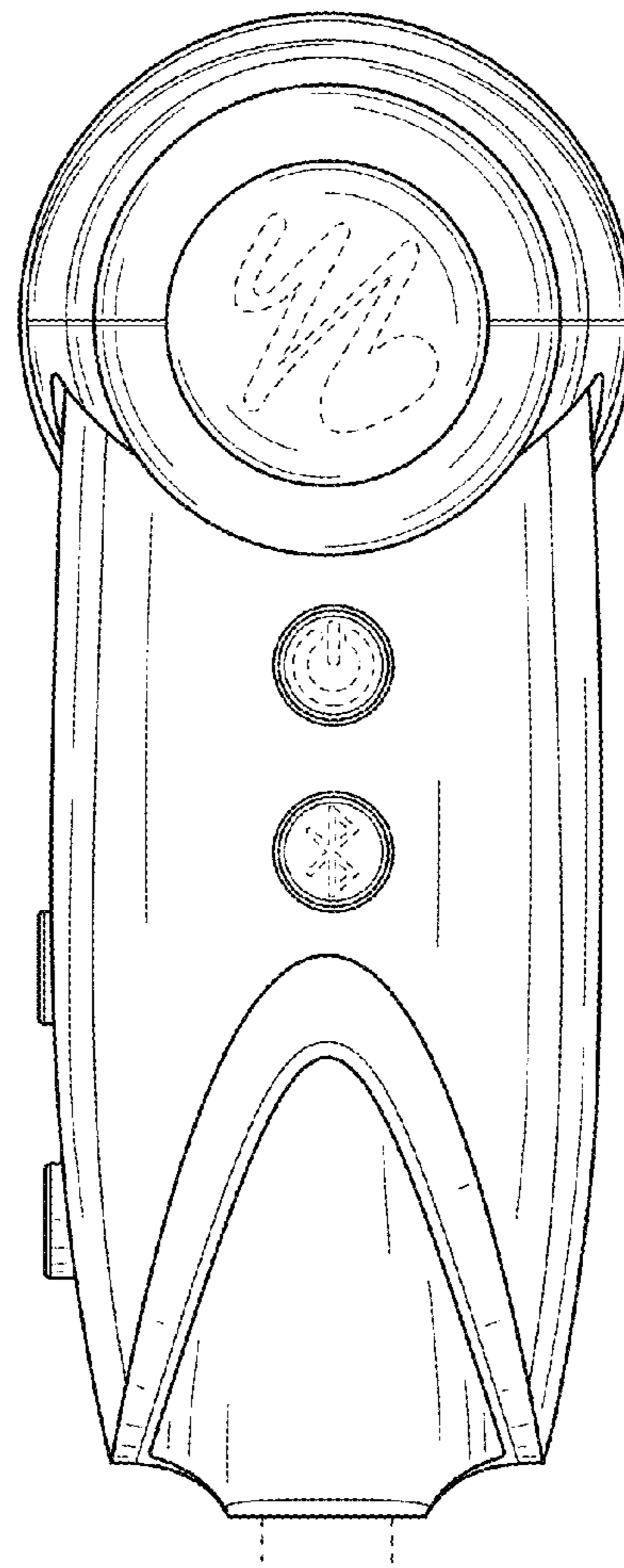


FIG. 6

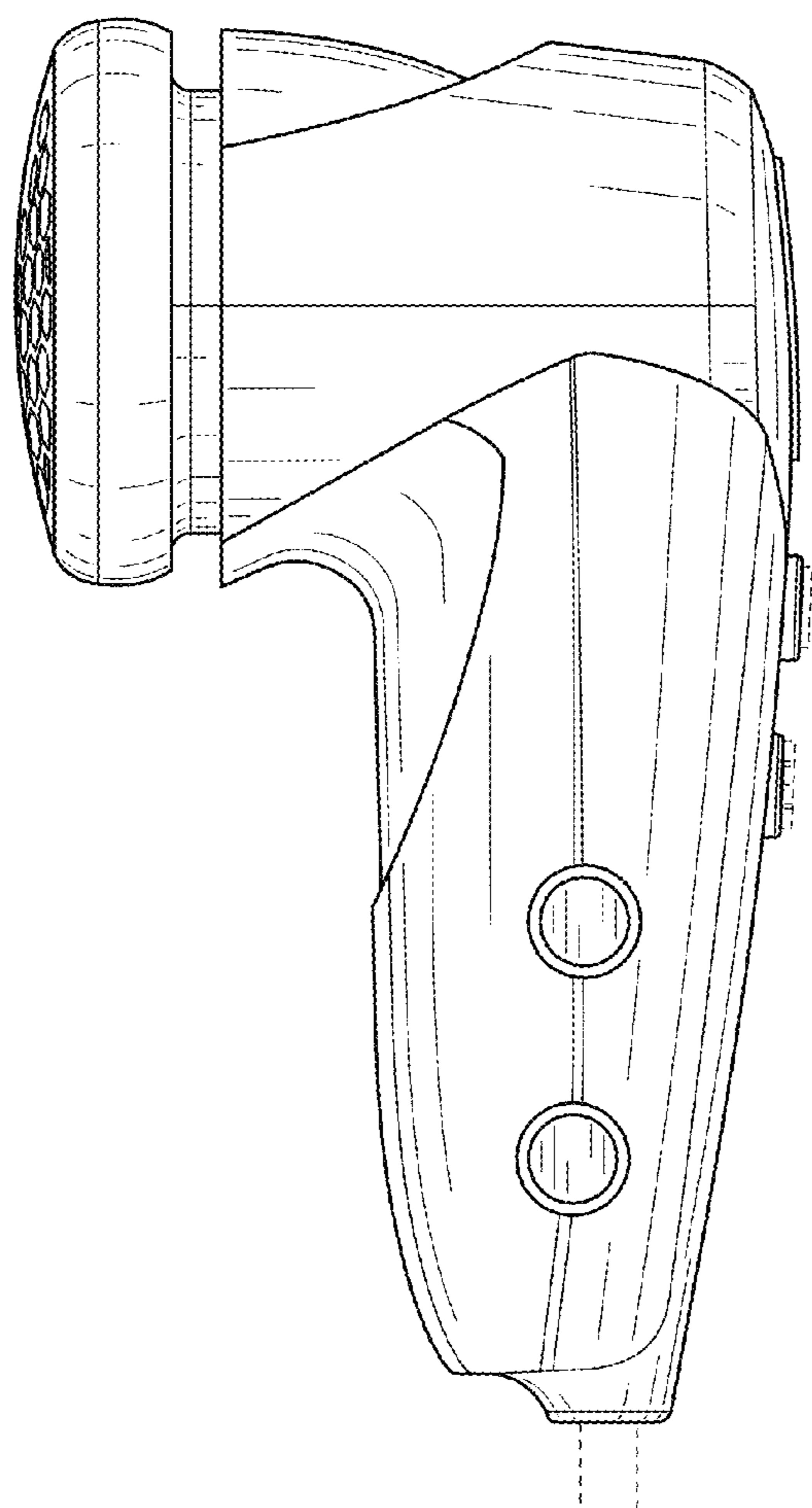


FIG. 7

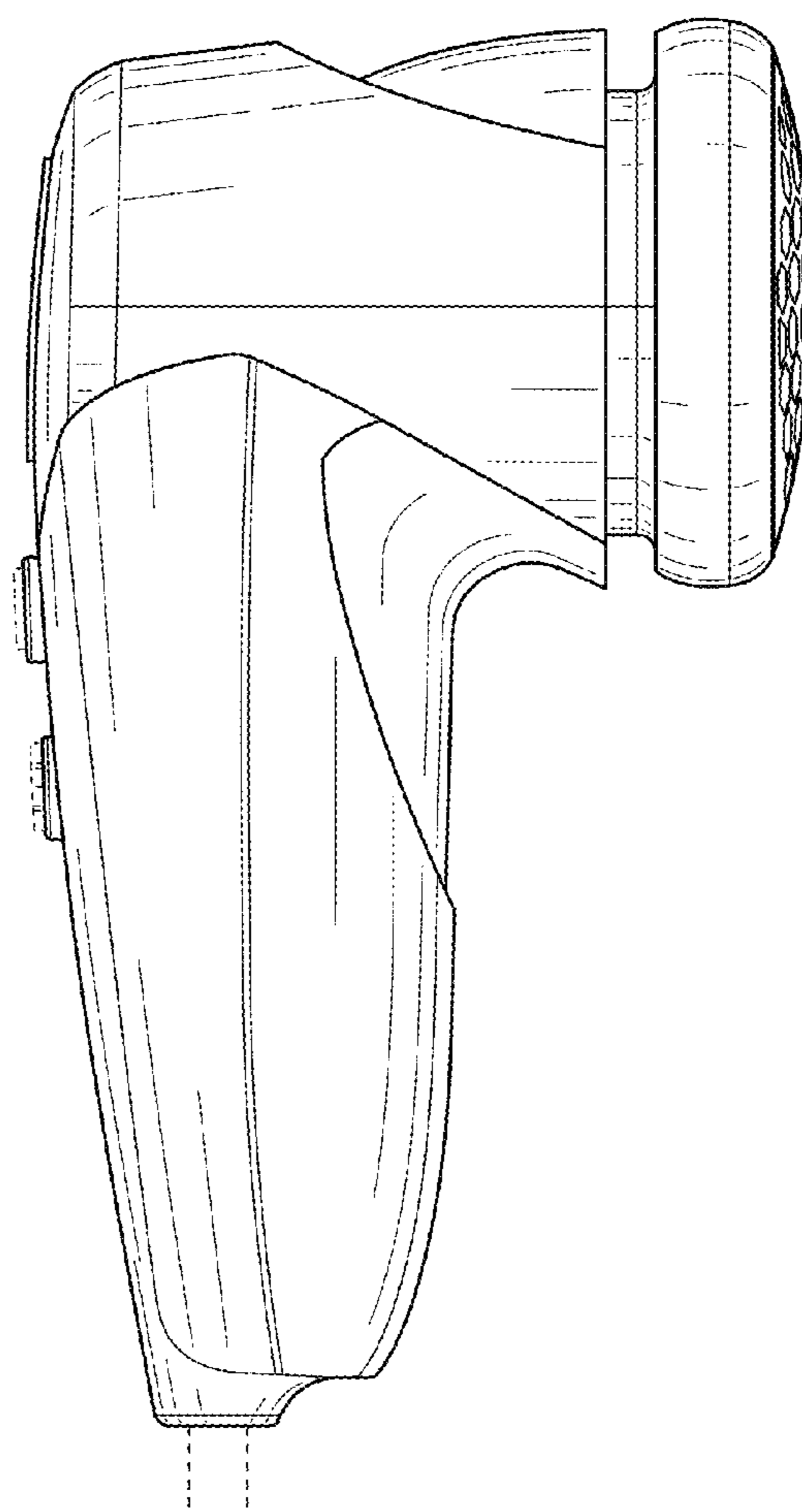


FIG. 8