



US00D725072S

(12) **United States Design Patent**
Kim et al.

(10) **Patent No.:** **US D725,072 S**
(45) **Date of Patent:** **** Mar. 24, 2015**

(54) **MOBILE PHONE**

(71) Applicant: **LG Electronics Inc.**, Seoul (KR)

(72) Inventors: **Dongsoon Kim**, Yongin-si (KR);
Seongjae Lim, Seoul (KR)

(73) Assignee: **LG Electronics Inc.**, Seoul (KR)

(**) Term: **14 Years**

(21) Appl. No.: **29/481,291**

(22) Filed: **Feb. 4, 2014**

(30) **Foreign Application Priority Data**

Aug. 5, 2013 (KR) 30-2013-0040356

(51) **LOC (10) Cl.** **14-03**

(52) **U.S. Cl.**
USPC **D14/138 R**; D14/344; D10/38

(58) **Field of Classification Search**
CPC H04B 1/03; H04B 1/385; G04G 17/083
USPC D14/140, 137, 138 R, 138 AB, 139, 155,
D14/191, 192, 203.1, 203.3, 203.4, 203.5,
D14/203.7, 248, 226, 218, 144, 240, 344,
D14/440, 341, 346, 448, 450, 496;
D10/30-39, 70, 65, 78, 104.1, 104.2,
D10/125; D11/3-5, 12, 19, 25; D13/168;
D8/354, 366, 402, 499; D3/215;
D15/199; 381/364, 151; 379/433.1;
455/575.1, 556.1, 556.2, 558, 575.3,
455/575.4, 575.6, 90.3; 368/10, 13, 69,
368/223; D21/329; D24/167

See application file for complete search history.

(56) **References Cited**

U.S. PATENT DOCUMENTS

D112,797 S * 1/1939 Stegeman, Jr. D10/38
D217,012 S * 3/1970 Cowan D10/38
D262,318 S * 12/1981 Koshino D24/165

D279,671 S * 7/1985 Stanton D14/192
D327,226 S * 6/1992 Kim D10/78
5,218,577 A * 6/1993 Seager 368/10
5,274,613 A * 12/1993 Seager 368/13
D360,839 S * 8/1995 Kim D10/78
5,499,292 A * 3/1996 Blonder et al. 379/433.1
D386,094 S * 11/1997 Ventrella D10/30
5,687,732 A * 11/1997 Inagaki et al. 600/485
D410,854 S * 6/1999 Cheung et al. D10/39
D419,078 S * 1/2000 Bonnett D10/30
D444,395 S * 7/2001 Upton D10/30

(Continued)

OTHER PUBLICATIONS

Asus Zenwatch. digitaltrends.com [online] 6 pages. Uploaded Aug. 27, 2014 [retrieved on Oct. 9, 2014]. Retrieved from Internet: <http://www.digitaltrends.com/mobile/asus-smartwatch-android-wear-news/>.*

(Continued)

Primary Examiner — Susan Bennett Hattan

Assistant Examiner — Marie Fast Horse

(74) *Attorney, Agent, or Firm* — Birch, Stewart, Kolasch & Birch, LLP

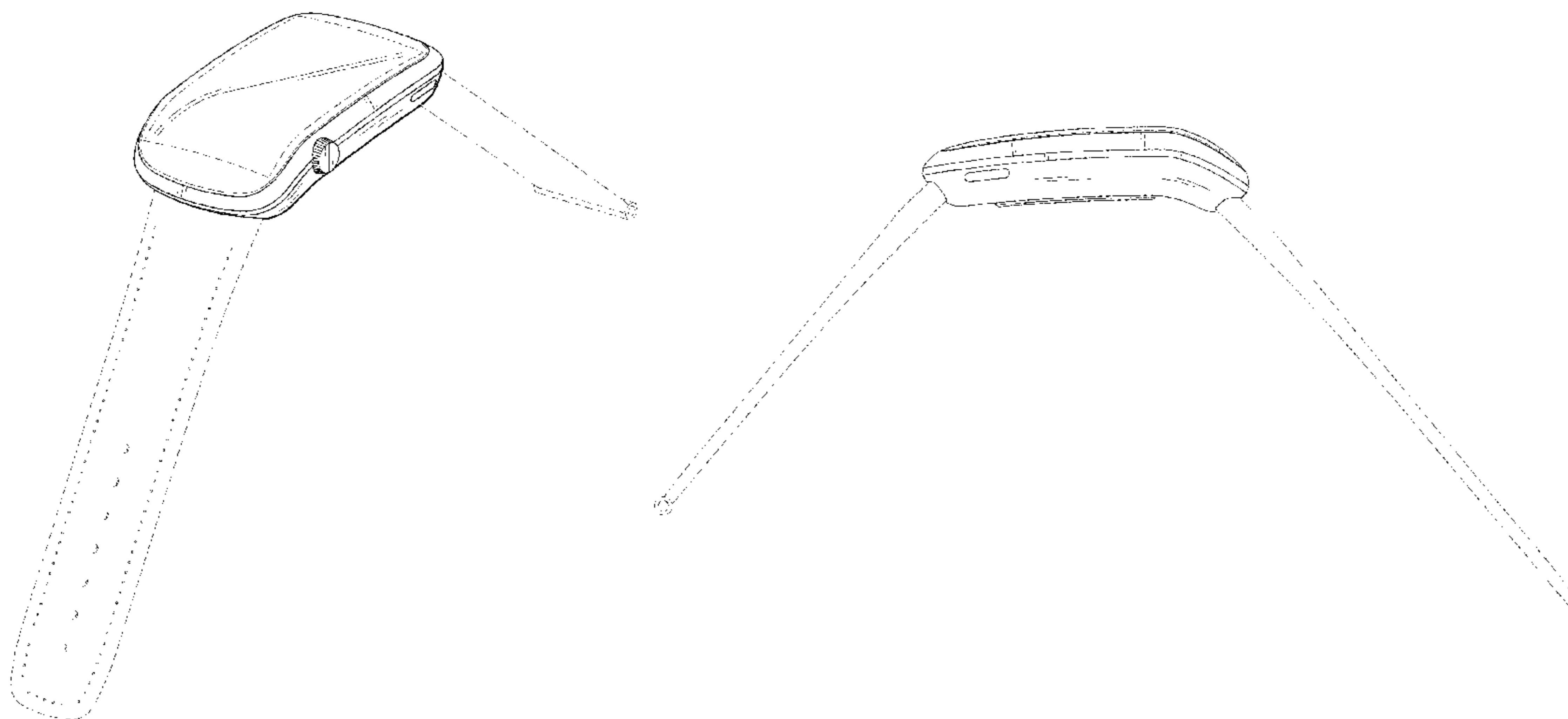
(57) **CLAIM**

The ornamental design for a mobile phone, as shown and described.

DESCRIPTION

FIG. 1 is a perspective view of a mobile phone showing our new design;
FIG. 2 is a front view thereof;
FIG. 3 is a rear view thereof;
FIG. 4 is a left side view thereof;
FIG. 5 is a right side view thereof;
FIG. 6 is a top plan view thereof; and,
FIG. 7 is a bottom plan view thereof.
The broken lines depict portions of the mobile phone that form no part of the claimed design.

1 Claim, 7 Drawing Sheets



(56)

References Cited

U.S. PATENT DOCUMENTS

D448,485 S * 9/2001 Nalbandian et al. D24/165
 D460,430 S * 7/2002 Wada et al. D14/138 R
 D463,296 S * 9/2002 Sanomi D10/39
 D466,879 S * 12/2002 Wada et al. D14/138 R
 6,564,075 B1 * 5/2003 Mitamura 455/575.1
 6,707,764 B2 * 3/2004 Davidson et al. 368/13
 6,757,390 B2 * 6/2004 Ito et al. 379/433.1
 D525,710 S * 7/2006 Kobayashi et al. D24/165
 D528,440 S * 9/2006 Lovegrove D10/38
 D543,192 S * 5/2007 Jung D14/138 R
 D544,373 S * 6/2007 Chodat D10/32
 D550,105 S * 9/2007 Oberrieder et al. D10/65
 D560,520 S * 1/2008 Oberrieder et al. D10/65
 D561,340 S * 2/2008 Kitamura et al. D24/165
 D568,768 S * 5/2008 Tang D10/30
 7,529,155 B2 * 5/2009 Fasciano 368/10
 7,575,368 B2 * 8/2009 Guillaume 368/282
 D621,818 S * 8/2010 Johnson D14/225
 D623,965 S * 9/2010 Sullivan et al. D10/32
 D626,550 S * 11/2010 Julien D14/341
 D636,686 S * 4/2011 Cobbett et al. D10/38
 D662,921 S * 7/2012 Clements et al. D14/243
 D666,108 S * 8/2012 Chiang D10/38

D671,090 S * 11/2012 Birger D14/149
 D673,953 S * 1/2013 Li et al. D14/411
 D674,784 S * 1/2013 Choi D14/240
 D689,862 S * 9/2013 Liu D14/402
 D697,501 S * 1/2014 Fargeau D14/240
 D703,204 S * 4/2014 Riddiford et al. D14/344
 D705,673 S * 5/2014 Arellano D10/38
 D707,646 S * 6/2014 Kim et al. D14/138 G
 D709,476 S * 7/2014 Park et al. D14/138 R
 D712,286 S * 9/2014 Frenkler et al. D10/70
 2002/0105859 A1 * 8/2002 Davidson et al. 368/13
 2004/0209657 A1 * 10/2004 Ghassabian 455/575.1
 2008/0043575 A1 * 2/2008 Fasciano 368/13
 2011/0275906 A1 * 11/2011 Chen 600/301
 2013/0261405 A1 * 10/2013 Lee et al. 600/301
 2014/0218852 A1 * 8/2014 Alcazar 361/679.03

OTHER PUBLICATIONS

Wrist type mobile devices 004 (1/8-Designs-© Questel). orbit.com [online] 18 pages. Uploaded range from 1998-2014 [retrieved on Sep. 14, 2014]. Retrieved from Internet: <<http://www6.orbit.com/index.html?ticket=4ef8f373-06fd-4279-b89a-b1b910601740&locale=en#DesignListPage>>.*

* cited by examiner

FIG. 1

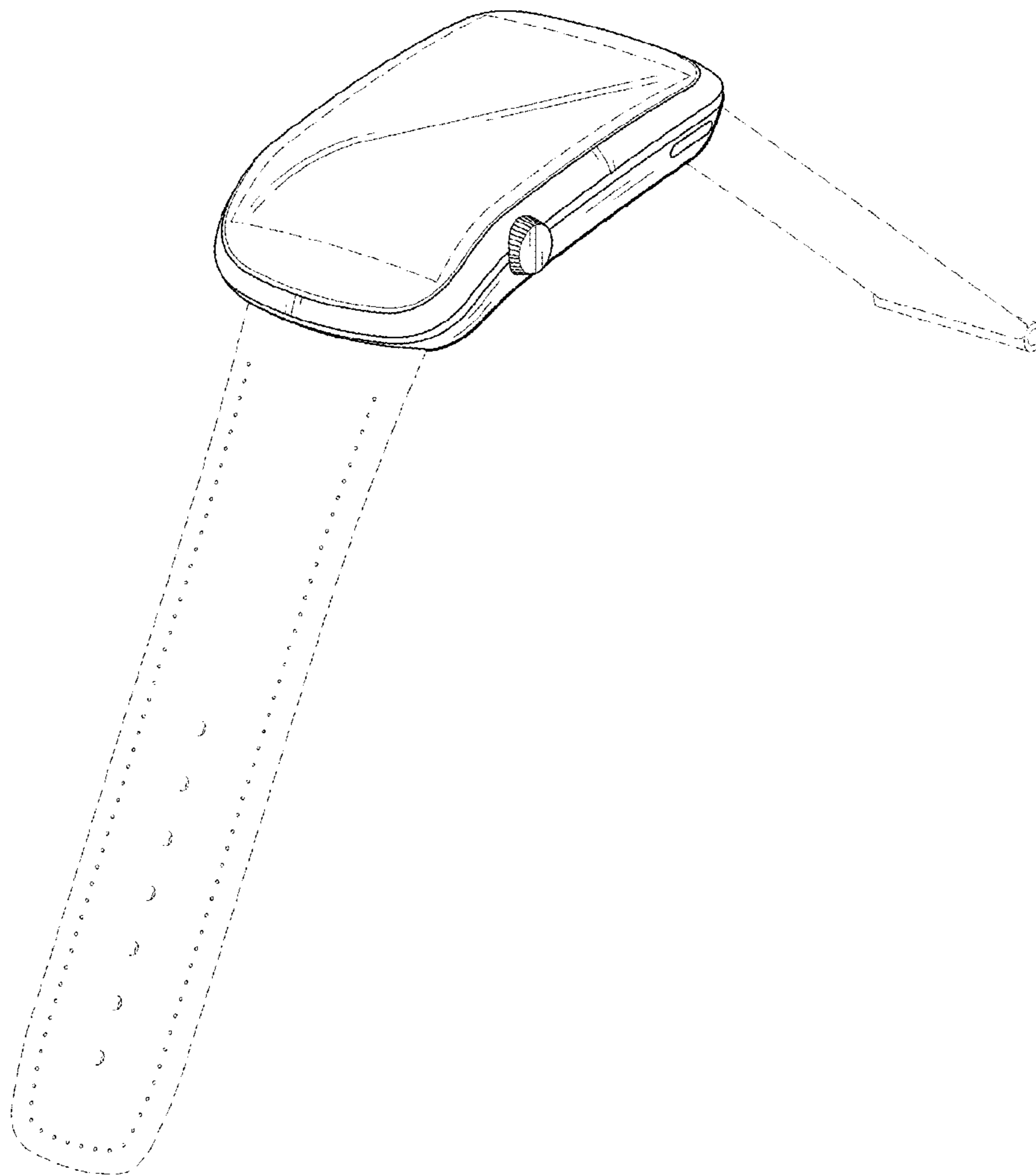


FIG. 2

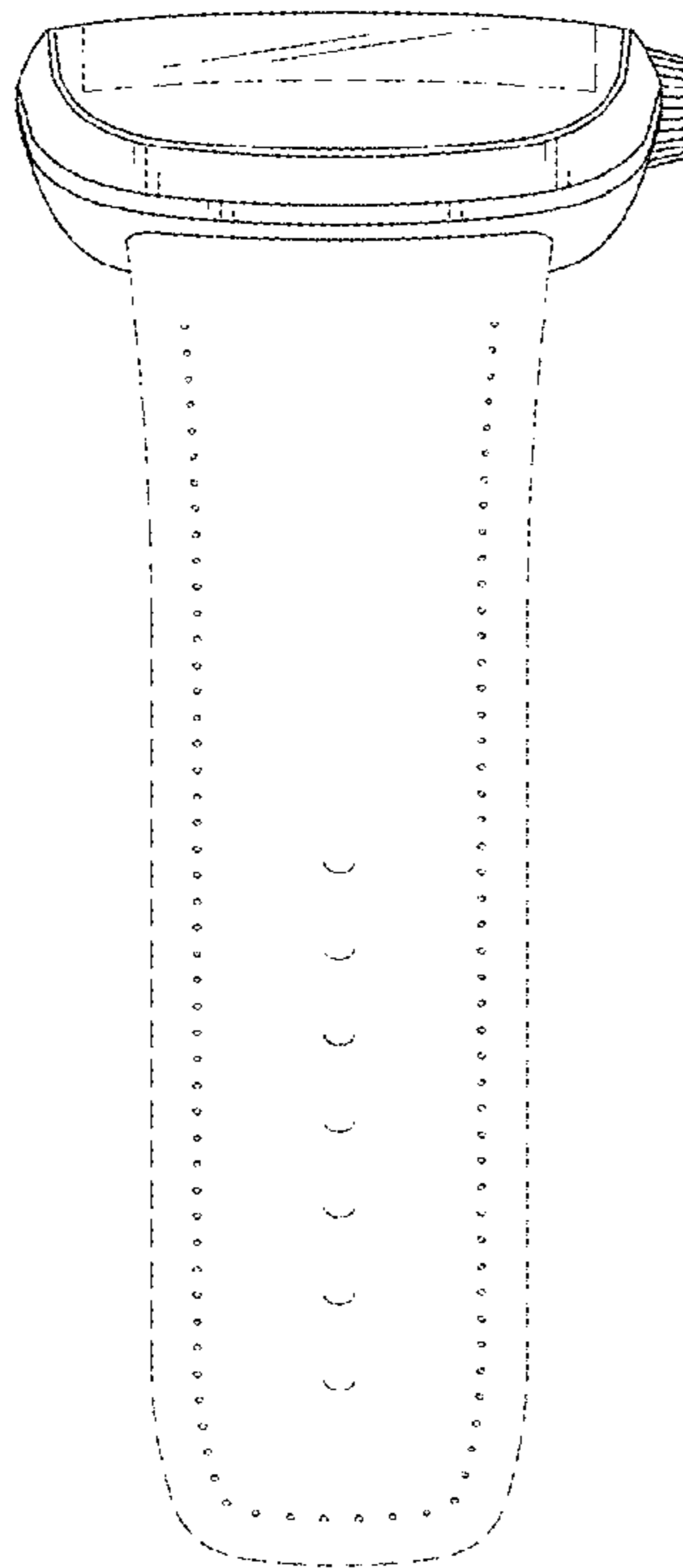


FIG. 3

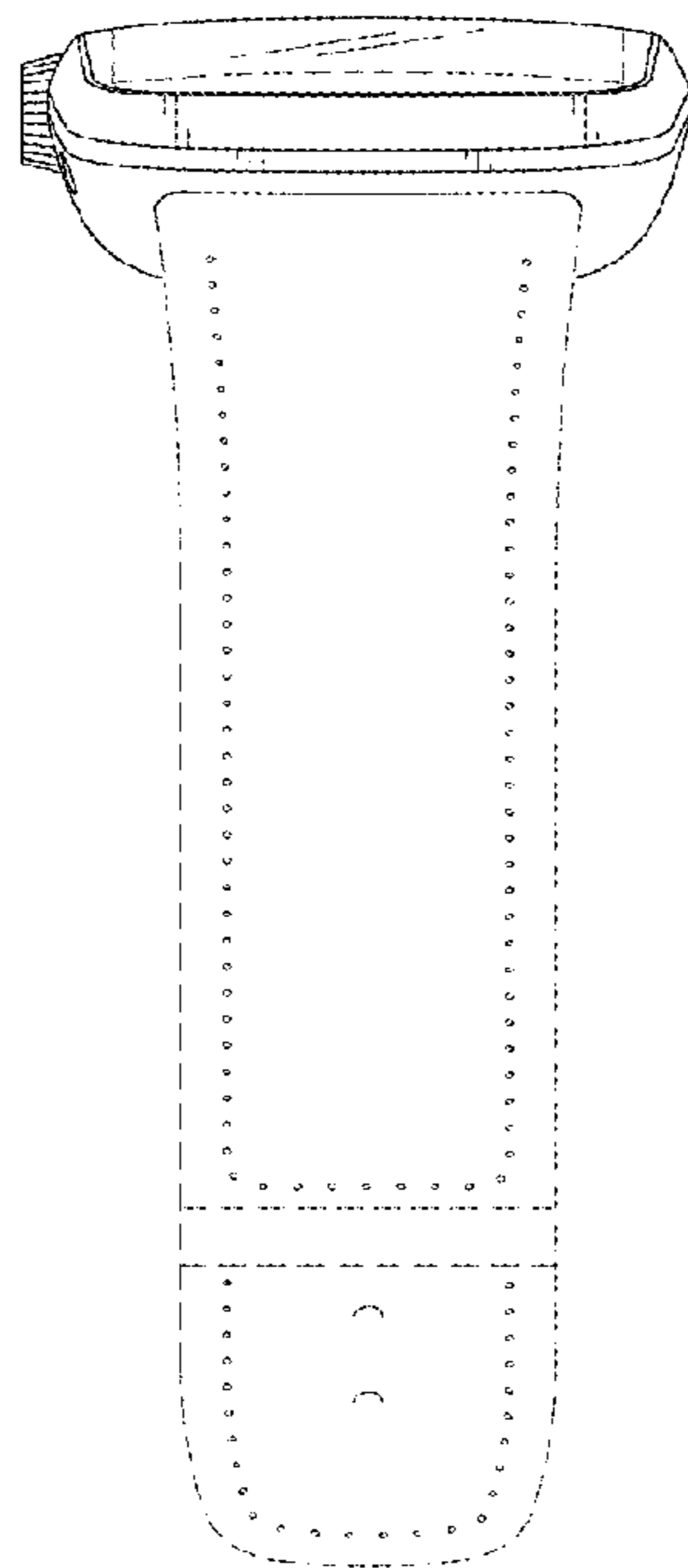


FIG. 4

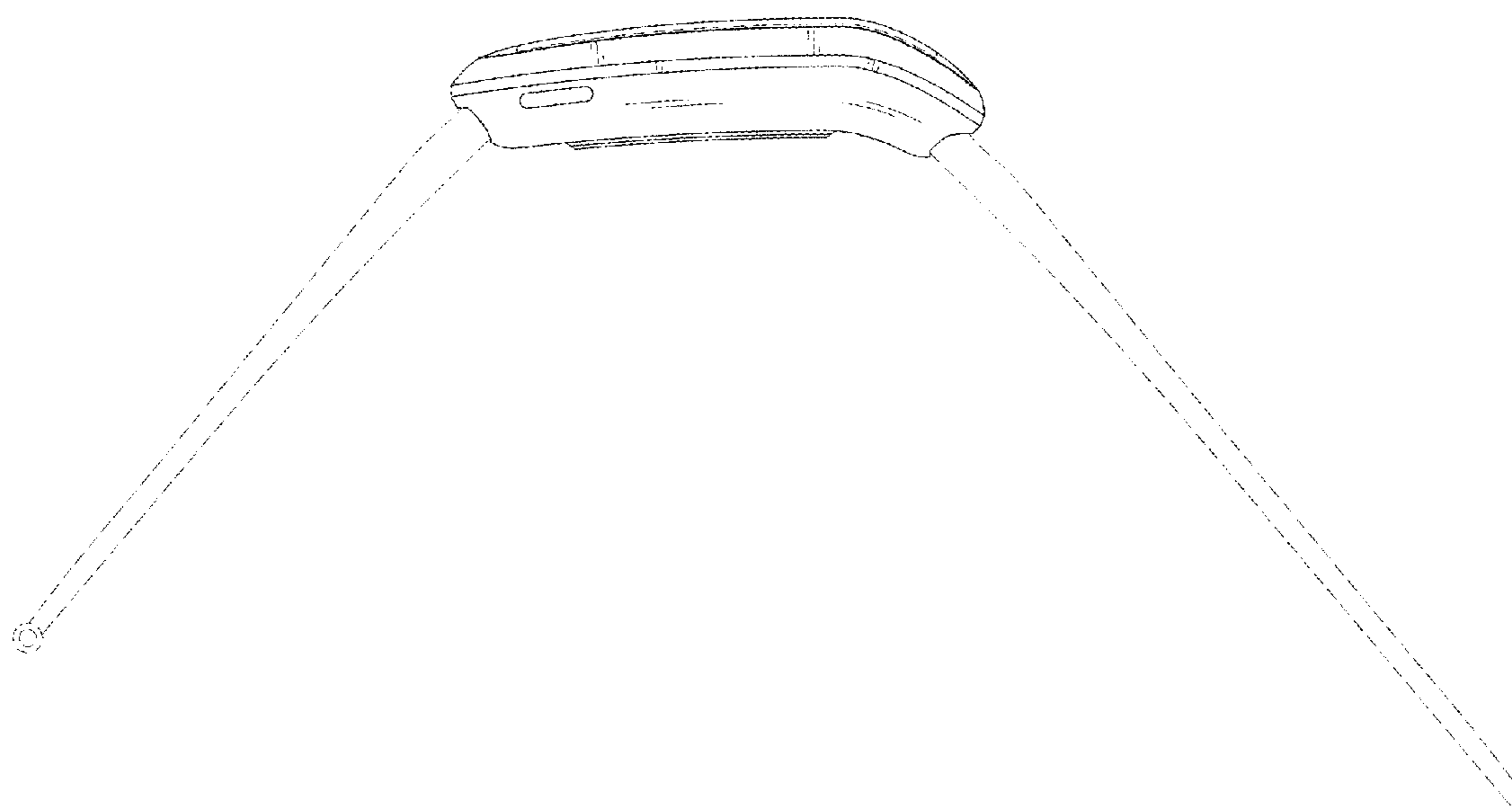


FIG. 5

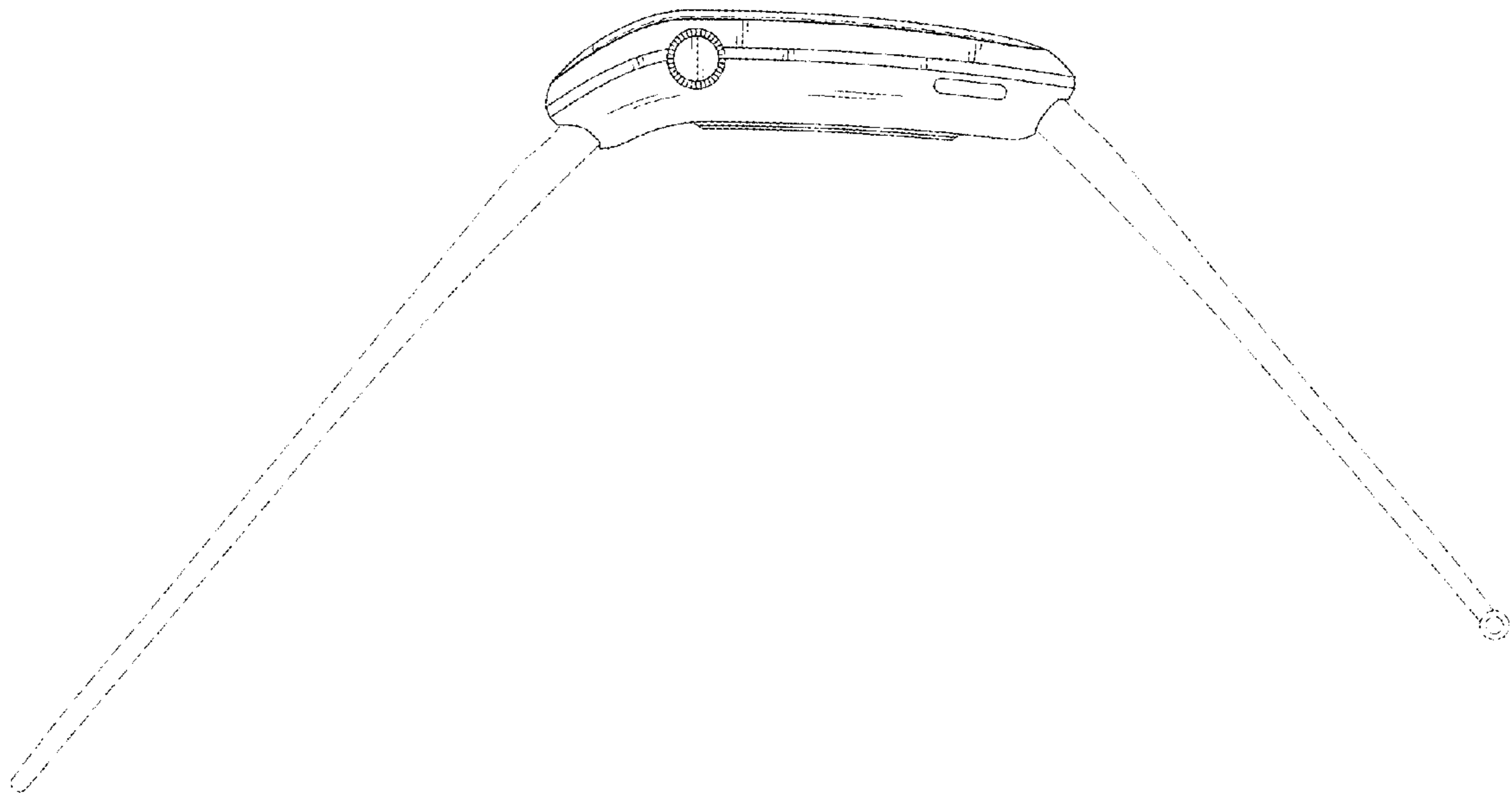


FIG. 6

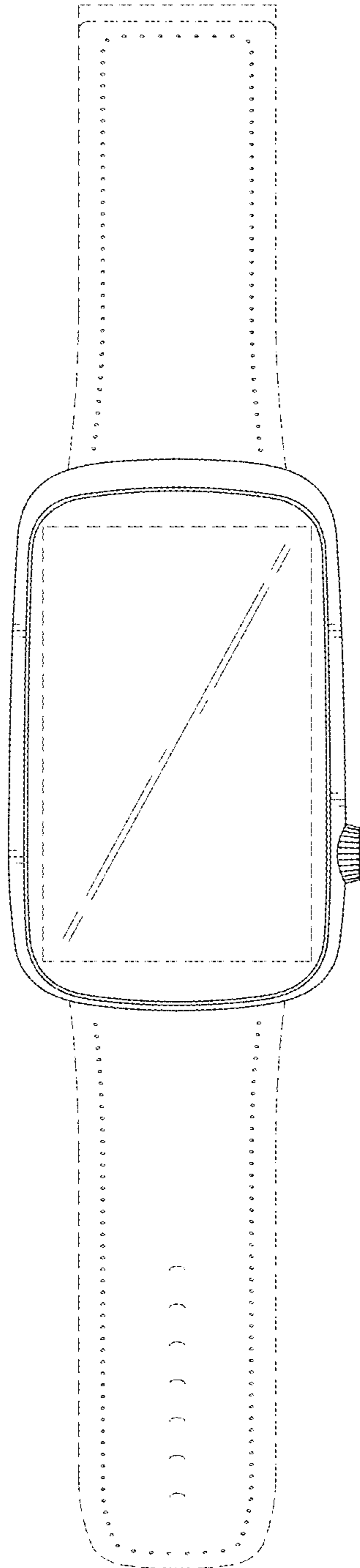


FIG. 7

