



US00D725061S

(12) **United States Design Patent**
Kim et al.

(10) **Patent No.:** **US D725,061 S**
(45) **Date of Patent:** **** Mar. 24, 2015**

(54) **TELEVISION RECEIVER**

(56) **References Cited**

(71) Applicant: **Samsung Electronics Co., Ltd.**,
Suwon-si (KR)
(72) Inventors: **Hee Bong Kim**, Gimpo-si (KR); **Young
Soo Hong**, Goyang-si (KR)
(73) Assignee: **Samsung Electronics Co., Ltd.**,
Suwon-si (KR)
(**) Term: **14 Years**
(21) Appl. No.: **29/484,697**
(22) Filed: **Mar. 12, 2014**
(30) **Foreign Application Priority Data**

U.S. PATENT DOCUMENTS

D554,599 S * 11/2007 Otsuka et al. D14/126
D645,430 S * 9/2011 Shih D14/126
D682,799 S * 5/2013 Hwang Bo et al. D14/126
D689,033 S * 9/2013 Hwangbo et al. D14/126
D692,844 S * 11/2013 Seong D14/126
D709,467 S * 7/2014 Jiang et al. D14/126
D709,468 S * 7/2014 Seo et al. D14/126

* cited by examiner

Primary Examiner — Raphael Barkai
(74) *Attorney, Agent, or Firm* — NSIP Law

(57) **CLAIM**

We claim the ornamental design for a television receiver, as shown and described.

DESCRIPTION

Sep. 30, 2013 (KR) 30-2013-0049655
(51) **LOC (10) Cl.** **14-03**
(52) **U.S. Cl.**
USPC **D14/126**
(58) **Field of Classification Search**
CPC ... G06F 1/1601; G06F 1/1643; H05K 5/0004;
H05K 5/0017; H05K 5/02; H05K 5/0217
USPC D14/125–134, 239, 371, 136, 374–377,
D14/440, 450, 448, 336, 342, 159; 312/7.2;
348/836, 838, 180, 184, 325, 739;
248/917–924, 465; 345/104, 133, 156,
345/168, 87, 173; D21/329, 515, 577, 622,
D21/333, 433, 448, 452, 450, 331, 505;
D10/15, 26; 446/484, 175, 356;
D6/477, 479, 300

FIG. 1 is a front perspective view of a television receiver showing our new design;
FIG. 2 is a front view thereof;
FIG. 3 is a rear view thereof;
FIG. 4 is a left-side view thereof;
FIG. 5 is a right-side view thereof;
FIG. 6 is a top view thereof;
FIG. 7 is a bottom view thereof;
FIG. 8 is a rear perspective view thereof; and,
FIG. 9 is an enlarged cross-section view of the encircled portion in FIG. 5.
The dot-dash broken lines encircling a portion of the claimed design that is illustrated in an enlargement form no part of the claimed design.

See application file for complete search history.

1 Claim, 9 Drawing Sheets

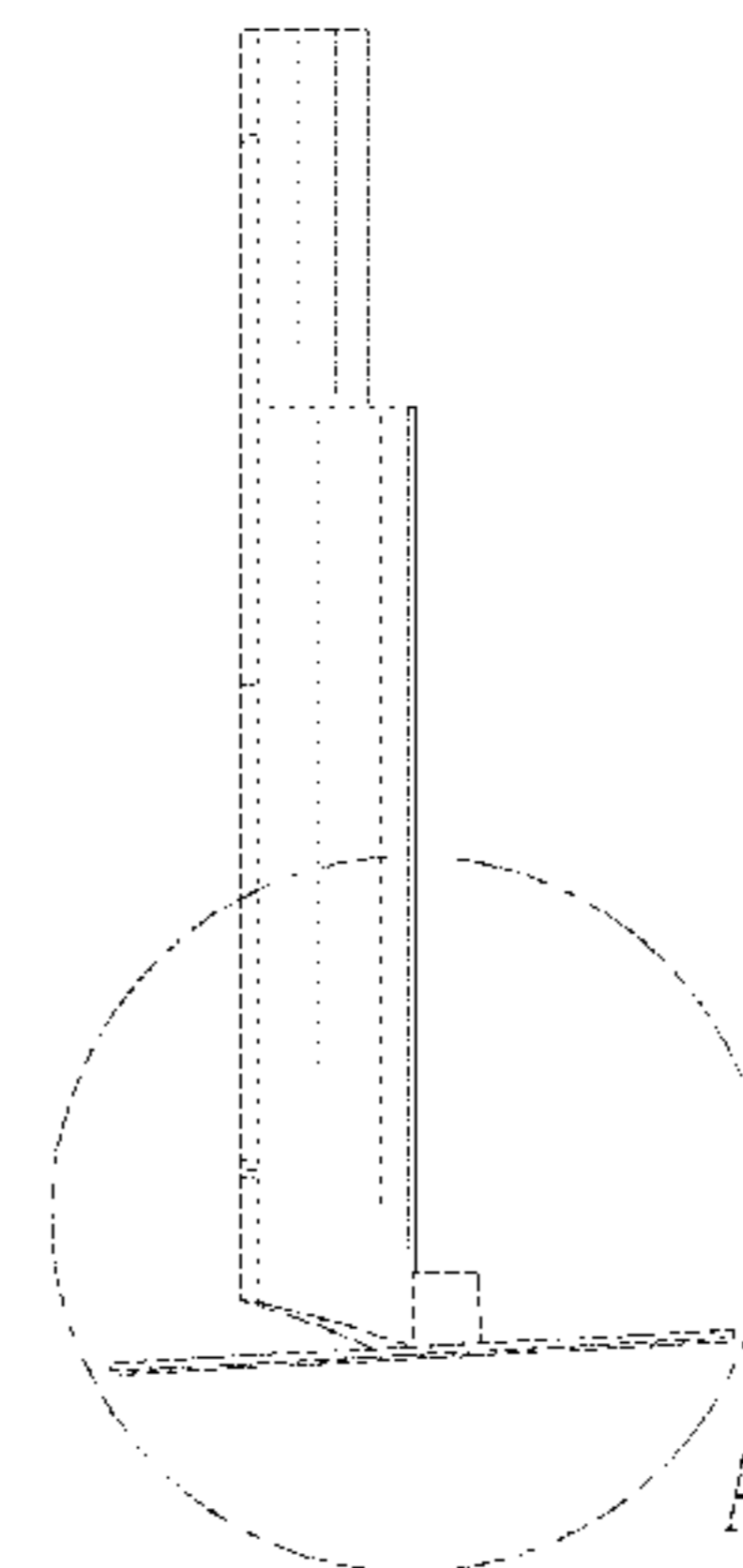
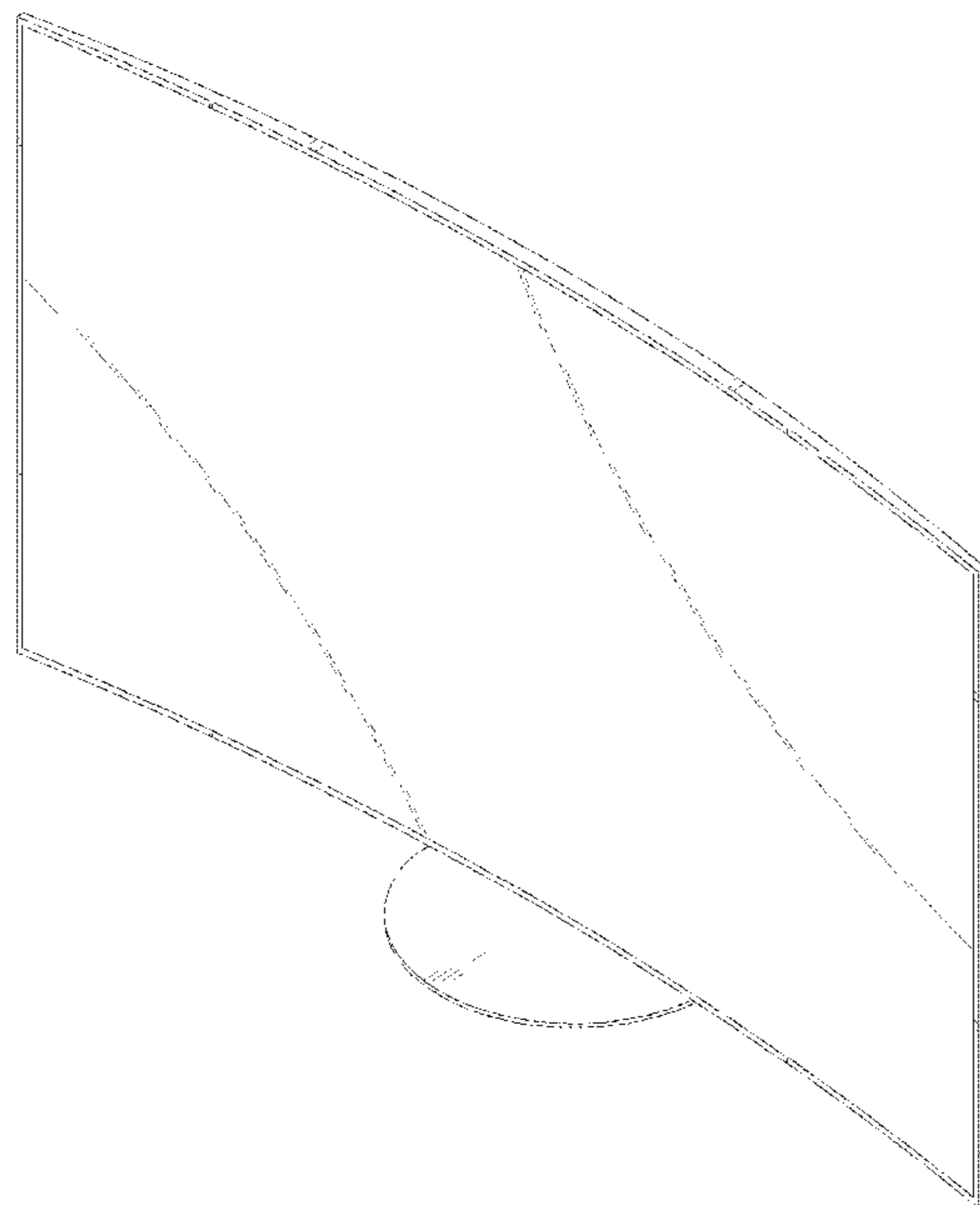


Fig. 1

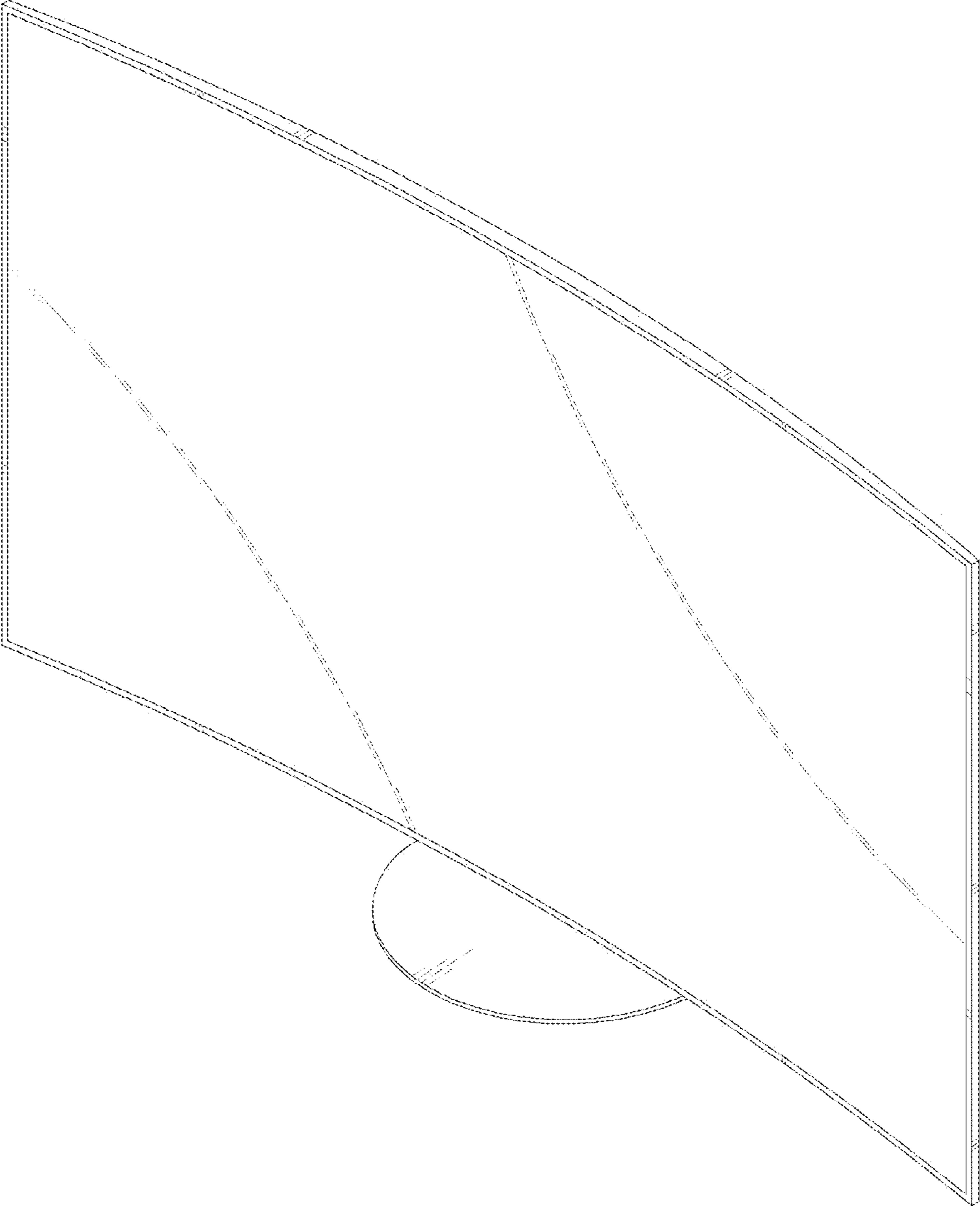


Fig. 2

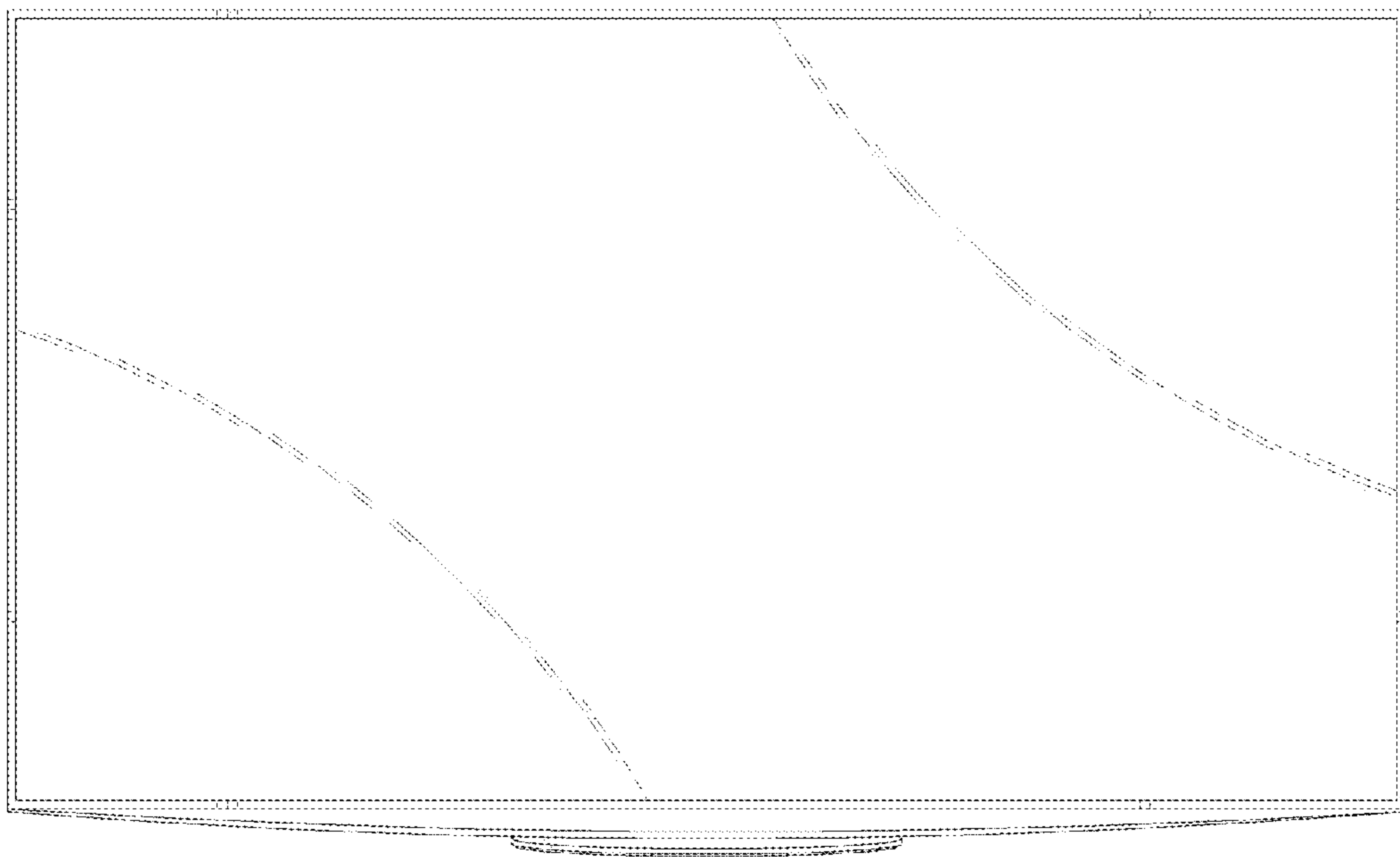


Fig. 3

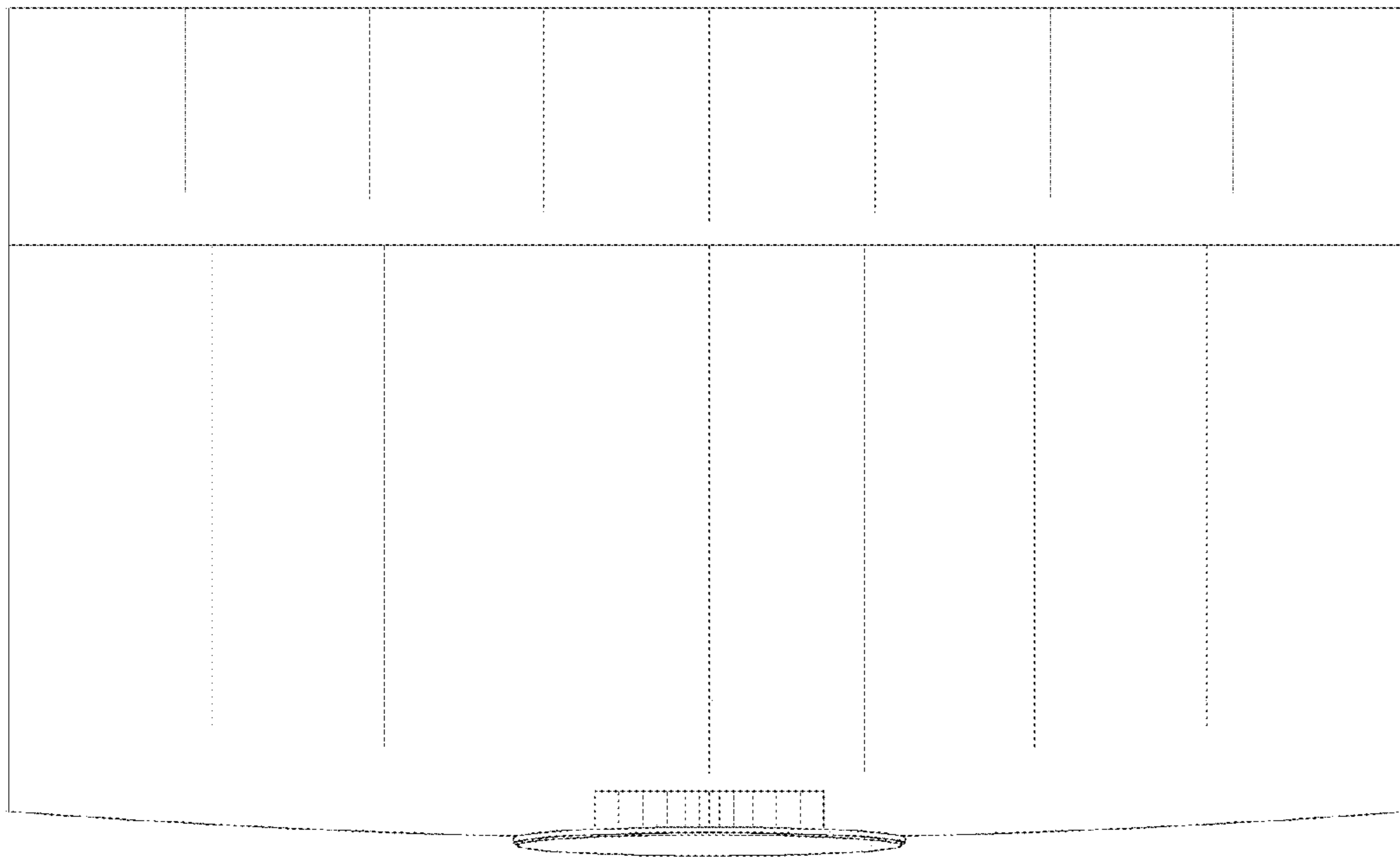


Fig. 4

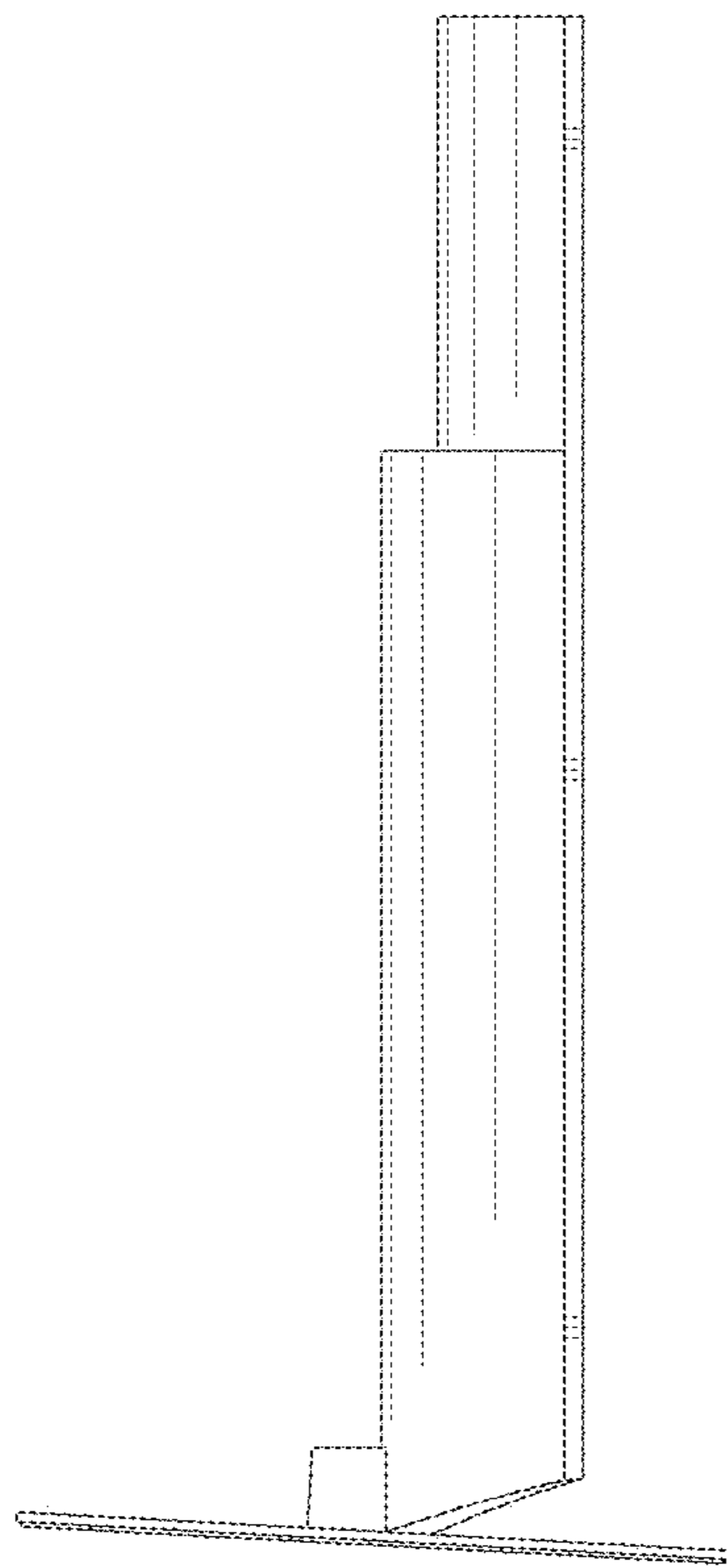


Fig. 5

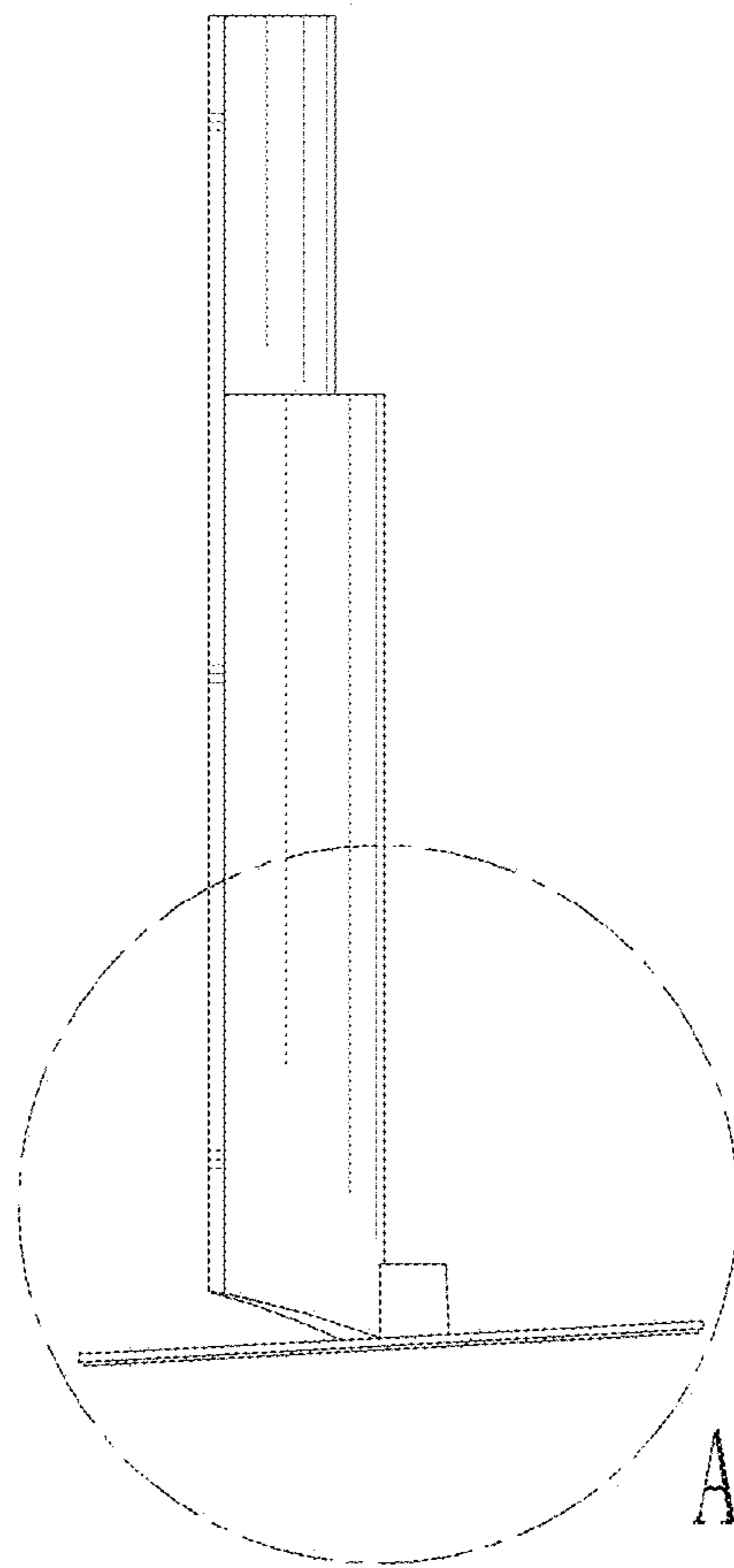


Fig. 6

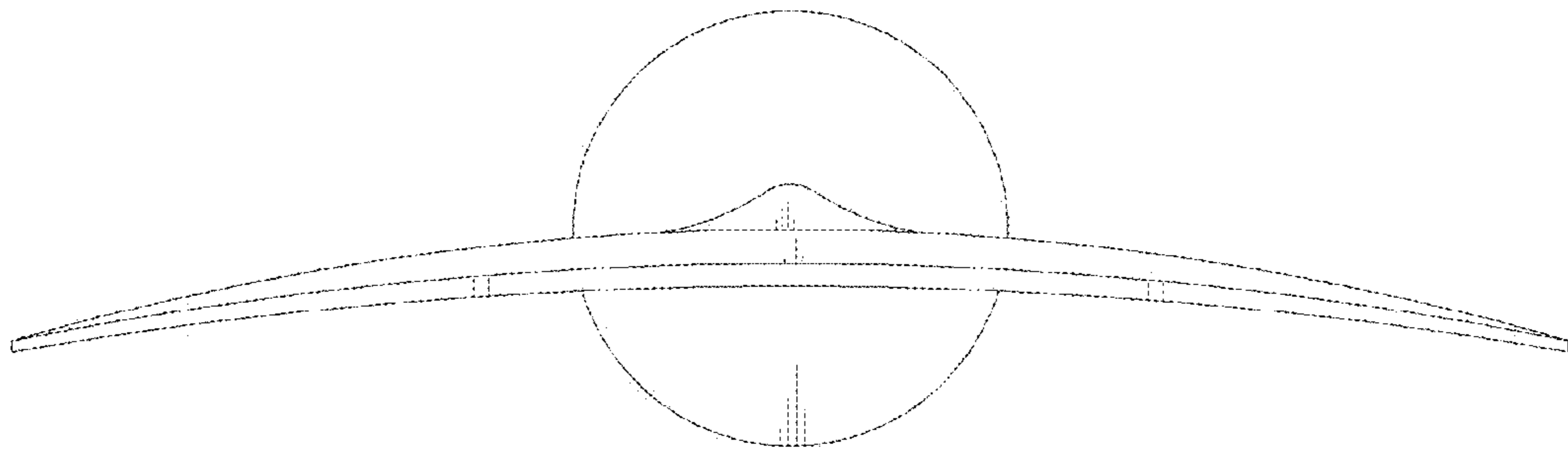


Fig. 7

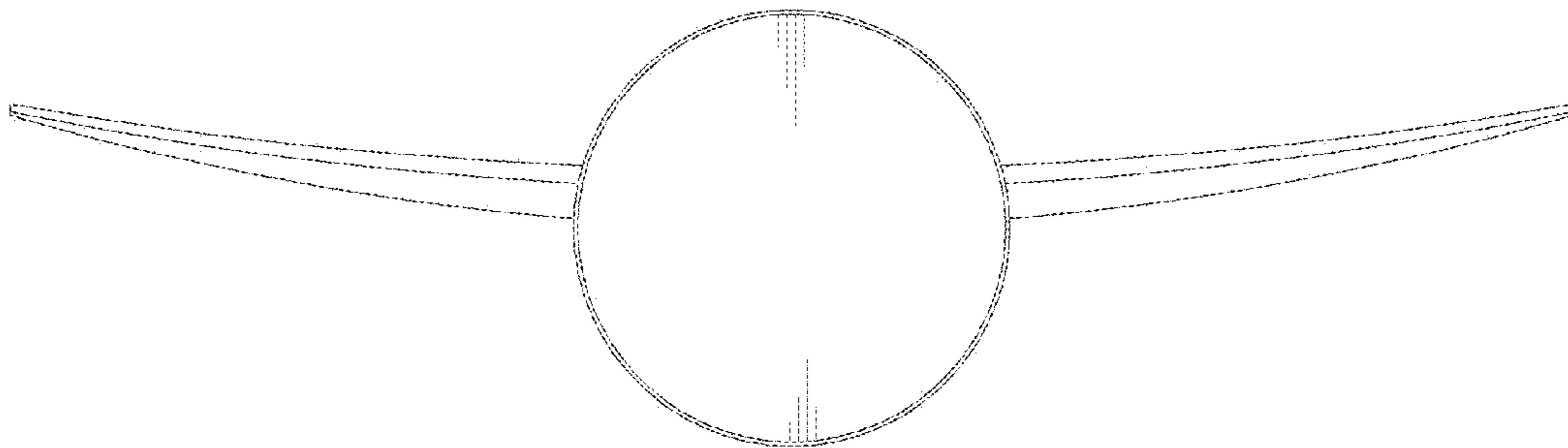


Fig. 8

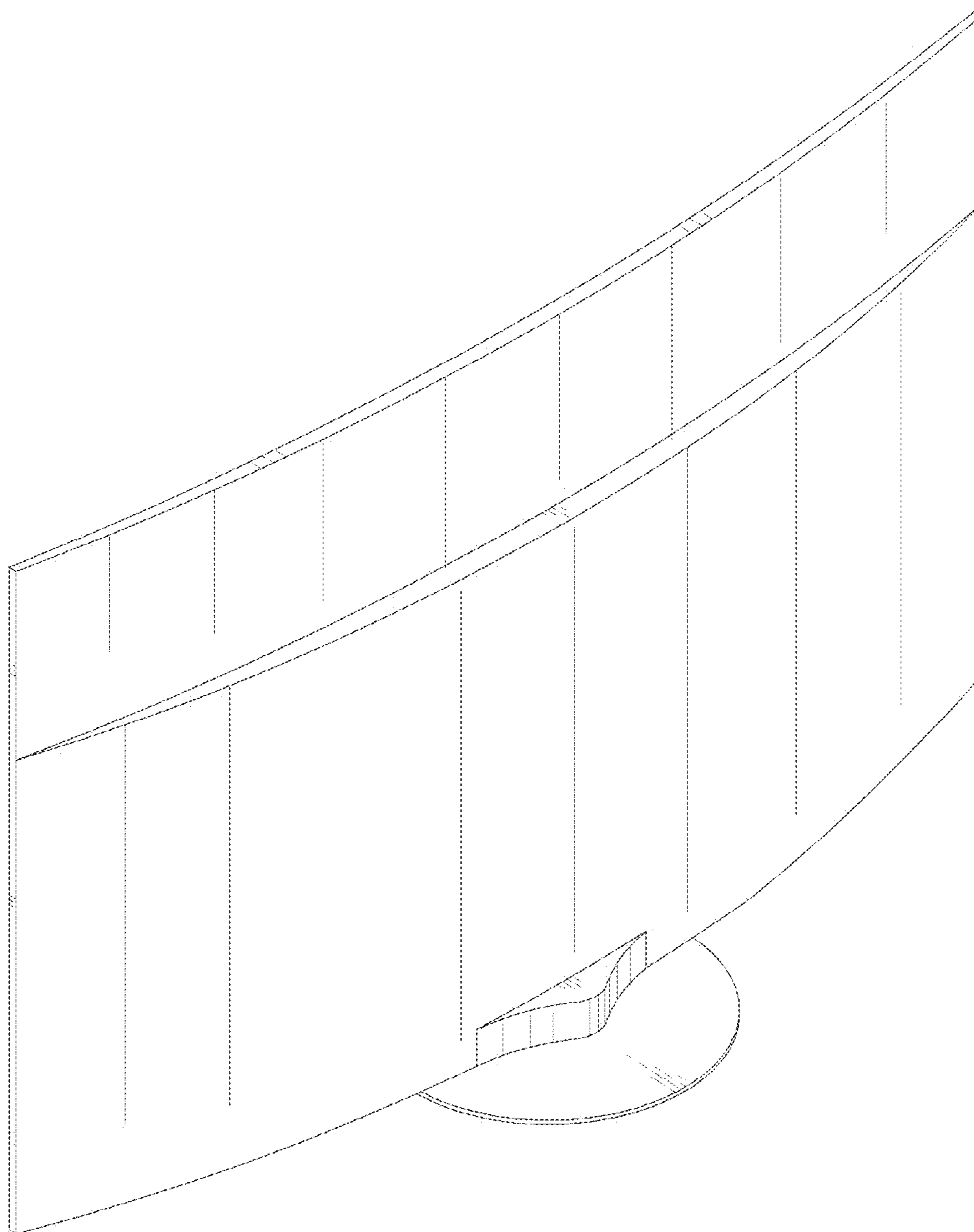


Fig. 9

