



US00D725060S

(12) **United States Design Patent**
Lam et al.

(10) **Patent No.:** **US D725,060 S**
(45) **Date of Patent:** **** Mar. 24, 2015**

(54) **DISPLAY**

- (71) Applicant: **Tongfang Global Limited**, Shenzhen (CN)
- (72) Inventors: **Th Lam**, Shenzhen (CN); **Christopher Ng**, Shenzhen (CN); **Wen-Sheng Lu**, Shenzhen (CN); **Yuen-Ming Ng**, Shenzhen (CN); **Yu-Ping Li**, Shenzhen (CN); **Di-Xing Liu**, Shenzhen (CN)
- (73) Assignee: **Tongfang Global Limited**, Shenzhen (CN)
- (**) Term: **14 Years**
- (21) Appl. No.: **29/450,417**
- (22) Filed: **Mar. 18, 2013**
- (51) **LOC (10) Cl.** **14-03**
- (52) **U.S. Cl.**
USPC **D14/126**
- (58) **Field of Classification Search**
USPC D14/126, 127, 128, 129, 239, 371, 136, D14/341, 375; 312/7.2; 348/836, 838, 180, 348/184, 325, 739; 341/12; 248/917-924, 248/465; 345/104, 133, 156, 168, 87, 173; 720/605, 600, 655; 455/347; 273/148 B; 229/926, 904, 74, 80.5; D20/11, 17, 27, 39, 40; D6/300
See application file for complete search history.

(56) **References Cited**

U.S. PATENT DOCUMENTS

D544,849 S *	6/2007	Yang et al.	D14/126
D587,665 S *	3/2009	Isshiki	D14/126
D687,399 S *	8/2013	Takami et al.	D14/126
D706,734 S *	6/2014	Takami et al.	D14/126
D709,044 S *	7/2014	Takami et al.	D14/126
D709,045 S *	7/2014	Itou et al.	D14/126
D709,845 S *	7/2014	Itou et al.	D14/126

* cited by examiner

Primary Examiner — Robert M Spear

Assistant Examiner — Eliza Bennett-Hattan

(74) *Attorney, Agent, or Firm* — Rosenberg, Klein & Lee

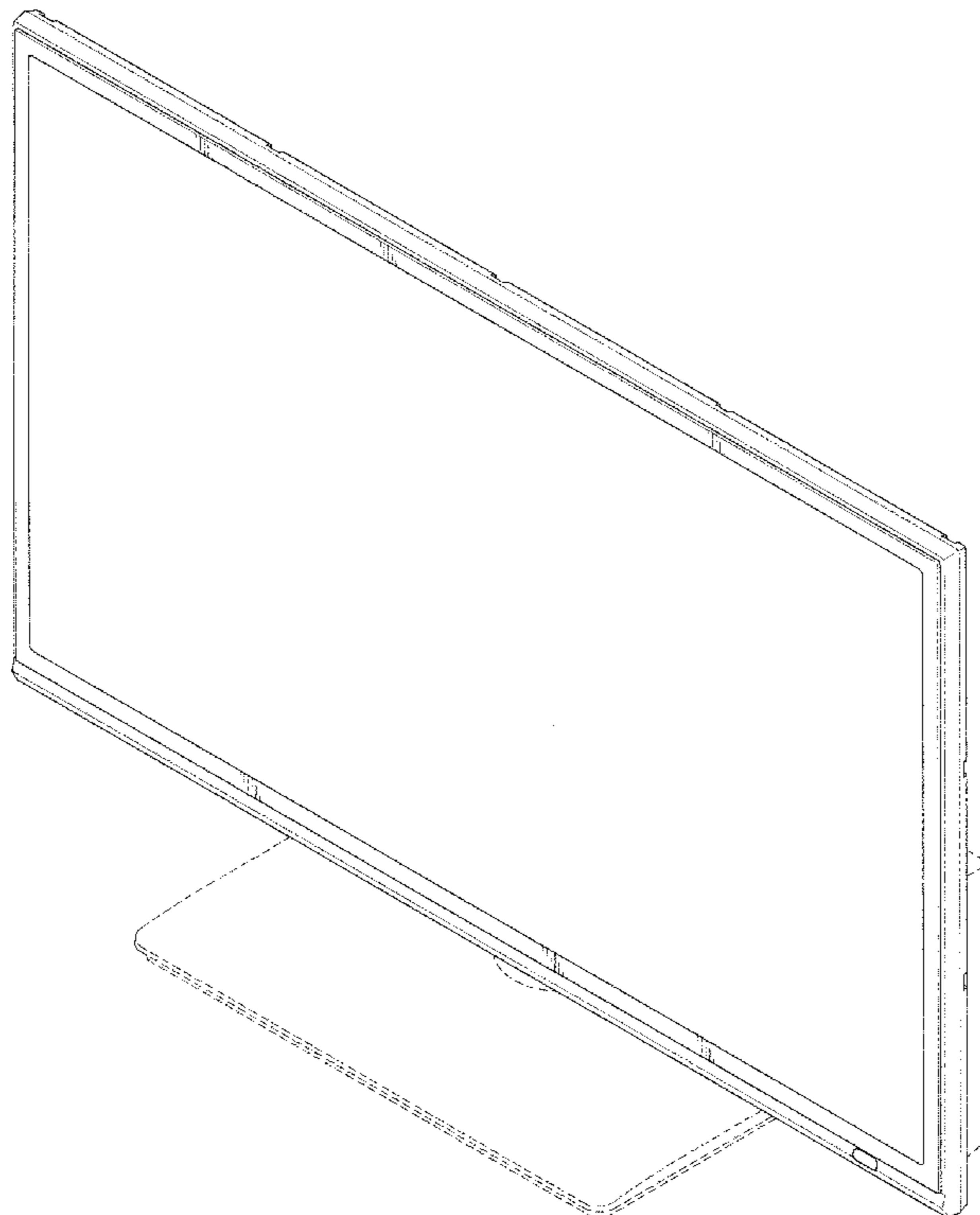
(57) **CLAIM**

The ornamental design for a display, as shown and described.

DESCRIPTION

FIG. 1 is a perspective view of a display showing our new design;
 FIG. 2 is a front elevational view thereof;
 FIG. 3 is a rear elevational view thereof;
 FIG. 4 is a left side elevational view thereof;
 FIG. 5 is a right side elevational view thereof;
 FIG. 6 is a top plan view thereof; and,
 FIG. 7 is a bottom plan view thereof.
 The broken lines in the drawing depict environmental subject matter only and form no part of the claimed design.

1 Claim, 7 Drawing Sheets



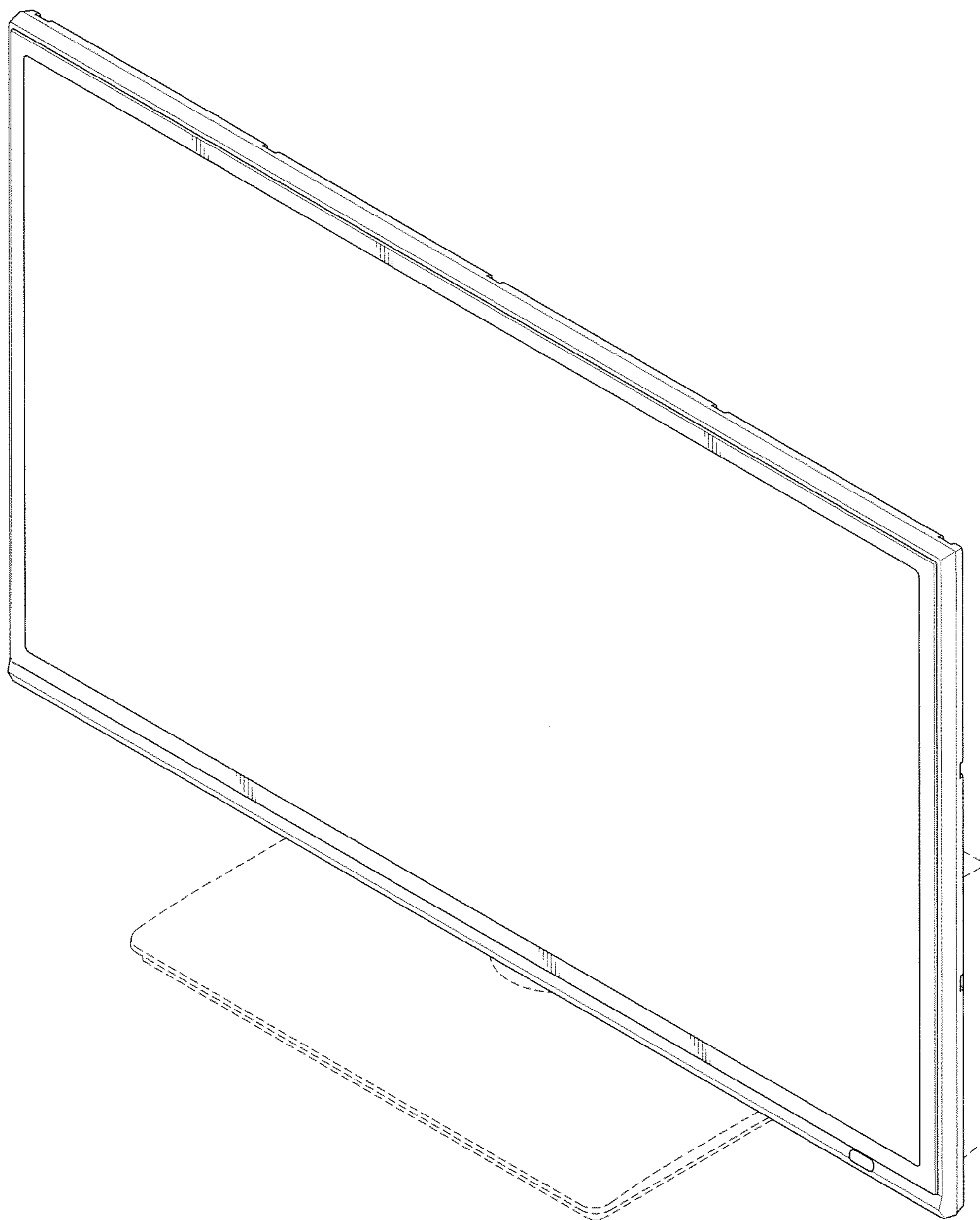


FIG. 1

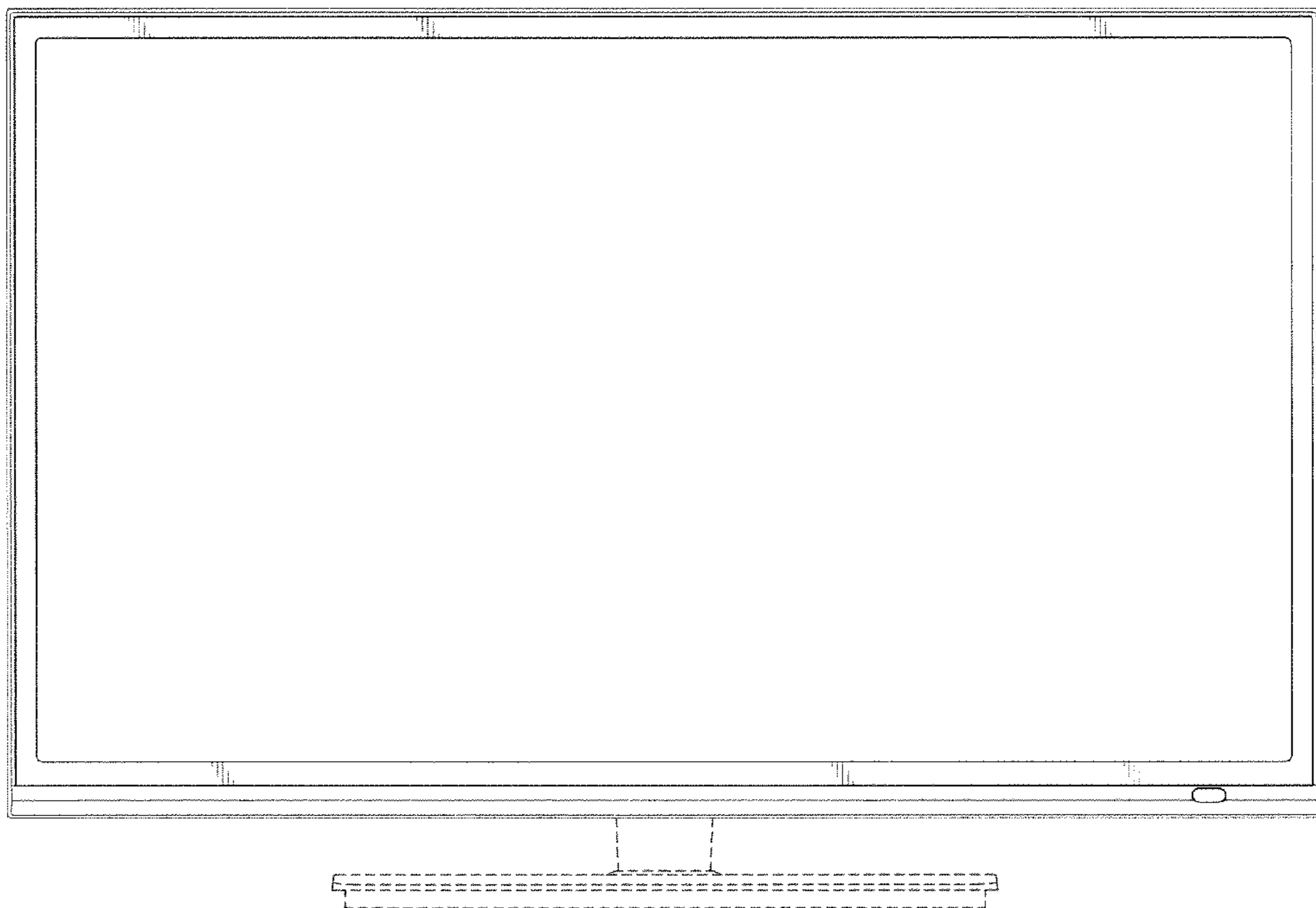


FIG. 2

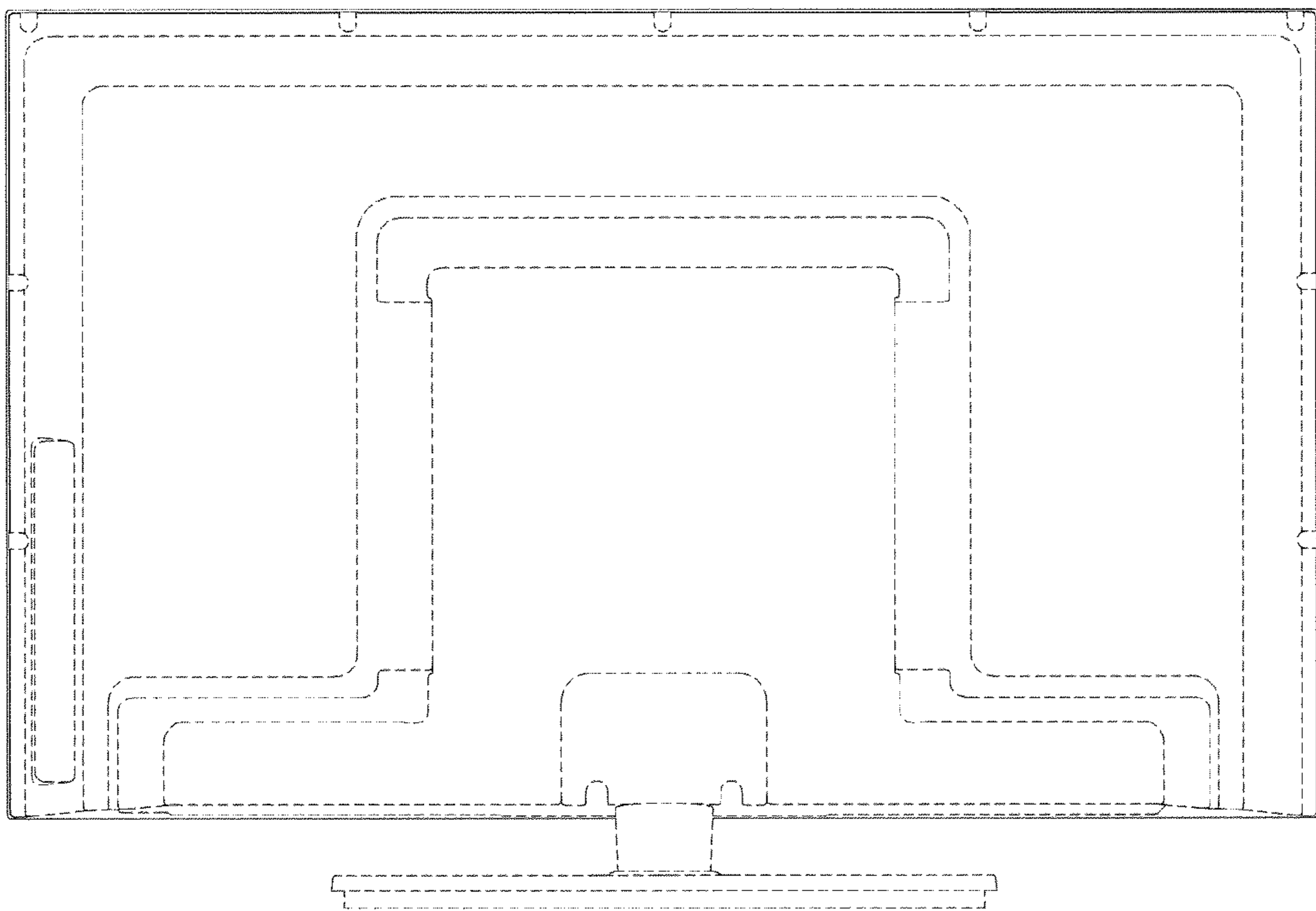


FIG. 3

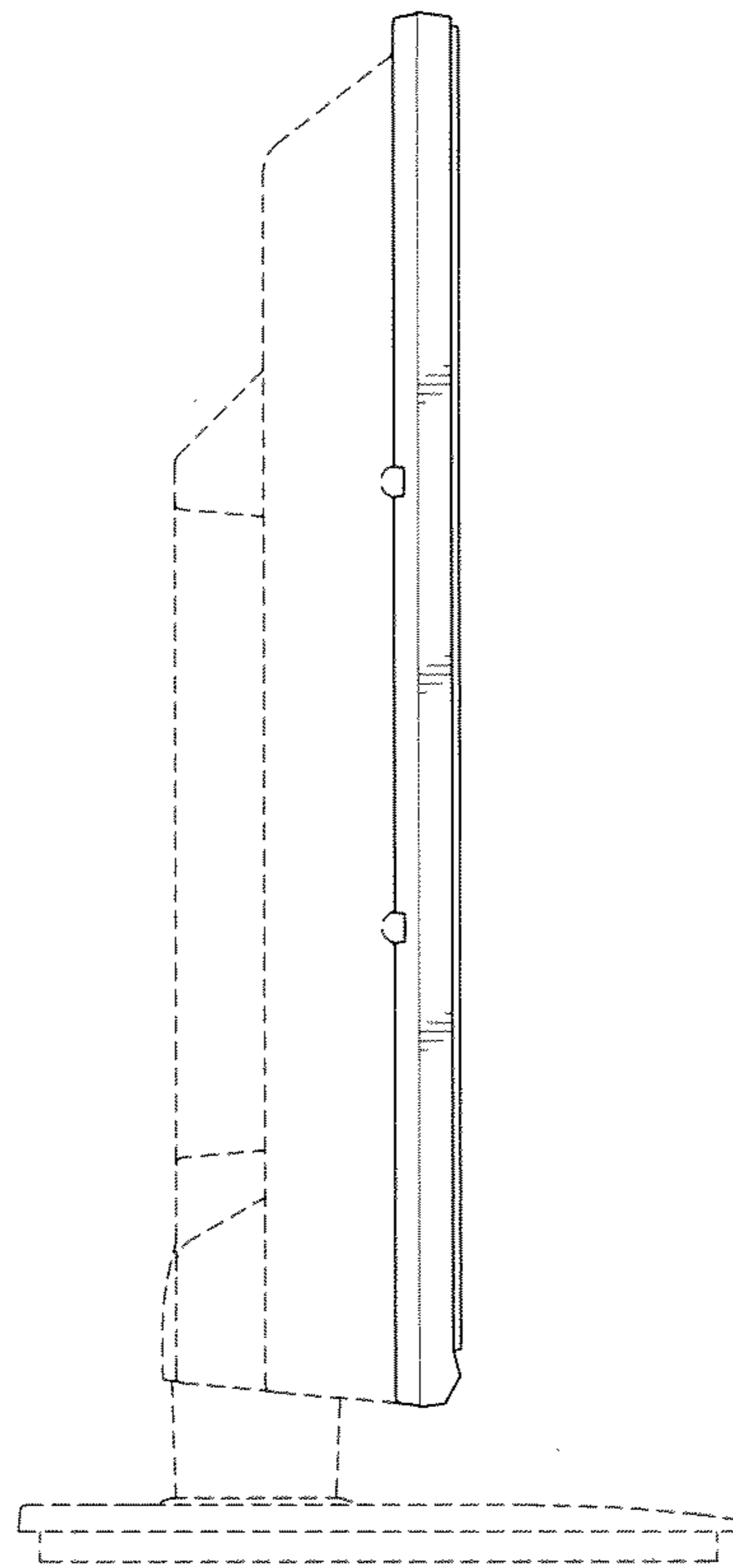


FIG. 4

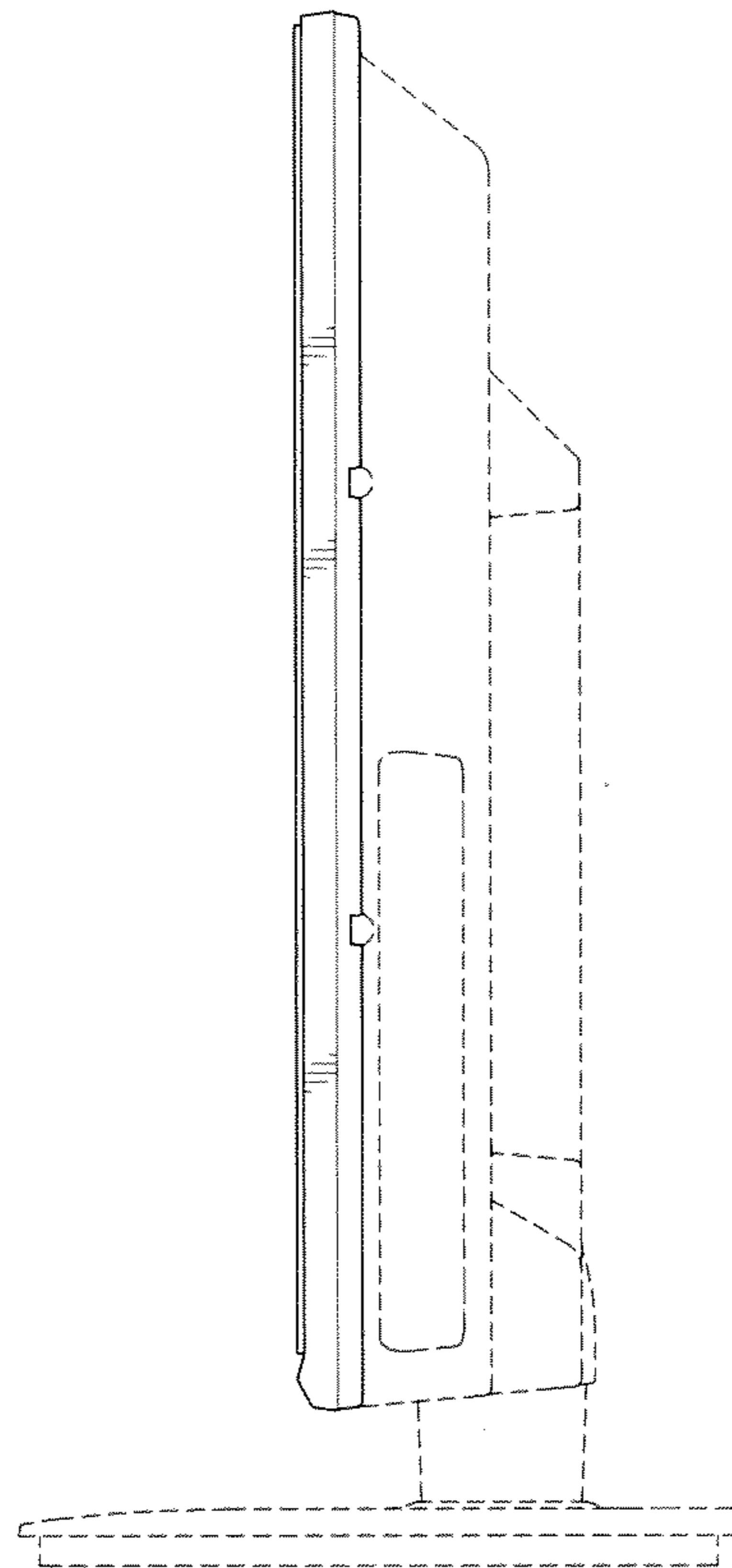


FIG. 5

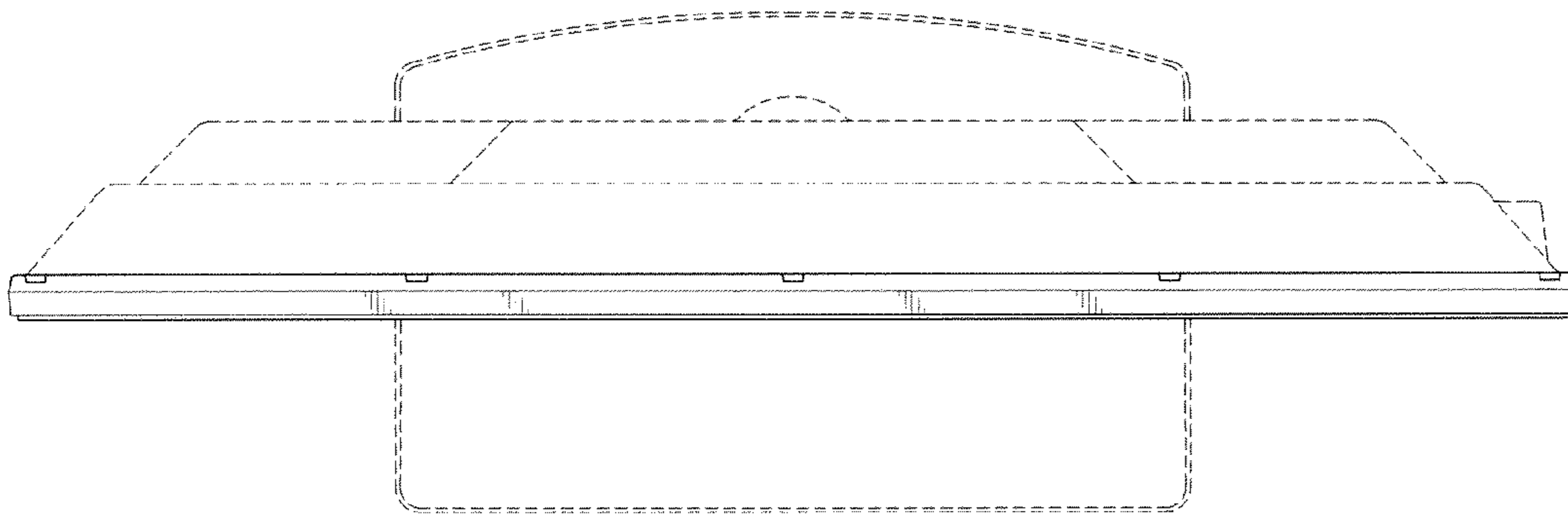


FIG. 6

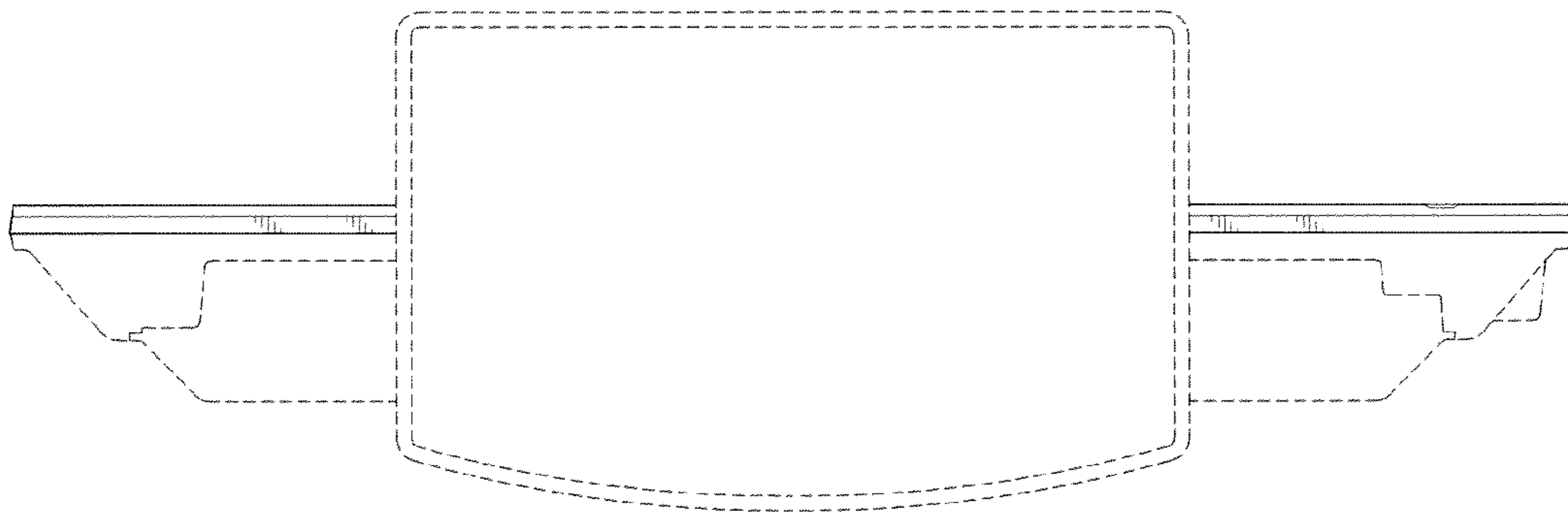


FIG. 7