



US00D725059S

(12) **United States Design Patent**  
**Kim et al.**

(10) **Patent No.:** **US D725,059 S**  
(45) **Date of Patent:** **\*\* Mar. 24, 2015**

(54) **TELEVISION RECEIVER**

(71) Applicant: **Samsung Electronics Co., Ltd.**,  
Suwon-si, Gyeonggi-do (KR)  
(72) Inventors: **Eui-Seok Kim**, Sungnam-Si (KR);  
**Hee-Bong Kim**, Kimpo-Si (KR)  
(73) Assignee: **Samsung Electronics Co., Ltd.**,  
Suwon-si (KR)

(\*\*) Term: **14 Years**

(21) Appl. No.: **29/446,951**

(22) Filed: **Feb. 28, 2013**

(30) **Foreign Application Priority Data**

Aug. 29, 2012 (KR) ..... 30-2012-0041627

(51) **LOC (10) Cl.** ..... **14-03**

(52) **U.S. Cl.**  
USPC ..... **D14/126**

(58) **Field of Classification Search**  
USPC ..... D14/126, 127, 128, 129, 239, 371, 136,  
D14/341, 375; 312/7.2; 348/836, 838, 180,  
348/184, 325, 739; 341/12; 248/917-924,  
248/465; 345/104, 133, 156, 168, 87, 173;  
720/605, 600, 655; 455/347;  
273/148 B; 229/926, 904, 74, 80.5;  
D20/11, 17, 27, 39, 40; D6/300

See application file for complete search history.

(56) **References Cited**

U.S. PATENT DOCUMENTS

|              |        |                    |         |
|--------------|--------|--------------------|---------|
| D564,469 S * | 3/2008 | Wei .....          | D14/126 |
| D571,748 S * | 6/2008 | Ellison .....      | D14/126 |
| D572,677 S * | 7/2008 | Niitsu .....       | D14/126 |
| D591,250 S * | 4/2009 | Yoshimura .....    | D14/126 |
| D659,661 S * | 5/2012 | Lim et al. ....    | D14/126 |
| D659,662 S * | 5/2012 | Lv et al. ....     | D14/126 |
| D673,467 S * | 1/2013 | Lee et al. ....    | D10/50  |
| D680,529 S * | 4/2013 | Reeves et al. .... | D14/341 |
| D697,884 S * | 1/2014 | Lee .....          | D14/126 |

\* cited by examiner

*Primary Examiner* — Robert M Spear  
*Assistant Examiner* — Eliza Bennett-Hattan  
(74) *Attorney, Agent, or Firm* — NSIP Law

(57) **CLAIM**

The ornamental design for a television receiver, as shown and described.

**DESCRIPTION**

FIG. 1 is a front perspective view of a television receiver;  
FIG. 2 is a front view of the television receiver of FIG. 1;  
FIG. 3 is a rear view of the television receiver of FIG. 1;  
FIG. 4 is a right-side view of the television receiver of FIG. 1;  
FIG. 5 is a top plan view of the television receiver of FIG. 1;  
and,  
FIG. 6 is a partial enlarged view of the television receiver of  
FIG. 1 that is included to more clearly depict the design as  
viewed from the front perspective view (a-a', b-b', c-c', d-d') of  
FIG. 1.

The dash-dot-dot-dash broken line immediately adjacent the  
solid-line portions of the design represents an unclaimed  
boundary of the design. Features shown in other broken lines  
in FIGS. 1, 2, 3, 4, and 5, form no part of the claimed design.

**1 Claim, 6 Drawing Sheets**

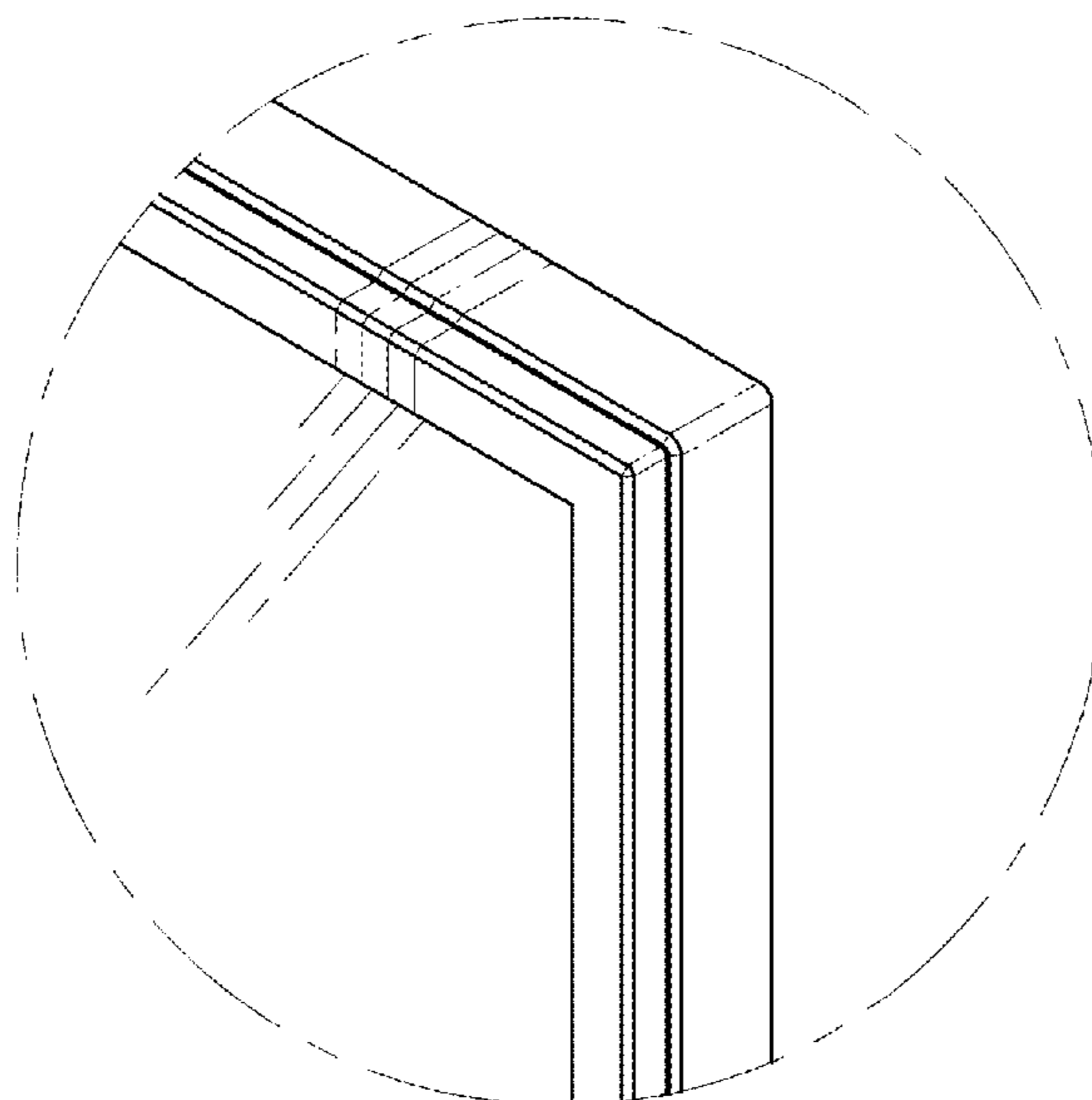


FIG. 1

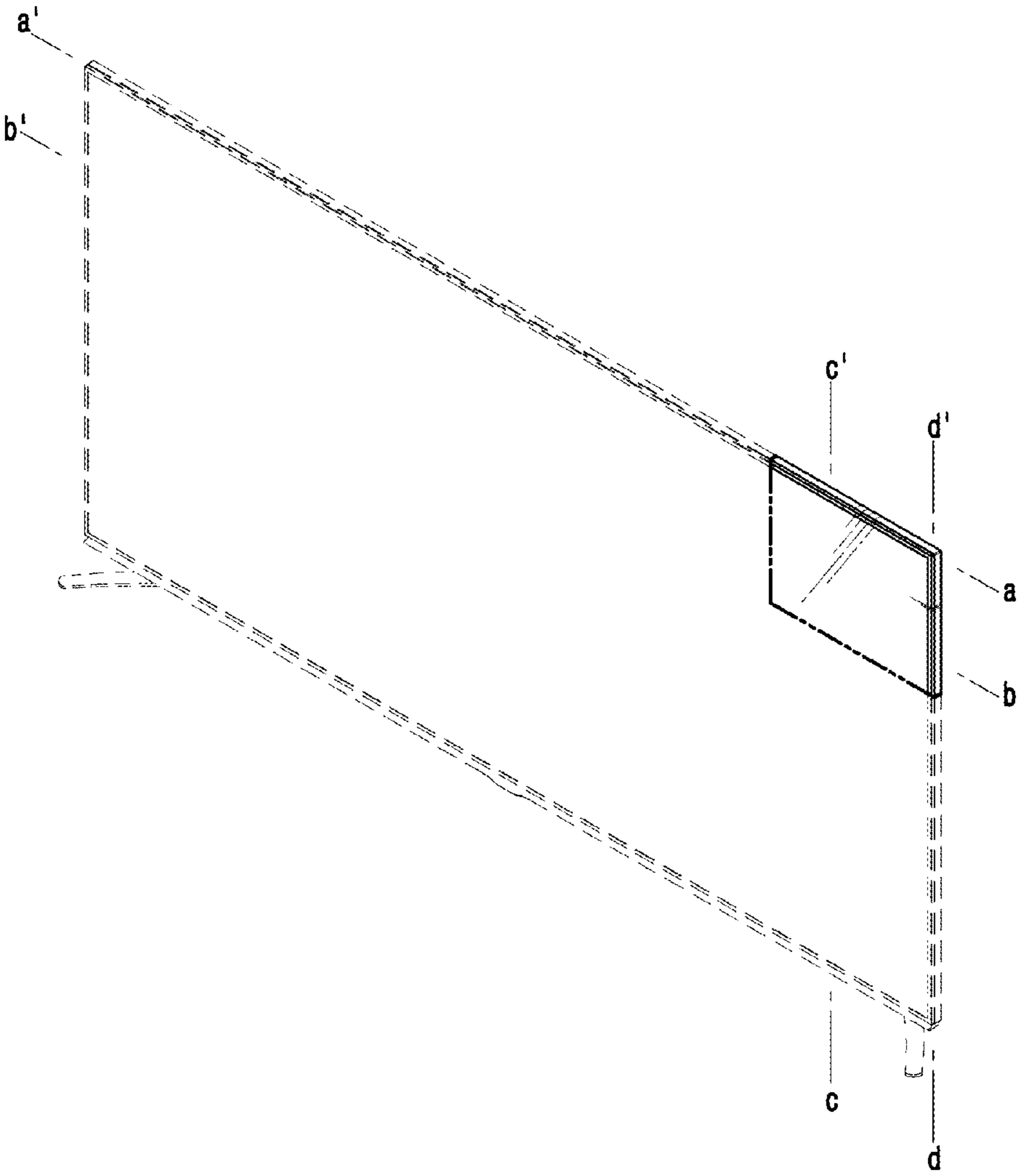


FIG. 2



FIG. 3

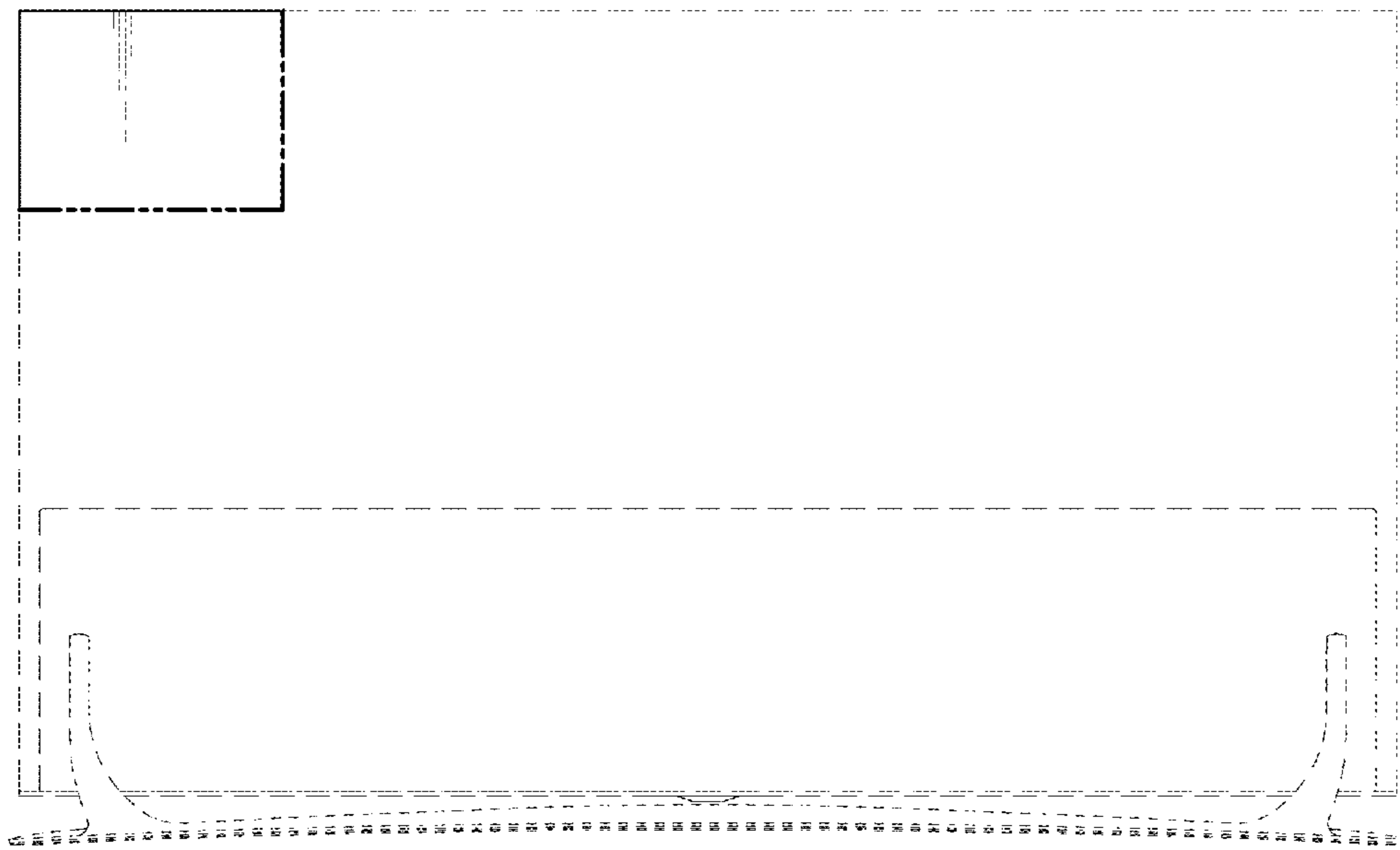


FIG. 4

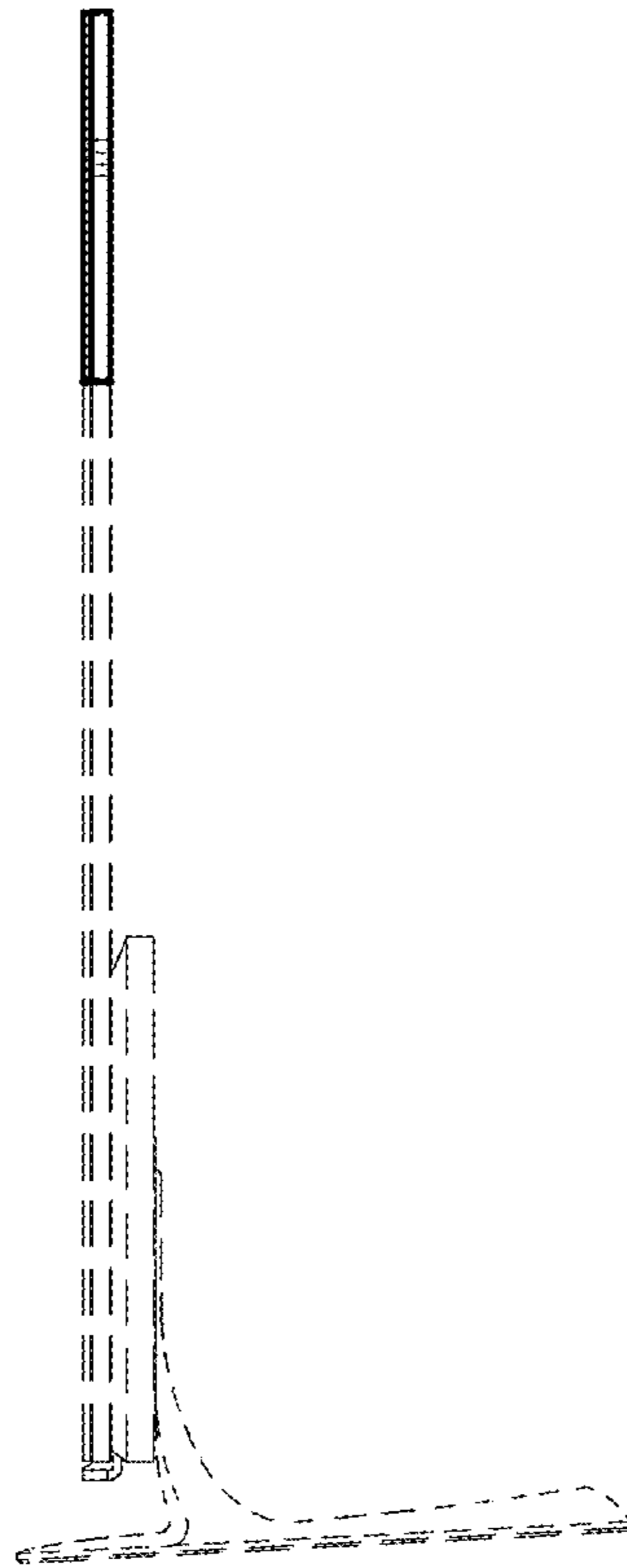


FIG. 5

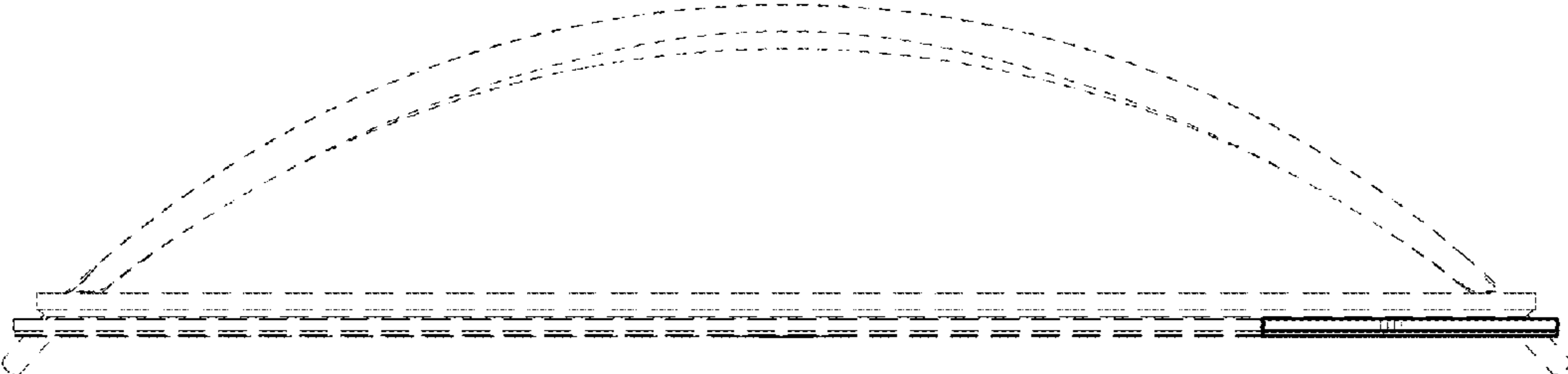


FIG. 6

