



US00D725056S

(12) **United States Design Patent**
Park et al.

(10) **Patent No.:** **US D725,056 S**
(45) **Date of Patent:** **** Mar. 24, 2015**

(54) **SET-TOP BOX**

(71) Applicant: **OpenTV, Inc.**, San Francisco, CA (US)

(72) Inventors: **Joonyoung Park**, Mountain View, CA (US); **Haejoo Lee**, Songnam (KR); **Jihyun Park**, Mountain View, CA (US); **Kiyoung Lee**, Songnam (KR); **Junseo Lee**, Seoul (KR)

(73) Assignee: **OpenTV, Inc.**, San Francisco, CA (US)

(**) Term: **14 Years**

(21) Appl. No.: **29/499,351**

(22) Filed: **Aug. 14, 2014**

(51) **LOC (10) Cl.** **14-03**

(52) **U.S. Cl.**
USPC **D14/125**

(58) **Field of Classification Search**
USPC D14/125, 357-358, 496, 188, 242, 432;
D13/184; 348/10, 460, 706, 731;
340/825.03; 455/6.1, 6.2; 312/223.1,
312/7.2

See application file for complete search history.

(56) **References Cited**

U.S. PATENT DOCUMENTS

D382,255 S *	8/1997	Moffatt	D14/358
D407,085 S *	3/1999	Lytel	D14/125
D515,554 S *	2/2006	Kwon et al.	D14/188
D615,962 S *	5/2010	Lee et al.	D14/188
D638,425 S *	5/2011	Ikeda et al.	D14/358
D640,692 S *	6/2011	Waisman-Diamond	D14/358
D641,343 S *	7/2011	Kim et al.	D14/240
D707,666 S *	6/2014	Ting et al.	D14/240

* cited by examiner

Primary Examiner — Randall Gholson

(74) *Attorney, Agent, or Firm* — Dickinson Wright PLLC

(57) **CLAIM**

The ornamental design for a set-top box, as shown and described.

DESCRIPTION

FIG. 1 is a perspective view of our new design for a set-top box;

FIG. 2 is a front view thereof;

FIG. 3 is a right side view thereof;

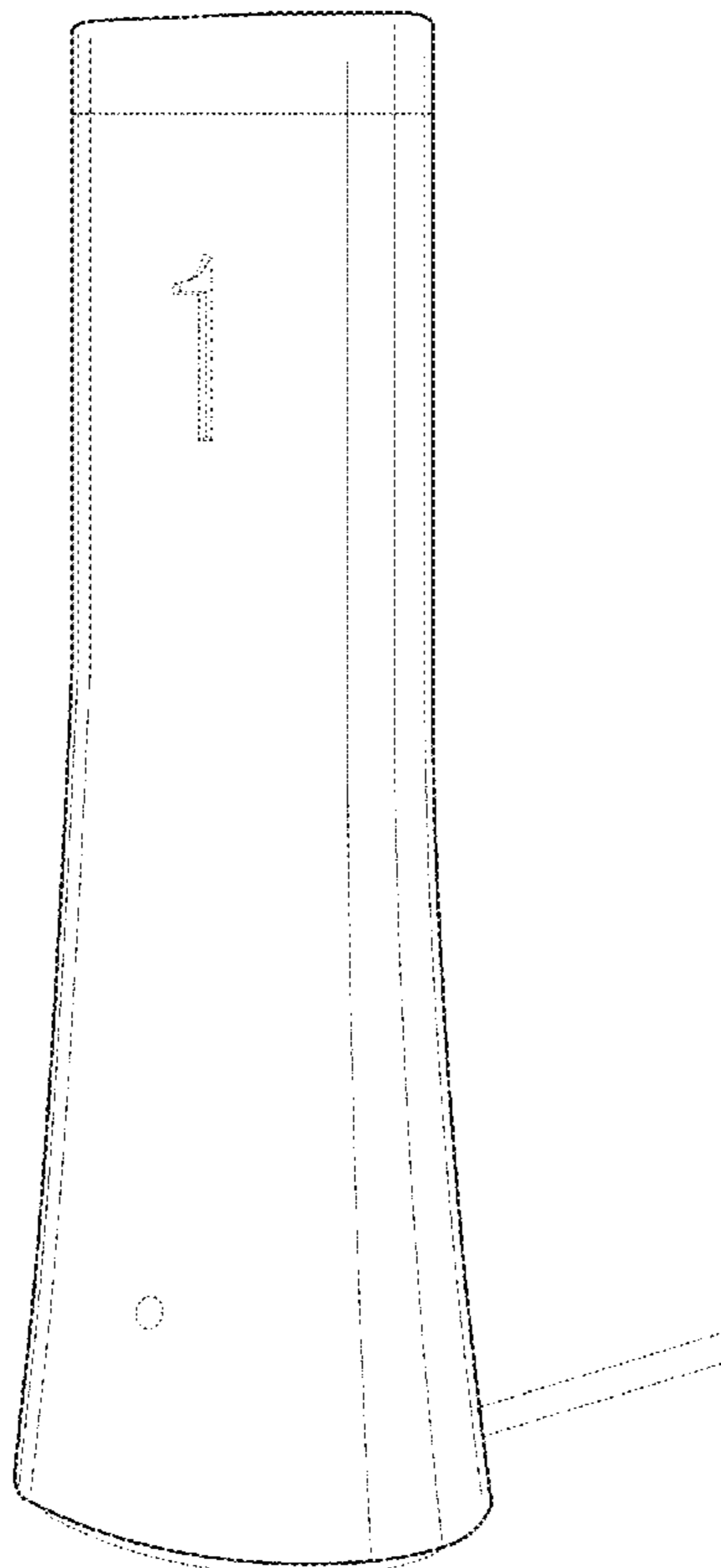
FIG. 4 is a top view thereof;

FIG. 5 is a left side view thereof; and,

FIG. 6 is a rear view thereof.

The broken lines depict portions of the set-top box that form no part of the claimed design.

1 Claim, 3 Drawing Sheets



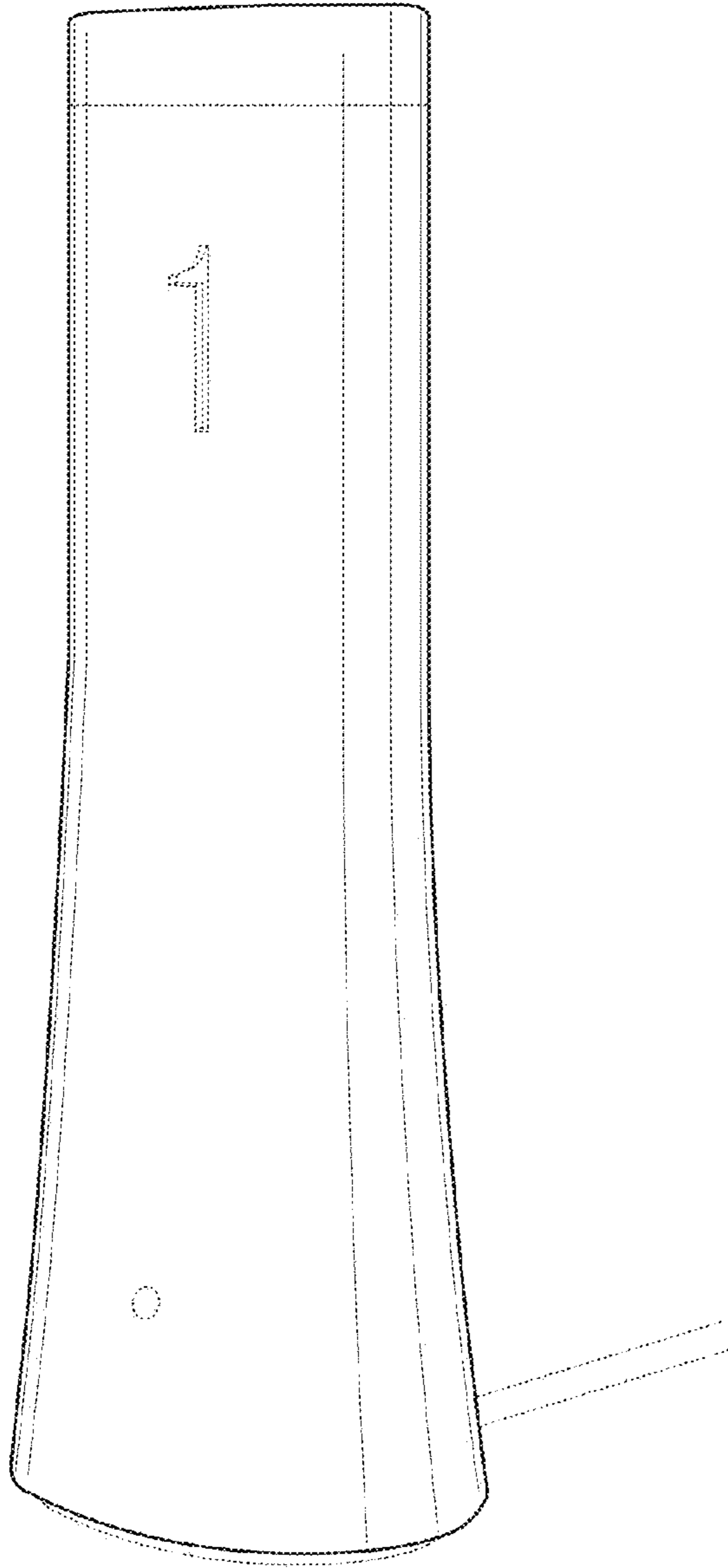


FIG. 1

FIG. 2

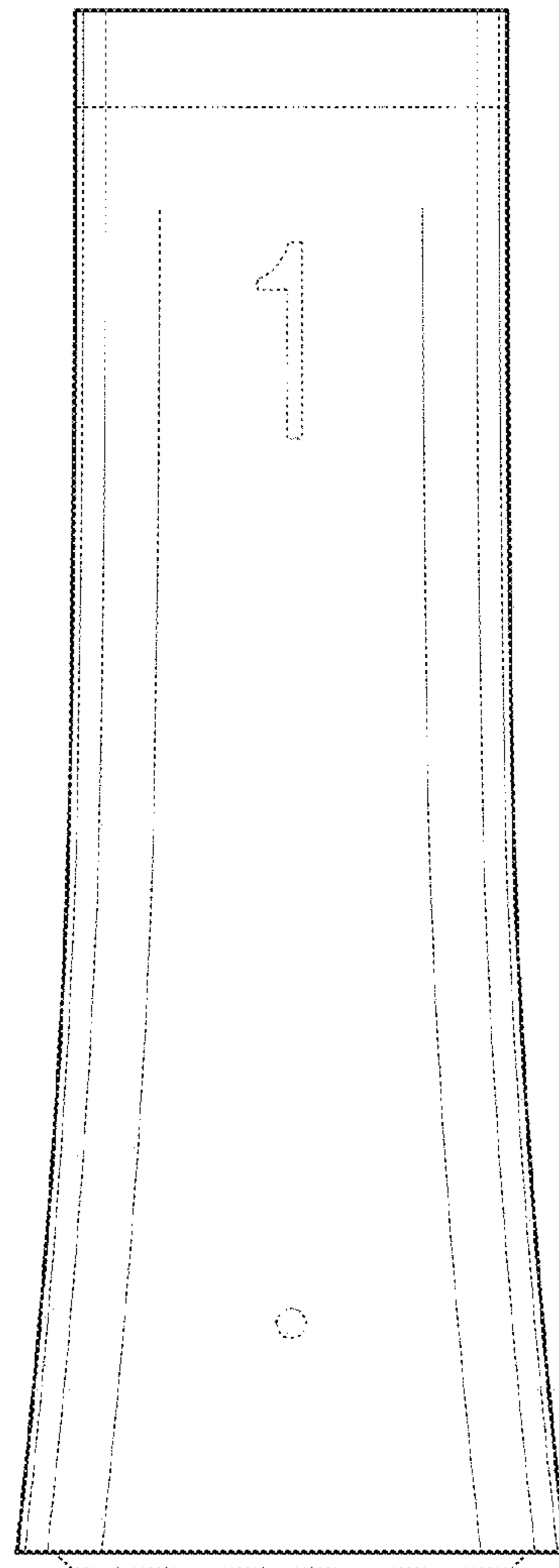


FIG. 4

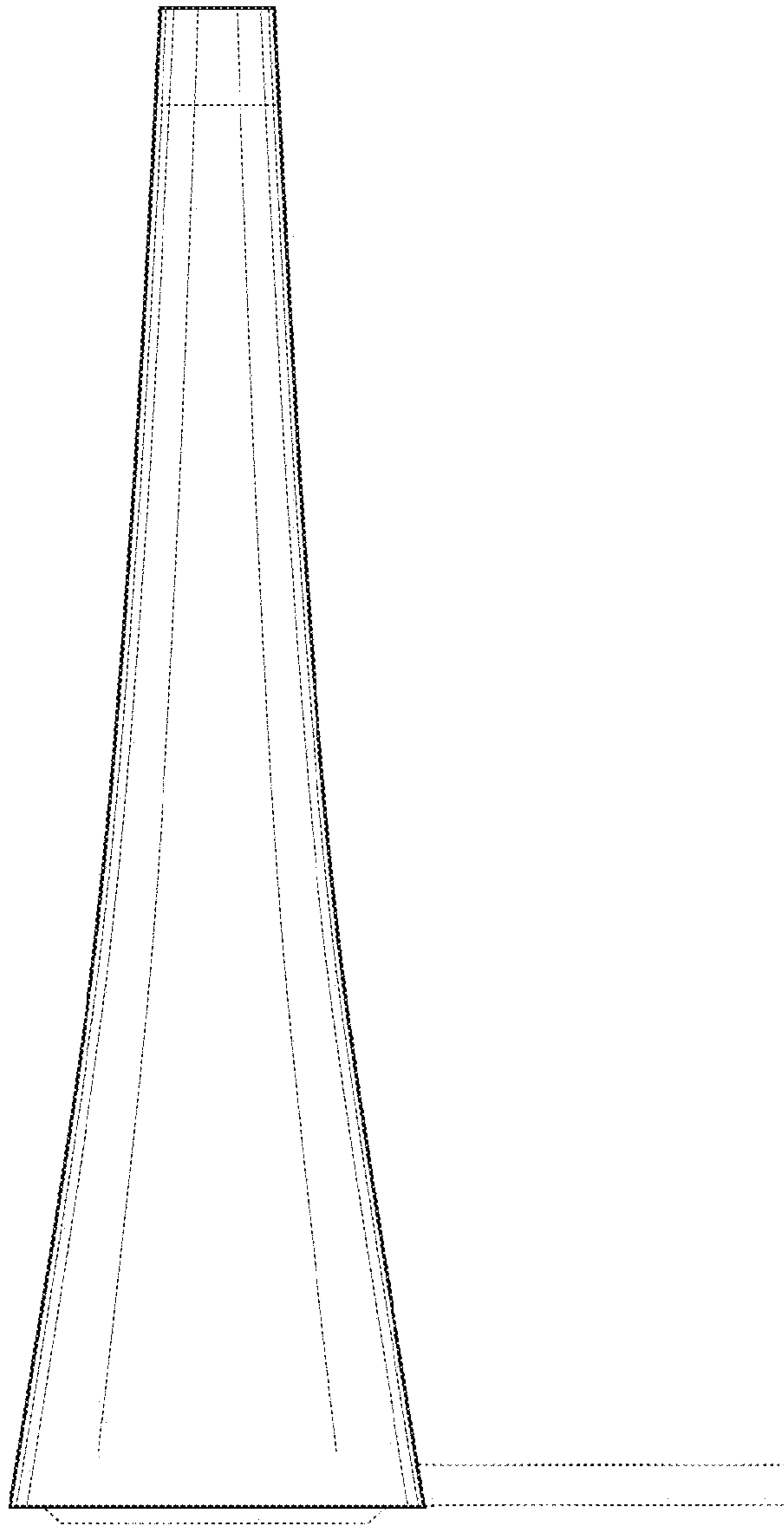
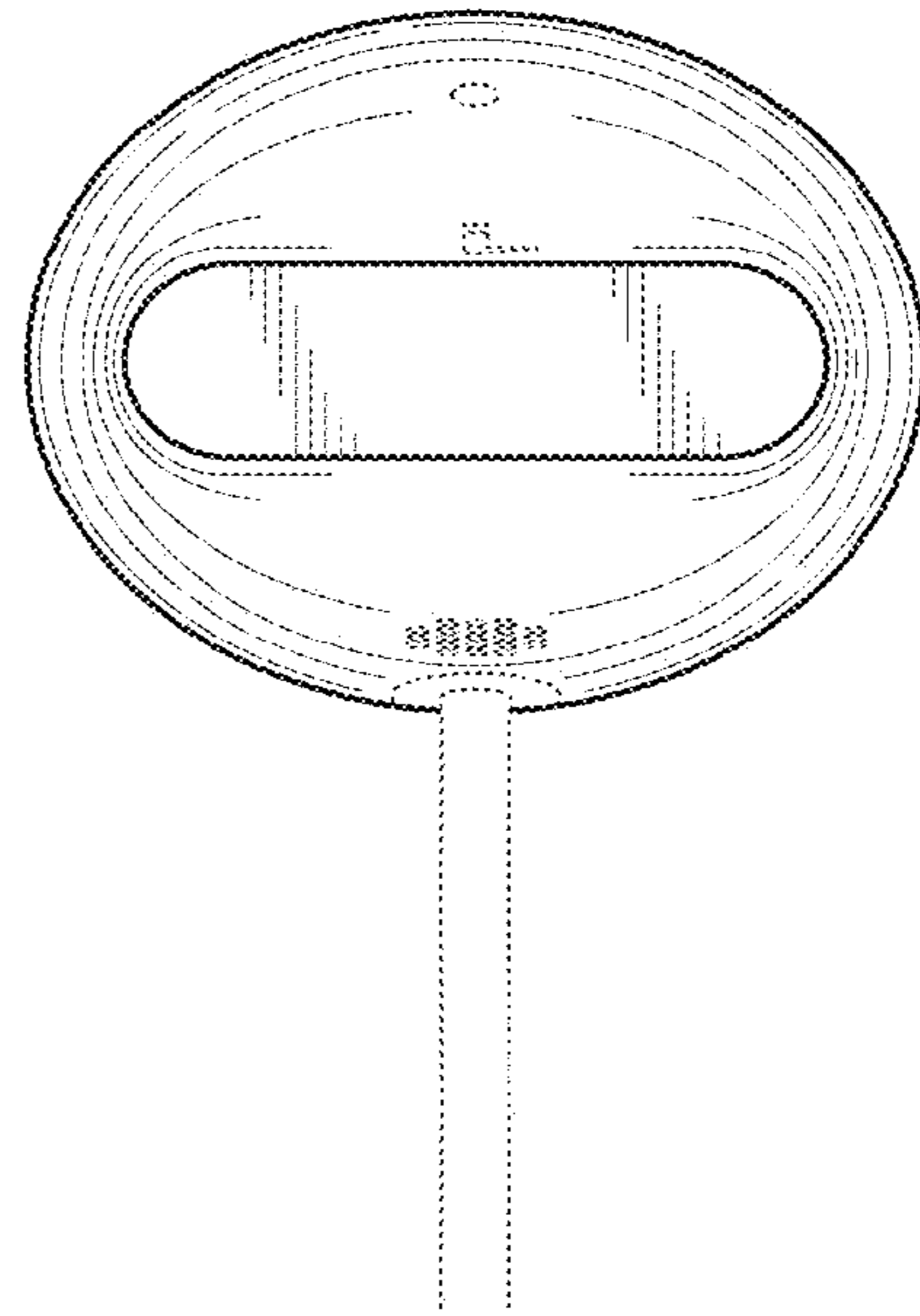


FIG. 3

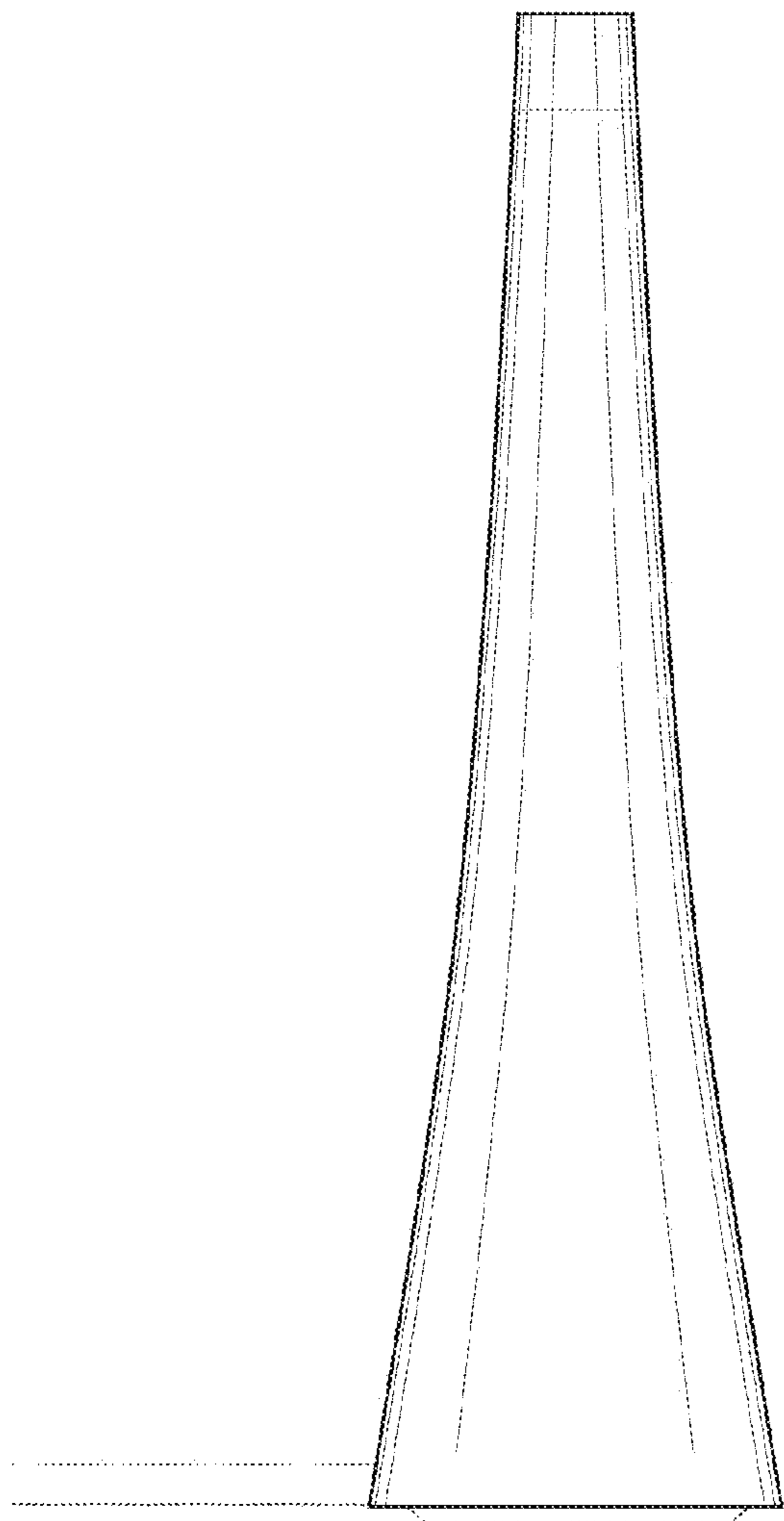


FIG. 5

FIG. 6

