



US00D725055S

(12) **United States Design Patent**  
**Yamazaki et al.**

(10) **Patent No.:** **US D725,055 S**  
(45) **Date of Patent:** **\*\* \*Mar. 24, 2015**

(54) **REACTION TUBE**

(71) Applicant: **Hitachi Kokusai Electric Inc.**, Tokyo (JP)

(72) Inventors: **Keishin Yamazaki**, Toyama (JP); **Masahiro Miyake**, Toyama (JP); **Kosuke Takagi**, Toyama (JP); **Yasuaki Komae**, Toyama (JP); **Shinya Morita**, Toyama (JP); **Naonori Akae**, Toyama (JP); **Masato Terasaki**, Toyama (JP)

(73) Assignee: **Hitachi Kokusai Electric Inc.**, Tokyo (JP)

(\*) Notice: This patent is subject to a terminal disclaimer.

(\*\*) Term: **14 Years**

(21) Appl. No.: **29/477,771**

(22) Filed: **Dec. 26, 2013**

(30) **Foreign Application Priority Data**

Jun. 28, 2013 (JP) ..... 2013-014832

(51) **LOC (10) Cl.** ..... **13-03**

(52) **U.S. Cl.**  
USPC ..... **D13/182**

(58) **Field of Classification Search**  
USPC ..... D13/182; 118/50, 722, 724, 733, 715, 118/725; 219/385, 390, 391, 411, 496, 486, 219/523; 432/239, 241, 247, 251, 253, 266; 110/185; 373/109, 110, 111  
See application file for complete search history.

(56) **References Cited**

**U.S. PATENT DOCUMENTS**

D404,368 S \* 1/1999 Shimazu ..... D13/182  
D405,062 S \* 2/1999 Shimazu ..... D13/182

D405,429 S \* 2/1999 Hanagata et al. .... D13/182  
D405,430 S \* 2/1999 Matsushima ..... D13/182  
D405,431 S \* 2/1999 Shimazu ..... D13/182  
D406,113 S \* 2/1999 Hanagata et al. .... D13/182  
D407,696 S \* 4/1999 Shimazu ..... D13/182  
D417,438 S \* 12/1999 Matsushima ..... D13/182  
D423,463 S \* 4/2000 Hanagata et al. .... D13/182  
D424,024 S \* 5/2000 Hanagata et al. .... D13/182  
D520,467 S \* 5/2006 Ishii et al. .... D13/182  
D586,768 S \* 2/2009 Inoue et al. .... D13/182  
D594,488 S \* 6/2009 Toiya et al. .... D15/144.1  
D600,659 S \* 9/2009 Matsuura et al. .... D13/182

(Continued)

**FOREIGN PATENT DOCUMENTS**

JP 1359196 S 5/2009  
JP 1359505 S 5/2009

(Continued)

*Primary Examiner* — Elizabeth J Oswecki

(74) *Attorney, Agent, or Firm* — Antonelli, Terry, Stout & Kraus, LLP.

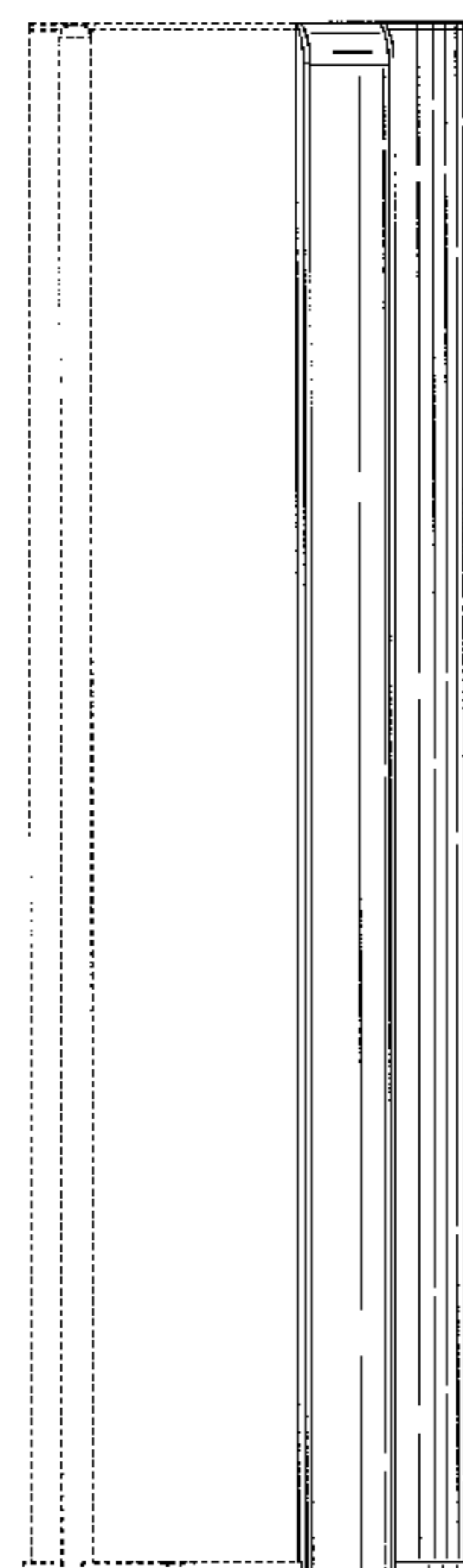
(57) **CLAIM**

We claim the ornamental design for a reaction tube, as shown and described.

**DESCRIPTION**

FIG. 1 is a front, top, right side perspective view of a reaction tube showing our new design;  
FIG. 2 is a rear, bottom and left side perspective view thereof;  
FIG. 3 is a front elevational view thereof;  
FIG. 4 is a rear elevational view thereof;  
FIG. 5 is a left side elevational view thereof;  
FIG. 6 is a right side elevational view thereof;  
FIG. 7 is a top plan view thereof;  
FIG. 8 is a bottom plan view thereof; and,  
FIG. 9 is a cross-sectional view taken along line 9-9 in FIG. 3.  
The broken lines shown in the drawings represent portions of the reaction tube that form no part of the claimed design.

**1 Claim, 4 Drawing Sheets**



(56)

**References Cited**

FOREIGN PATENT DOCUMENTS

U.S. PATENT DOCUMENTS

D610,559 S	2/2010	Okada et al.	
D611,013 S *	3/2010	Takahashi .....	D13/182
D618,638 S *	6/2010	Nakashima .....	D13/182
D655,255 S *	3/2012	Takebayashi et al. ....	D13/182
D655,258 S *	3/2012	Honma et al. ....	D13/182
D655,262 S *	3/2012	Honma et al. ....	D13/182
D655,682 S *	3/2012	Takebayashi et al. ....	D13/182
D661,265 S *	6/2012	Kajiya et al. ....	D13/182
2008/0090195 A1 *	4/2008	Takahashi et al. ....	432/250
2009/0194521 A1 *	8/2009	Kobayashi et al. ....	219/520
2009/0250005 A1 *	10/2009	Kaneko et al. ....	118/724

JP	1359506 S	5/2009
JP	1359507 S	5/2009
JP	1359508 S	5/2009
JP	1359509 S	5/2009
JP	1359510 S	5/2009
JP	1359511 S	5/2009
JP	1361541 S	6/2009
JP	1380393 S	2/2010

\* cited by examiner

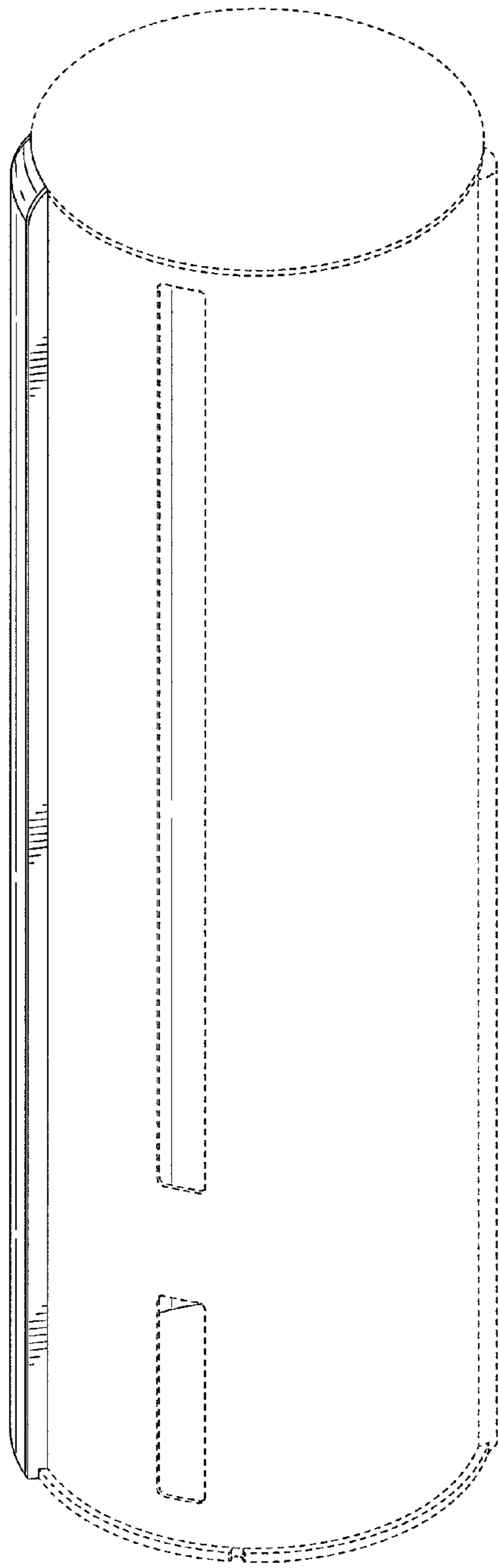


FIG. 1

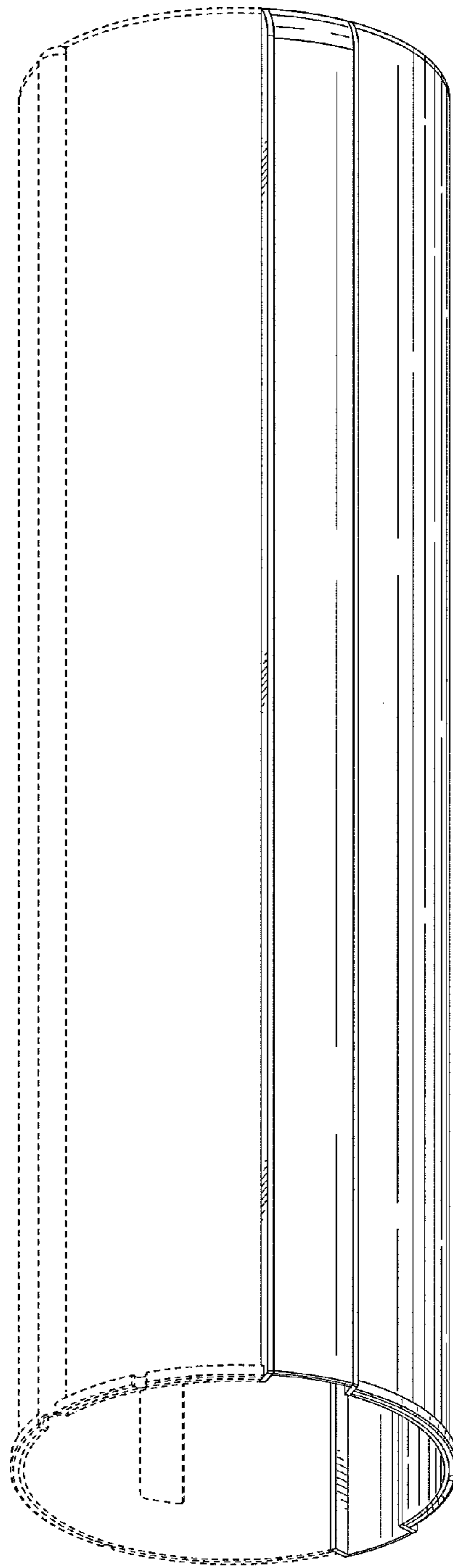


FIG. 2

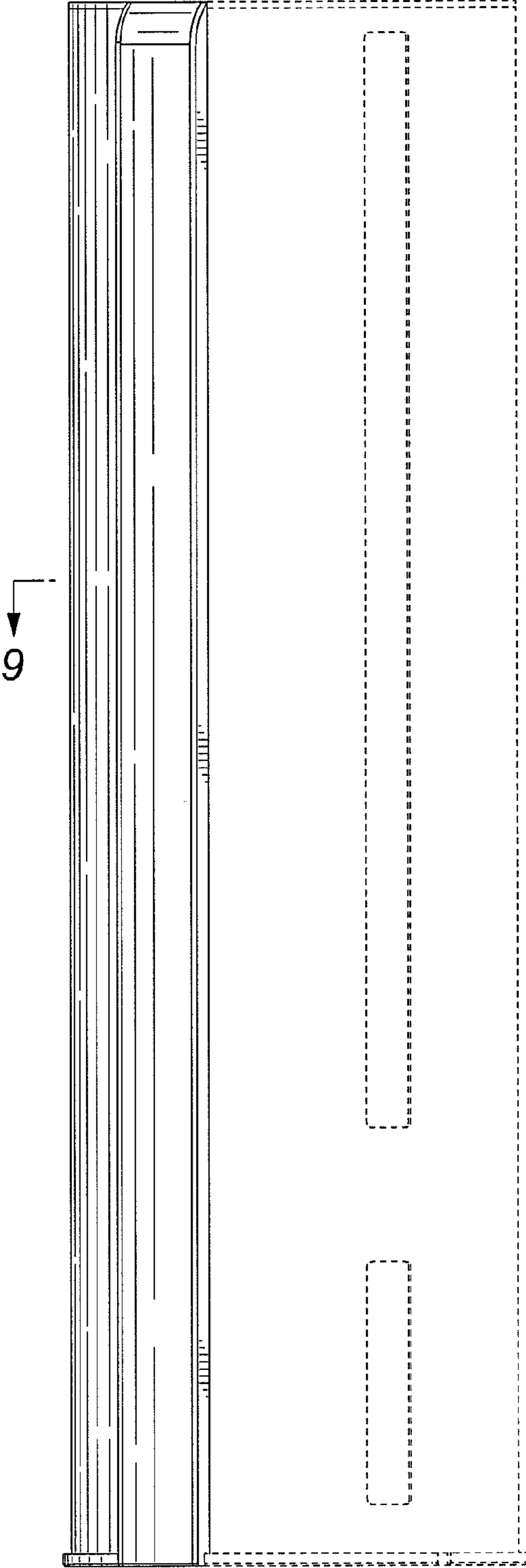


FIG. 3

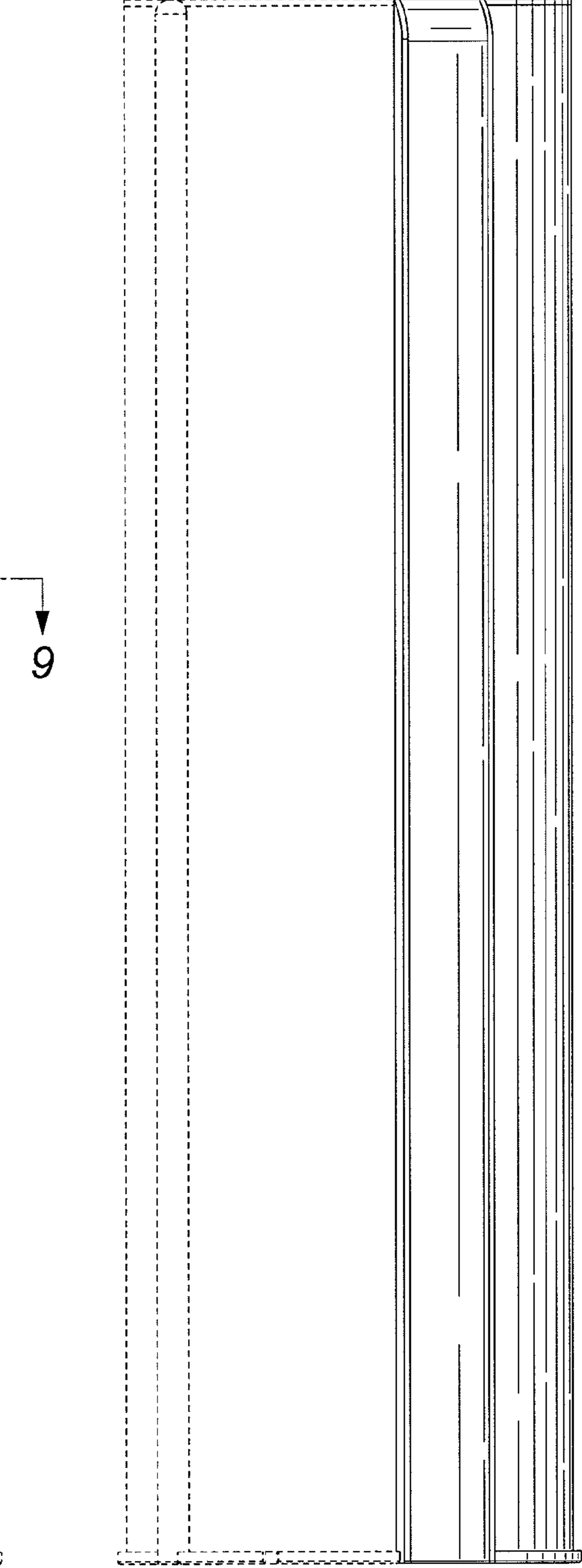


FIG. 4

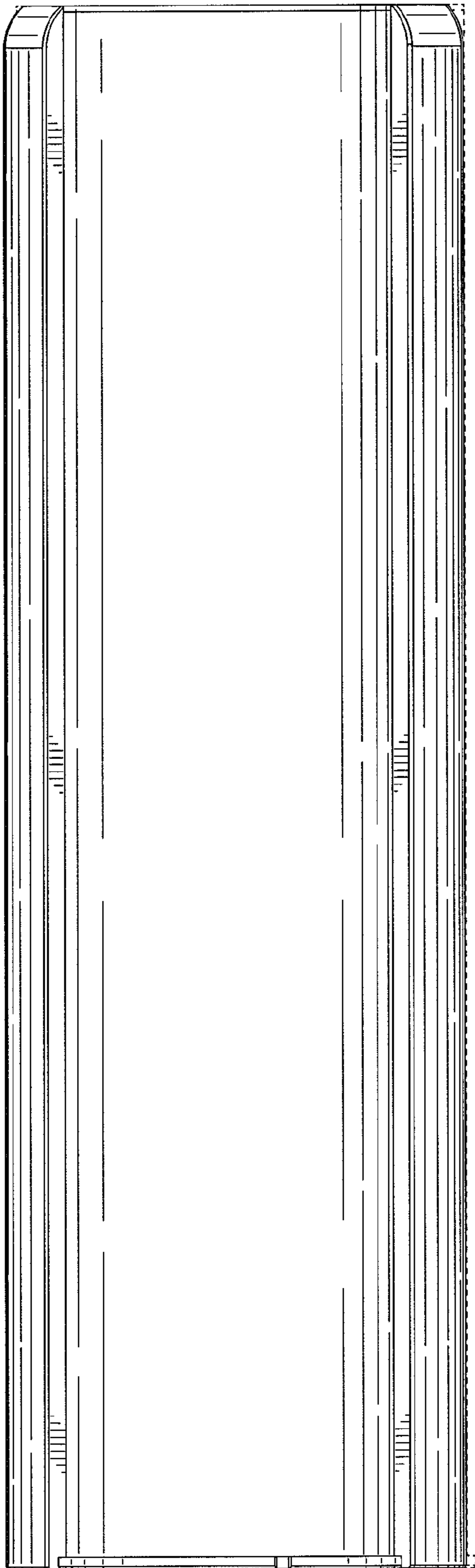


FIG. 5

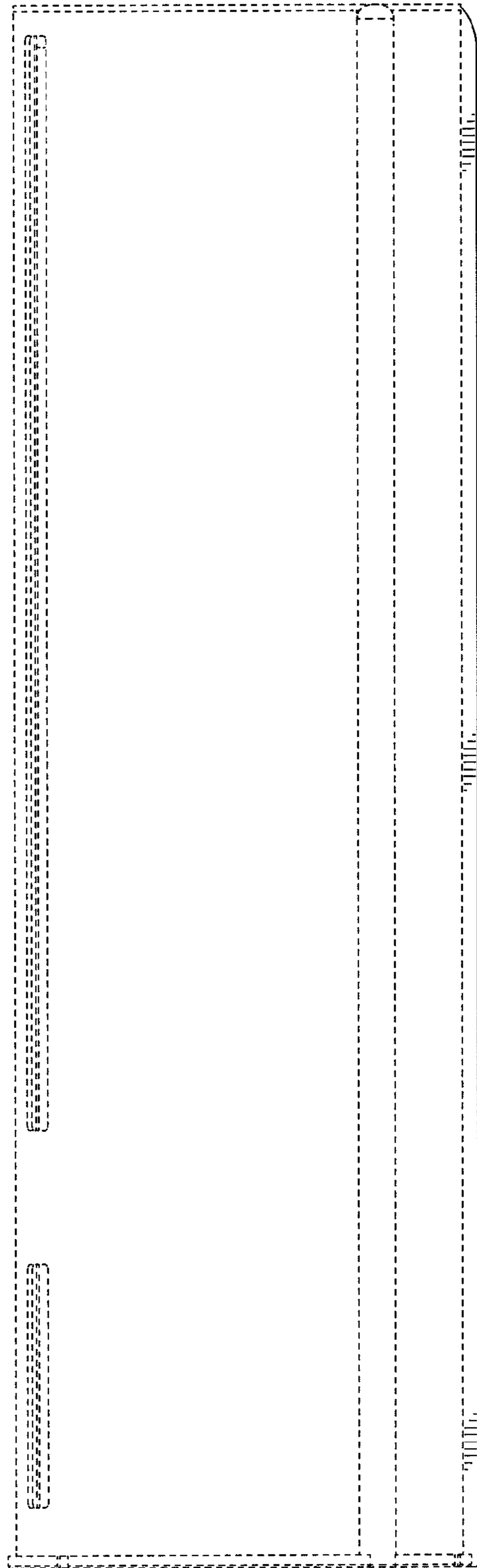
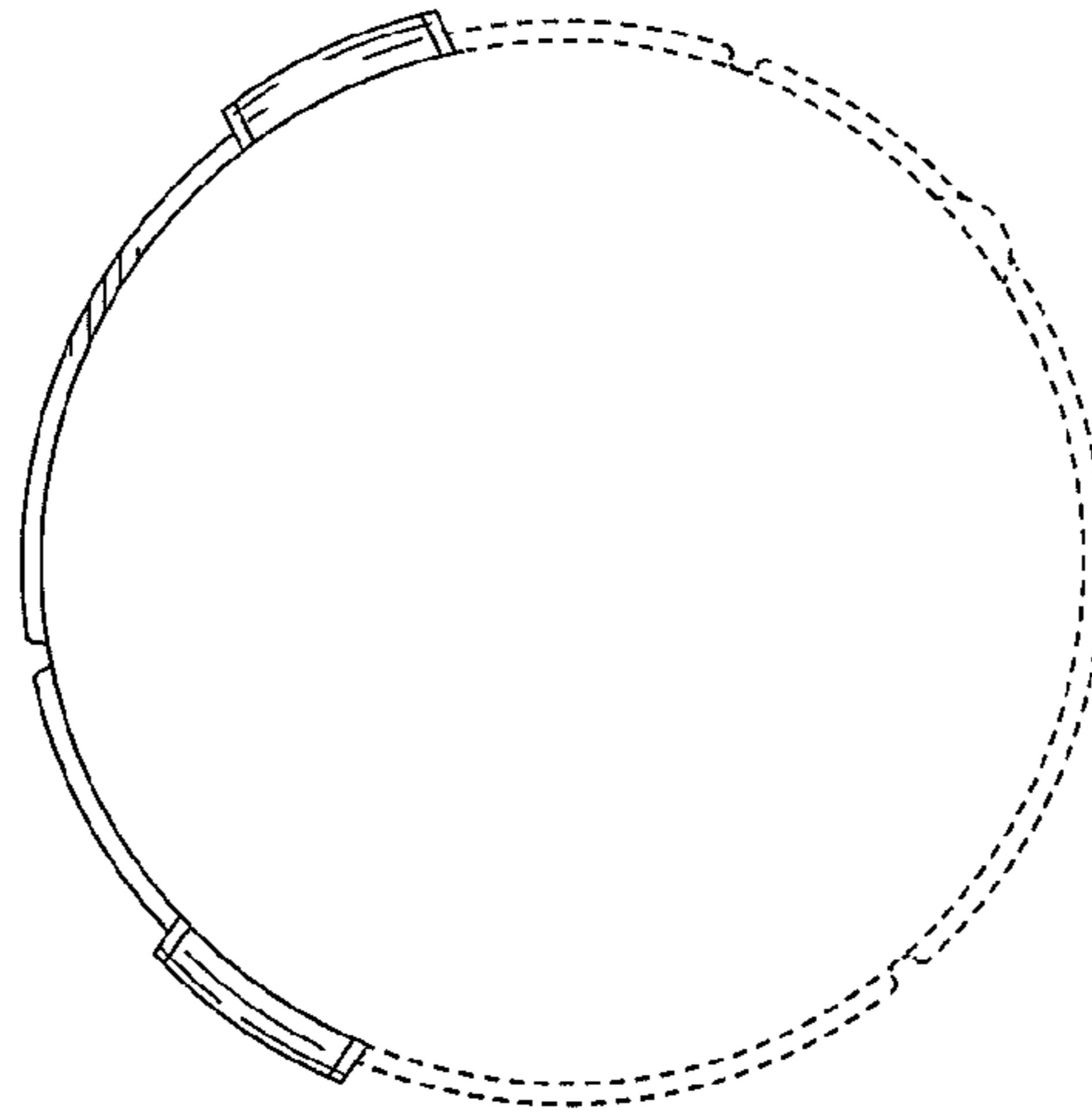
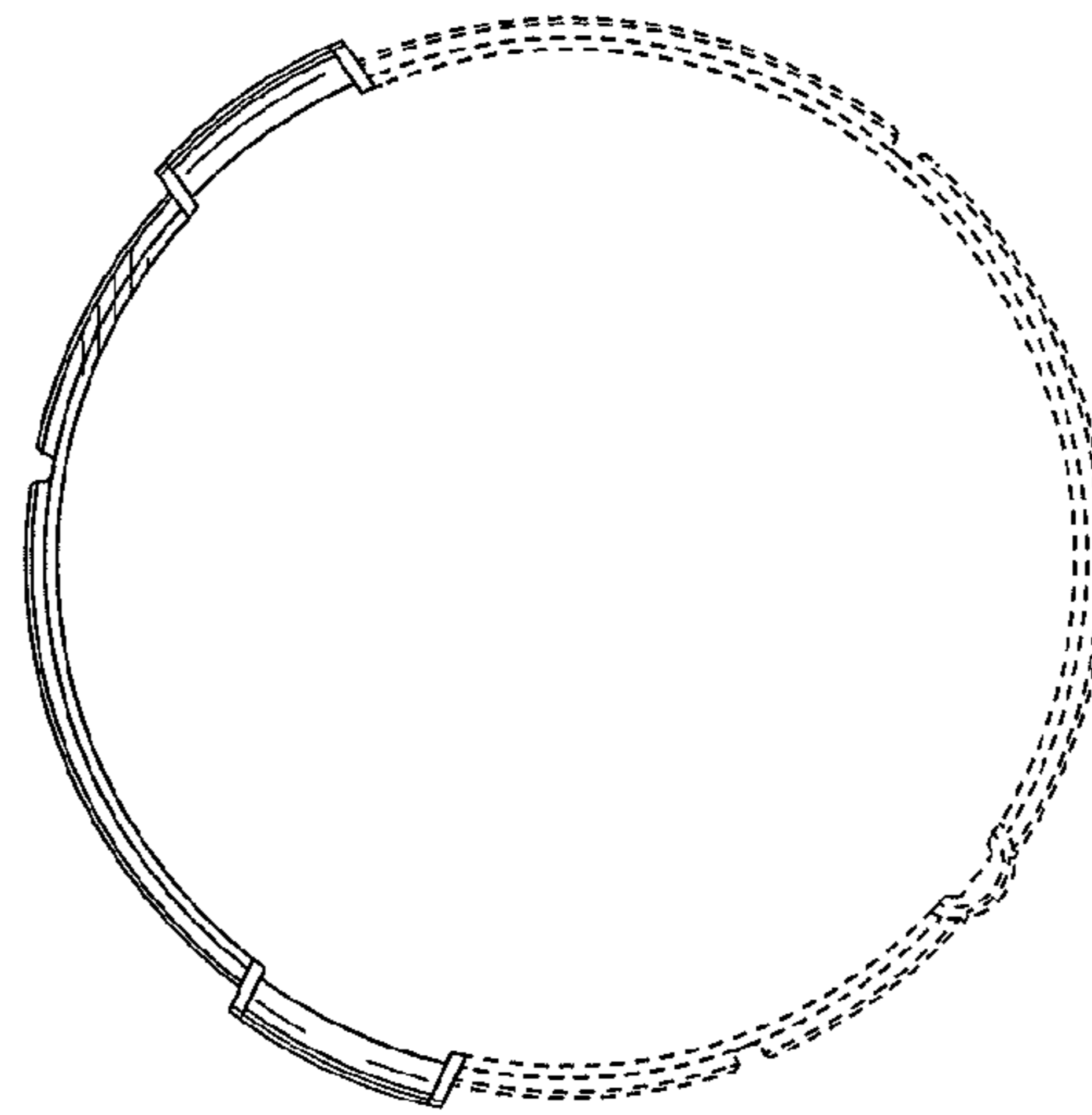


FIG. 6

*FIG. 7*



*FIG. 8*



*FIG. 9*

