

US00D725050S

(12) **United States Design Patent**  
**Tsugawa et al.**

(10) **Patent No.:** **US D725,050 S**  
(45) **Date of Patent:** **\*\* Mar. 24, 2015**

(54) **PUSH BUTTON SWITCH**  
(75) Inventors: **Hiroshi Tsugawa**, Kyoto (JP); **Hiroyuki Moriyama**, Kyoto (JP); **Masaki Sugihara**, Kyoto (JP)

(73) Assignee: **Omron Corporation**, Kyoto (JP)

(\*\*) Term: **14 Years**

(21) Appl. No.: **29/427,950**

(22) Filed: **Jul. 24, 2012**

(30) **Foreign Application Priority Data**

Feb. 3, 2012 (JP) ..... 2012-2168  
Feb. 3, 2012 (JP) ..... 2012-2169  
Feb. 3, 2012 (JP) ..... 2012-2170  
Feb. 3, 2012 (JP) ..... 2012-2171

(51) **LOC (10) Cl.** ..... **13-03**

(52) **U.S. Cl.**  
USPC ..... **D13/171**

(58) **Field of Classification Search**  
USPC ..... D13/171, 174; 307/139, 157;  
315/209 R, 224, 246, 291, 294, 295;  
200/5 R, 5 A, 520, 530, 293, 296, 302.2,  
200/308, 310, 314, 329, 341  
See application file for complete search history.

(56) **References Cited**

**U.S. PATENT DOCUMENTS**

4,419,555 A \* 12/1983 Kim ..... 200/314  
4,496,813 A \* 1/1985 Fukushima ..... 200/314  
4,585,914 A \* 4/1986 Ohashi et al. .... 200/284  
4,673,780 A \* 6/1987 Kenway ..... 200/302.2  
4,897,516 A \* 1/1990 Wakatsuki ..... 200/302.2  
4,908,485 A \* 3/1990 Honda et al. .... 200/462  
D344,930 S \* 3/1994 Schaeffer ..... D13/171  
5,382,767 A \* 1/1995 Takano et al. .... 200/531  
D377,337 S \* 1/1997 Schaeffer ..... D13/171  
D432,998 S \* 10/2000 Decosse ..... D13/174  
6,417,469 B1 \* 7/2002 Tamura ..... 200/314

6,590,176 B2 \* 7/2003 Cole et al. .... 200/341  
6,667,451 B1 \* 12/2003 Hart ..... 200/314  
D496,336 S \* 9/2004 Wang ..... D13/171  
7,132,615 B1 \* 11/2006 Greer ..... 200/313  
7,232,965 B2 \* 6/2007 Gibbons et al. .... 200/17 R  
7,342,194 B2 \* 3/2008 Karweik et al. .... 200/329

(Continued)

*Primary Examiner* — Selina Sikder

(74) *Attorney, Agent, or Firm* — Harness, Dickey & Pierce, P.L.C.

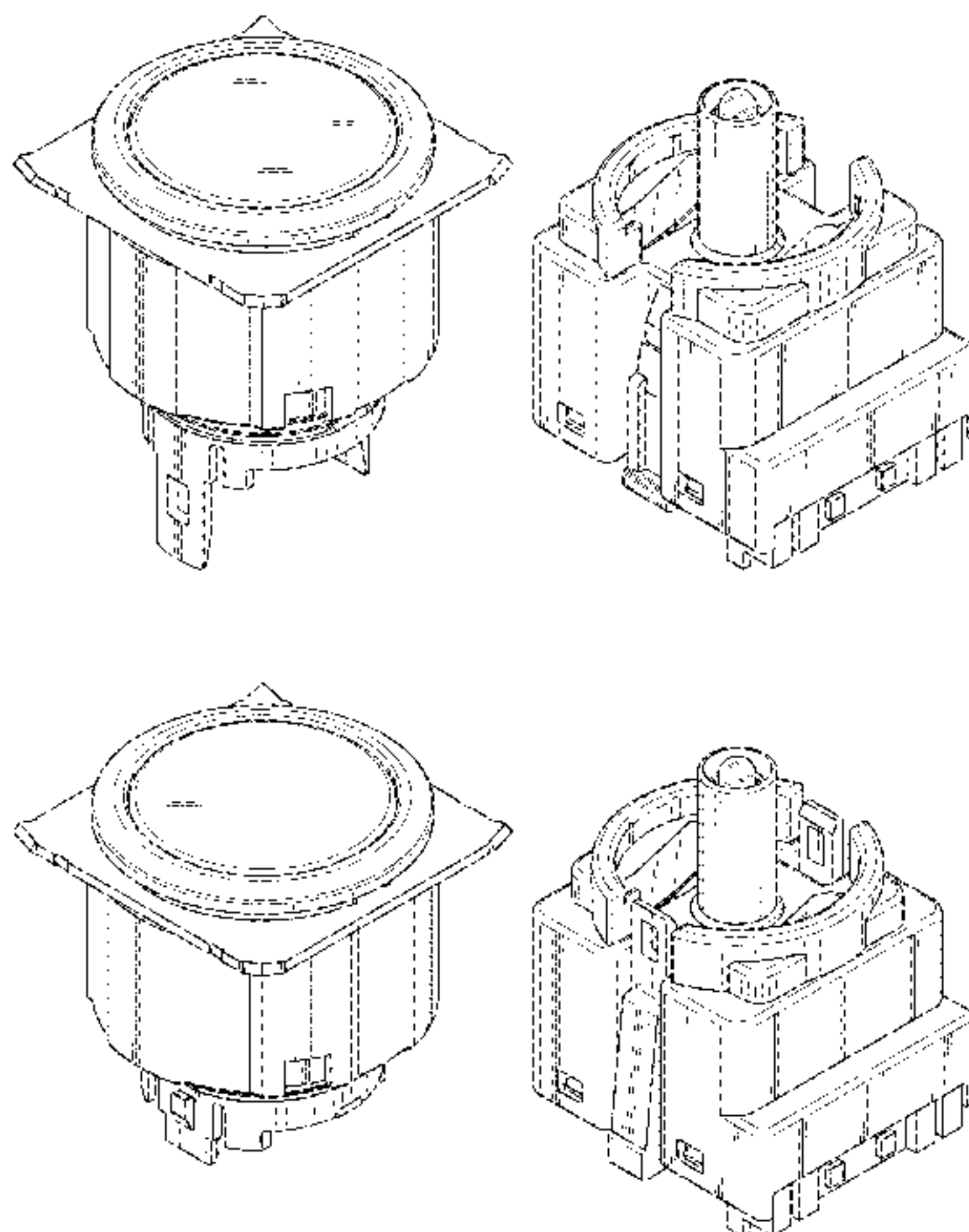
(57) **CLAIM**

The ornamental design for a push button switch, as shown and described.

**DESCRIPTION**

FIG. 1 is a front elevational view of a push button switch showing our new design;  
FIG. 2 is a rear elevational view thereof;  
FIG. 3 is a left side view thereof;  
FIG. 4 is a right side view thereof;  
FIG. 5 is a top plan view thereof;  
FIG. 6 is a bottom plan view thereof;  
FIG. 7 is a top, front and right side perspective view thereof, shown in separated condition;  
FIG. 8 is a bottom, rear and left side perspective view thereof, shown in separated condition;  
FIG. 9 is a front elevational view of a push button switch showing a second embodiment of our new design;  
FIG. 10 is a rear elevational view thereof;  
FIG. 11 is a left side view thereof;  
FIG. 12 is a right side view thereof;  
FIG. 13 is a top plan view thereof;  
FIG. 14 is a bottom plan view thereof;  
FIG. 15 is a top, front and right side perspective view thereof, shown in separated condition; and,  
FIG. 16 is a bottom, rear and left side perspective view thereof, shown in separated condition.  
The oblique short lines in FIGS. 5, 7, 13, and 15 are intended to illustrate that the surface is translucent.

**1 Claim, 8 Drawing Sheets**



(56)

**References Cited**

U.S. PATENT DOCUMENTS

7,507,924 B2 \* 3/2009 Lorenzo Riera et al. .... 200/314  
7,554,047 B2 \* 6/2009 Verdu et al. .... 200/314  
D601,100 S \* 9/2009 Wahrenberg ..... D13/171  
D611,916 S \* 3/2010 Wu et al. .... D13/171

D645,005 S \* 9/2011 Menheere ..... D13/171  
8,188,398 B2 \* 5/2012 Chu ..... 200/345  
8,624,141 B2 \* 1/2014 Schechtel et al. .... 200/310  
8,772,658 B2 \* 7/2014 Chu ..... 200/314  
2002/0125119 A1 \* 9/2002 Cole et al. .... 200/341  
2011/0168536 A1 \* 7/2011 Chauvet et al. .... 200/341  
2013/0199907 A1 \* 8/2013 Sugihara et al. .... 200/296

\* cited by examiner

Fig. 1

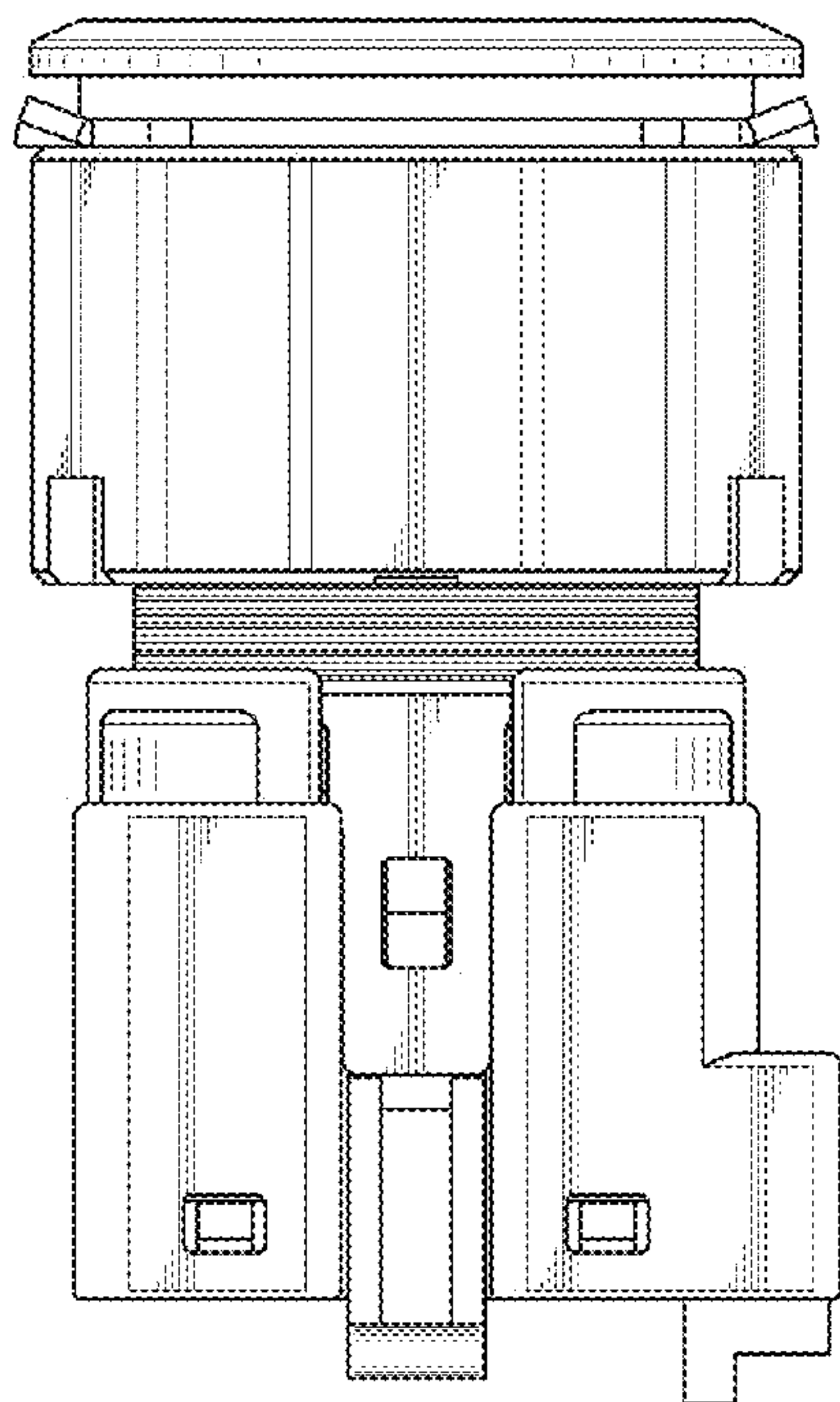


Fig. 2

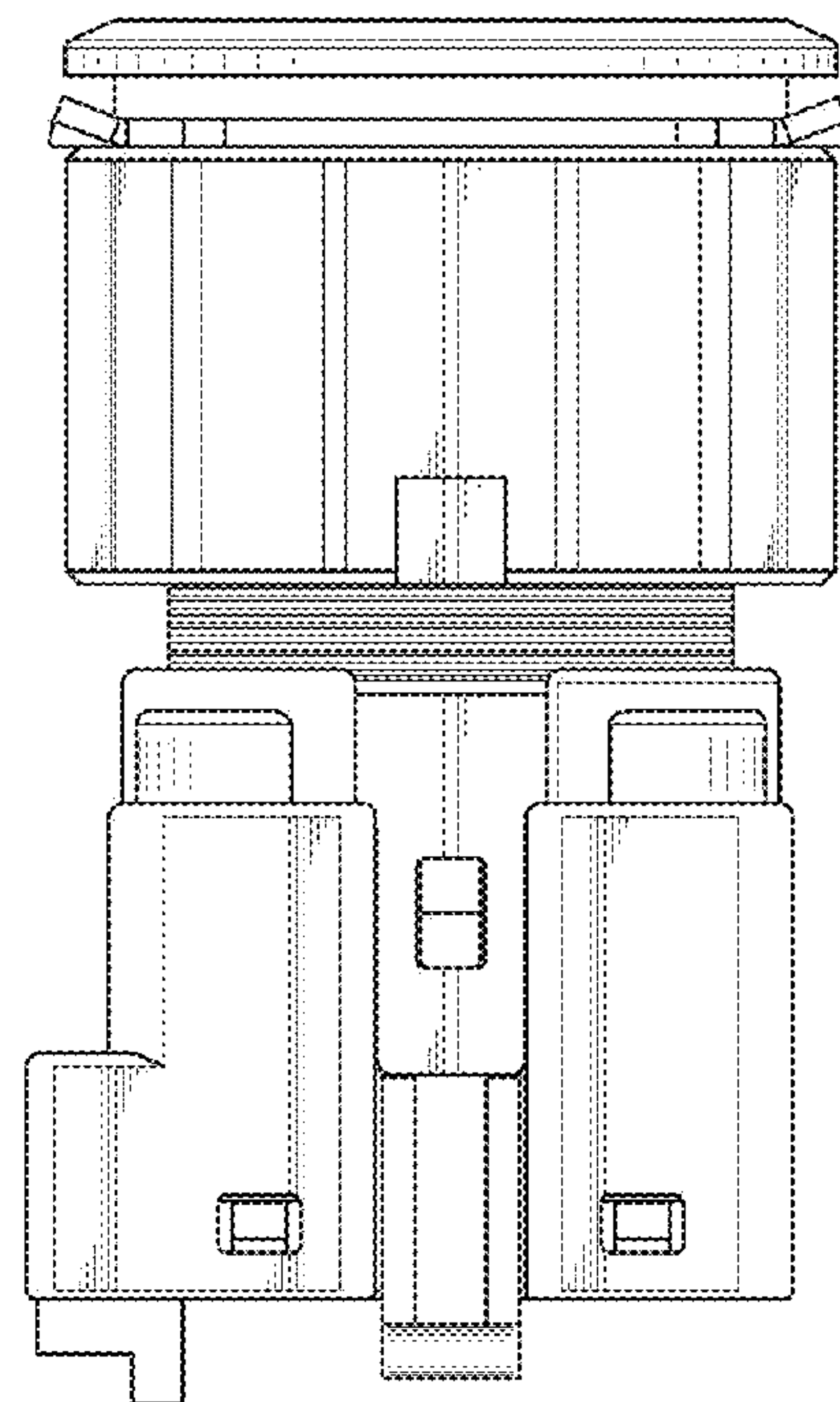


Fig. 3

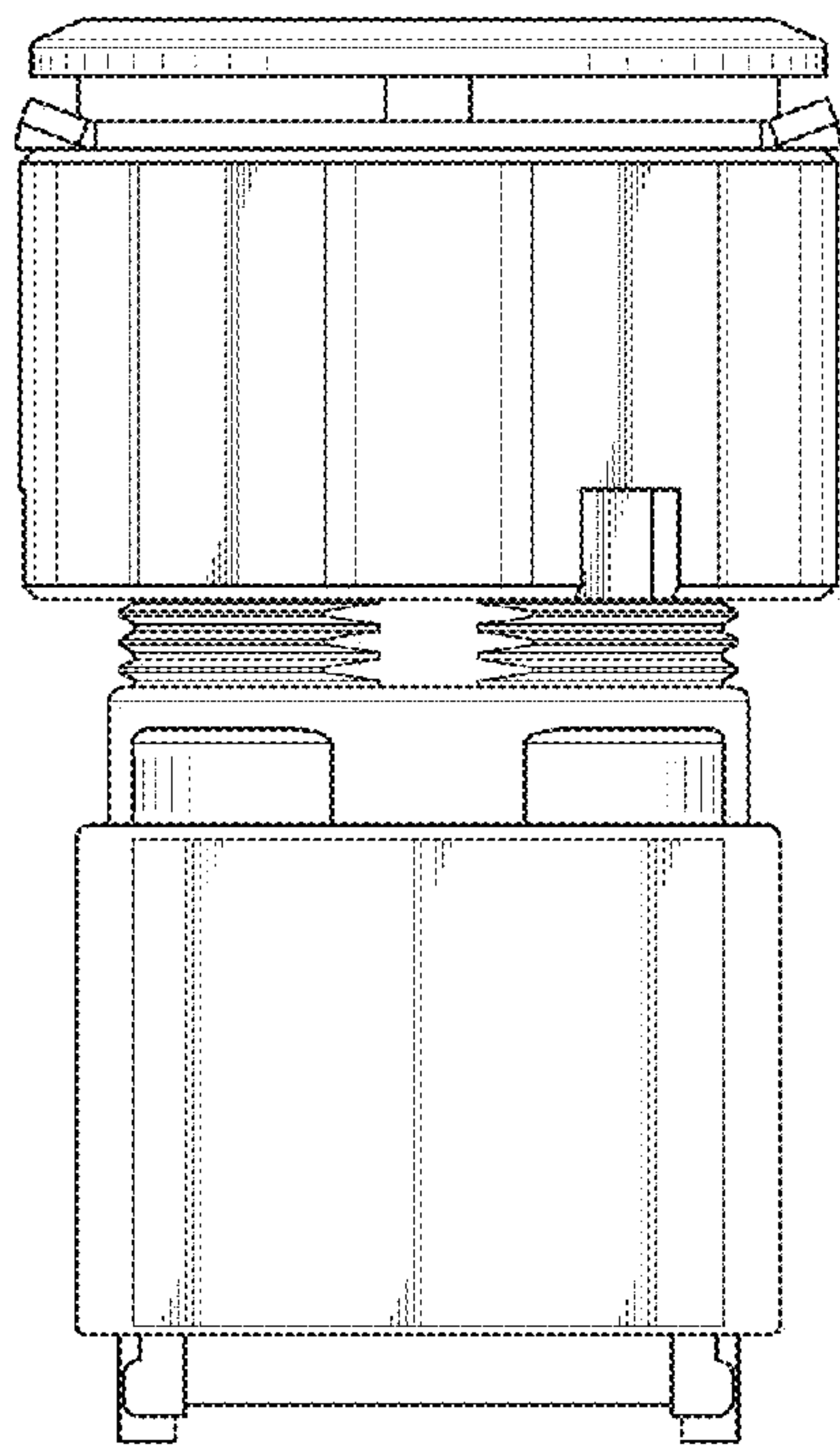


Fig. 4

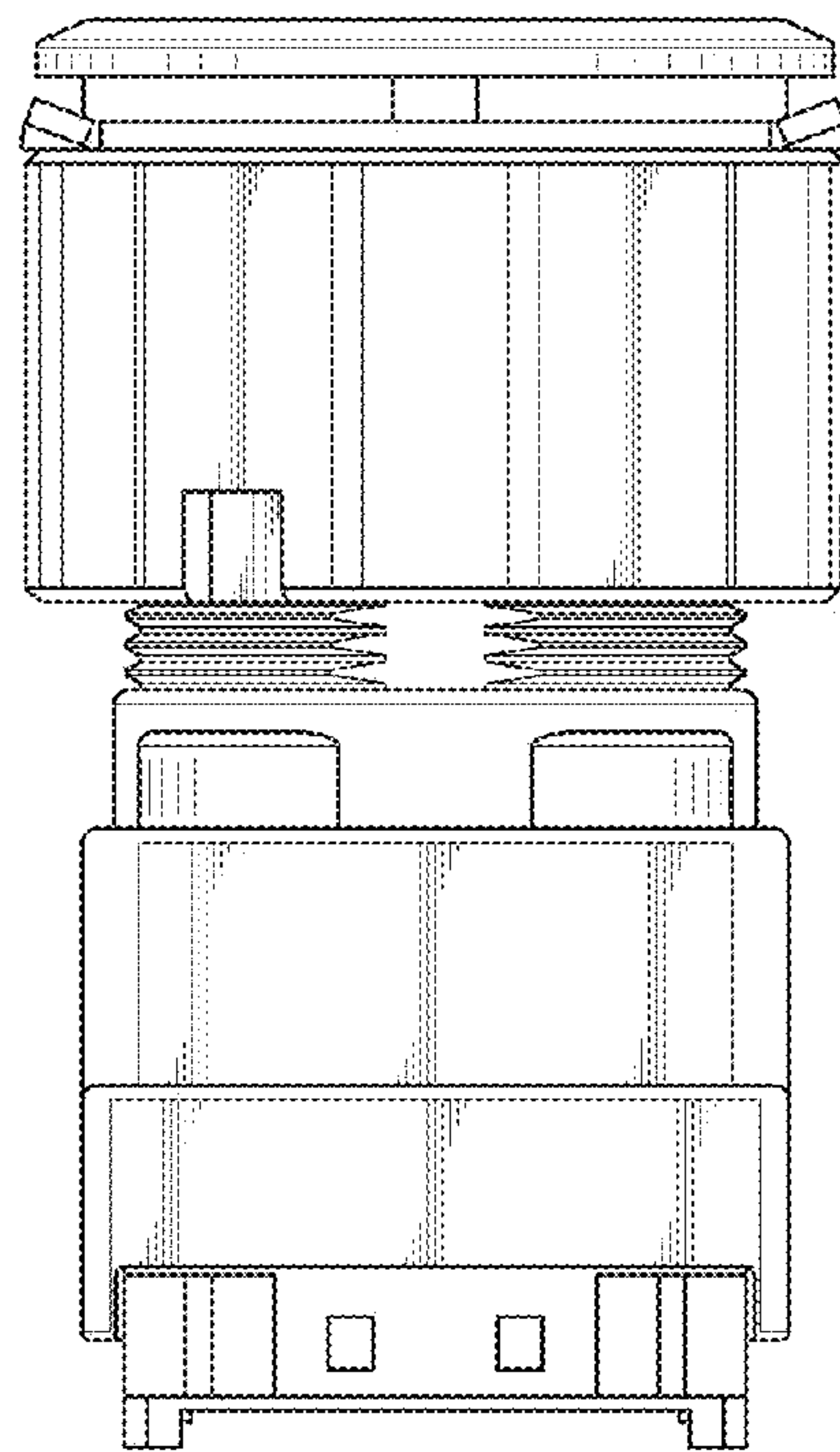


Fig. 5

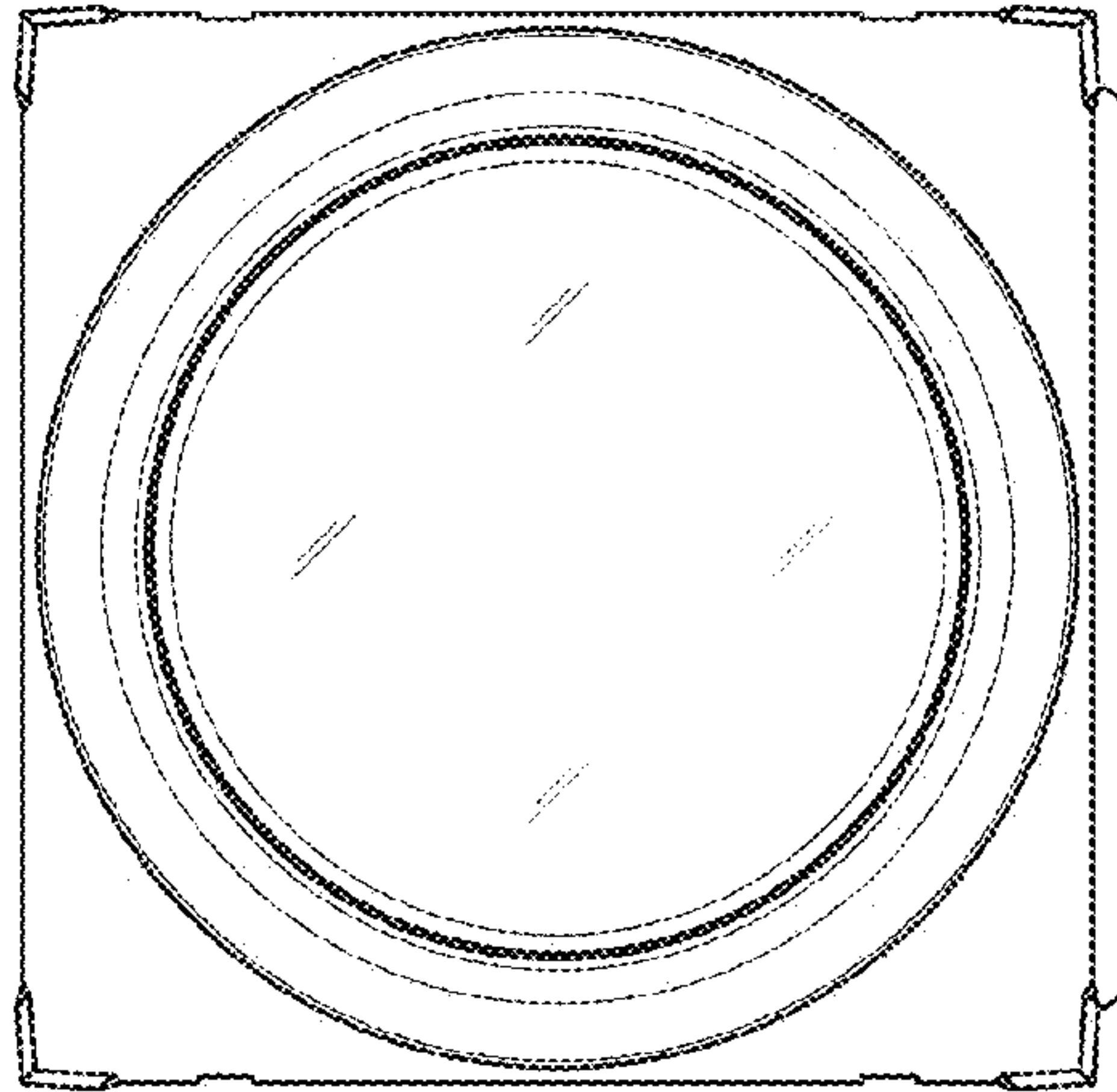


Fig. 6

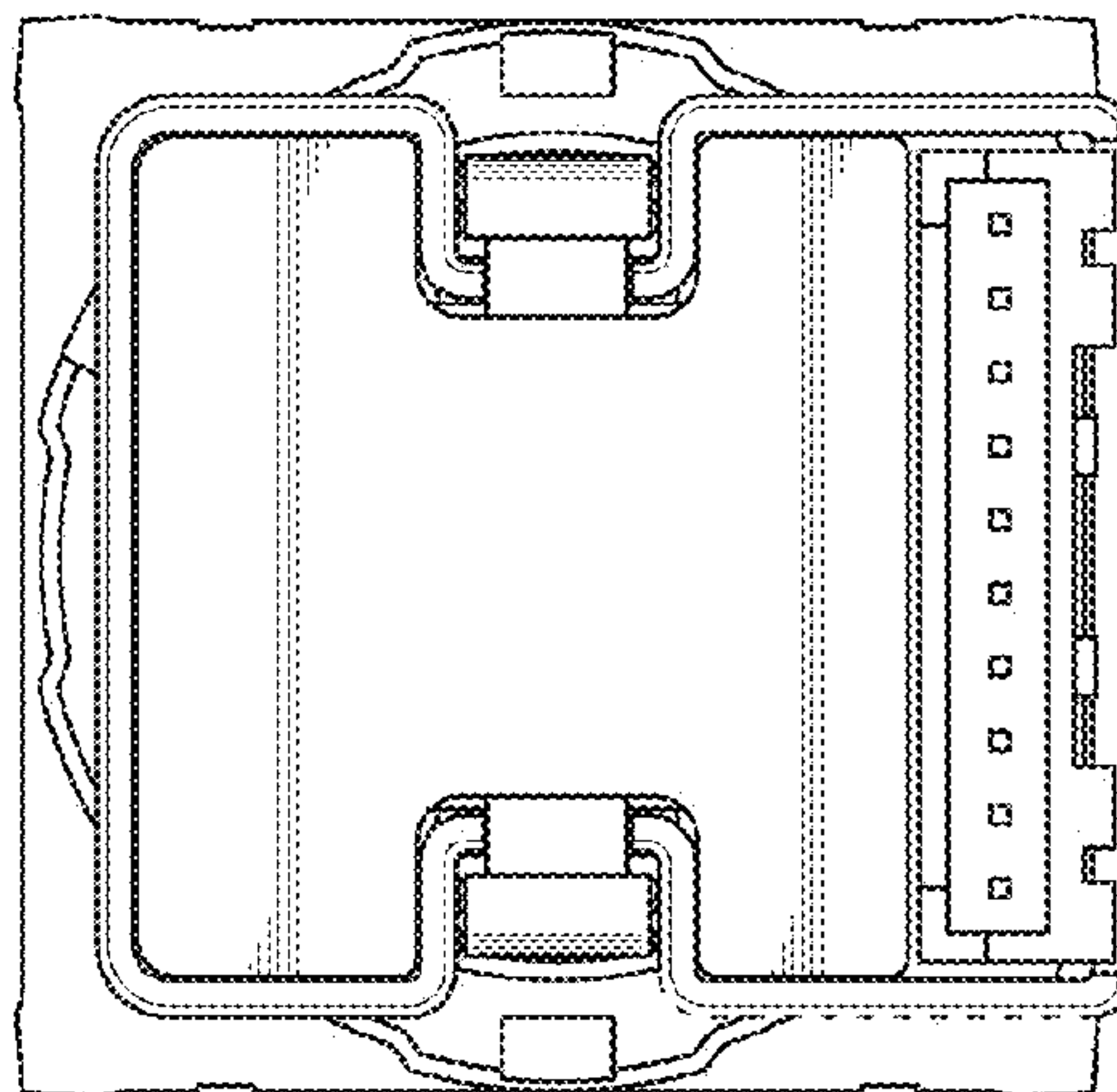




Fig. 7

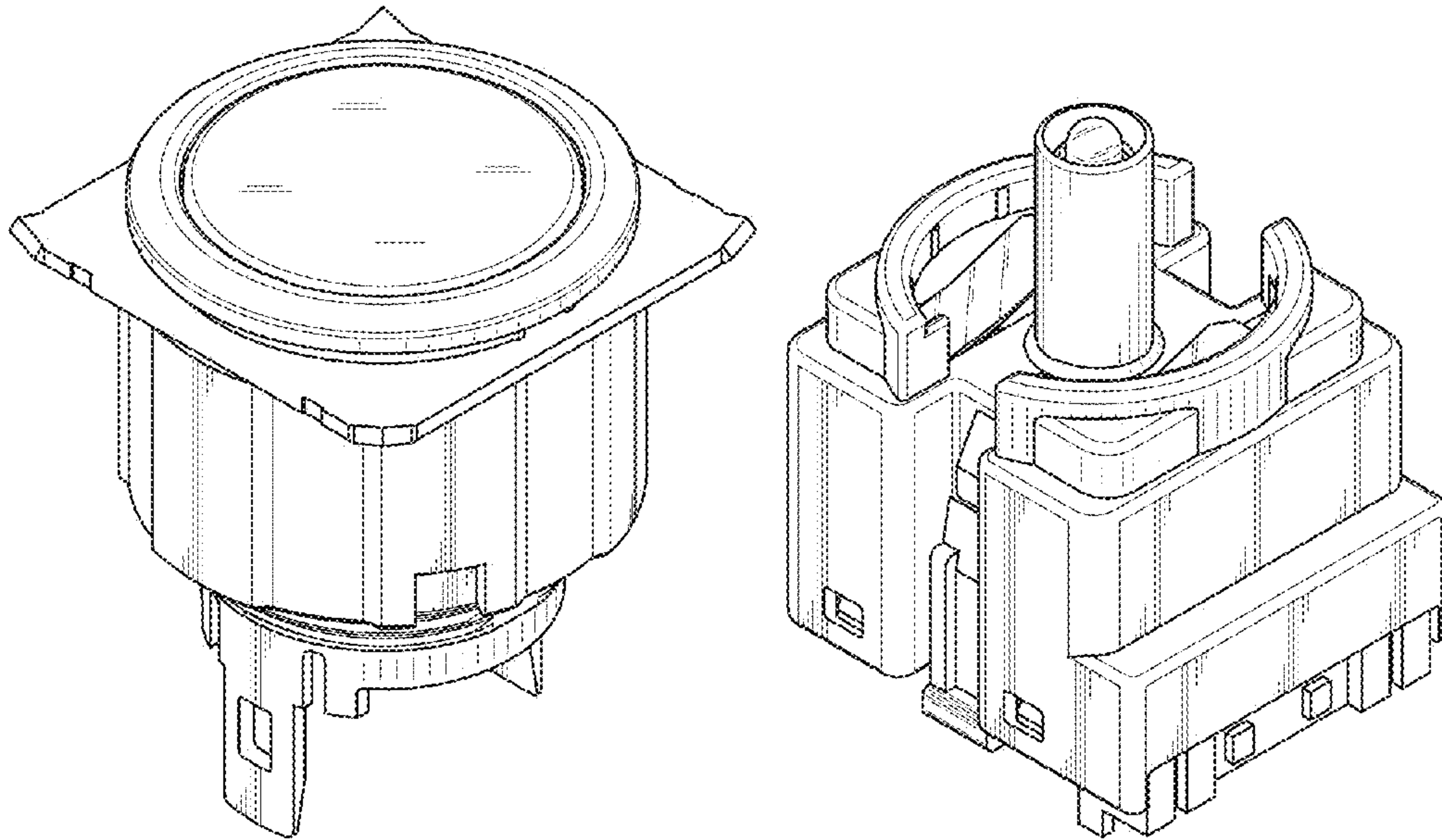


Fig. 8

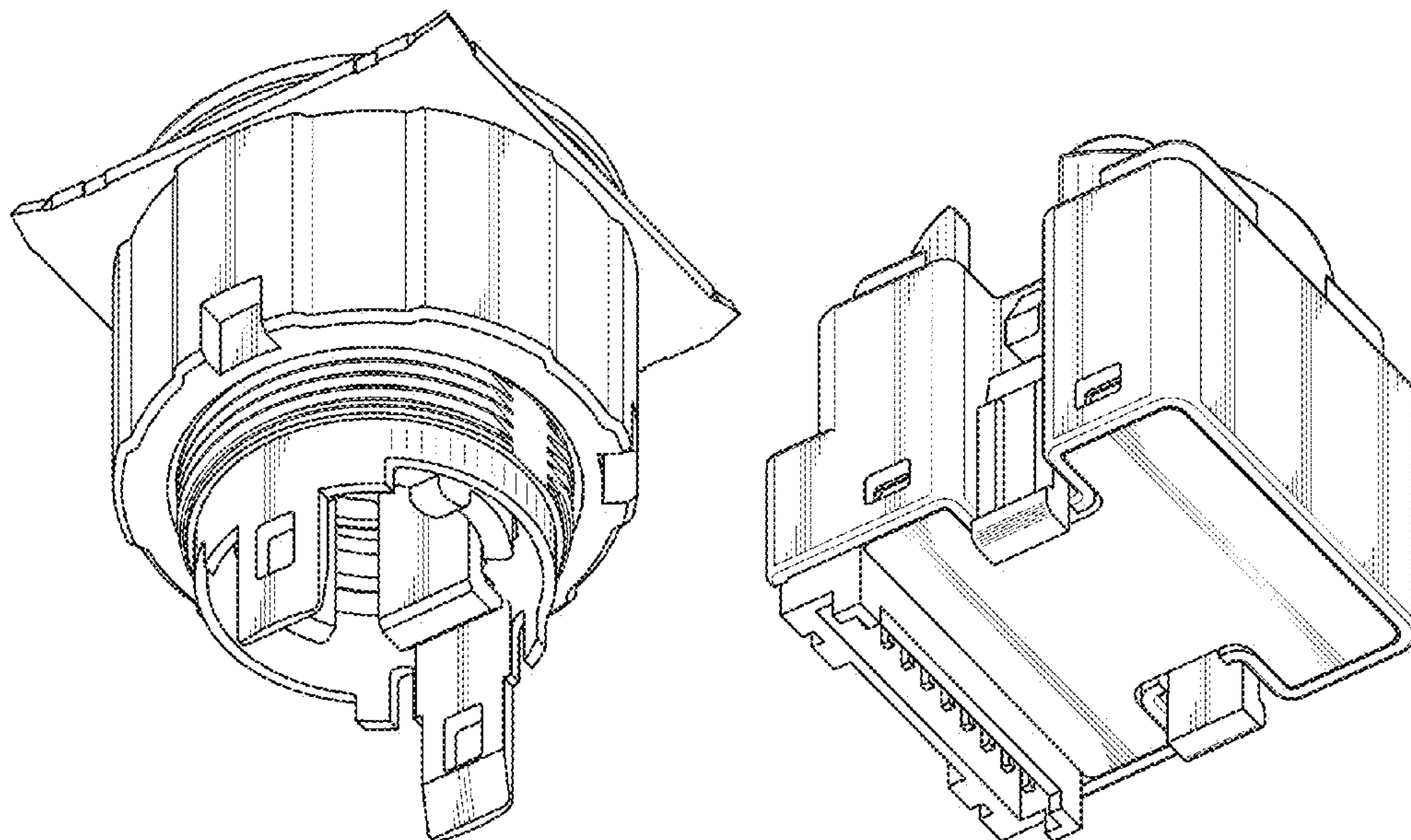


Fig. 9

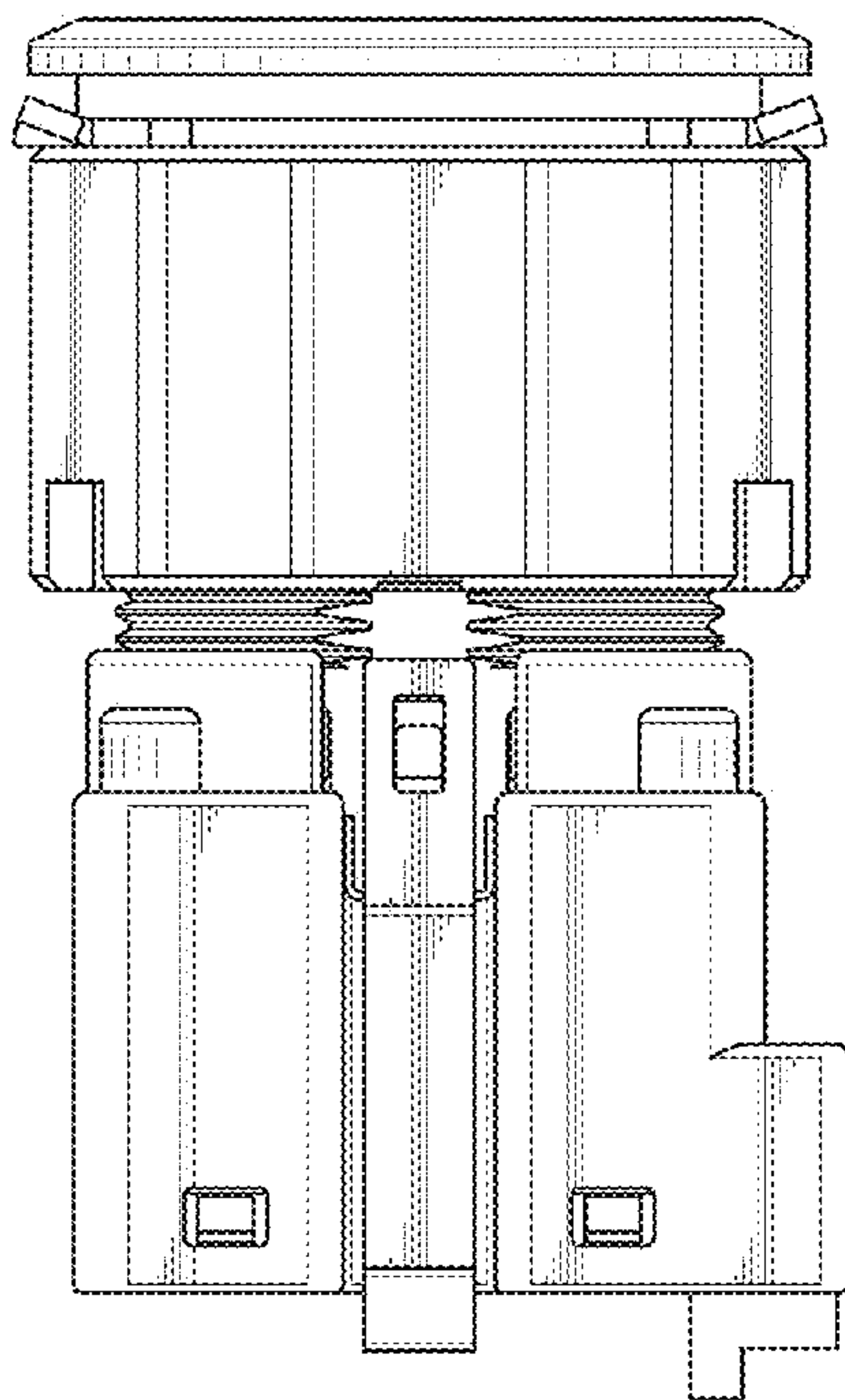


Fig. 10

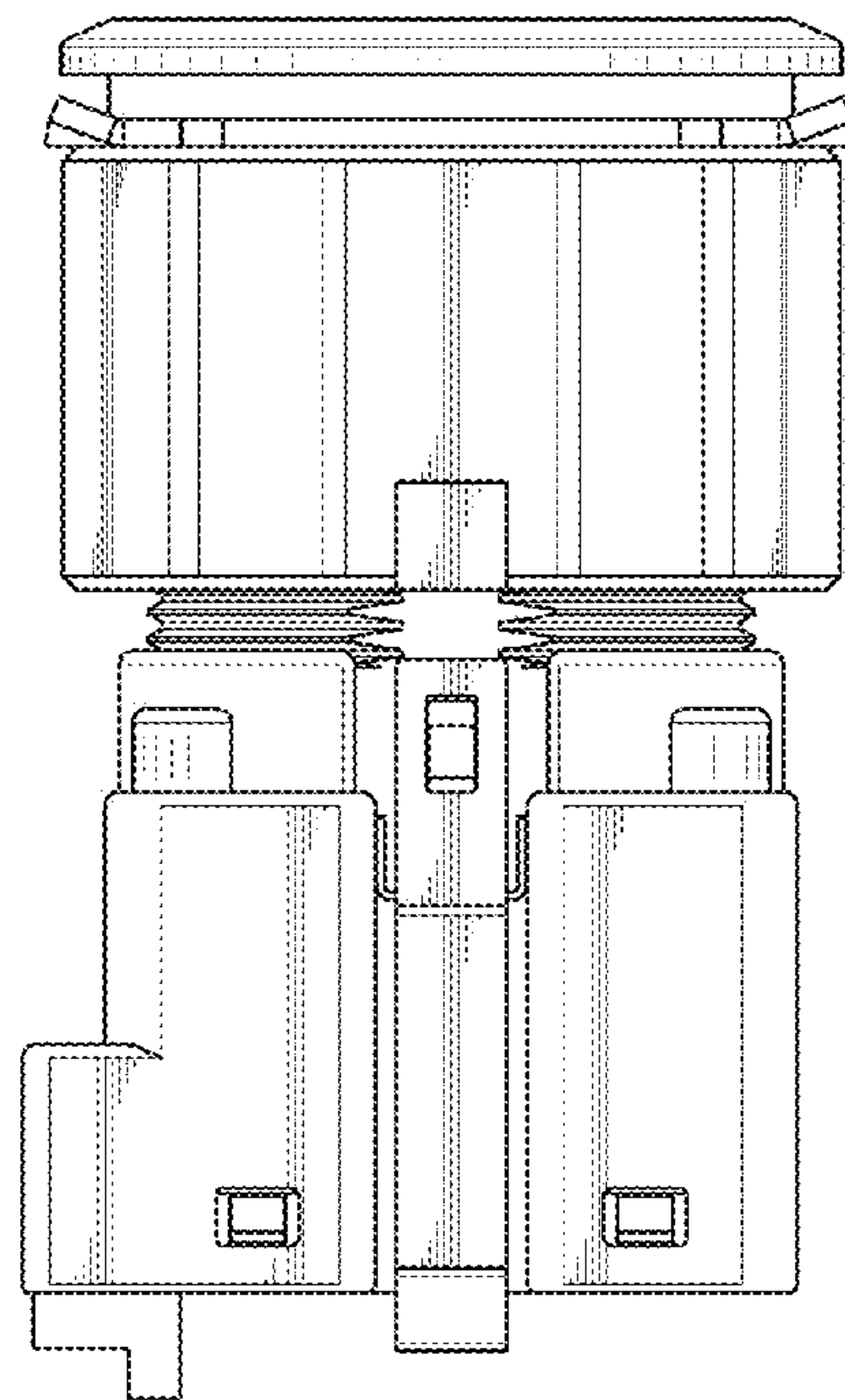


Fig. 11

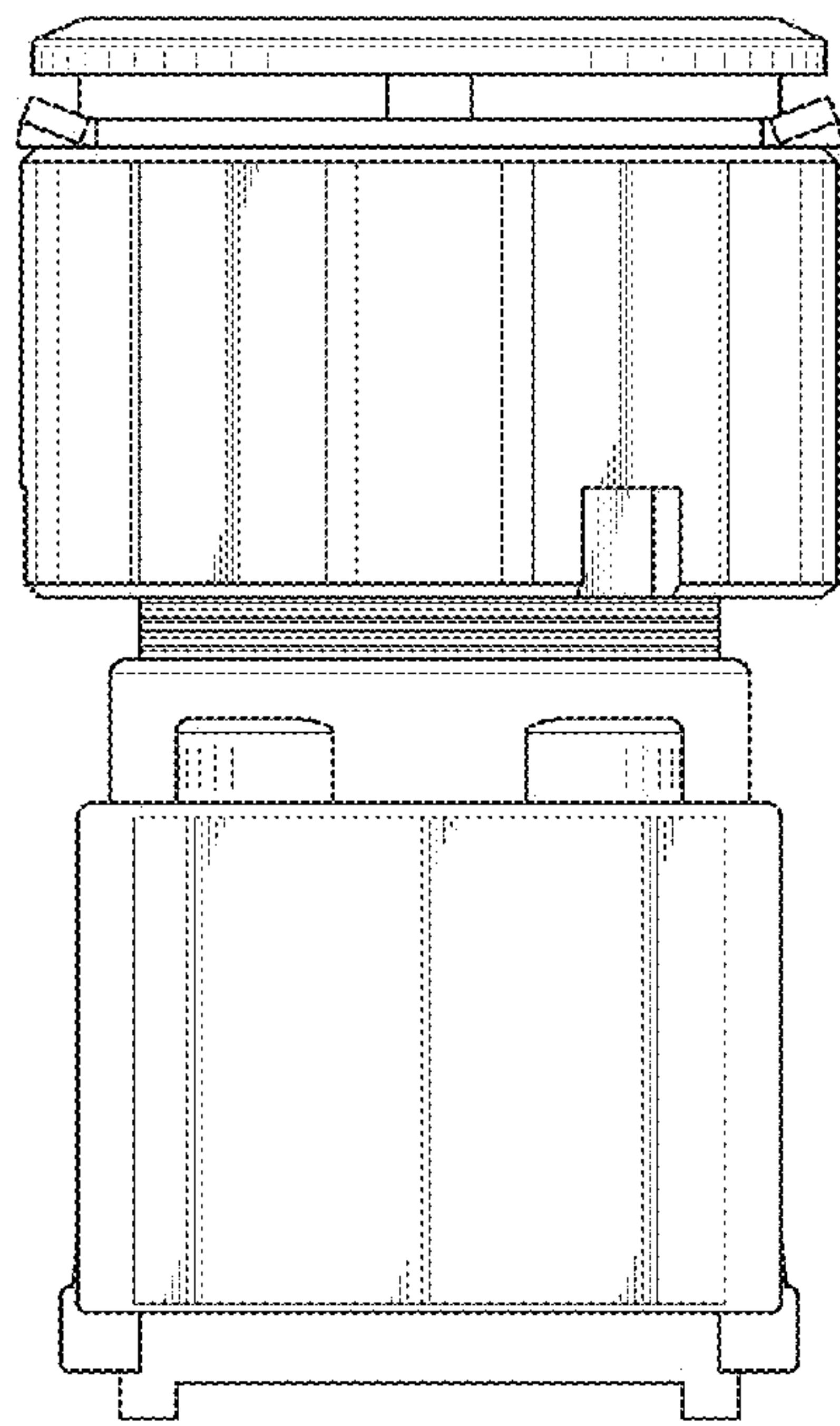


Fig. 12

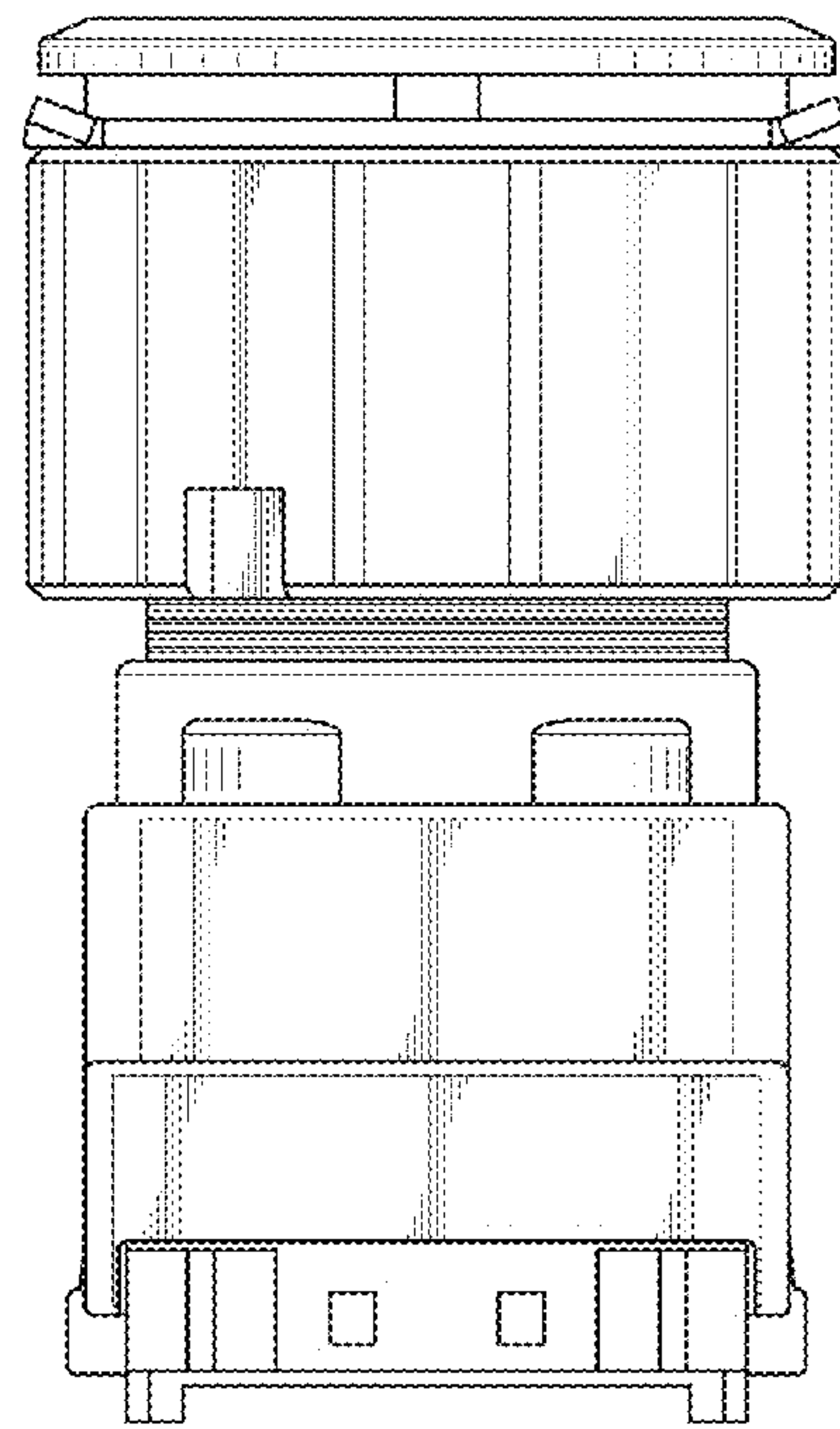




Fig. 13

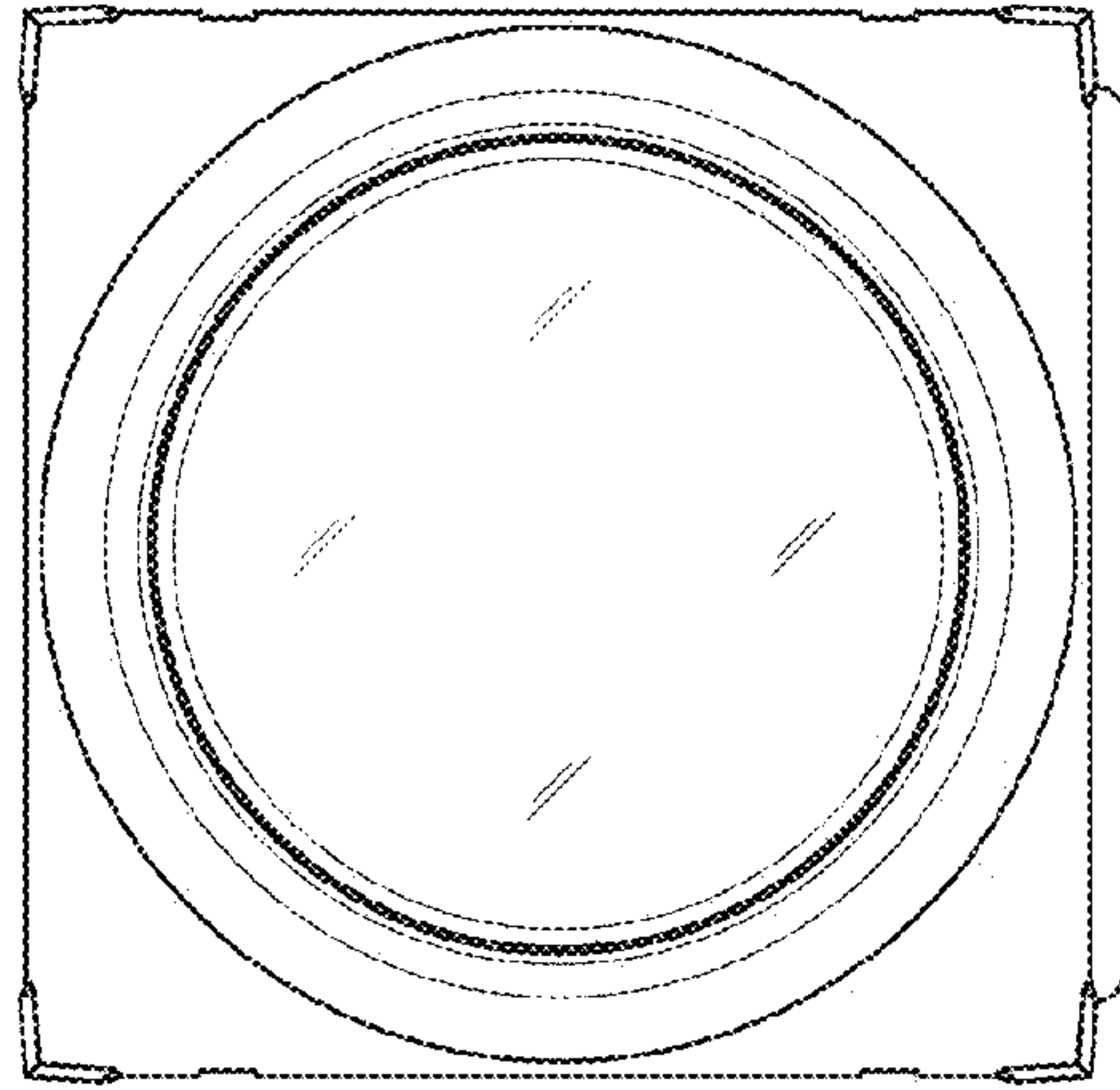


Fig. 14

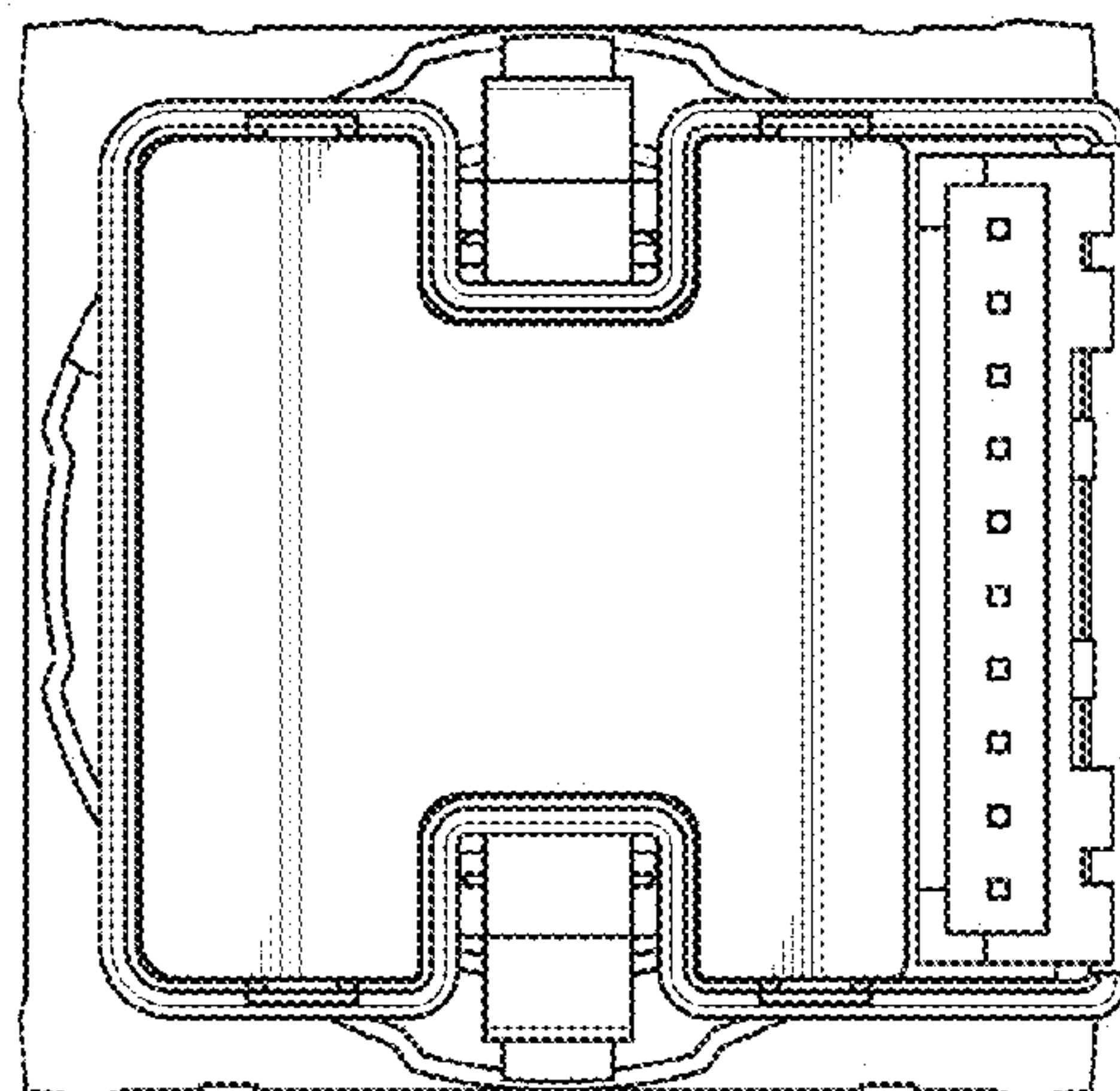


Fig. 15

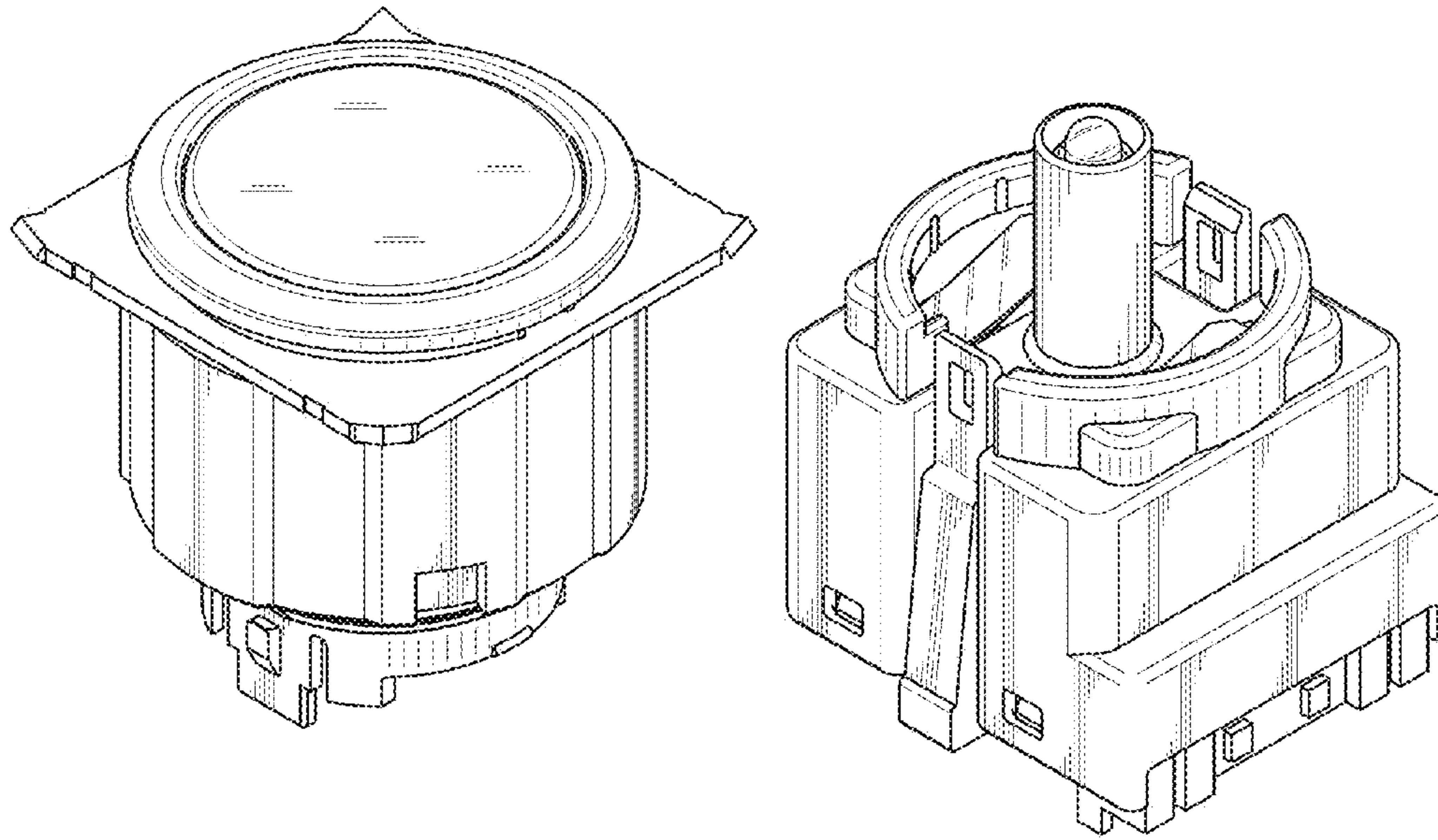


Fig. 16

