



US00D725049S

(12) **United States Design Patent**
Paredes

(10) **Patent No.:** **US D725,049 S**
(45) **Date of Patent:** **** Mar. 24, 2015**

- (54) **GARAGE DOOR ACCESSORY**
- (71) Applicant: **The Chamberlain Group, Inc.**,
Elmhurst, IL (US)
- (72) Inventor: **Apollo Paul Paredes**, Villa Park, IL
(US)
- (73) Assignee: **The Chamberlain Group, Inc.**,
Elmhurst, IL (US)
- (**) Term: **14 Years**
- (21) Appl. No.: **29/478,339**
- (22) Filed: **Jan. 3, 2014**
- (51) **LOC (10) Cl.** **14-03**
- (52) **U.S. Cl.**
USPC **D13/168**
- (58) **Field of Classification Search**
CPC H03J 1/0025; H03J 9/00; H03J 9/02;
H03J 9/04; H03J 9/06; H04B 1/202; G05B
11/01; G08C 17/00; G08C 17/02; G08C
19/28; G07C 9/00309; G07C 9/00182; G07C
9/00944; G07C 9/00174; G07C 2009/00222
USPC D13/168; D14/218; D10/104.1, 106.1;
340/4.3, 4.42, 5.7, 5.71, 12.22, 12.23,
340/12.24, 12.29, 12.3, 12.5, 12.55, 13.2,
340/13.21, 13.24; 341/176; 700/17, 65, 83
See application file for complete search history.

| | | | | | | |
|--------------|----|---|---------|------------------|-------|------------|
| D495,303 | S | * | 8/2004 | Coullahan et al. | | D13/168 |
| D524,295 | S | * | 7/2006 | Jacobson et al. | | D14/218 |
| 7,215,238 | B2 | * | 5/2007 | Buck et al. | | 340/5.23 |
| D546,295 | S | * | 7/2007 | Marchetto et al. | | D13/168 |
| D547,275 | S | * | 7/2007 | Bonnaud | | D13/168 |
| D589,497 | S | * | 3/2009 | Andre et al. | | D14/218 |
| D592,158 | S | * | 5/2009 | Peterson et al. | | D13/168 |
| D613,626 | S | * | 4/2010 | Wang | | D10/50 |
| D614,145 | S | * | 4/2010 | Arosio | | D13/168 |
| D614,977 | S | * | 5/2010 | Hollnagel et al. | | D10/50 |
| D667,382 | S | * | 9/2012 | Cosentino et al. | | D13/168 |
| D673,512 | S | * | 1/2013 | Huang | | D13/168 |
| D701,496 | S | * | 3/2014 | Namminga | | D13/168 |
| D715,228 | S | * | 10/2014 | Lee et al. | | D13/158 |
| 2013/0063259 | A1 | * | 3/2013 | Kramer et al. | | 340/539.11 |
| 2013/0176243 | A1 | * | 7/2013 | BianRosa et al. | | 345/173 |

* cited by examiner

Primary Examiner — Selina Sikder

(74) *Attorney, Agent, or Firm* — Fitch, Even, Tabin & Flannery LLP

(57) **CLAIM**

I claim the ornamental design for a garage door accessory, as shown and described.

DESCRIPTION

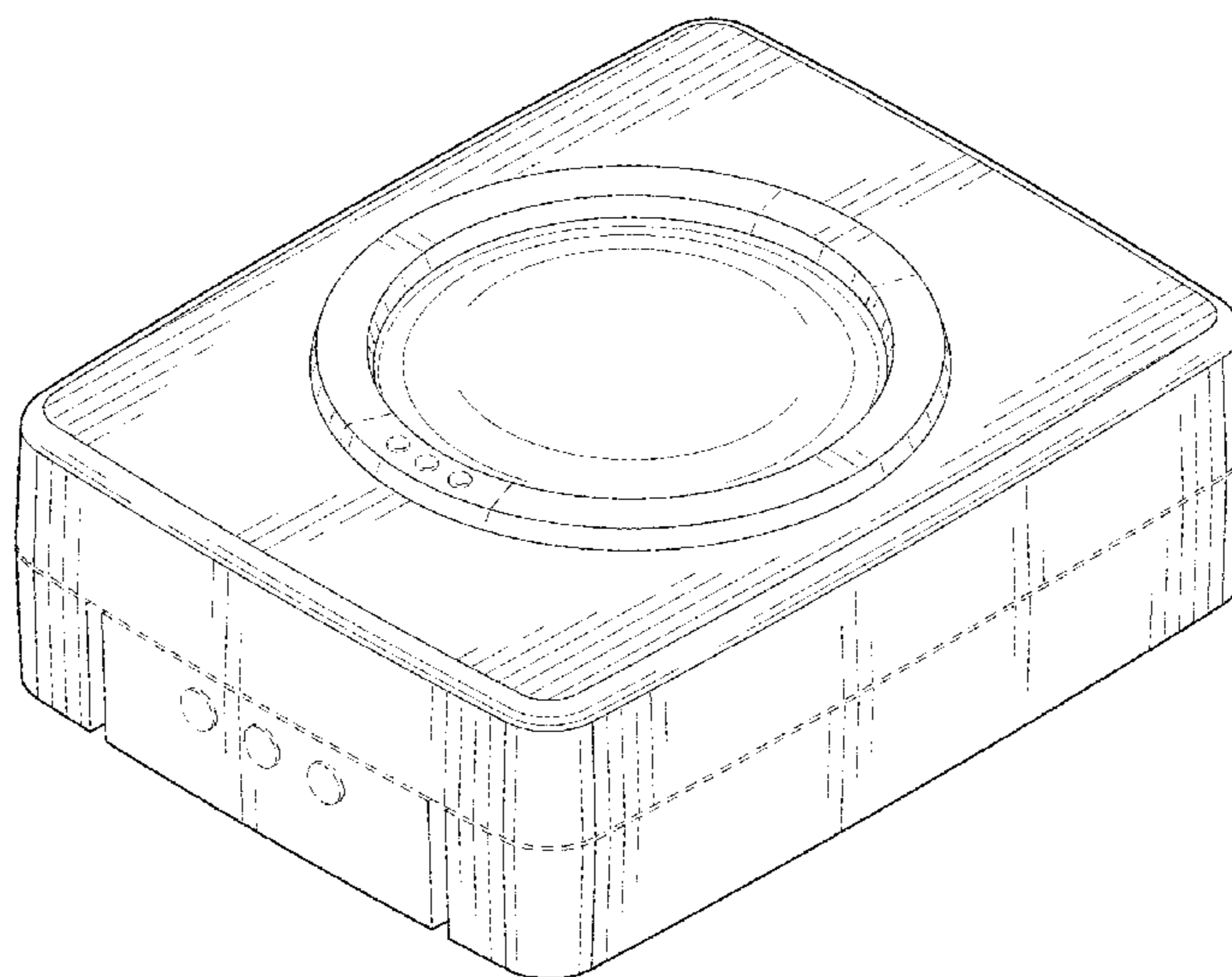
FIG. 1 is a top perspective view of my new design comprising a garage door accessory;
 FIG. 2 is a top view of the garage door accessory of FIG. 1;
 FIG. 3 is a bottom view of the garage door accessory of FIG. 1;
 FIG. 4 is a rear view of the garage door accessory of FIG. 1;
 FIG. 5 is a front view of the garage door accessory of FIG. 1;
 FIG. 6 is a left side view of the garage door accessory of FIG. 1; and,
 FIG. 7 is a right side view of the garage door accessory of FIG. 1.
 The broken lines shown in the drawings are for illustrative purposes only and form no part of the claimed design.

1 Claim, 4 Drawing Sheets

(56) **References Cited**

U.S. PATENT DOCUMENTS

| | | | | | | |
|-----------|----|---|--------|------------------|-------|------------|
| D405,424 | S | * | 2/1999 | Winkler et al. | | D13/168 |
| D413,867 | S | * | 9/1999 | Mullet et al. | | D13/162 |
| D435,835 | S | * | 1/2001 | Steck | | D13/168 |
| 6,377,173 | B1 | * | 4/2002 | Desai | | 340/426.36 |
| 6,525,645 | B2 | * | 2/2003 | King et al. | | 340/5.7 |
| D478,605 | S | * | 8/2003 | Guzman et al. | | D13/168 |
| D490,380 | S | * | 5/2004 | Coullahan et al. | | D13/168 |
| D494,144 | S | * | 8/2004 | Guzman et al. | | D13/168 |



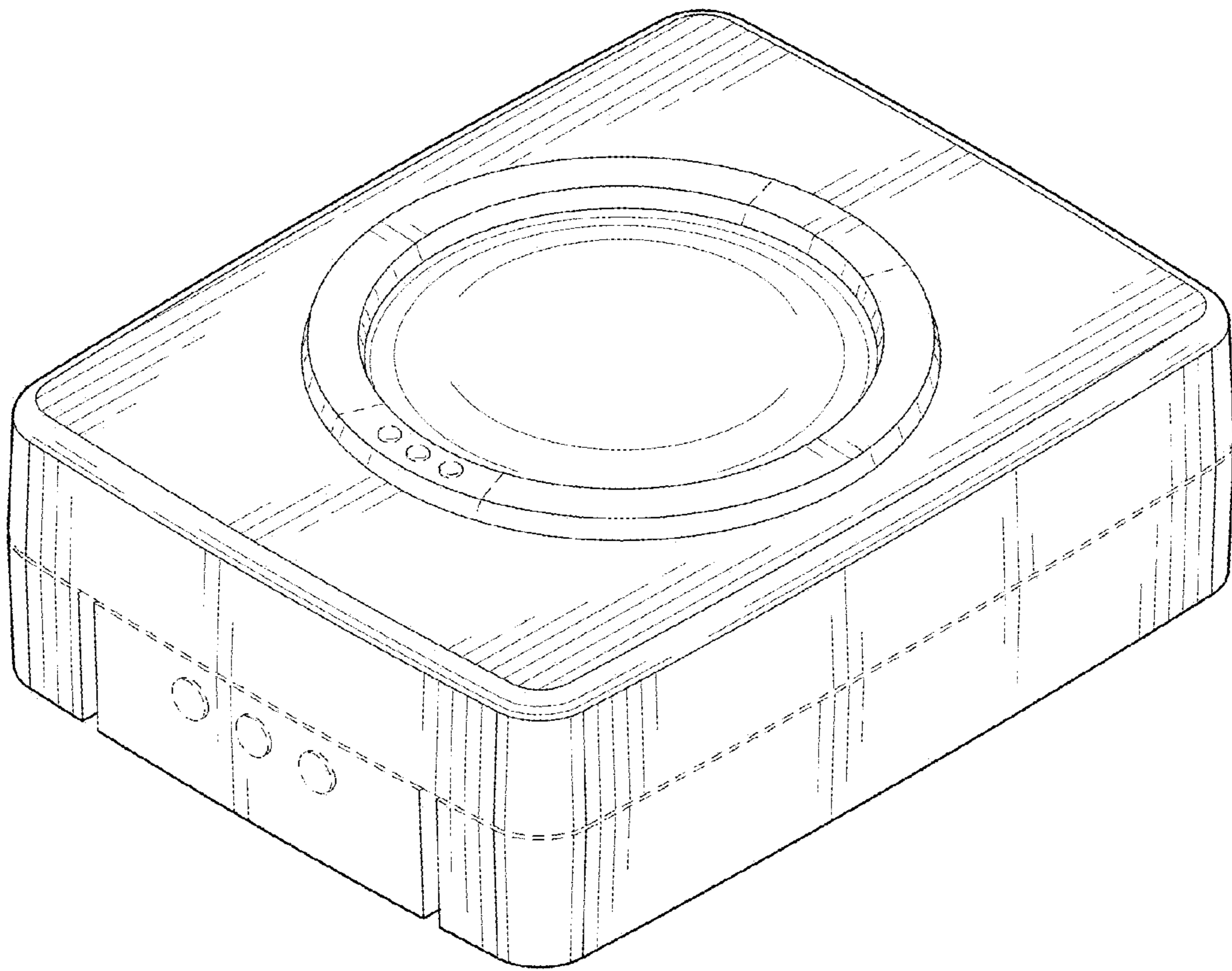


FIG. 1

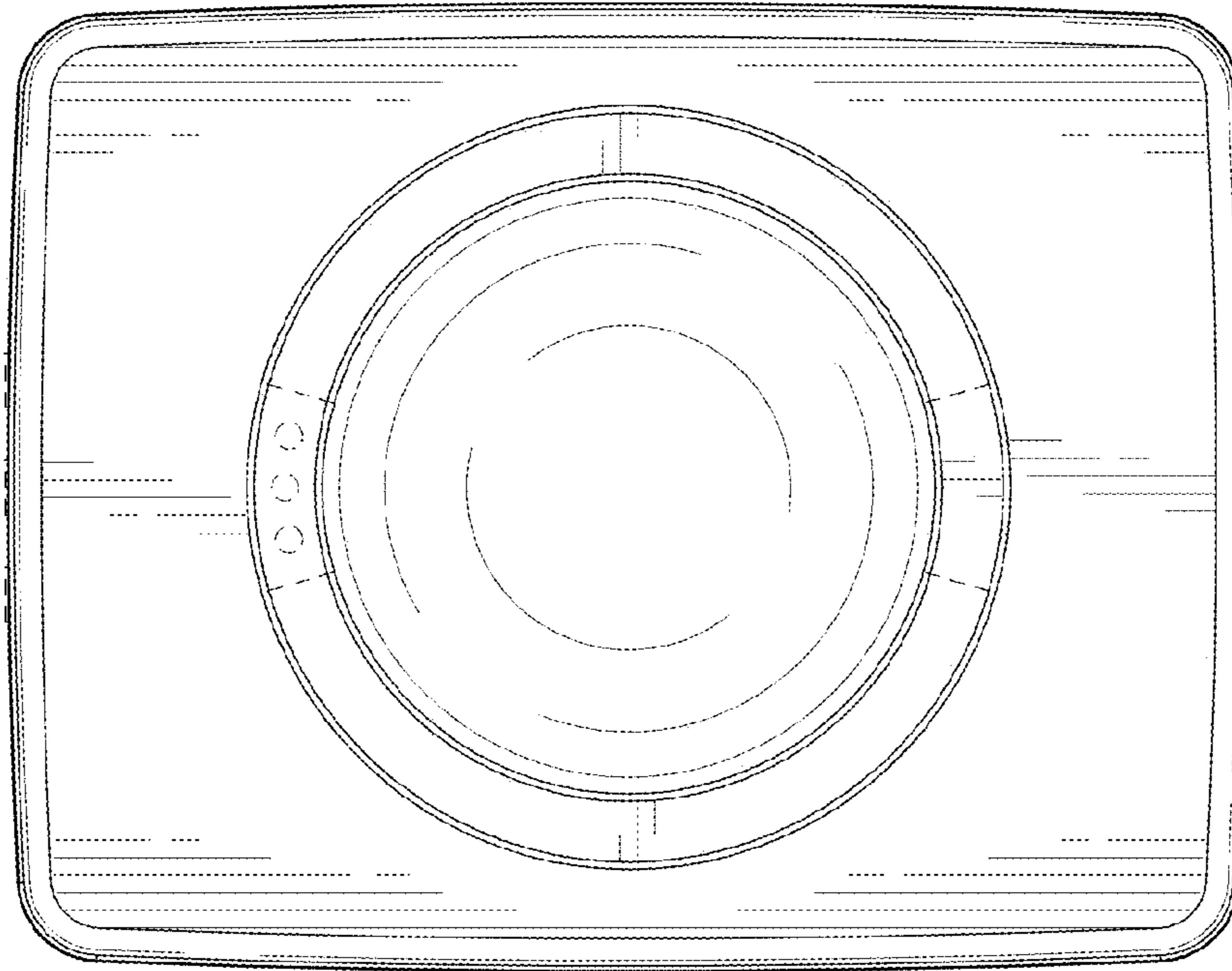


FIG. 2

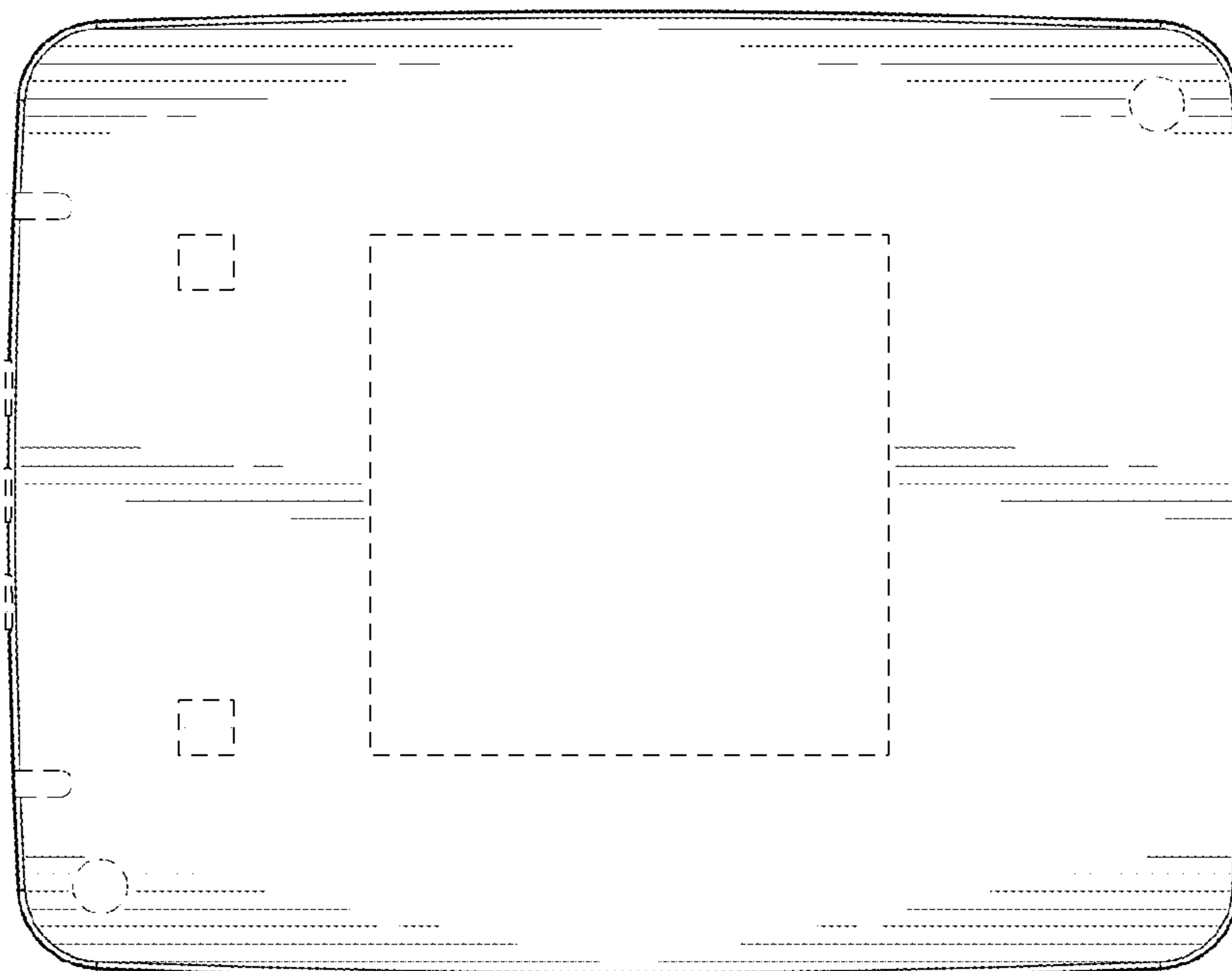


FIG. 3

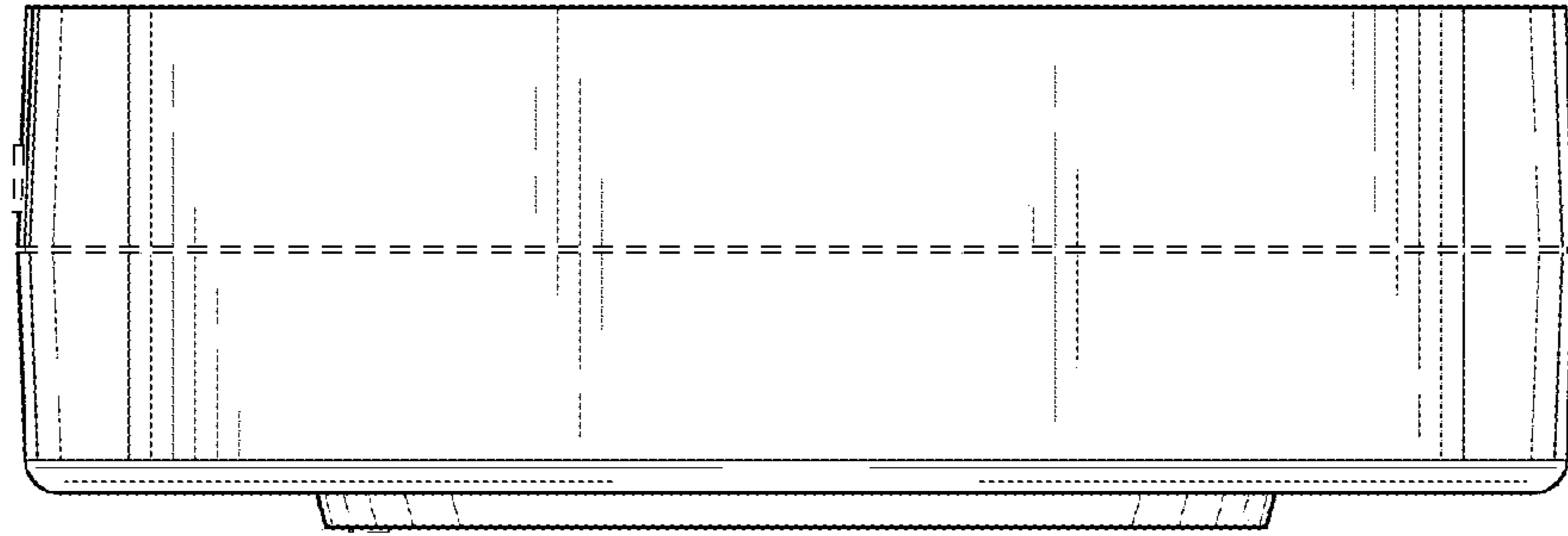


FIG. 4

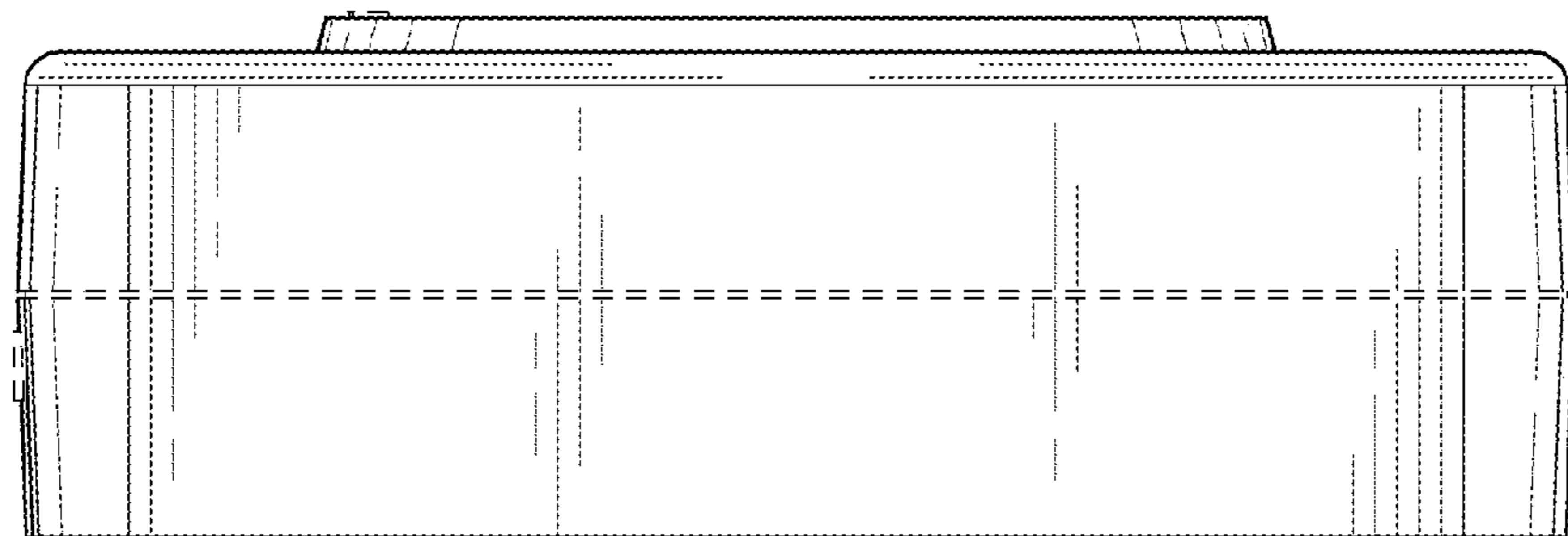


FIG. 5

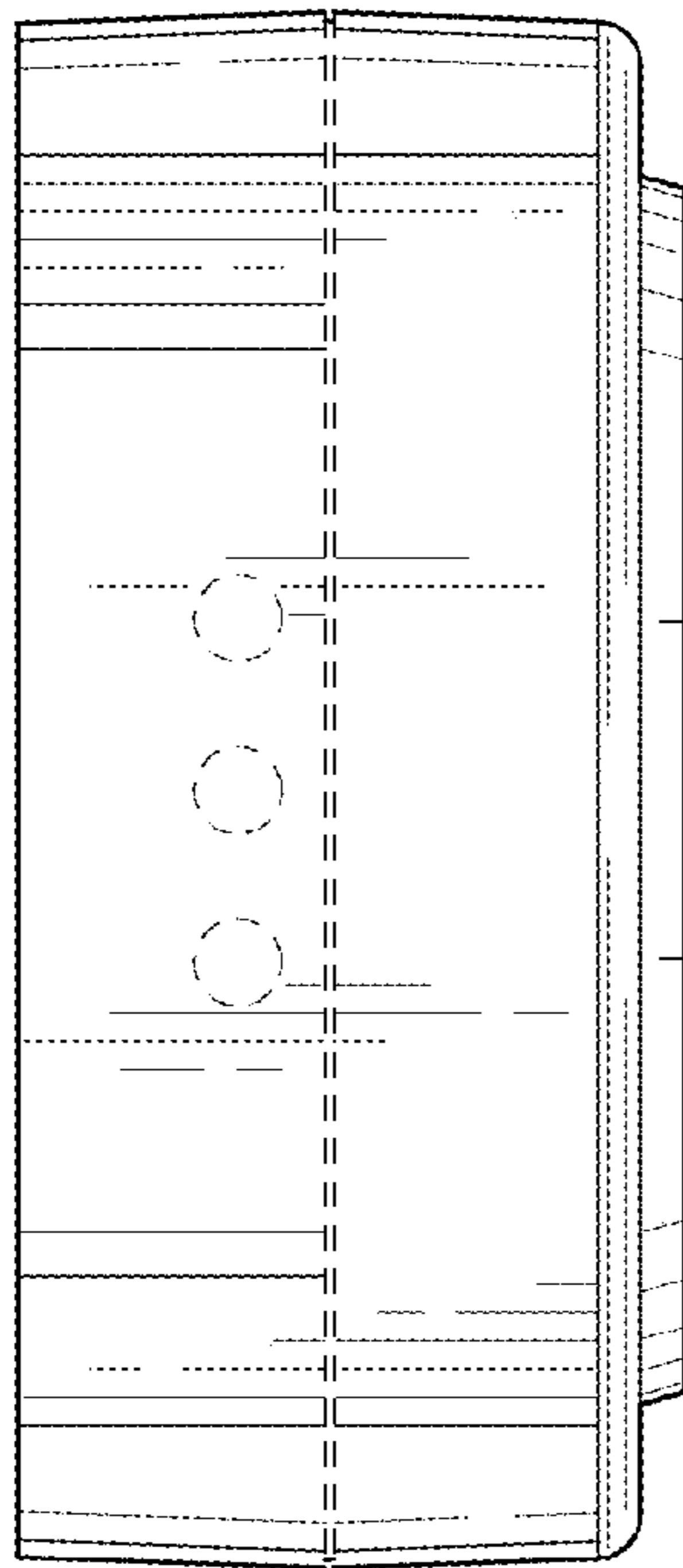


FIG. 6

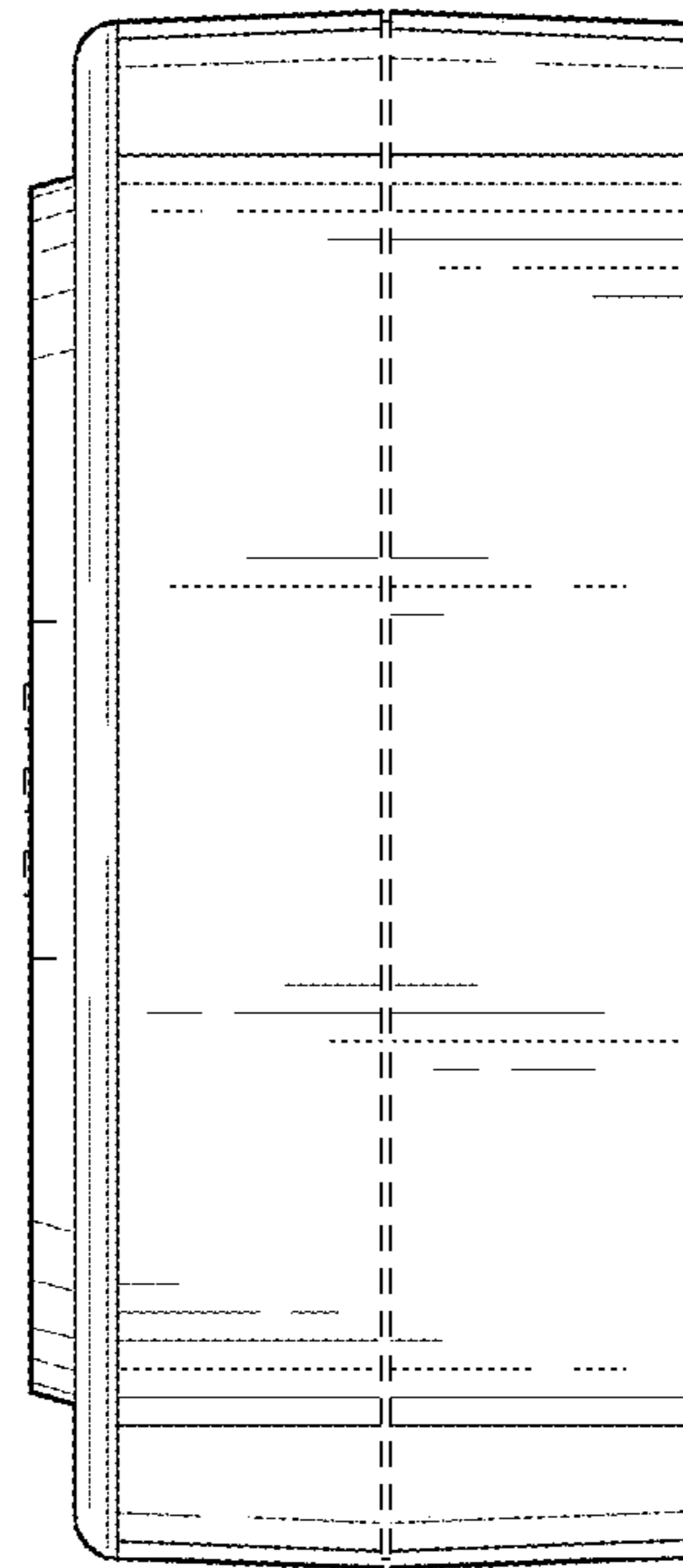


FIG. 7