



US00D725048S

(12) **United States Design Patent**
Välivainio et al.

(10) **Patent No.:** **US D725,048 S**
(45) **Date of Patent:** **** Mar. 24, 2015**

(54) **SWITCH**

D654,878 S * 2/2012 Mattlar et al. D13/158
D655,680 S * 3/2012 Mattlar et al. D13/158
D679,663 S * 4/2013 Mattlar et al. D13/158

(71) Applicant: **ABB Oy**, Helsinki (FI)

(72) Inventors: **Mikko Välivainio**, Vaasa (FI); **Oskari Uitto**, Vaasa (FI); **Juha Soldan**, Vaasa (FI)

(73) Assignee: **ABB Oy**, Helsinki (FI)

(**) Term: **14 Years**

(21) Appl. No.: **29/477,109**

(22) Filed: **Dec. 19, 2013**

(30) **Foreign Application Priority Data**

Oct. 21, 2013 (EM) 002329821

(51) **LOC (10) Cl.** **13-03**

(52) **U.S. Cl.**
USPC **D13/158**

(58) **Field of Classification Search**
USPC D13/110, 123, 147, 151, 158-177, 184;
200/43, 295, 296, 308, 310, 314, 329,
200/340, 1 R, 5 A, 5 R, 6 R; 439/491, 535;
335/202, 251, 262
See application file for complete search history.

(56) **References Cited**

U.S. PATENT DOCUMENTS

5,424,900 A * 6/1995 Kiiskinen et al. 361/116
D571,303 S * 6/2008 Jokiniemi et al. D13/158
D642,991 S * 8/2011 Mattlar et al. D13/158
D653,624 S * 2/2012 Mattlar et al. D13/158
D654,441 S * 2/2012 Mattlar et al. D13/158

OTHER PUBLICATIONS

Non-fusible disconnect switches, [online, p. 19], [site visited Aug. 11, 2014]. Available from Internet, <URL: <http://www.clrwtr.com/PDF/ABB-Controls/ABB-Non-Fusible-Disconnects.pdf>>.*
DC disconnect switch, [online], [site visited Aug. 11, 2014]. Available from Internet, <URL: <http://www.directindustry.com/prod/abb-breakers-switches/dc-disconnect-switches-88554-1348755.html>>.*
Switch-Disconnectors—OT, [online], [site visited Aug. 11, 2014]. Available from Internet, <URL: <http://www.abb.com/product/seitp329/25fd8b166ddc692fc1256e91002982dd.aspx?tabKey=2&gid=ABB1SCA123767R1001&cid=9AAC100796>>.*

* cited by examiner

Primary Examiner — Thomas Johannes

Assistant Examiner — Shawn T Gingrich

(74) *Attorney, Agent, or Firm* — Buchanan Ingersoll & Rooney PC

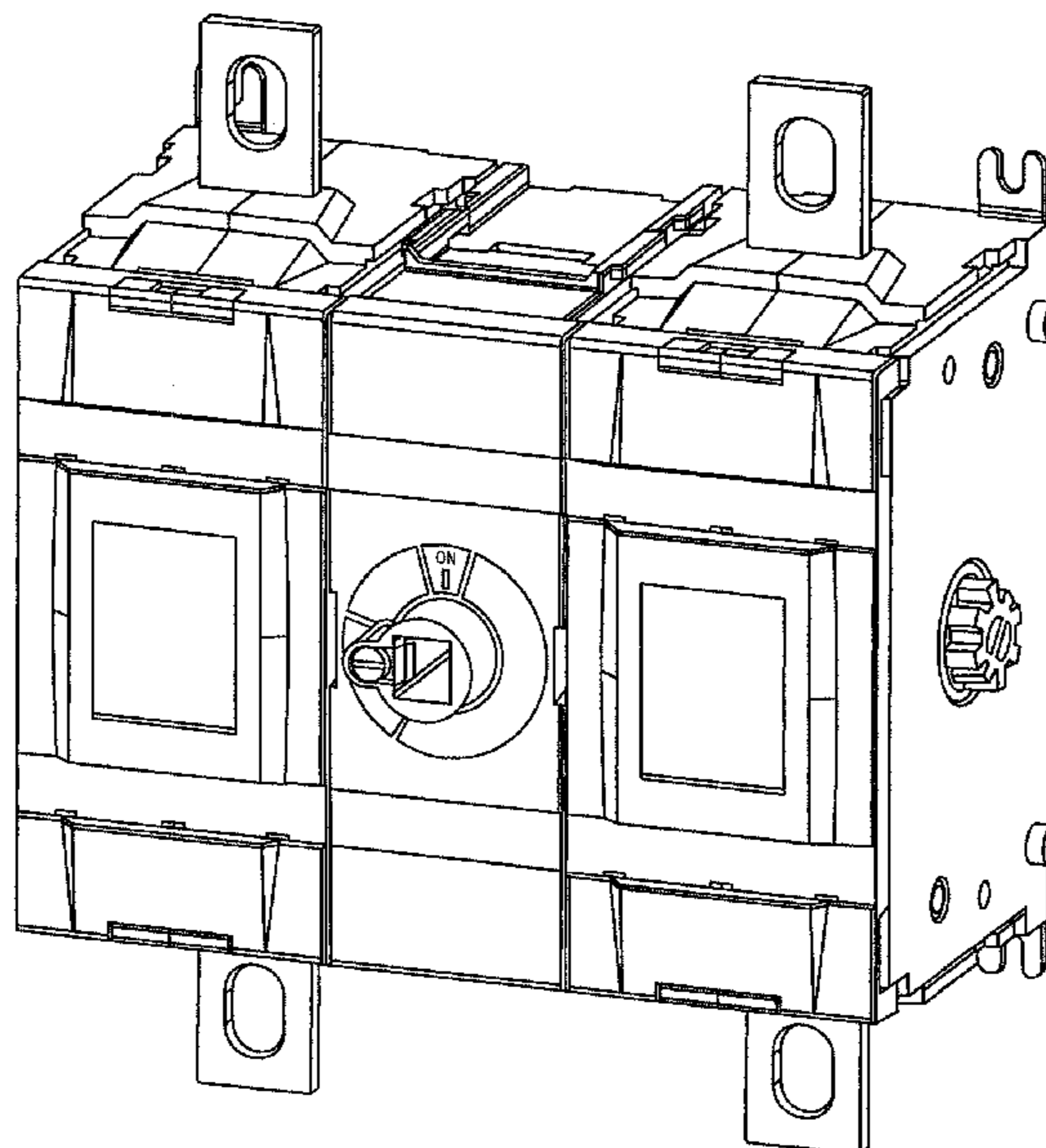
(57) **CLAIM**

The ornamental design for a switch, as shown and described.

DESCRIPTION

FIG. 1 is a front perspective view of a switch showing our new design.
FIG. 2 is a front elevational view thereof.
FIG. 3 is a bottom plan view thereof.
FIG. 4 is a top plan view thereof.
FIG. 5 is a left end elevational view thereof; and,
FIG. 6 is a right end elevational view thereof.
The broken line portion of the figure drawings is included to show unclaimed subject matter only and forms no part of the claimed design.

1 Claim, 5 Drawing Sheets



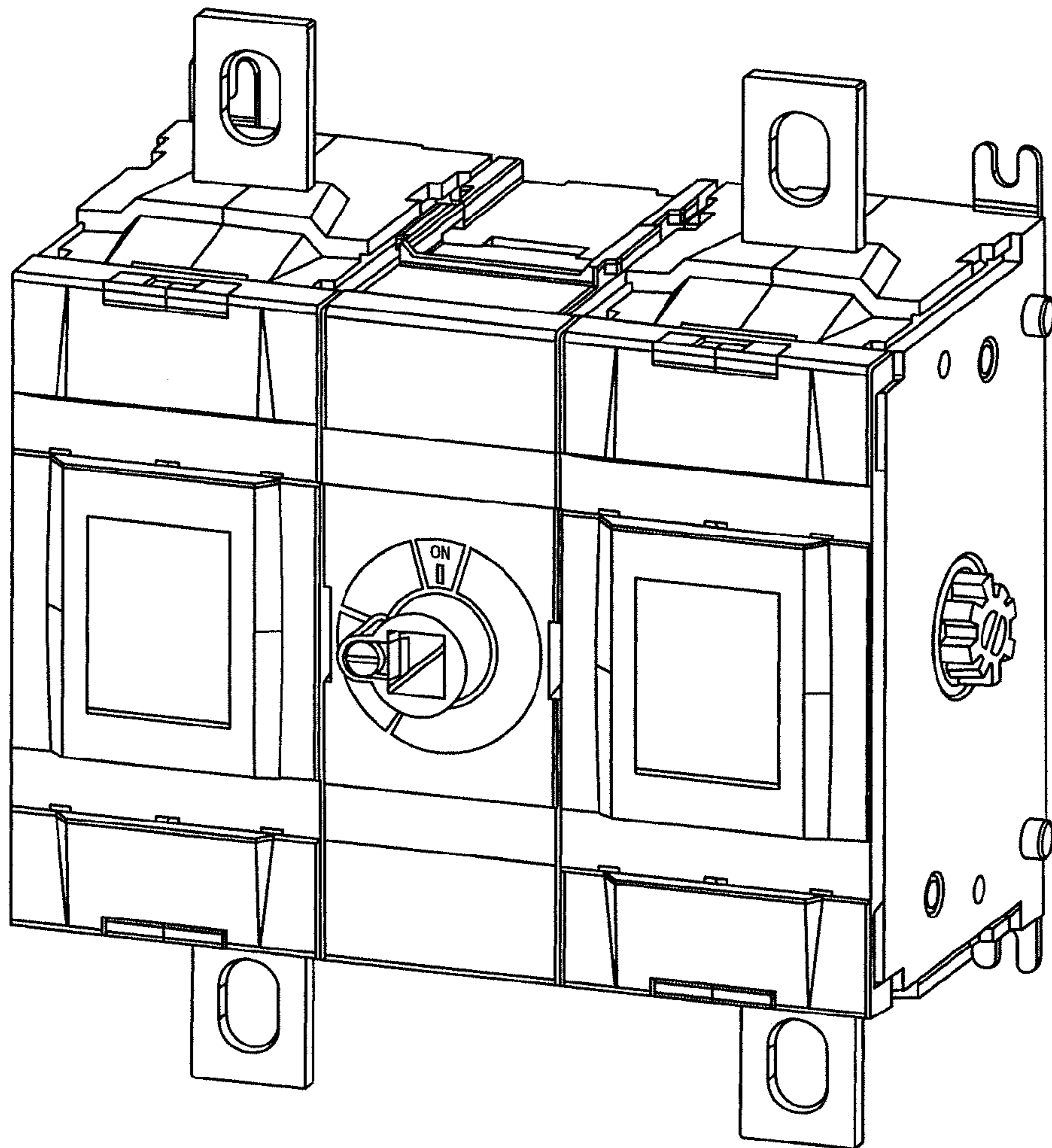


FIG. 1

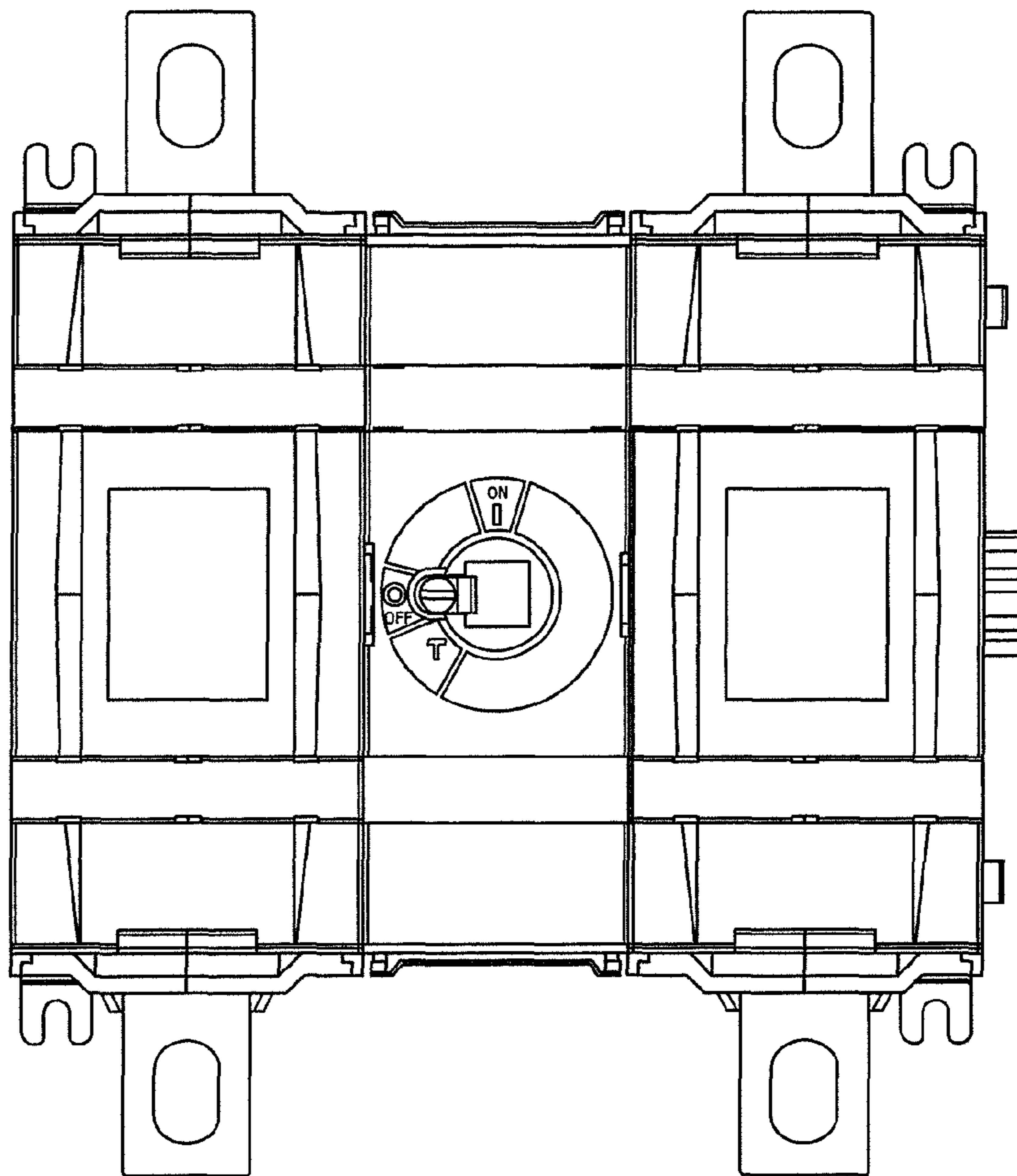


FIG. 2

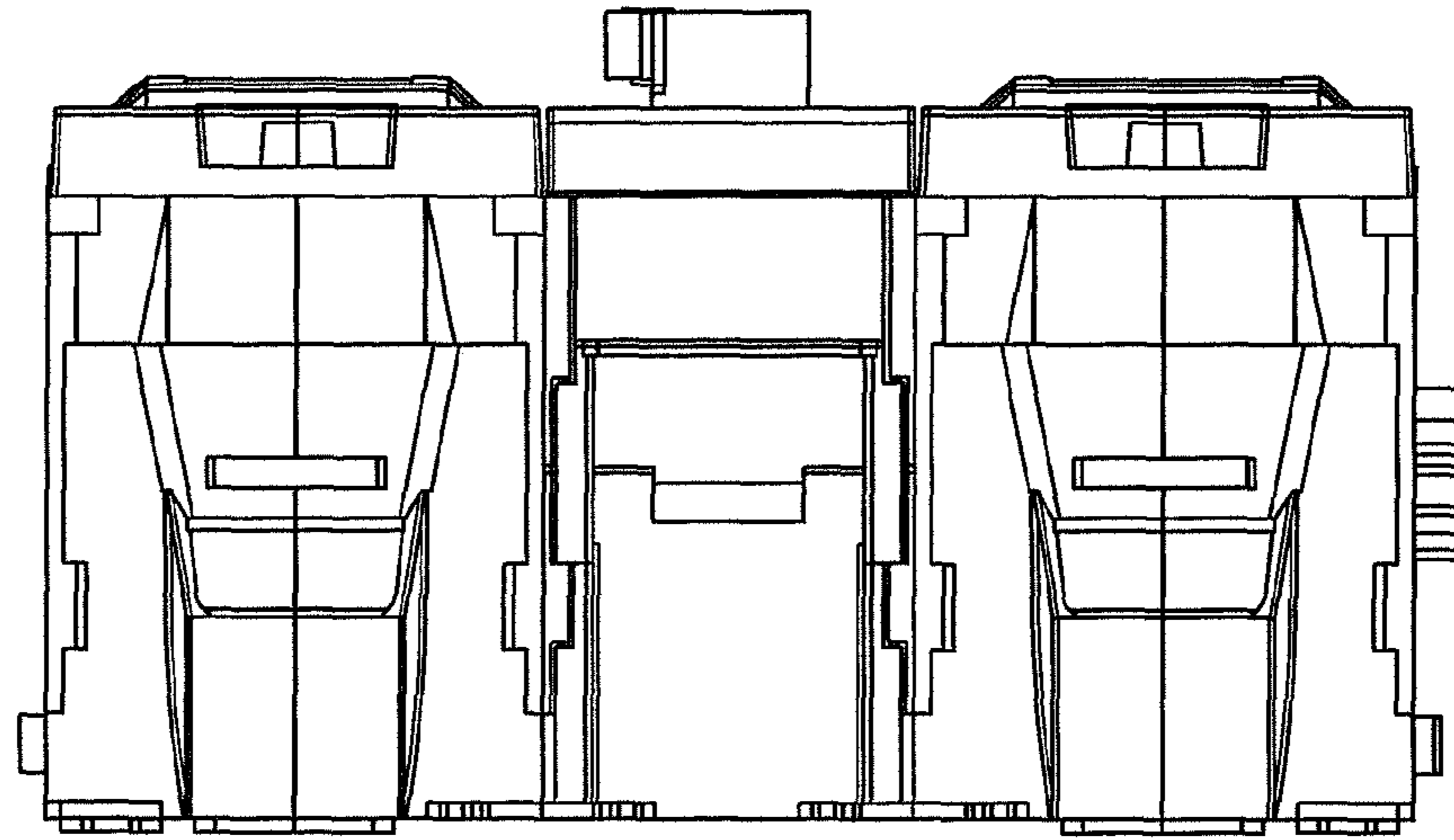


FIG. 3

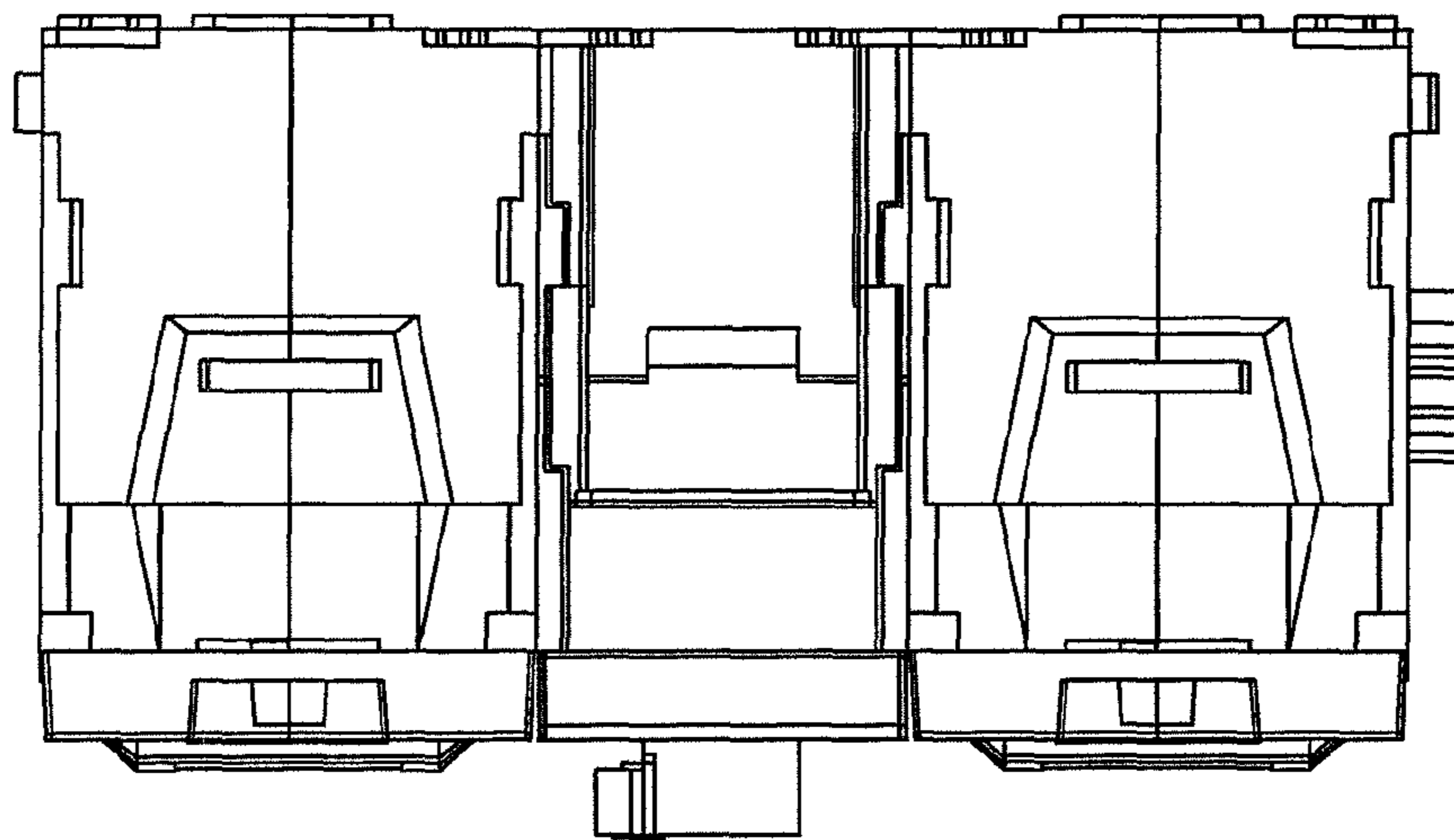


FIG. 4

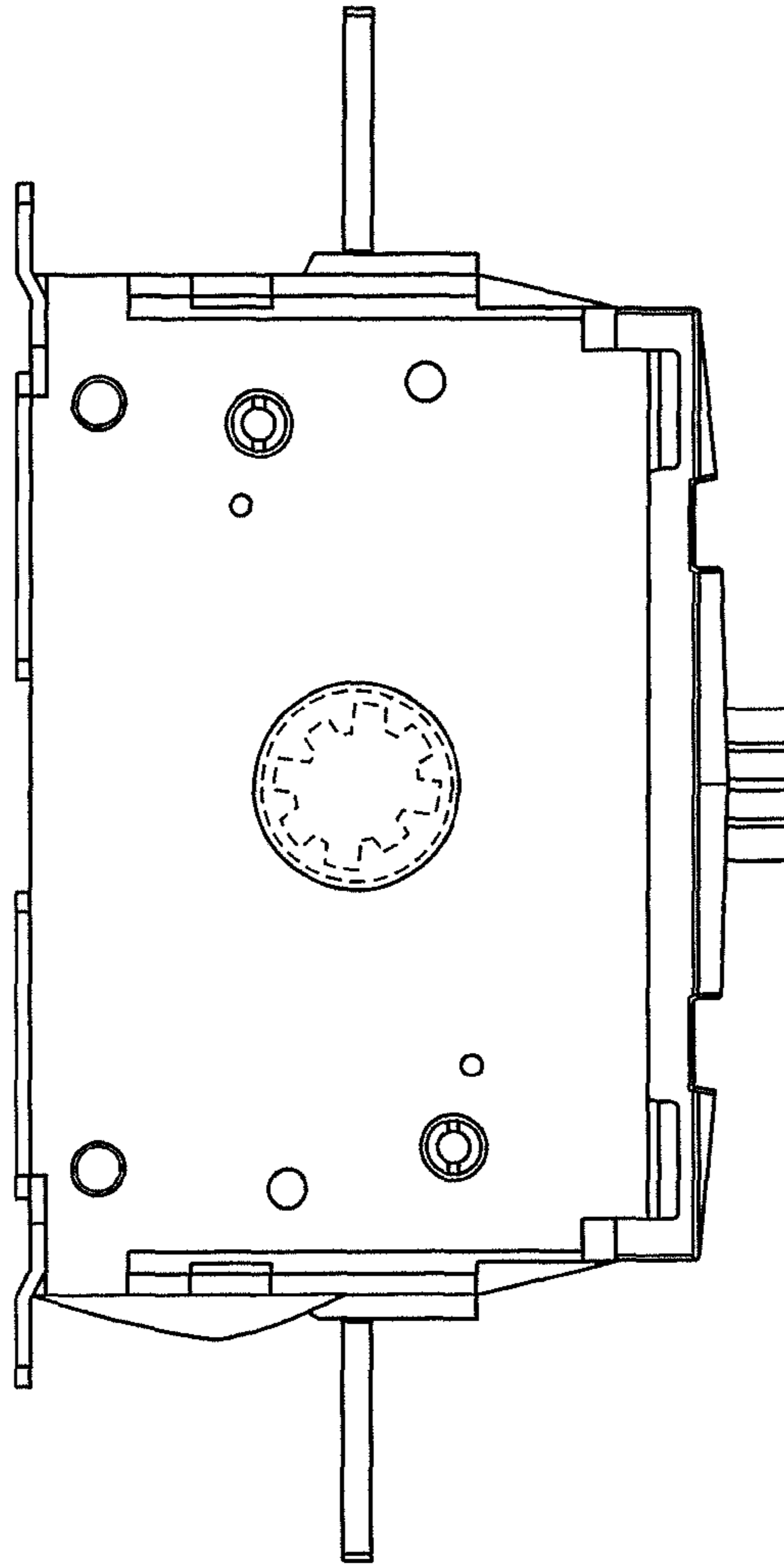


FIG. 5

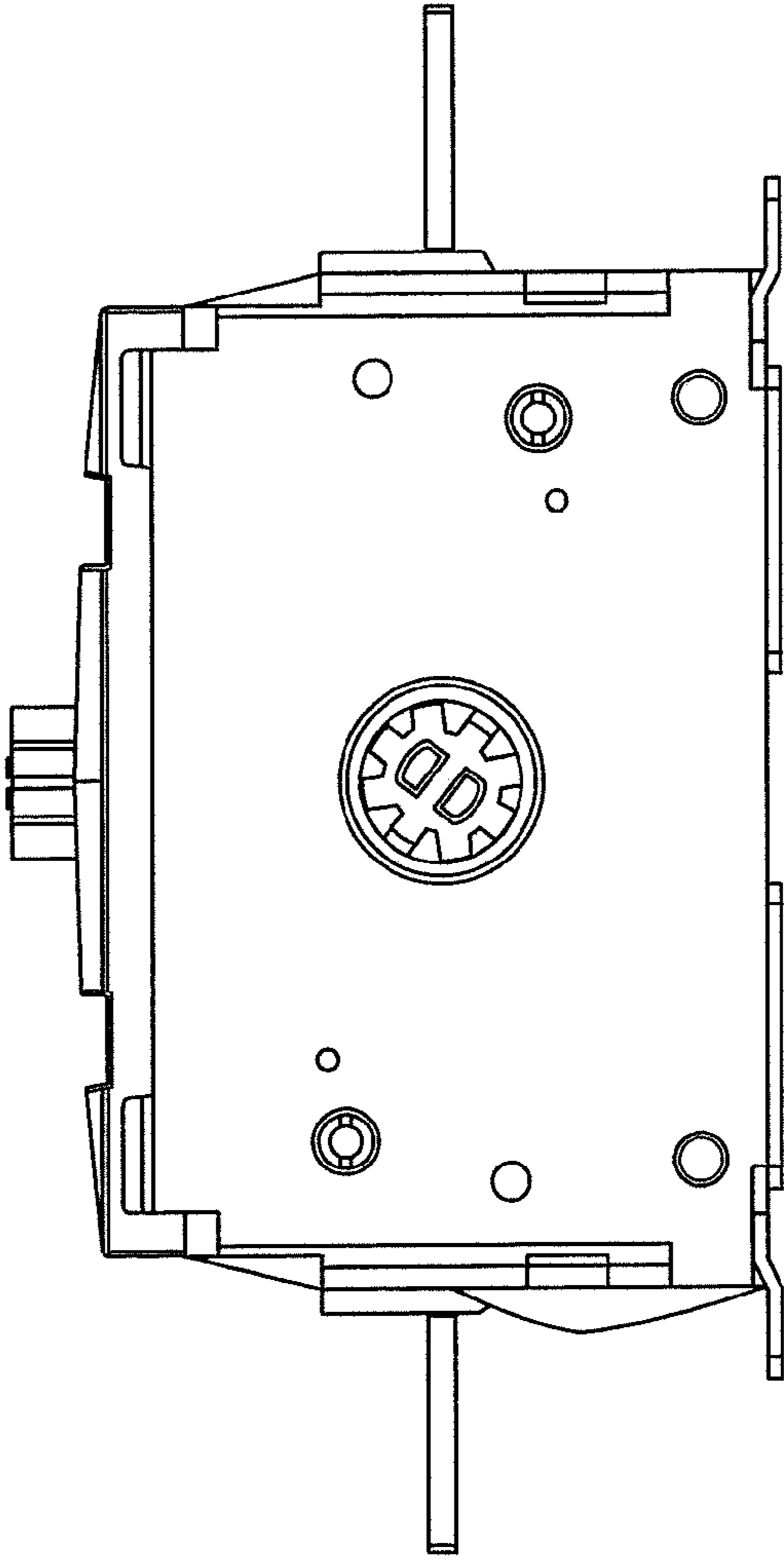


FIG. 6