

US00D725047S

(12) **United States Design Patent**
Wai

(10) **Patent No.:** **US D725,047 S**
(45) **Date of Patent:** **** Mar. 24, 2015**

- (54) **INFRARED LIGHT SWITCH**
- (71) Applicant: **Victor K. Wai**, Siu Lam (HK)
- (72) Inventor: **Victor K. Wai**, Siu Lam (HK)
- (**) Term: **14 Years**
- (21) Appl. No.: **29/475,061**
- (22) Filed: **Nov. 27, 2013**
- (51) **LOC (10) Cl.** **13-03**
- (52) **U.S. Cl.**
USPC **D13/158**
- (58) **Field of Classification Search**
USPC D13/101, 110, 123, 133, 158-161, 182,
D13/184, 199; D15/145, 199; D9/516;
D7/537; 307/112, 139, 150; 361/42;
D26/2; D10/106.8; 310/10
See application file for complete search history.

- D517,480 S * 3/2006 Luo D13/134
- D648,476 S * 11/2011 Choi et al. D26/118
- D648,477 S * 11/2011 Kim et al. D26/118
- D650,115 S * 12/2011 Kim et al. D26/118
- D664,878 S * 8/2012 Schenck et al. D10/106.8
- D691,745 S * 10/2013 Wang et al. D26/2
- D711,560 S * 8/2014 Holland et al. D26/2

* cited by examiner

Primary Examiner — Thomas Johannes
Assistant Examiner — Shawn T Gingrich
(74) *Attorney, Agent, or Firm* — Michael R. Schacht;
Schacht Law Office, Inc.

(57) **CLAIM**
The ornamental design for an infrared light switch, as shown and described.

DESCRIPTION

FIG. 1 is a front view of an infrared light switch showing my new design;
FIG. 2 is a right view thereof;
FIG. 3 is a back view thereof;
FIG. 4 is a left view thereof;
FIG. 5 is a top view thereof; and,
FIG. 6 is a bottom view thereof.
The Dot-Dot-Dash broken line portion of FIG. 5 is included to show unclaimed subject matter only and forms no part of the claimed design.

- (56) **References Cited**
U.S. PATENT DOCUMENTS
4,660,906 A * 4/1987 Haraden 439/11
D296,549 S * 7/1988 Fenne D13/134
4,988,921 A * 1/1991 Ratner et al. 315/159
D320,595 S * 10/1991 Fenne D13/158
D364,142 S * 11/1995 Metcalfe et al. D13/134
D367,847 S * 3/1996 Tarulli et al. D13/158

1 Claim, 2 Drawing Sheets

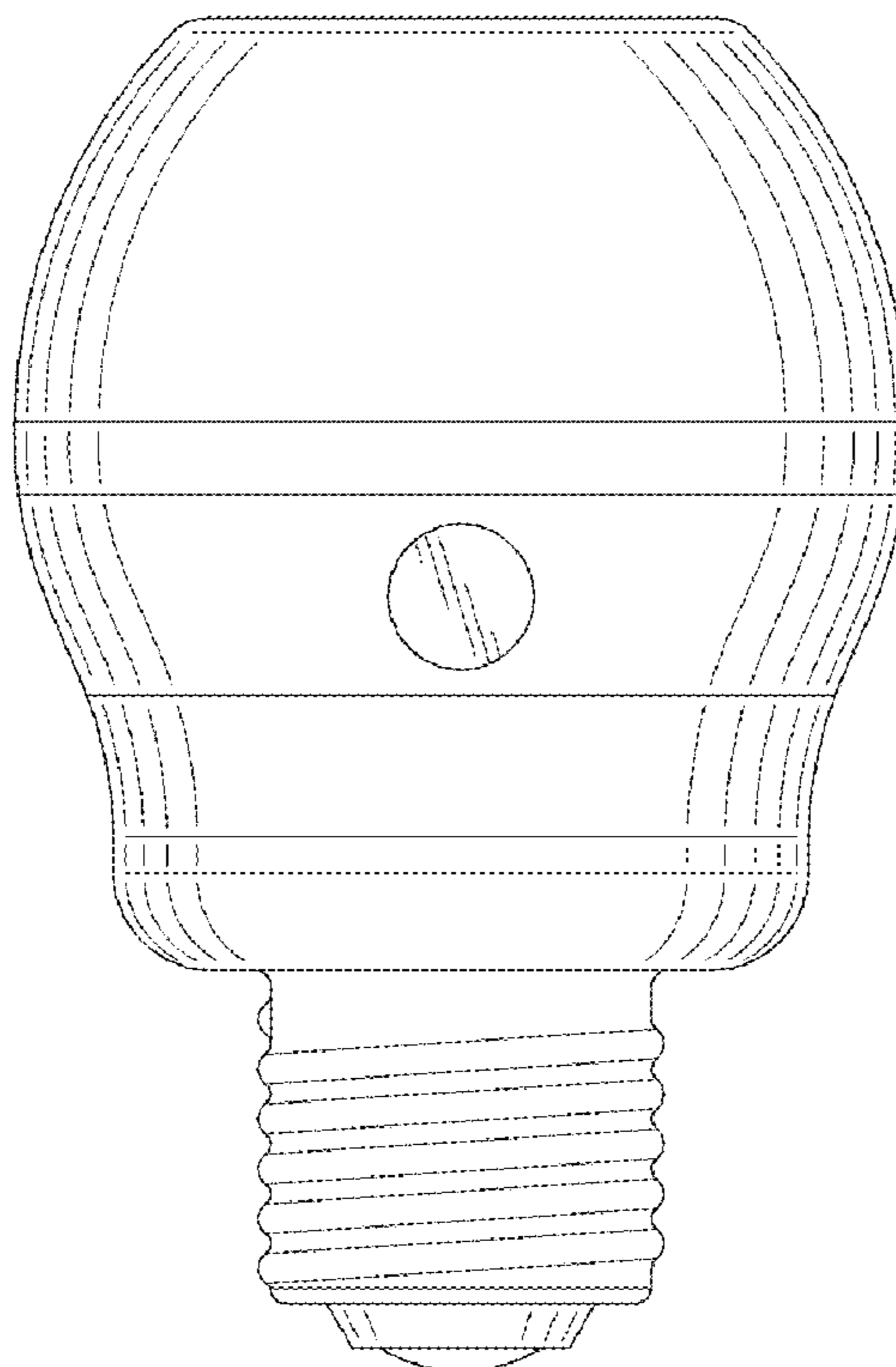


FIG. 1

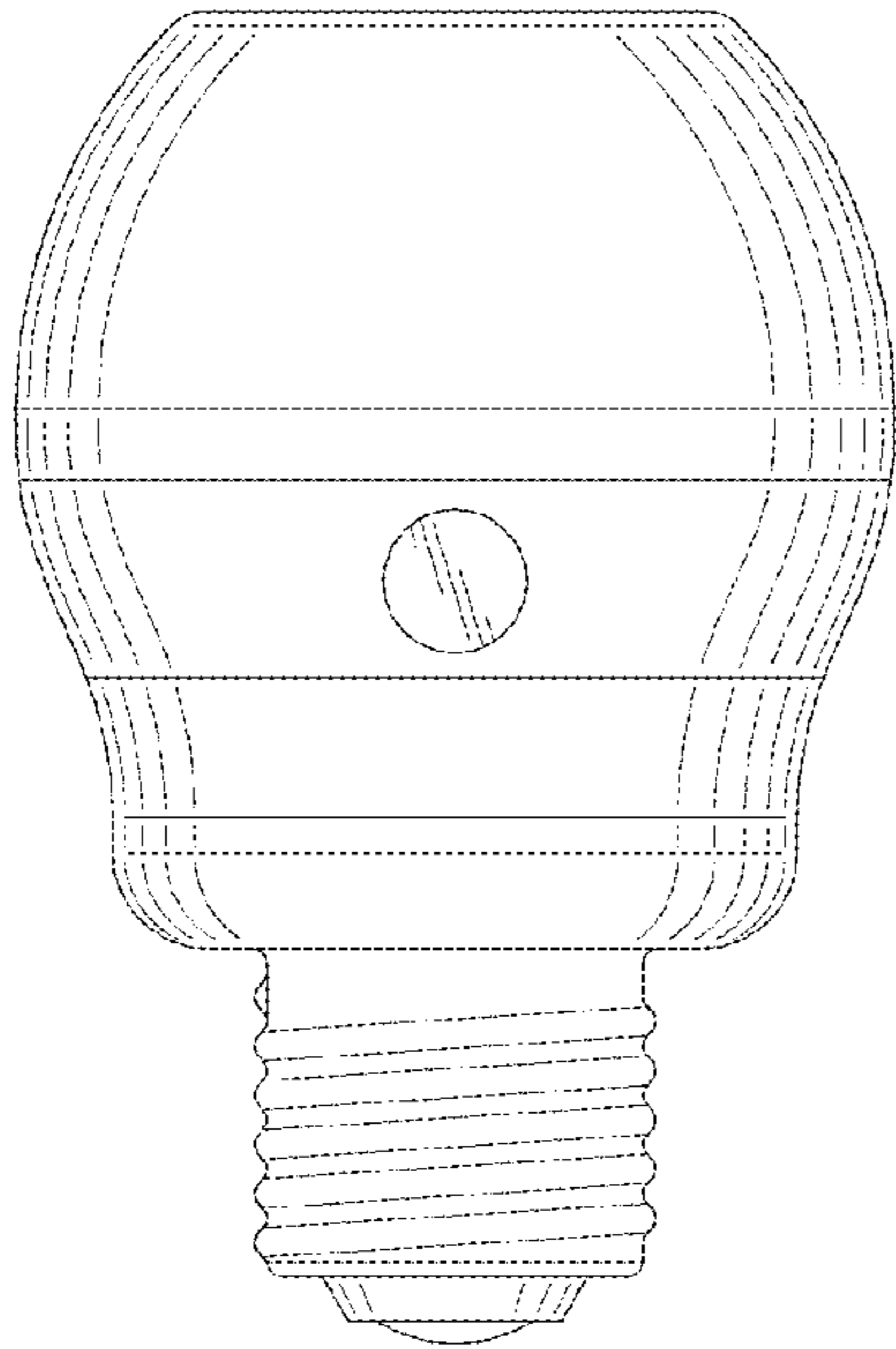


FIG. 2

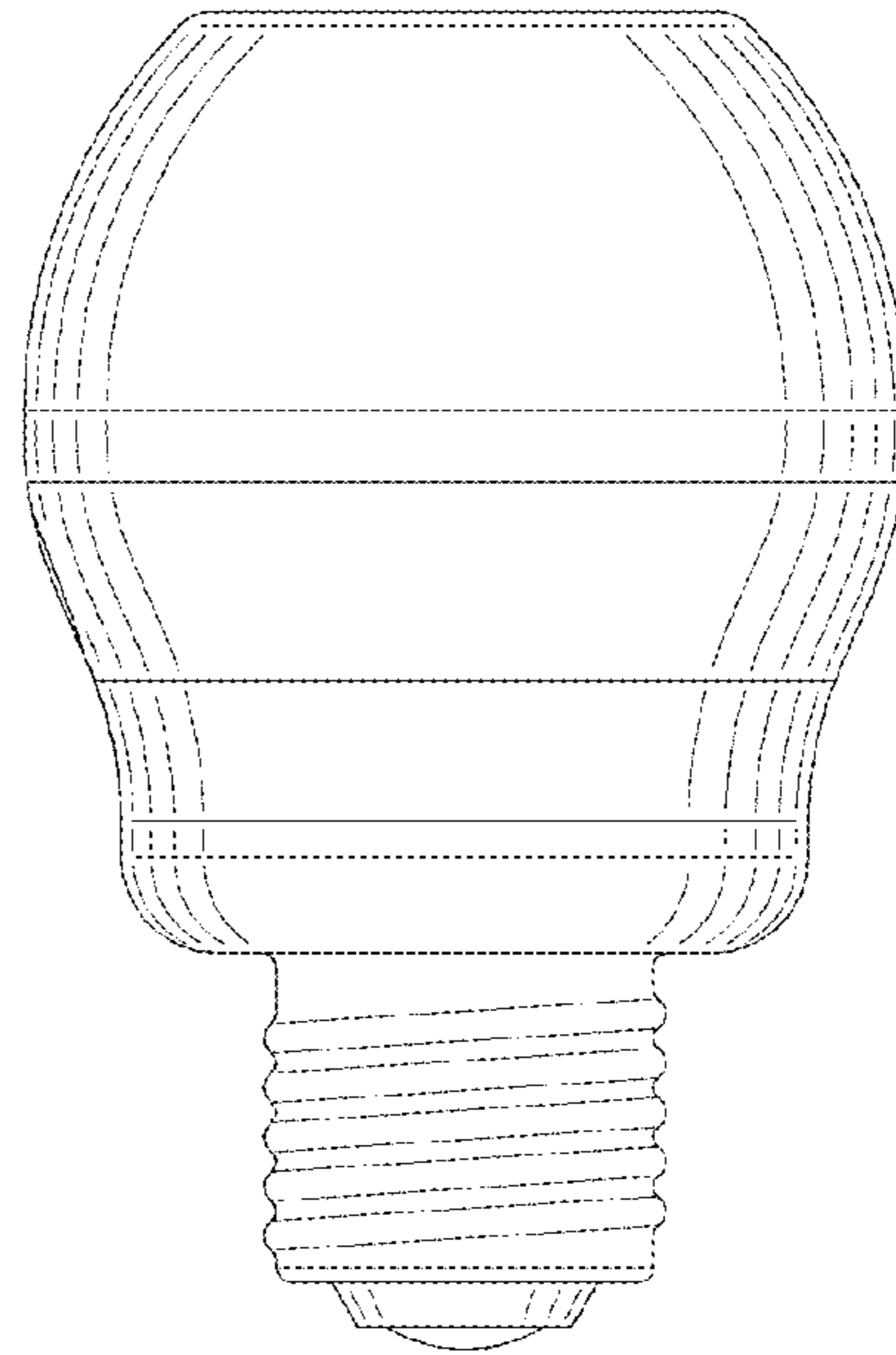


FIG. 3

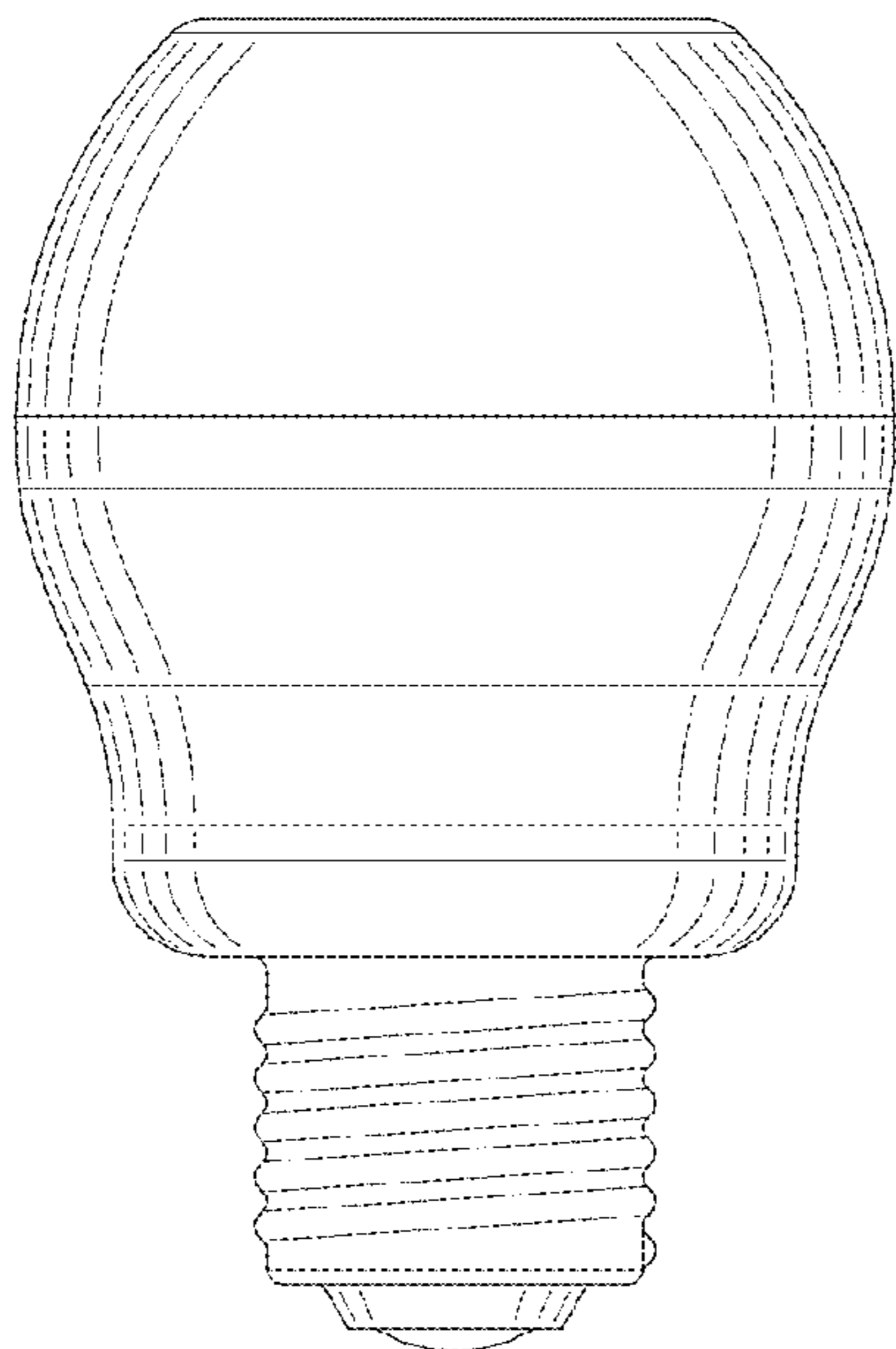


FIG. 4

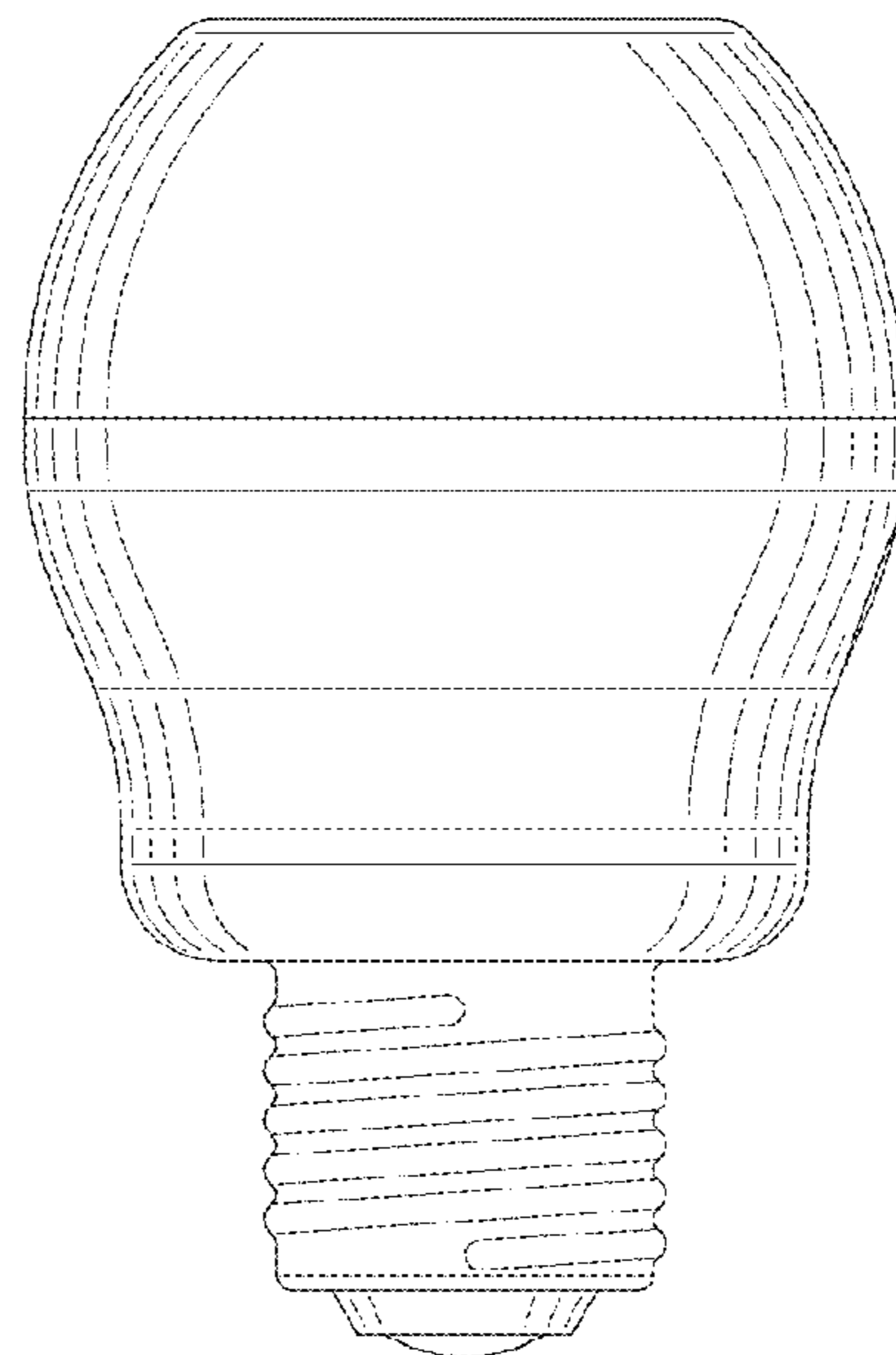


FIG. 5

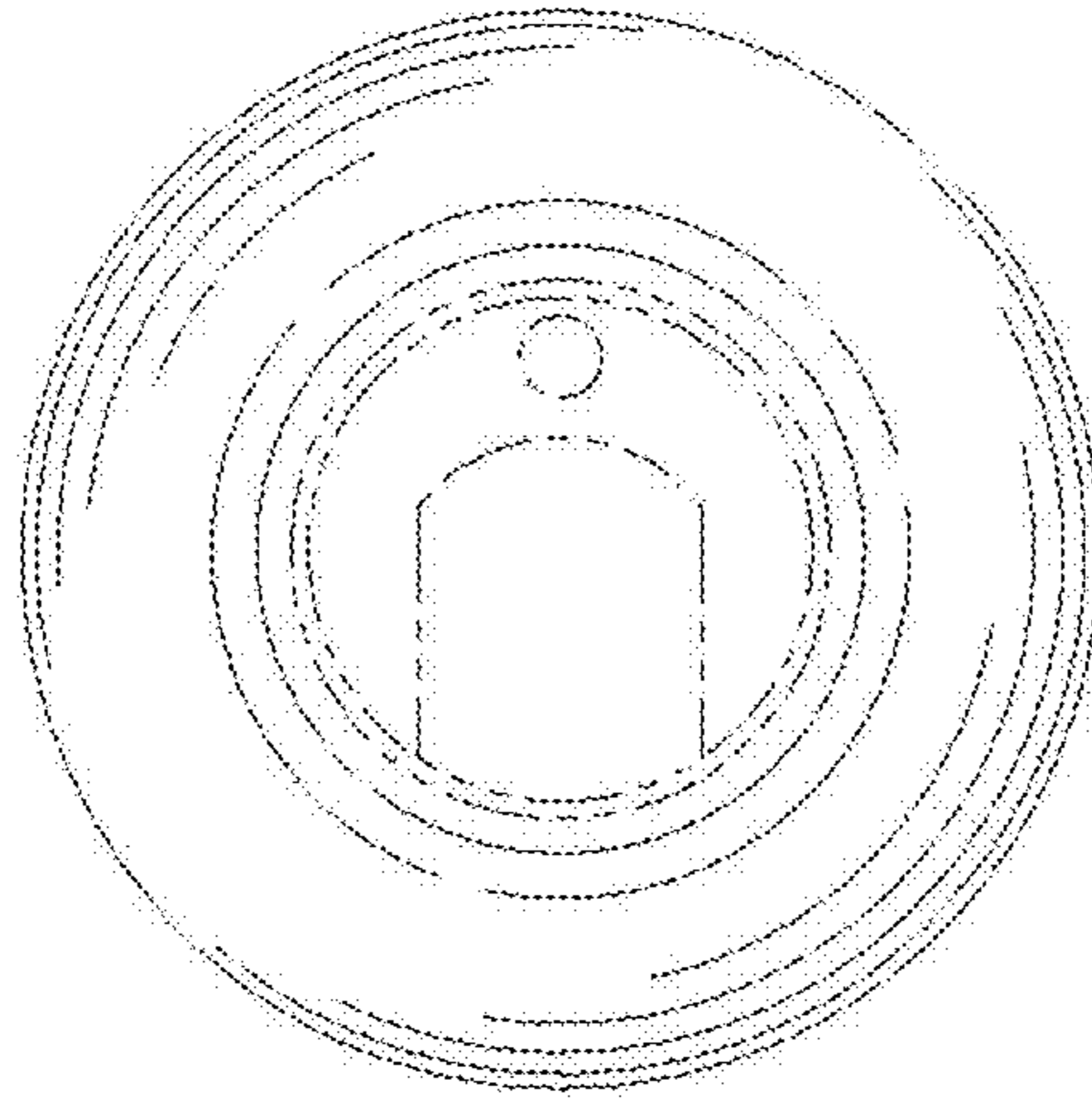


FIG. 6

