



US00D725045S

(12) **United States Design Patent**
Nonen

(10) **Patent No.:** **US D725,045 S**
(45) **Date of Patent:** **** Mar. 24, 2015**

(54) **ELECTRICAL TERMINAL**

(71) Applicant: **Hitachi Cable, Ltd.**, Tokyo (JP)

(72) Inventor: **Hideki Nonen**, Hitachi (JP)

(73) Assignee: **Hitachi Metals, Ltd.**, Tokyo (JP)

(**) Term: **14 Years**

(21) Appl. No.: **29/443,374**

(22) Filed: **Jan. 16, 2013**

(30) **Foreign Application Priority Data**

Jul. 17, 2012 (JP) 2012-016944

(51) **LOC (10) Cl.** **13-03**

(52) **U.S. Cl.**
USPC **D13/154**

(58) **Field of Classification Search**
USPC D13/133, 154, 184, 199
See application file for complete search history.

(56) **References Cited**

U.S. PATENT DOCUMENTS

996,701 A *	7/1911	Carroll	178/45
D665,745 S *	8/2012	Yamauchi et al.	D13/133
D711,326 S *	8/2014	Shibutani	D13/154
2013/0072041 A1 *	3/2013	Nonen et al.	439/98

* cited by examiner

Primary Examiner — Daniel Bui

Assistant Examiner — Sanjeev Paul

(74) *Attorney, Agent, or Firm* — McGinn IP Law Group, PLLC

(57) **CLAIM**

The ornamental design for an electrical terminal, substantially as shown and described.

DESCRIPTION

FIG. 1 is a perspective view of the electrical terminal showing a modification of our new design;
FIG. 2 is a front view thereof;
FIG. 3 is a right side view thereof;
FIG. 4 is a left side view thereof;
FIG. 5 is a plan view thereof;
FIG. 6 is a bottom view thereof; and,
FIG. 7 is a back view thereof.

This article is an electrical terminal for grounding connection, which is configured to be attached to a terminal of a shield cable having no drain wire.

1 Claim, 4 Drawing Sheets

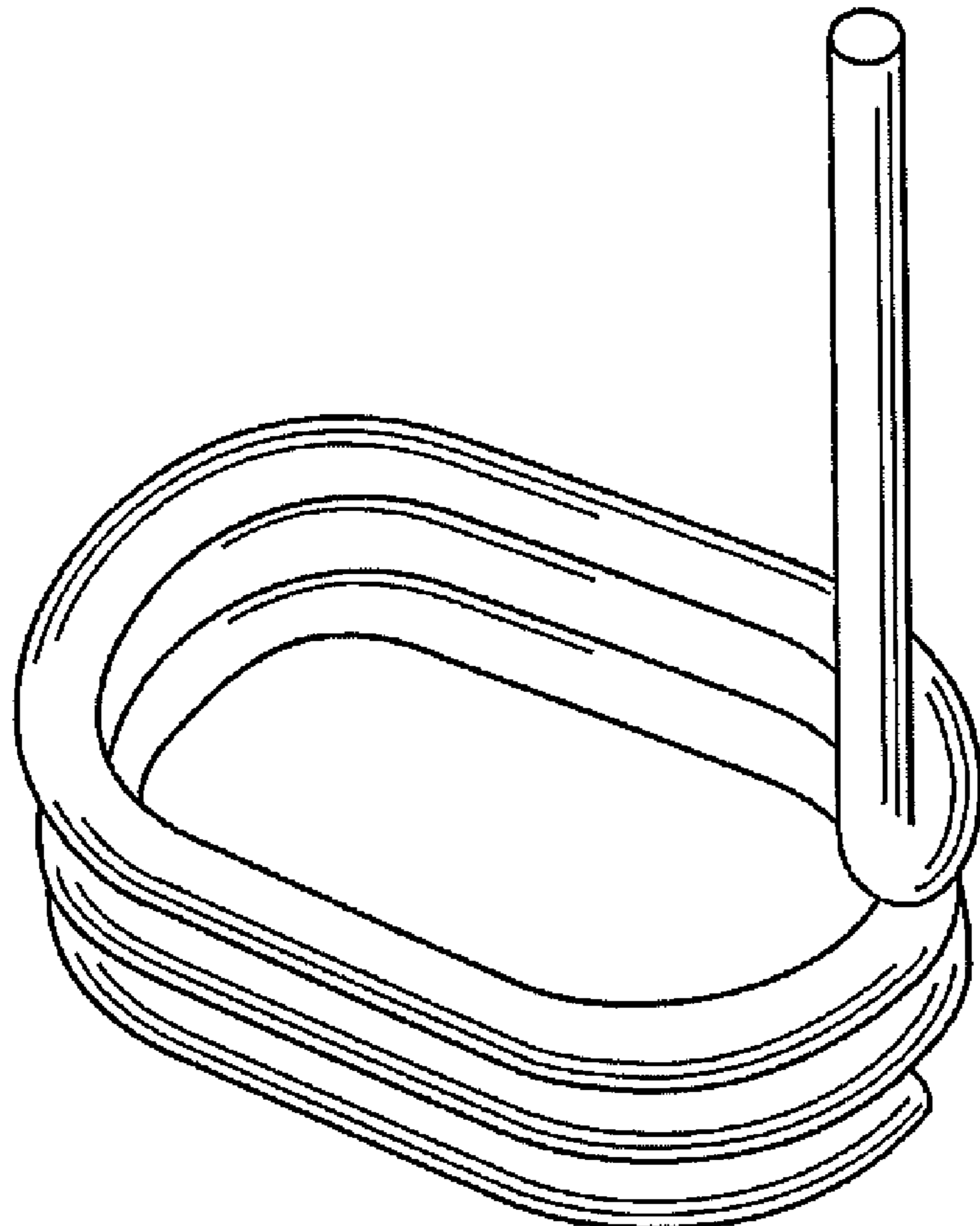


FIG. 1

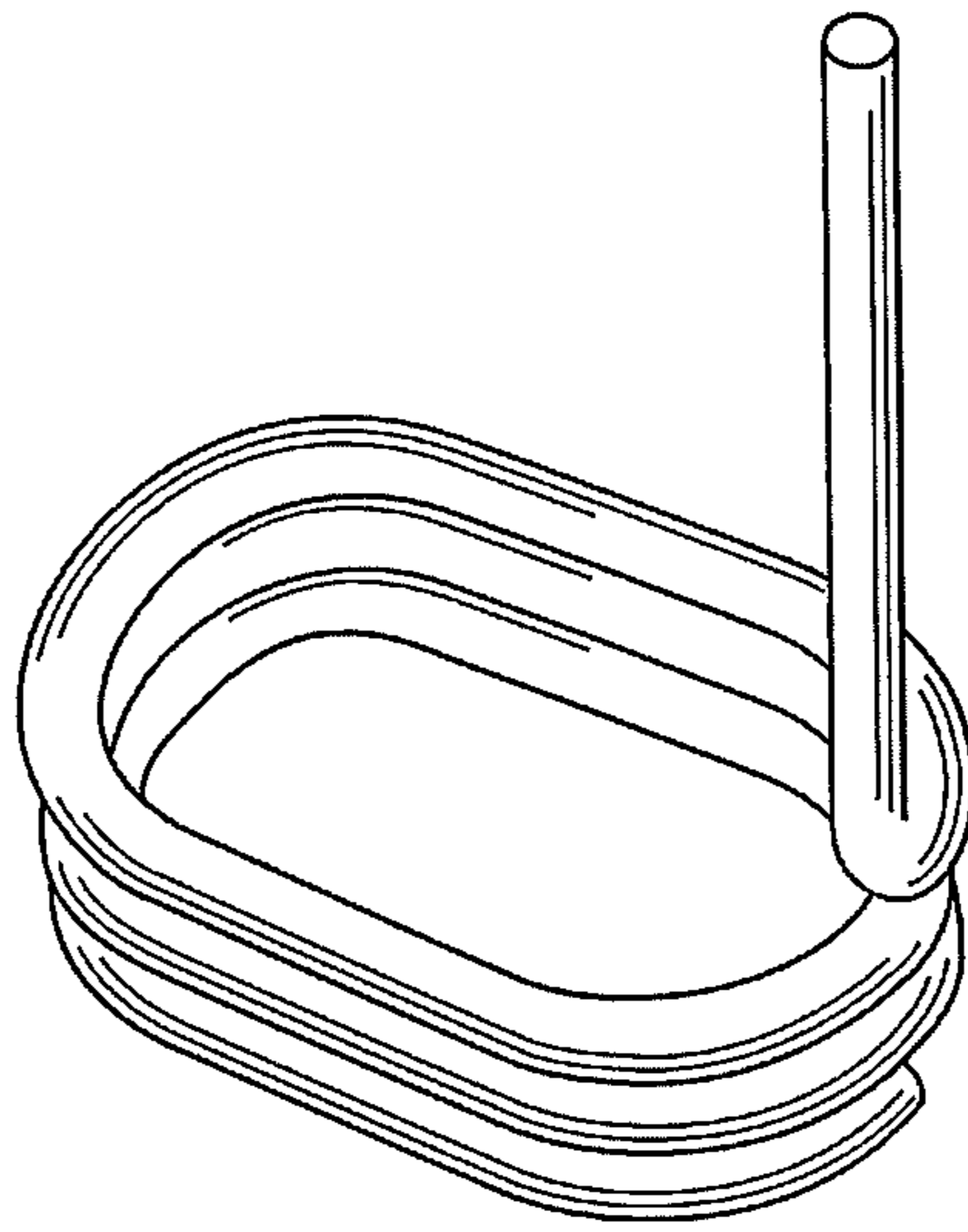


FIG.2

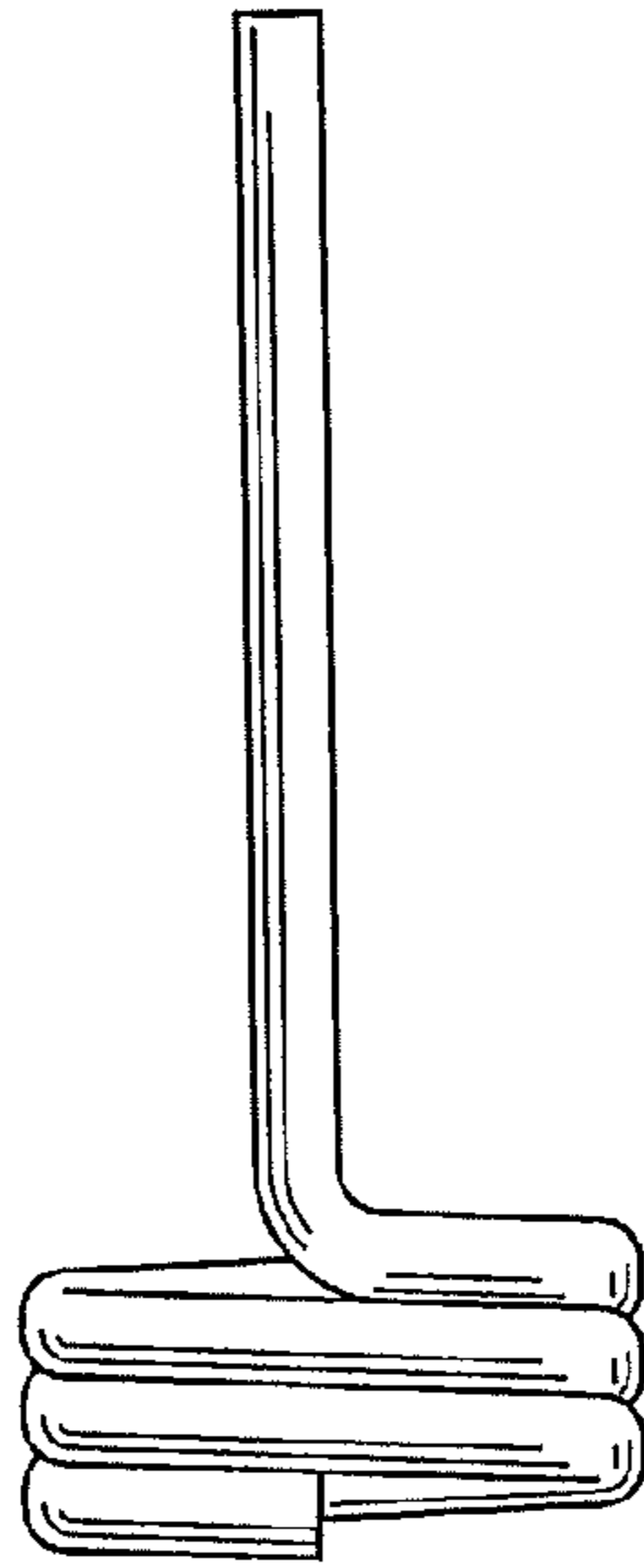


FIG.3

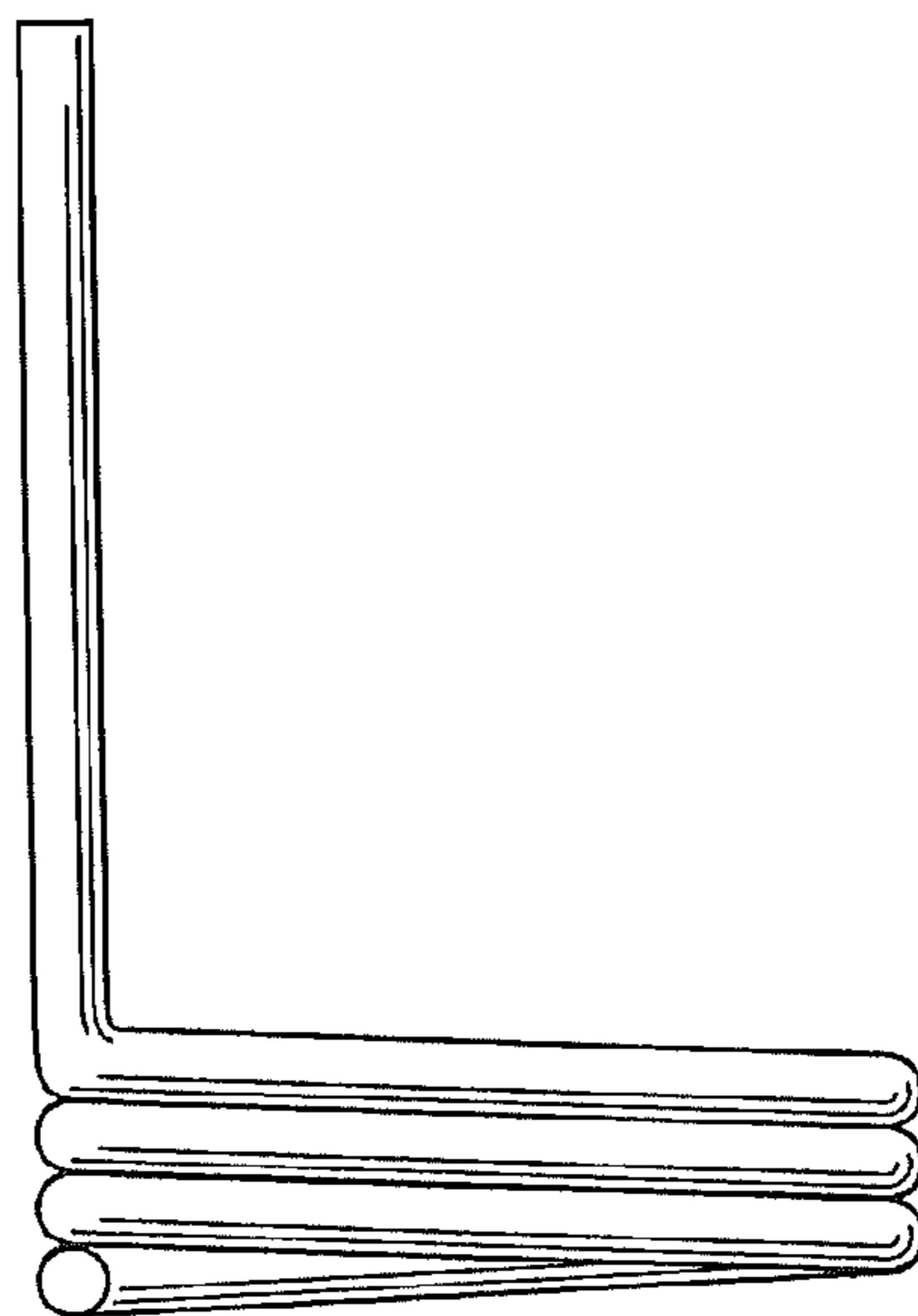


FIG.4

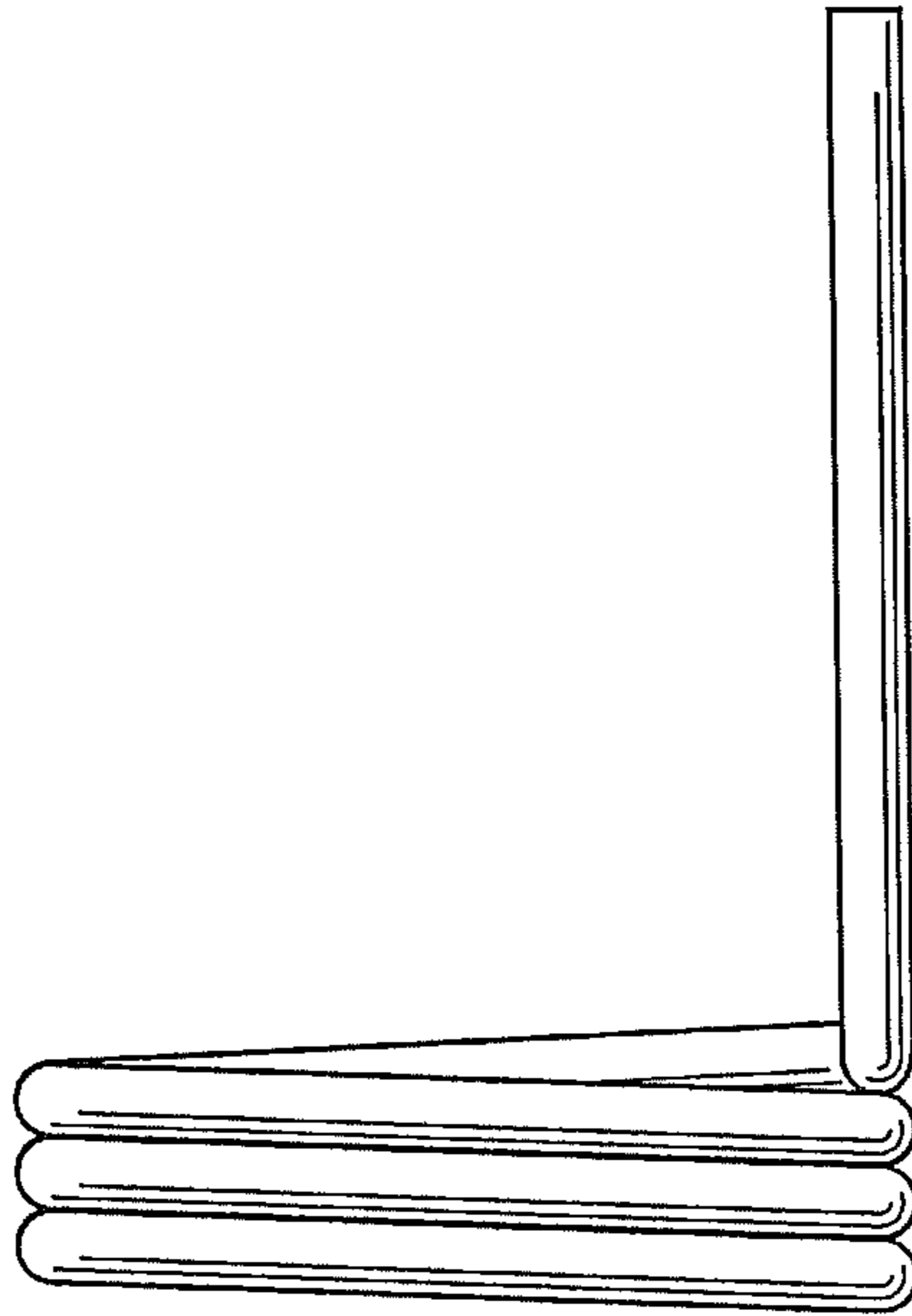


FIG.5

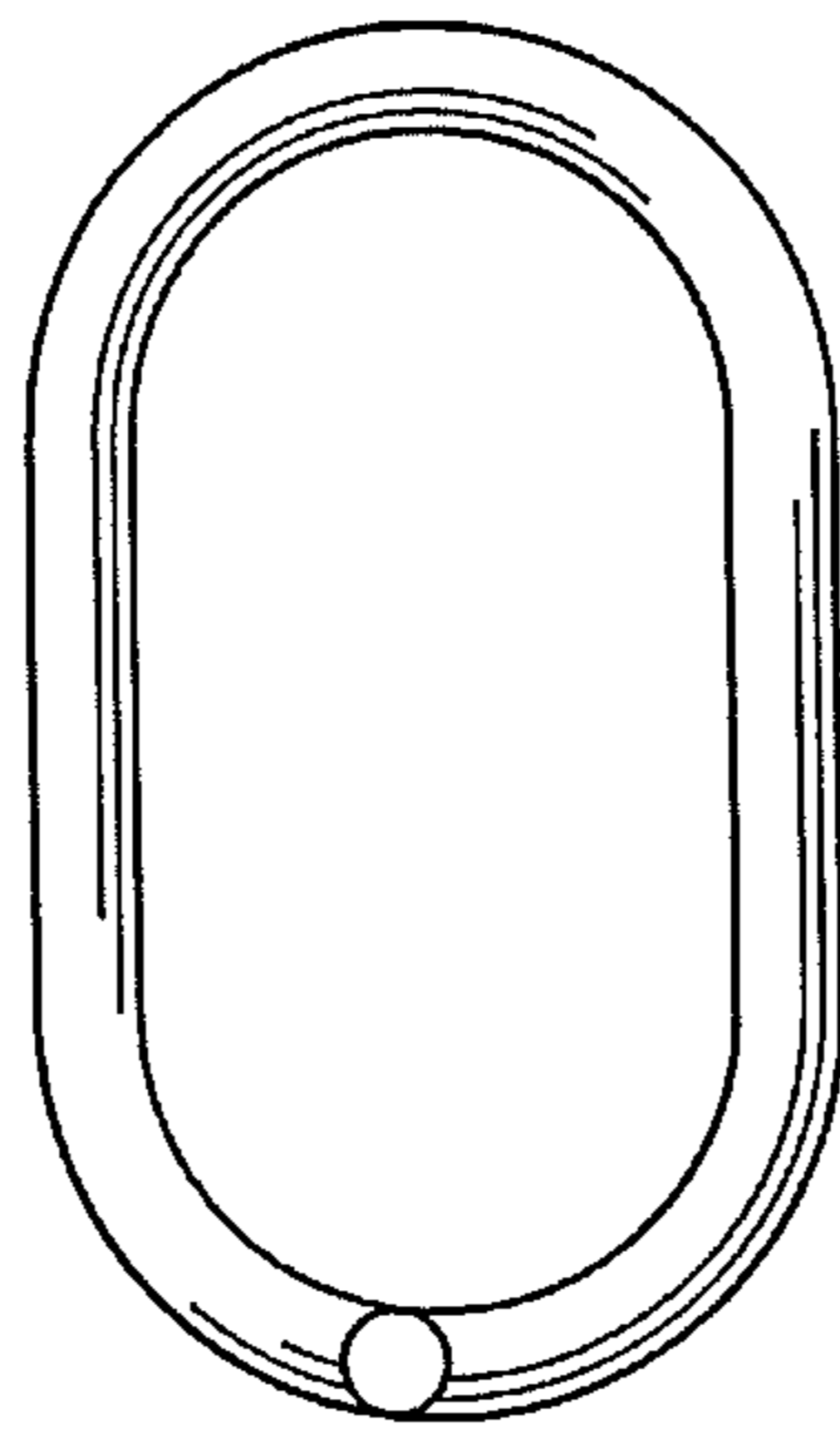


FIG.6

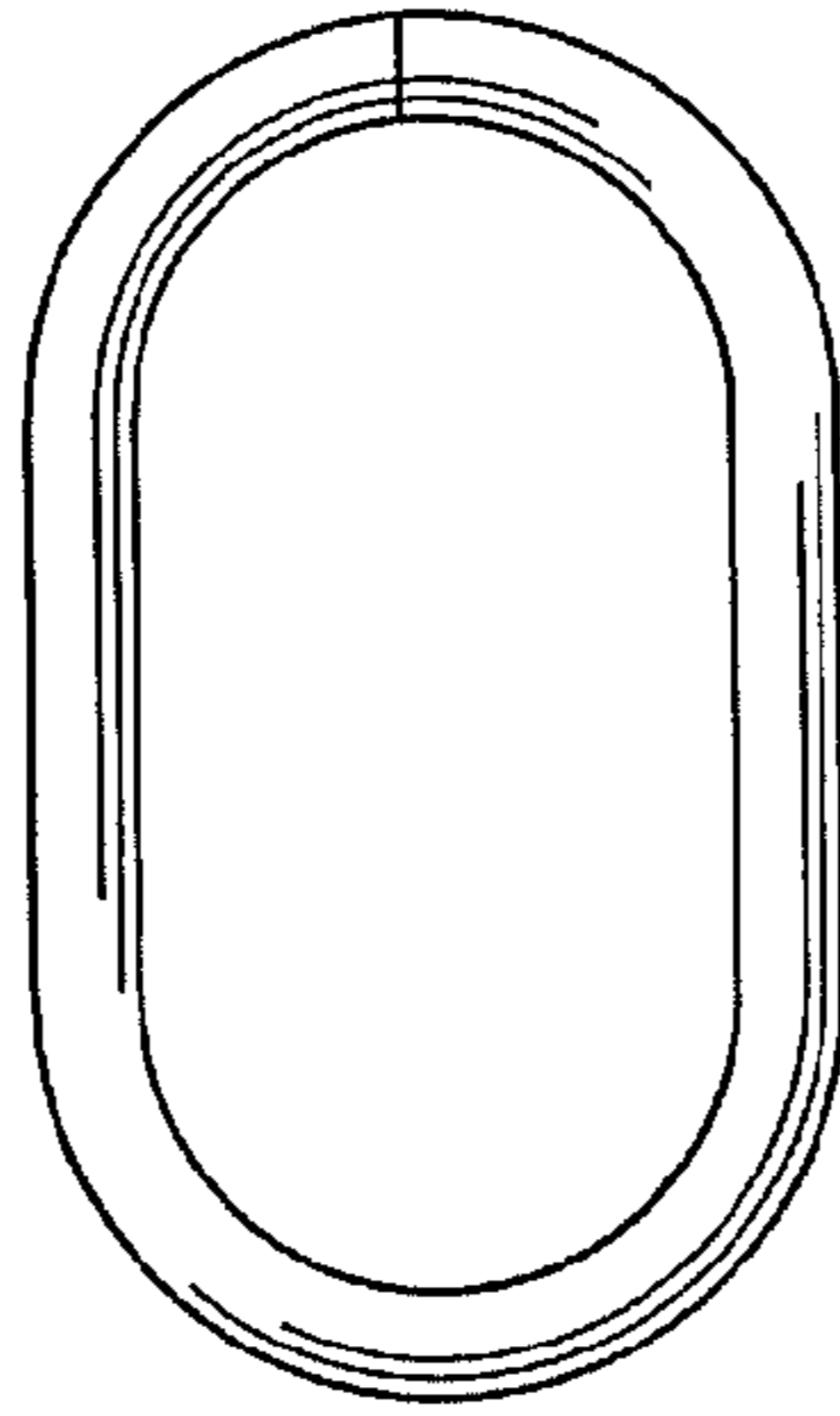


FIG.7

