



US00D725044S

(12) **United States Design Patent**  
**Masumoto et al.**

(10) **Patent No.:** **US D725,044 S**  
(45) **Date of Patent:** **\*\* Mar. 24, 2015**

(54) **ELECTRICAL CONNECTOR**

(71) Applicant: **Japan Aviation Electronics Industry, Limited**, Tokyo (JP)

(72) Inventors: **Toshio Masumoto**, Tokyo (JP); **Yuichi Saito**, Tokyo (JP); **Yoshihide Kuroki**, Tokyo (JP)

(73) Assignee: **Japan Aviation Electronics Industry, Limited**, Tokyo (JP)

(\*\*) Term: **14 Years**

(21) Appl. No.: **29/488,939**

(22) Filed: **Apr. 24, 2014**

**Related U.S. Application Data**

(62) Division of application No. 29/448,688, filed on Mar. 13, 2013.

**Foreign Application Priority Data**

Sep. 28, 2012 (JP) ..... 2012-023845  
Sep. 28, 2012 (JP) ..... 2012-023848

(51) **LOC (10) Cl.** ..... **13-03**

(52) **U.S. Cl.**  
USPC ..... **D13/147**

(58) **Field of Classification Search**  
USPC ..... D13/147, 154, 184, 199; 439/79, 108, 439/180, 246, 252, 258, 278, 374, 378, 379, 439/381, 527, 529, 533, 660, 717, 865-894, 439/953; 174/16.3; 257/697, 727; 361/769

See application file for complete search history.

(56) **References Cited**

U.S. PATENT DOCUMENTS

D636,733 S \* 4/2011 Wang et al. .... D13/147  
D640,985 S \* 7/2011 Wang et al. .... D13/154

\* cited by examiner

*Primary Examiner* — Daniel Bui

(74) *Attorney, Agent, or Firm* — Westerman, Hattori, Daniels & Adrian, LLP

(57) **CLAIM**

The ornamental design for an electrical connector, as shown and described.

**DESCRIPTION**

FIG. 1 is a front elevational view of an electrical connector, showing our new design;

FIG. 2 is a rear elevational view thereof;

FIG. 3 is a right side elevational view thereof;

FIG. 4 is a left side elevational view thereof;

FIG. 5 is a top plan view thereof;

FIG. 6 is a bottom plan view thereof;

FIG. 7 is a right front perspective view showing the top thereof;

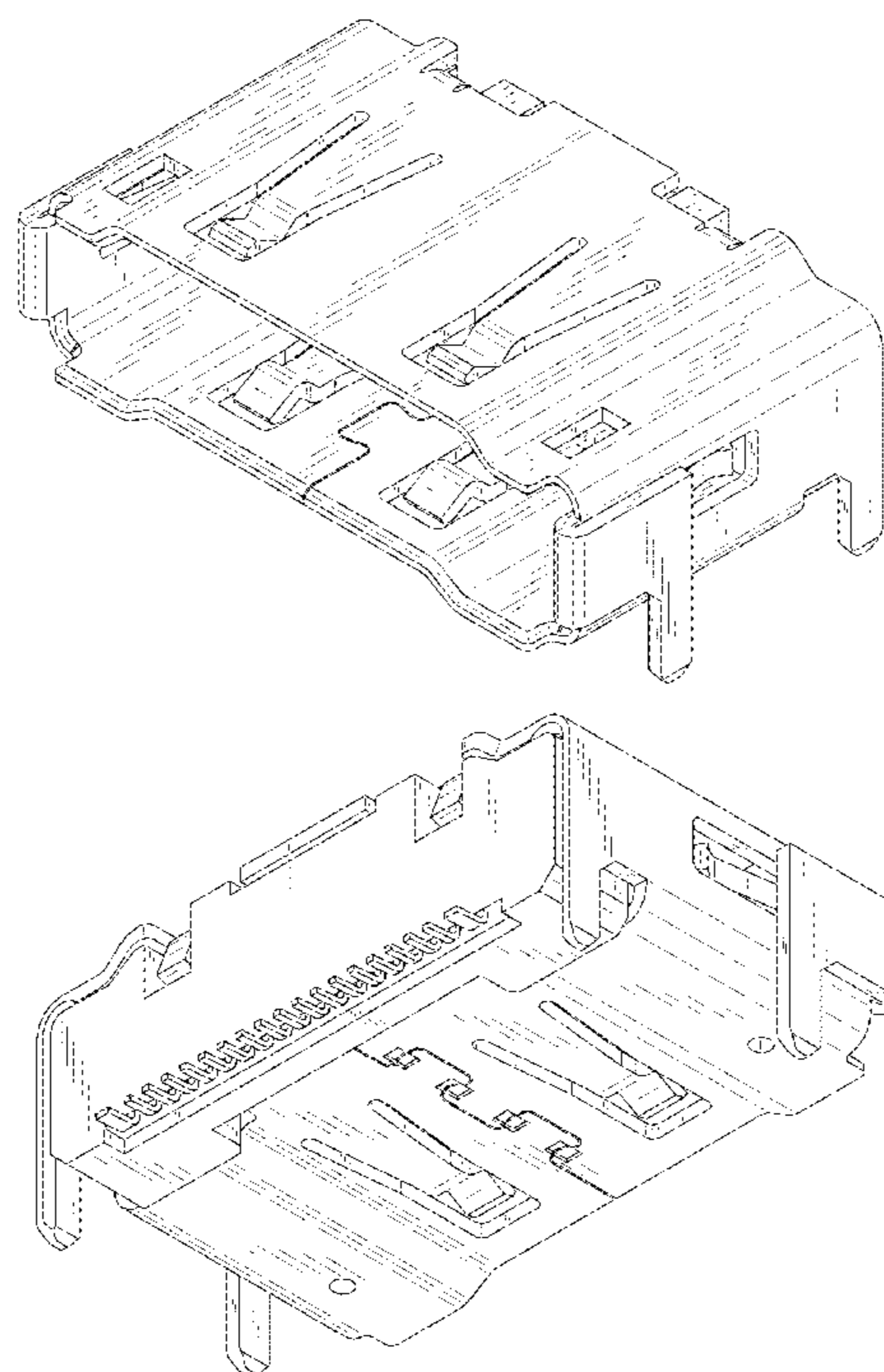
FIG. 8 is a left rear perspective view showing the bottom thereof;

FIG. 9 is a right front perspective view showing the bottom thereof; and,

FIG. 10 is a left rear perspective view showing the top thereof.

The broken lines in the drawings are included to show unclaimed environment only and form no part of the claimed design.

**1 Claim, 10 Drawing Sheets**



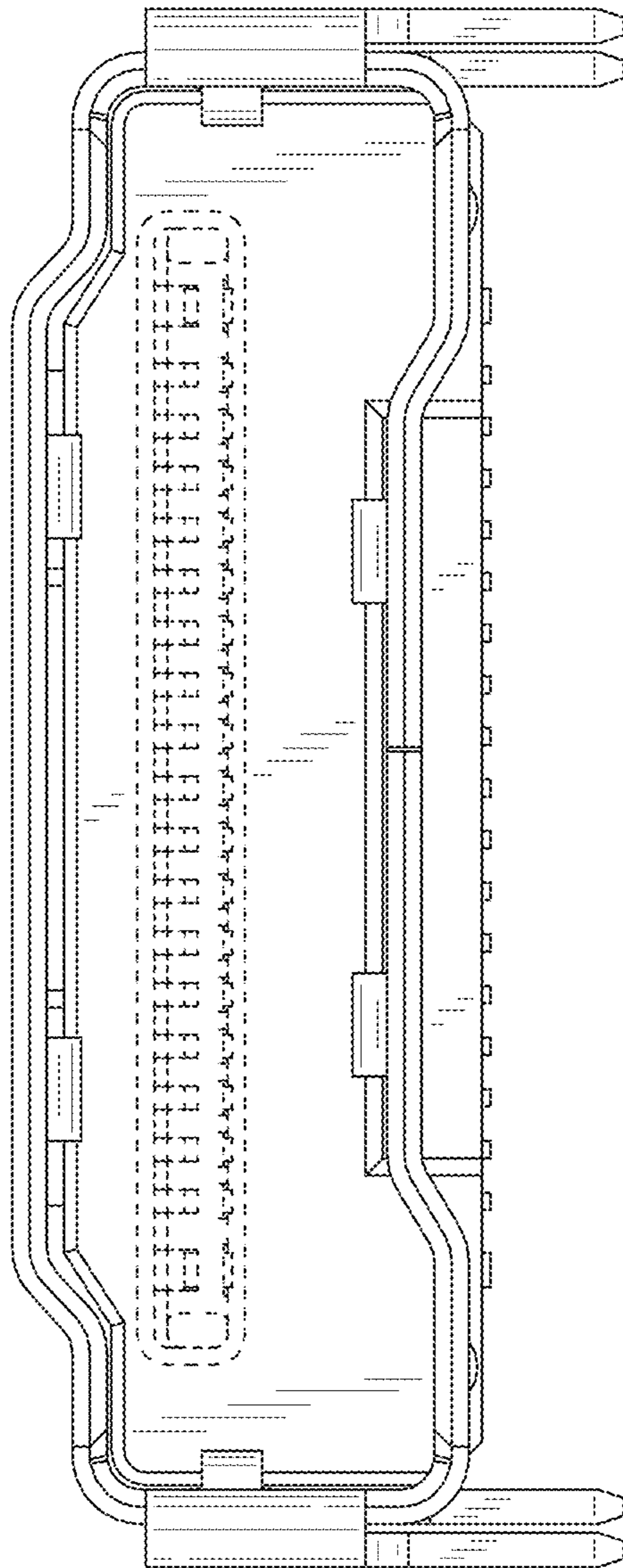


FIG.1

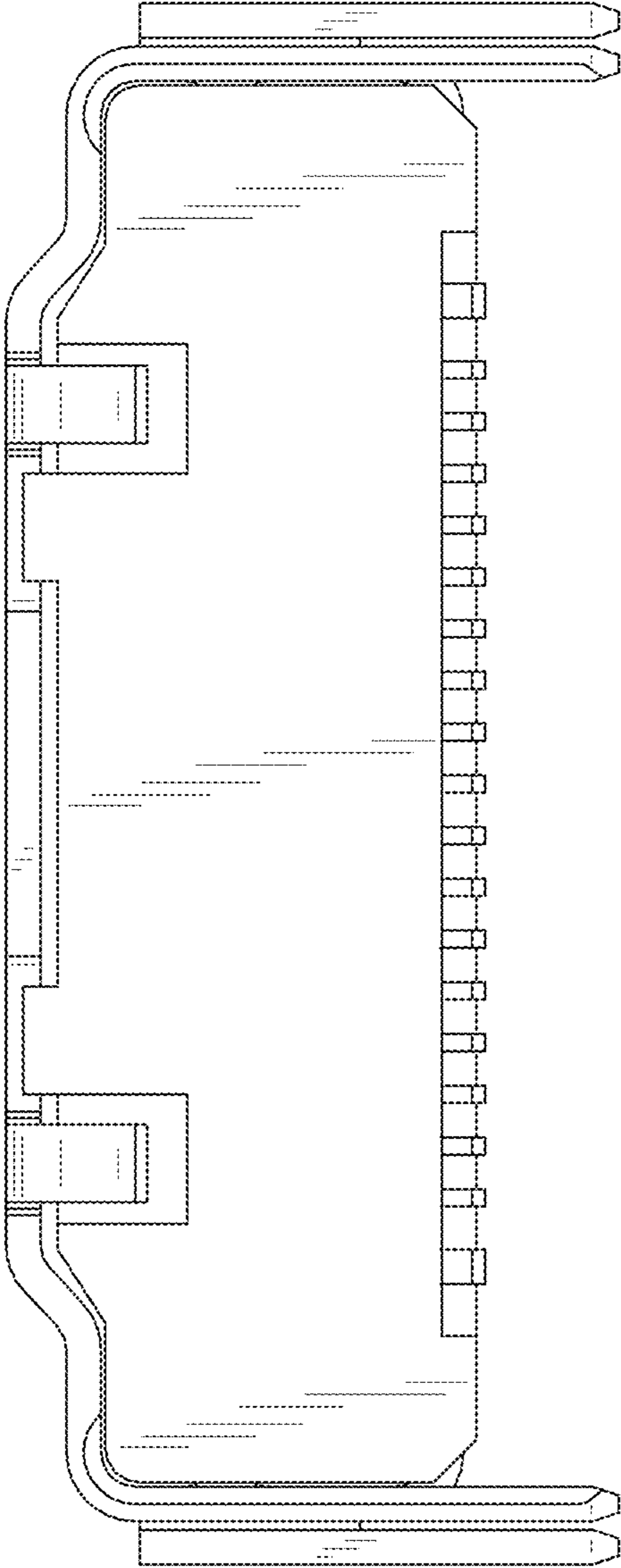


FIG.2

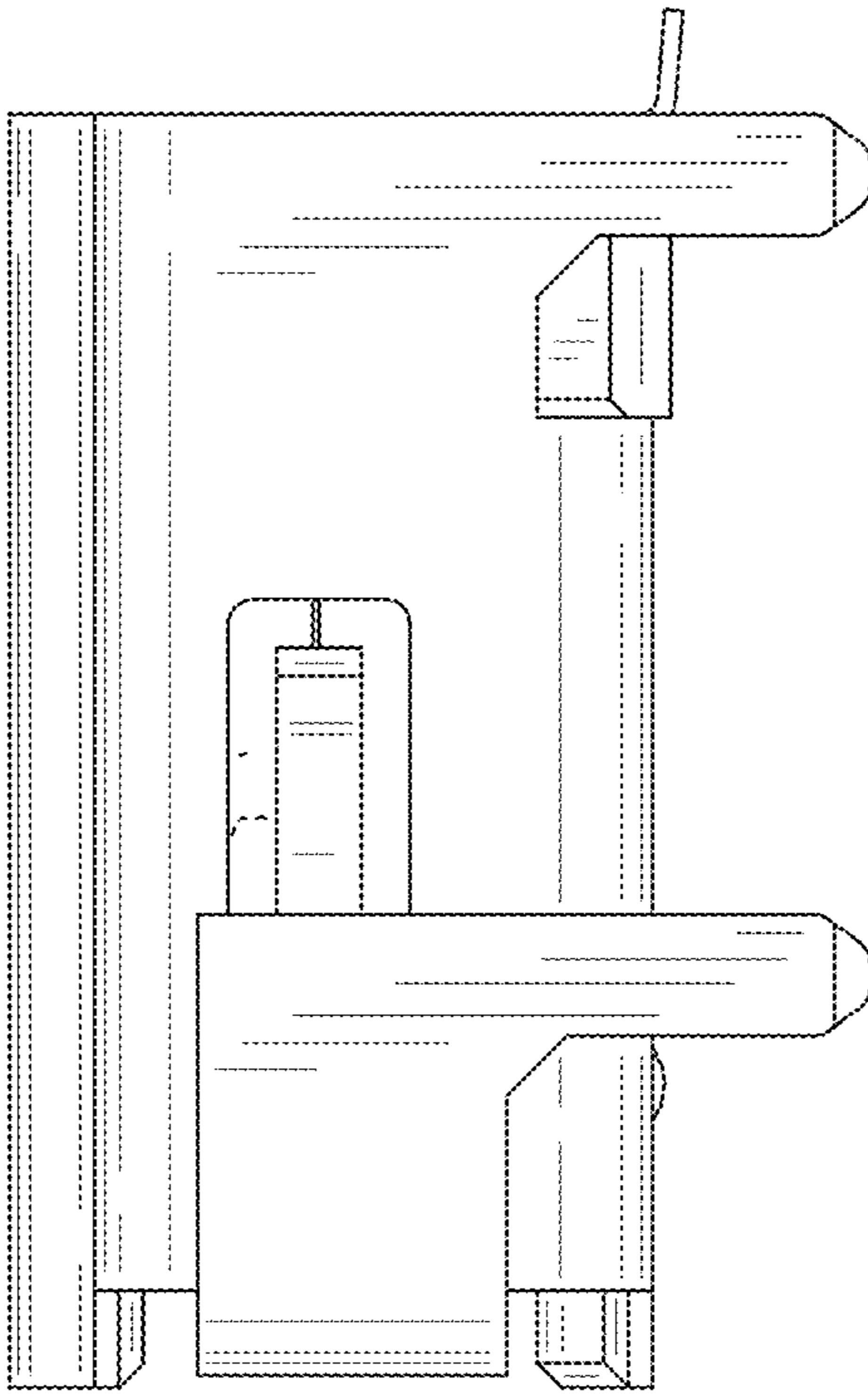


FIG.3

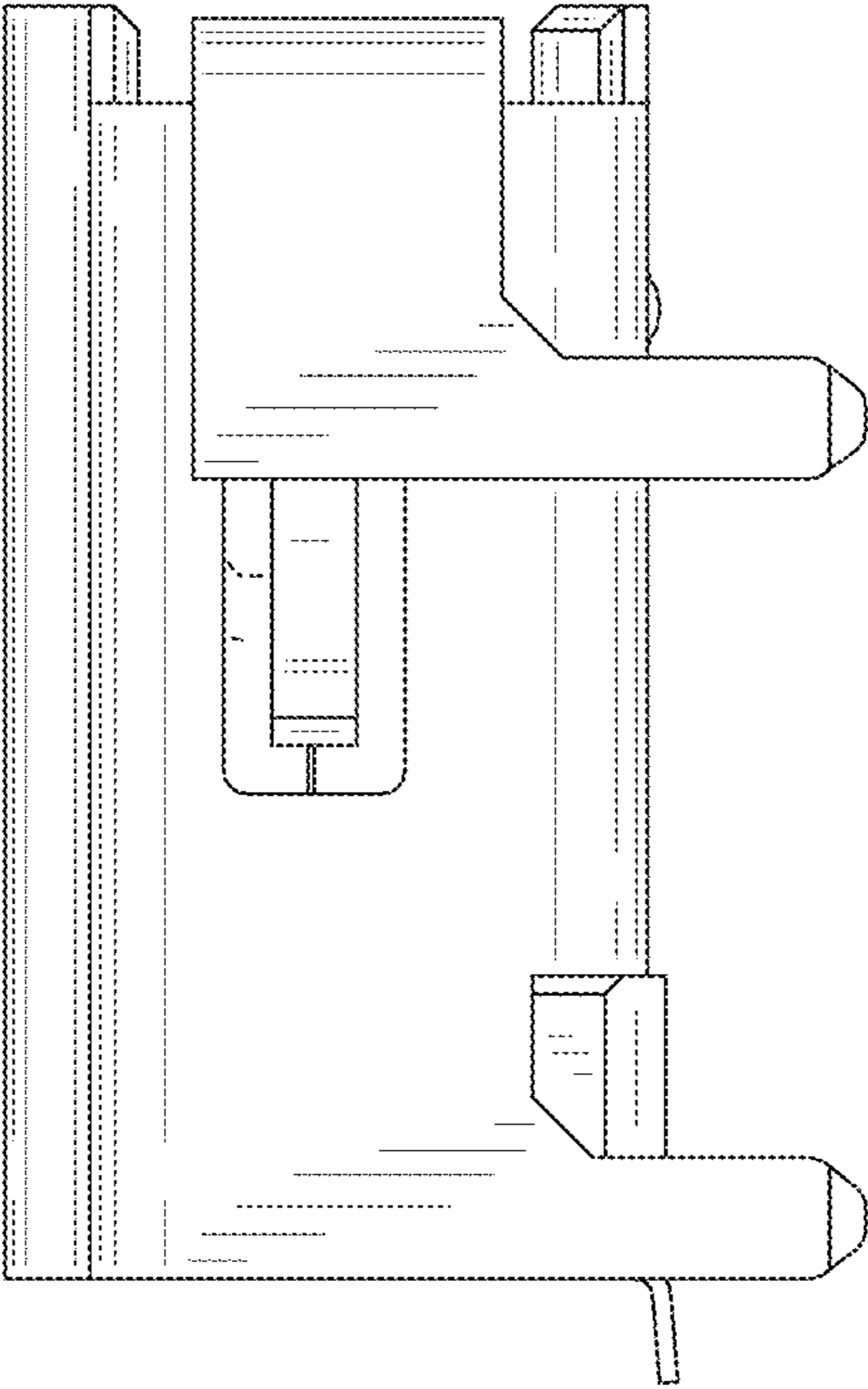


FIG.4

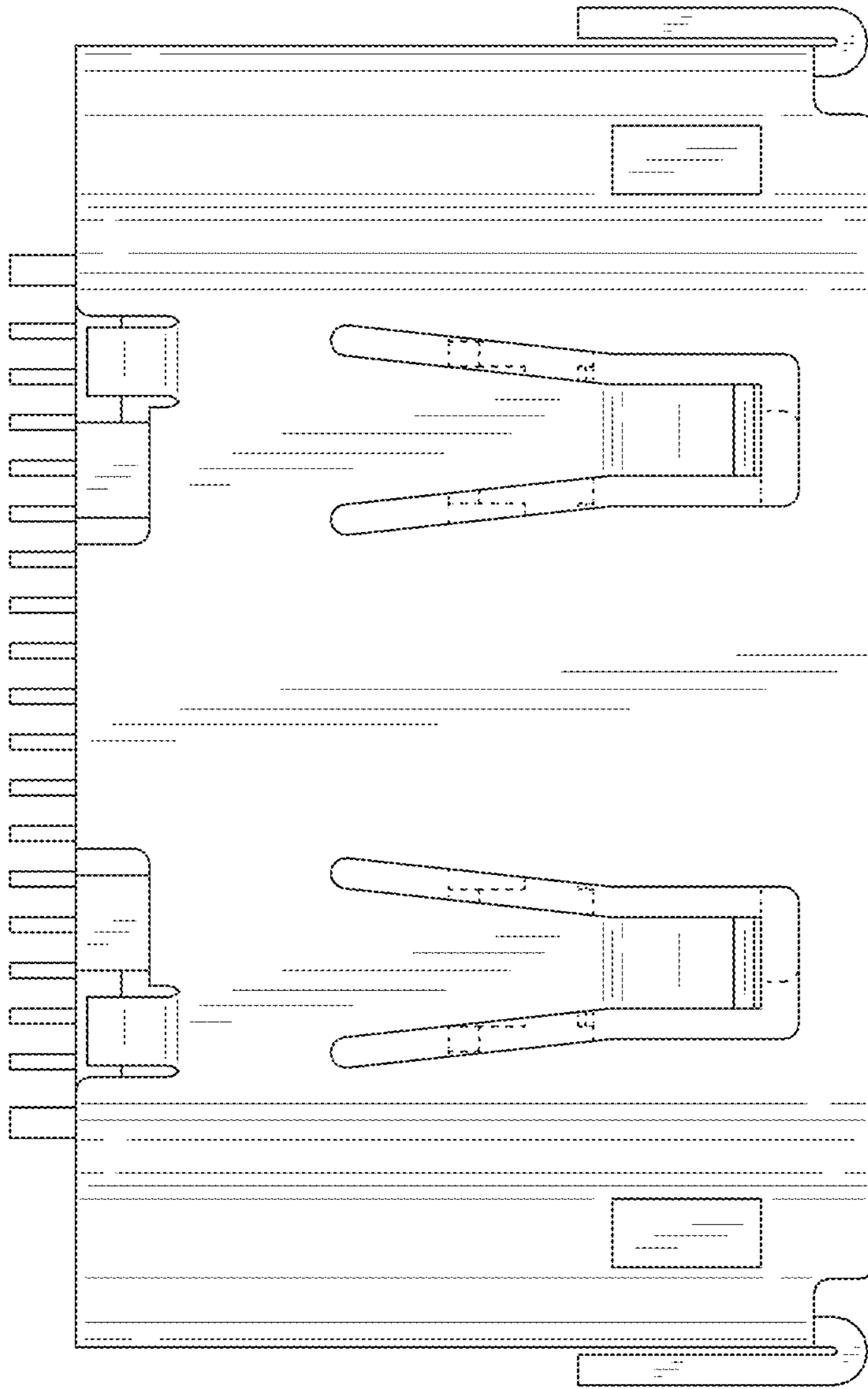


FIG.5

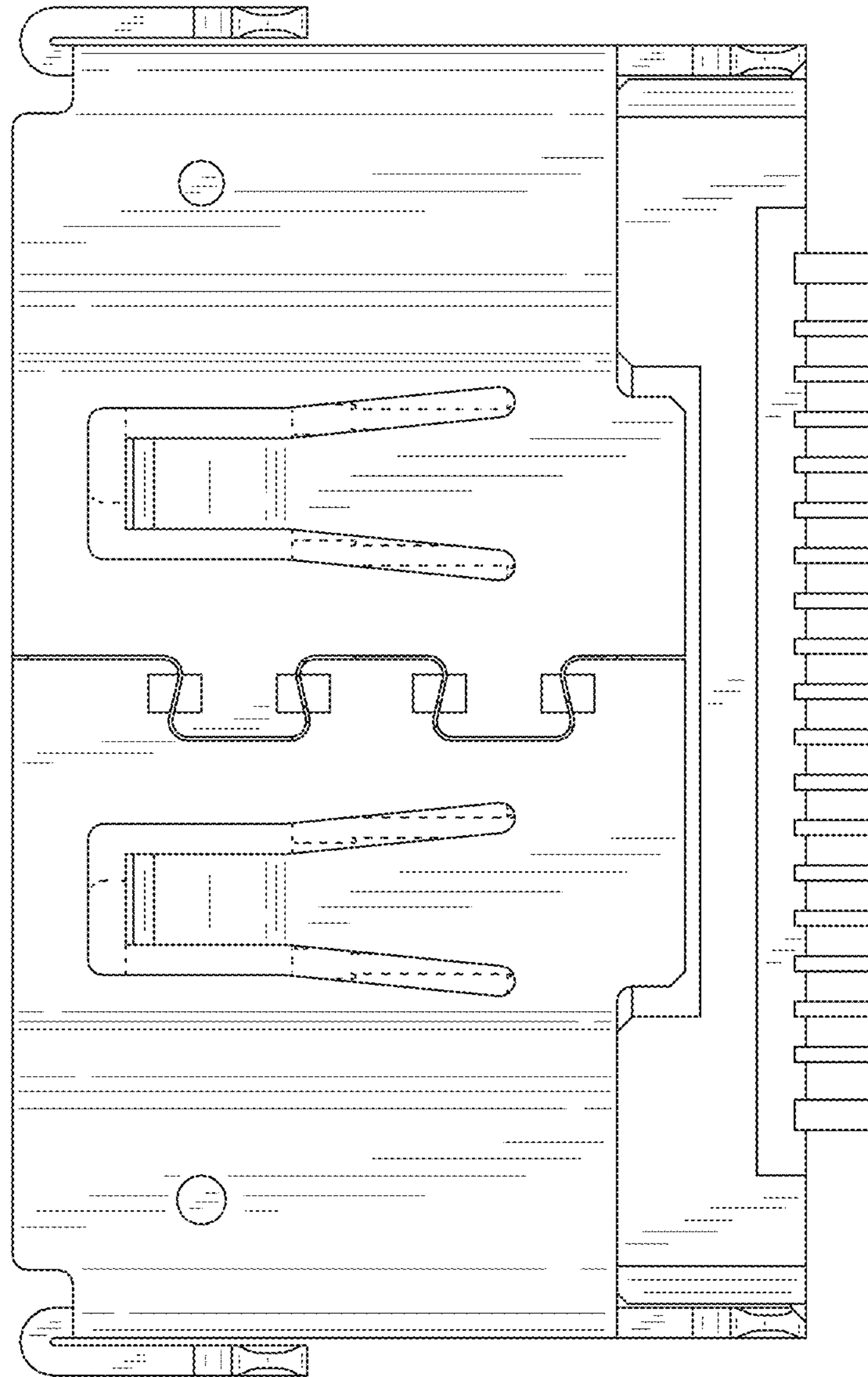


FIG.6

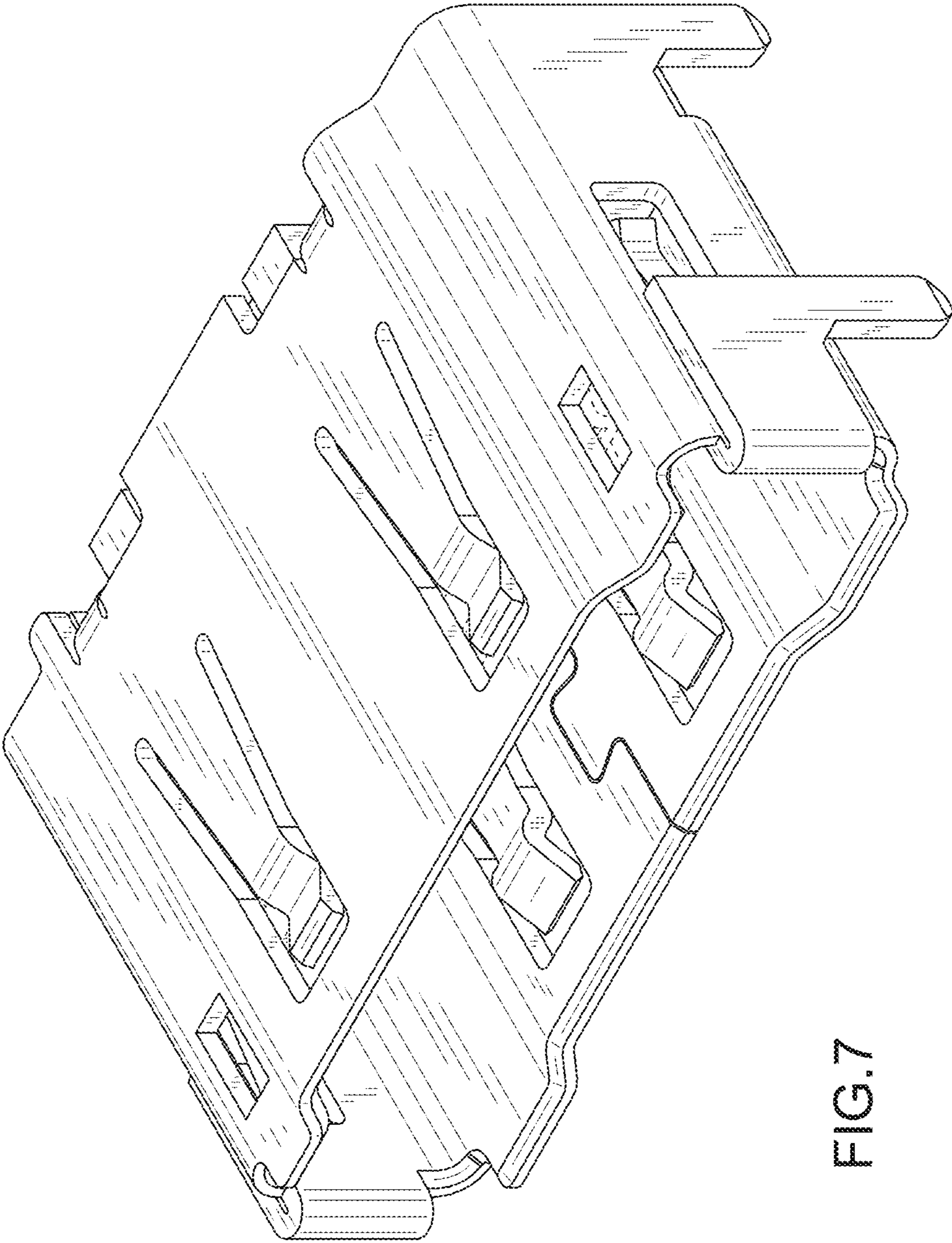


FIG. 7



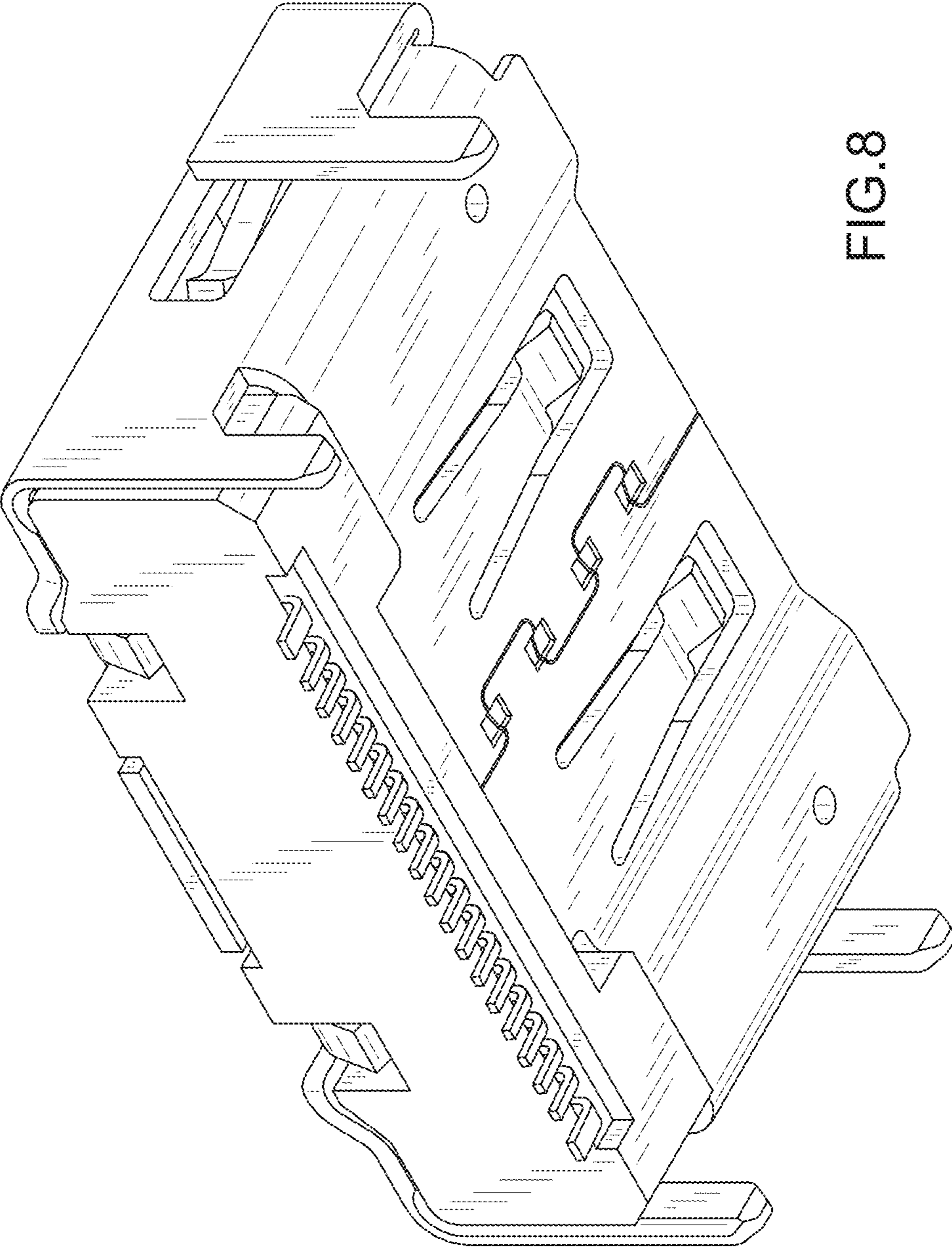


FIG. 8

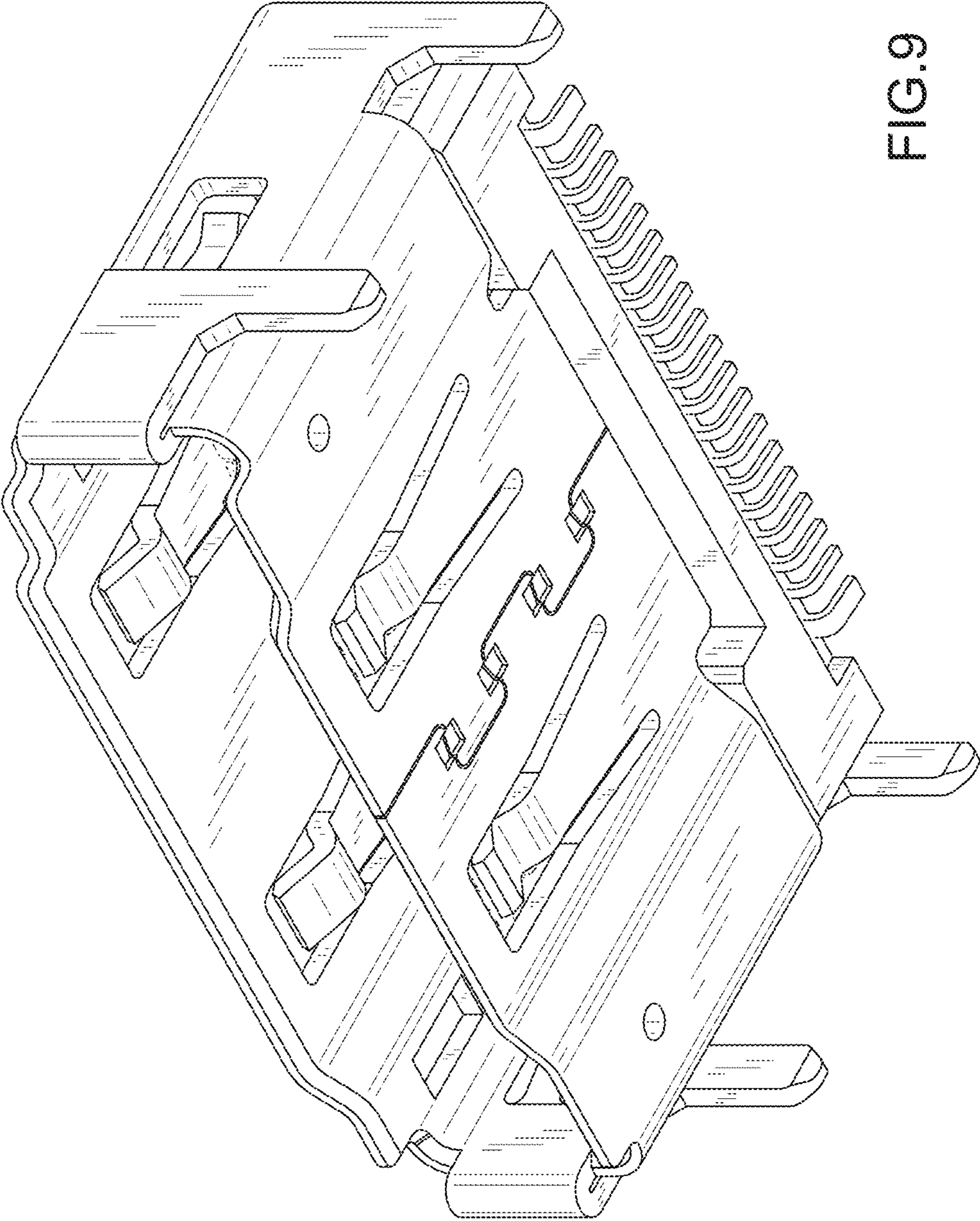


FIG. 9

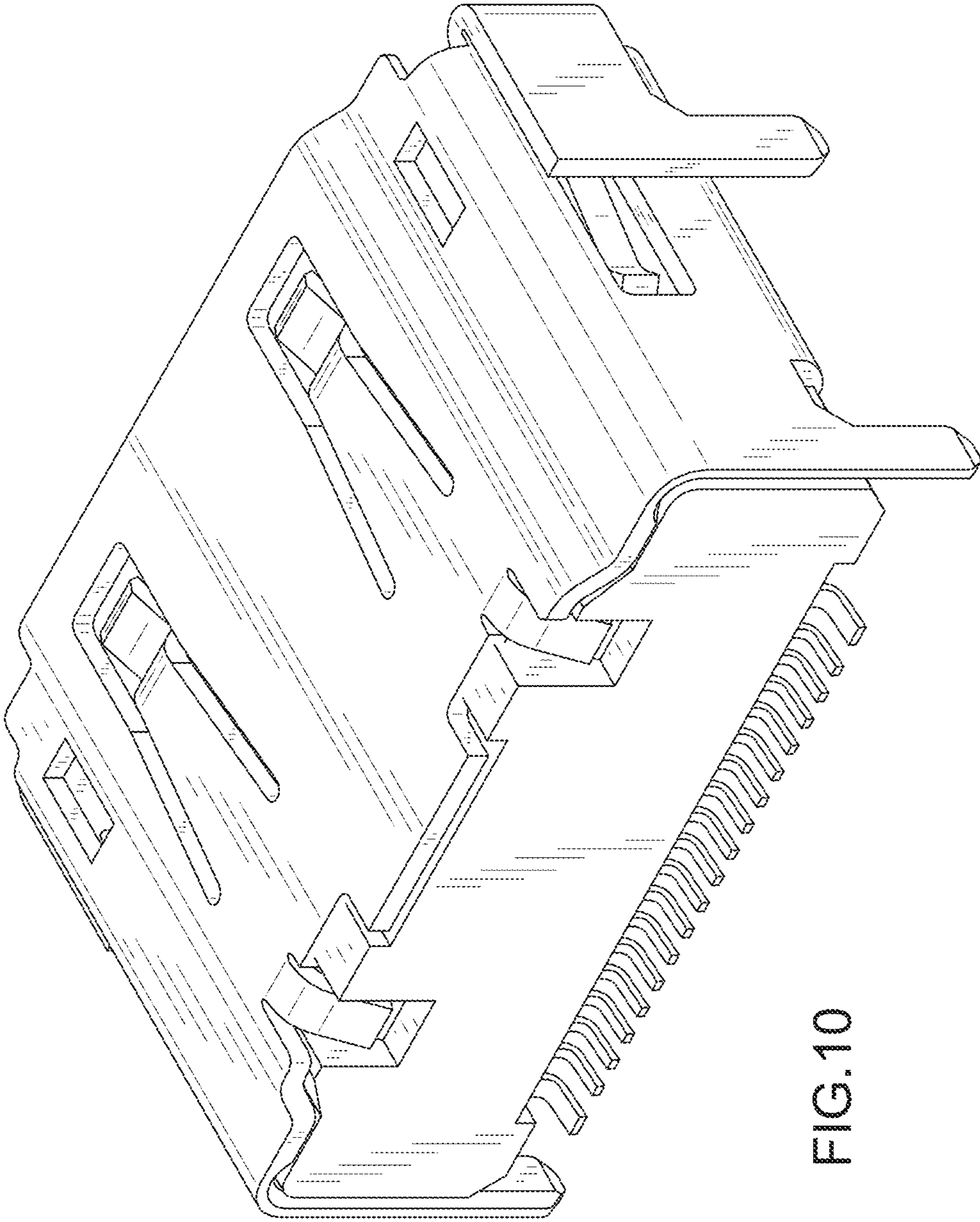


FIG.10