



US00D725040S

(12) **United States Design Patent**
Bailey et al.

(10) **Patent No.:** **US D725,040 S**

(45) **Date of Patent:** **** Mar. 24, 2015**

(54) **CONNECTOR**

(71) Applicant: **Microsoft Corporation**, Redmond, WA (US)

(72) Inventors: **Katherine Bailey**, Seattle, WA (US);
Anthony Reed, Sammamish, WA (US);
Jan Raken, Seattle, WA (US); **Ralf Groene**, Kirkland, WA (US)

(73) Assignee: **Microsoft Corporation**, Redmond, WA (US)

(**) Term: **14 Years**

(21) Appl. No.: **29/450,192**

(22) Filed: **Mar. 15, 2013**

(51) **LOC (10) Cl.** **13-03**

(52) **U.S. Cl.**
USPC **D13/146; D13/147**

(58) **Field of Classification Search**
USPC D13/146, 147, 154, 184, 199; 439/350,
439/352, 439, 447, 582, 583, 607.01, 607.4,
439/607.5, 607.17, 607.25, 607.34, 607.41,
439/607.53, 660, 668, 677, 680, 892, 894
See application file for complete search history.

(56) **References Cited**

U.S. PATENT DOCUMENTS

D415,111 S * 10/1999 Lee D13/154
D514,524 S * 2/2006 Suckle D13/156
D629,752 S * 12/2010 Akana et al. D13/147

D630,582 S * 1/2011 Dai et al. D13/146
D676,812 S * 2/2013 Smith et al. D13/146
D699,684 S * 2/2014 Akana et al. D13/147

OTHER PUBLICATIONS

Grant Brunner, Apple Patent Reveals Programmable Magnetic Power Cable. Published Jan. 27, 2013 on Macgasm.net [online]. [Retrieved Oct. 29, 2013] Retrieved from Internet <URL:http://www.macgasm.net/2012/01/27/apple-patent-reveals-programmable-magnetic-power-cable/>.

* cited by examiner

Primary Examiner — Daniel Bui

(74) *Attorney, Agent, or Firm* — Banner & Witcoff, Ltd.

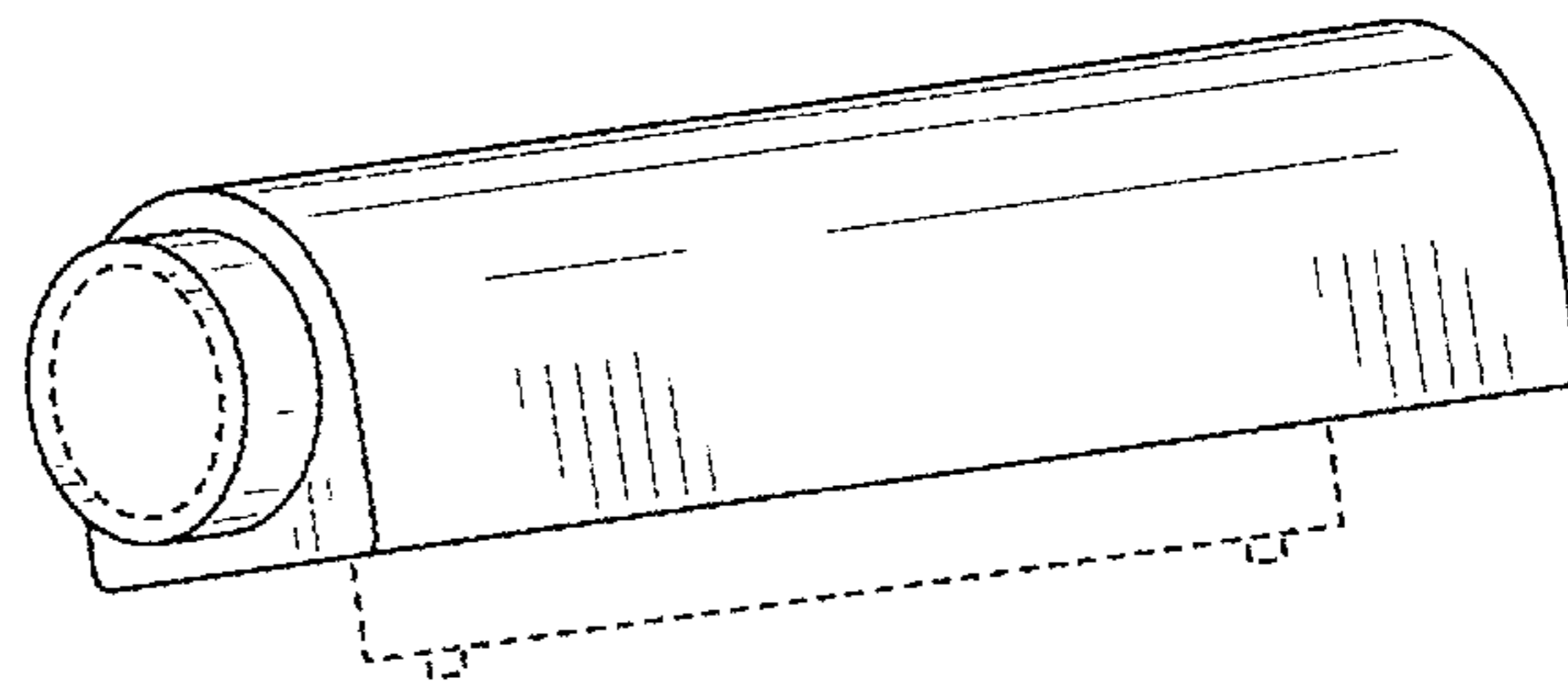
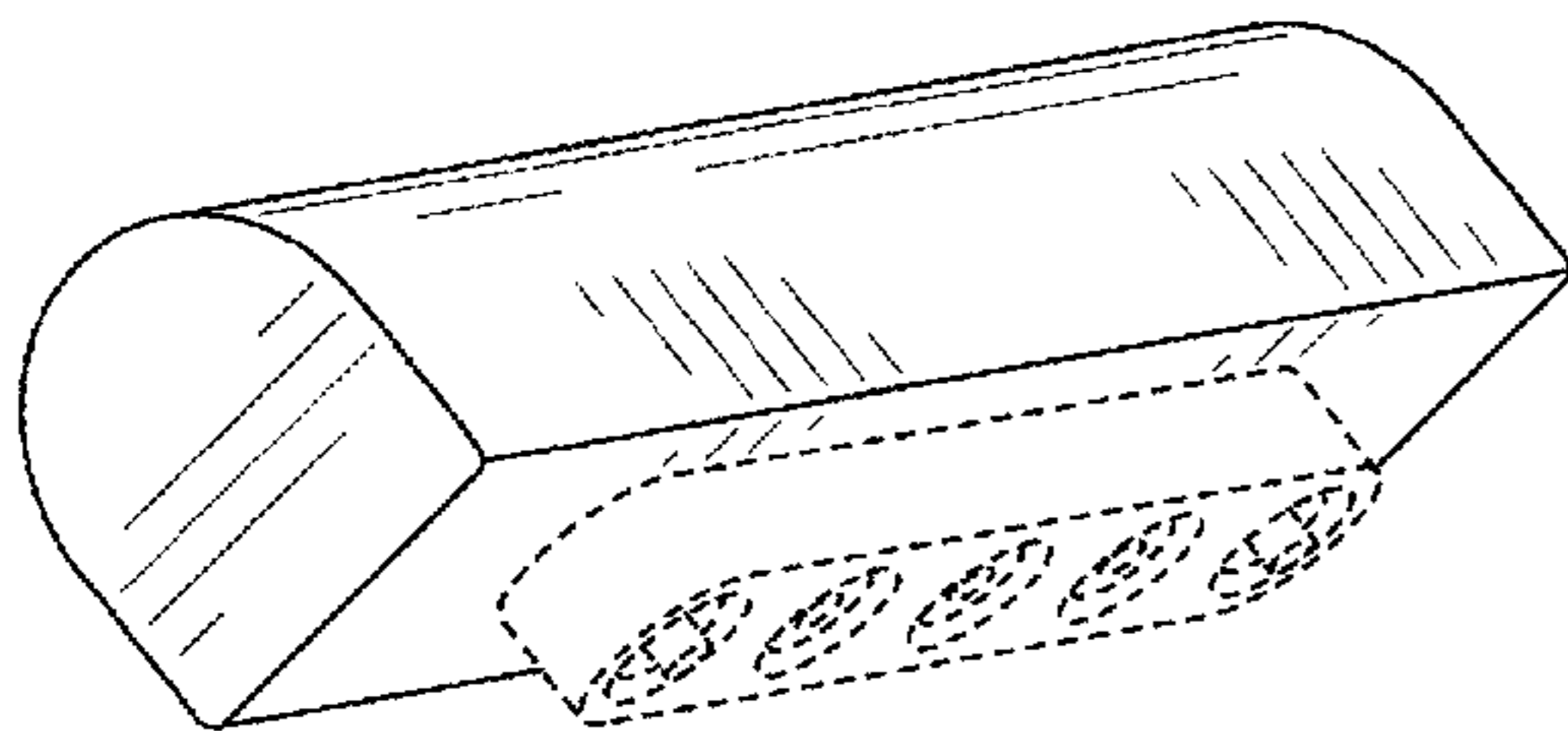
(57) **CLAIM**

The ornamental design for a connector, as shown and described.

DESCRIPTION

FIG. 1 is a top perspective view of a connector showing our new design;
FIG. 2 is a bottom perspective view thereof;
FIG. 3 is a right side view thereof;
FIG. 4 is a left side view thereof;
FIG. 5 is a rear view thereof;
FIG. 6 is a front view thereof;
FIG. 7 is a top view thereof; and,
FIG. 8 is a bottom view thereof.
The broken-line showing of various unshaded elements on the connector is for environmental purposes only and forms no part of the claimed design.

1 Claim, 4 Drawing Sheets



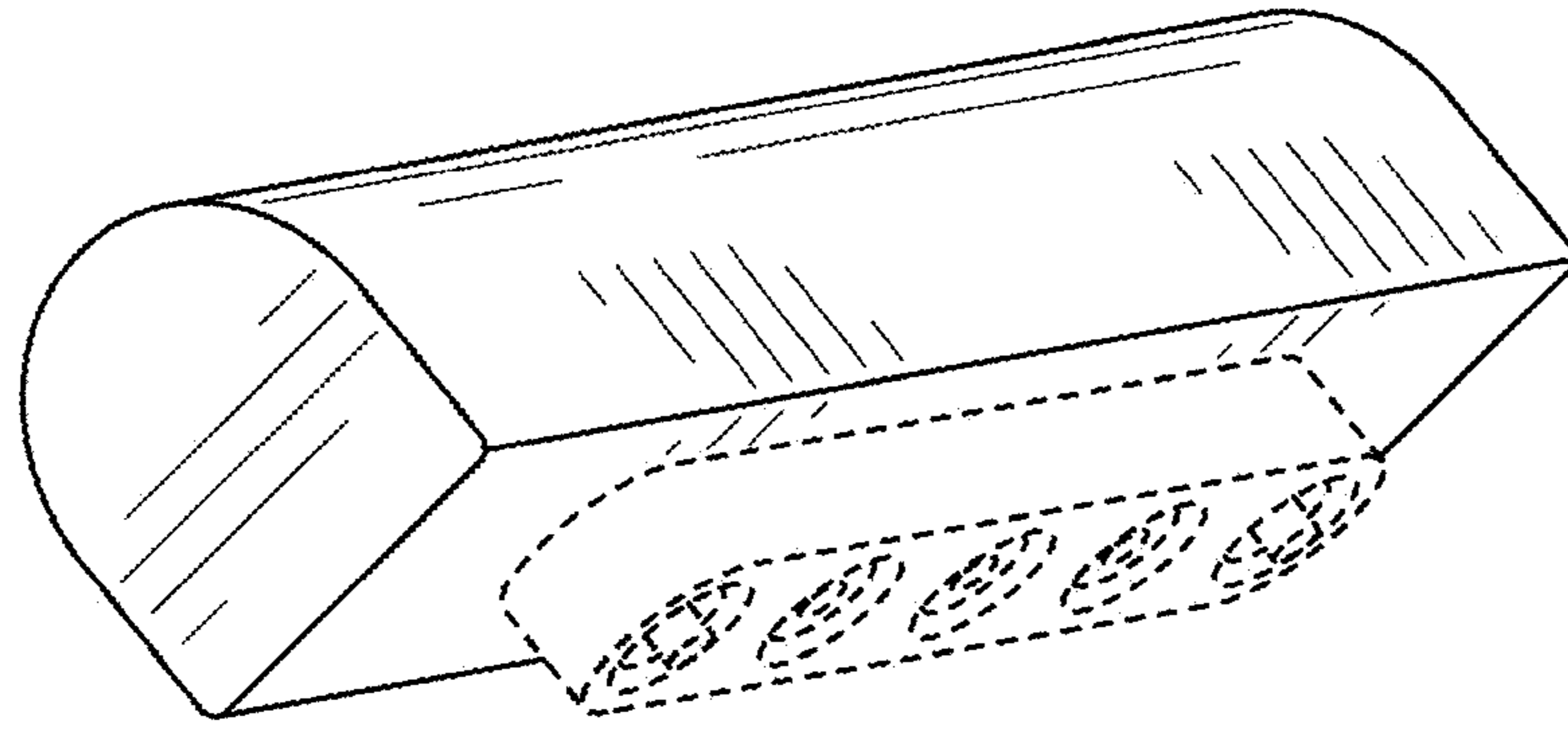


FIG. 1

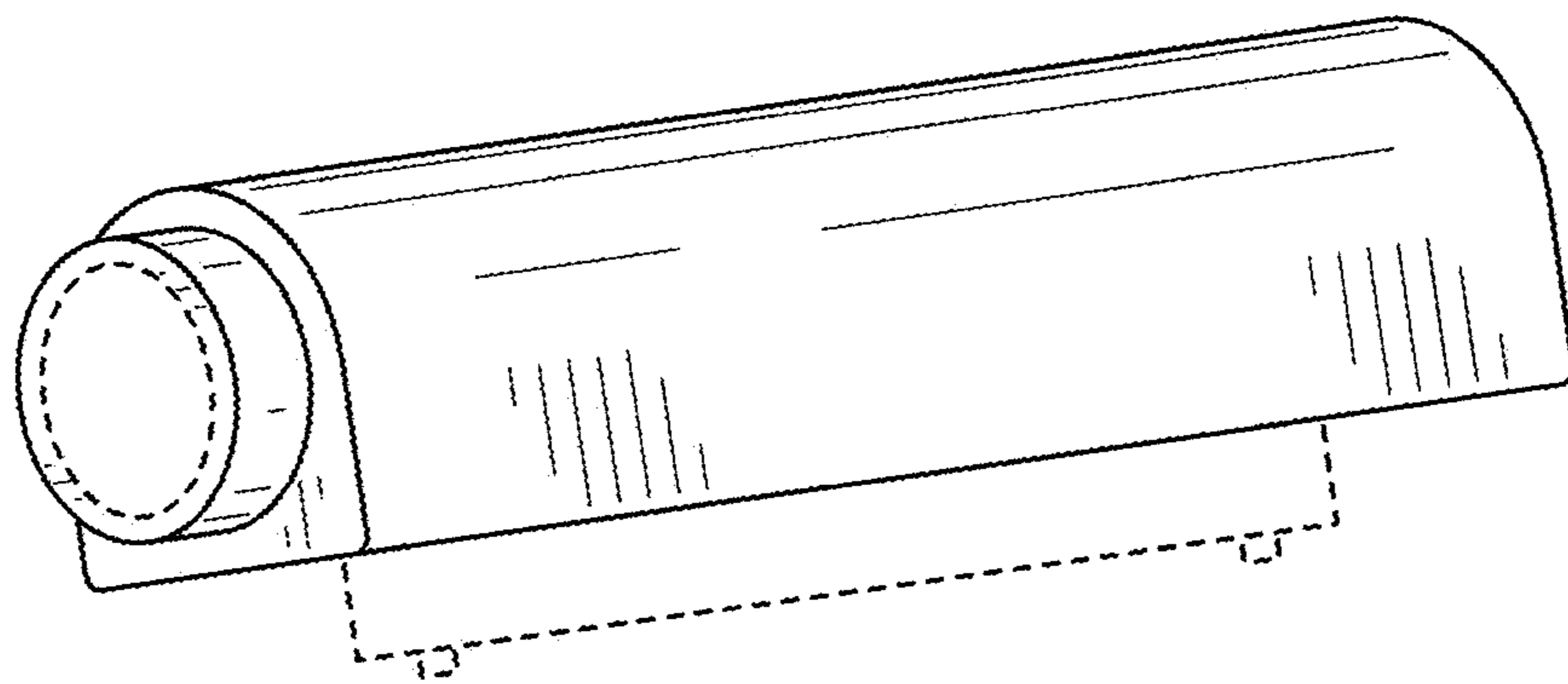


FIG. 2

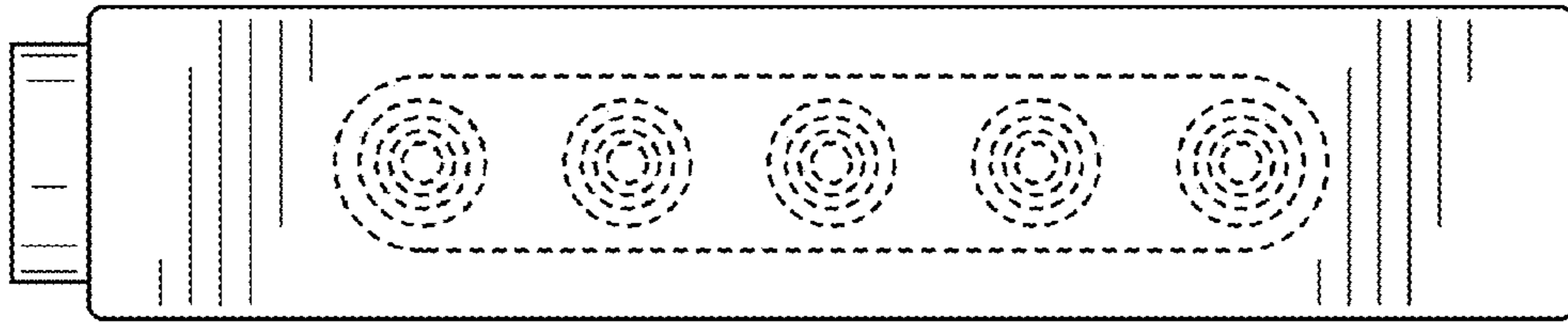


FIG. 3

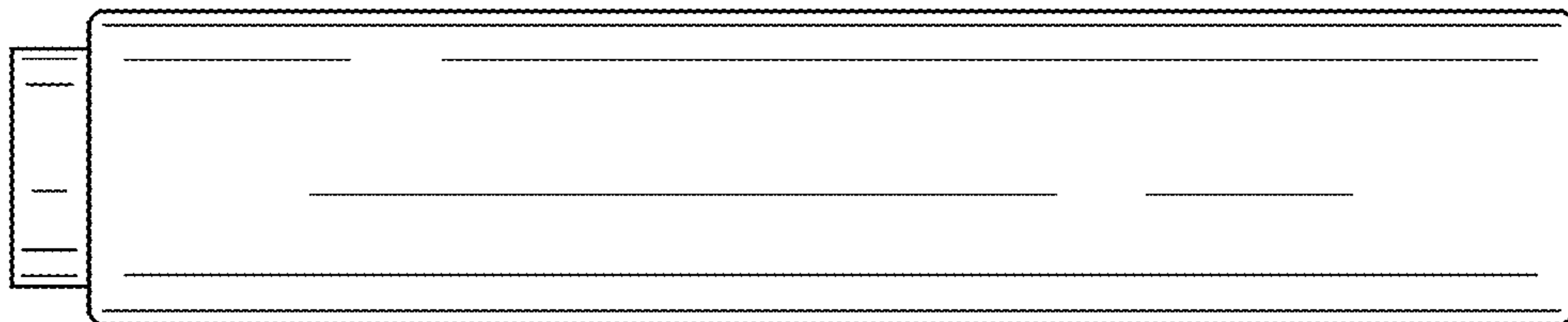


FIG. 4

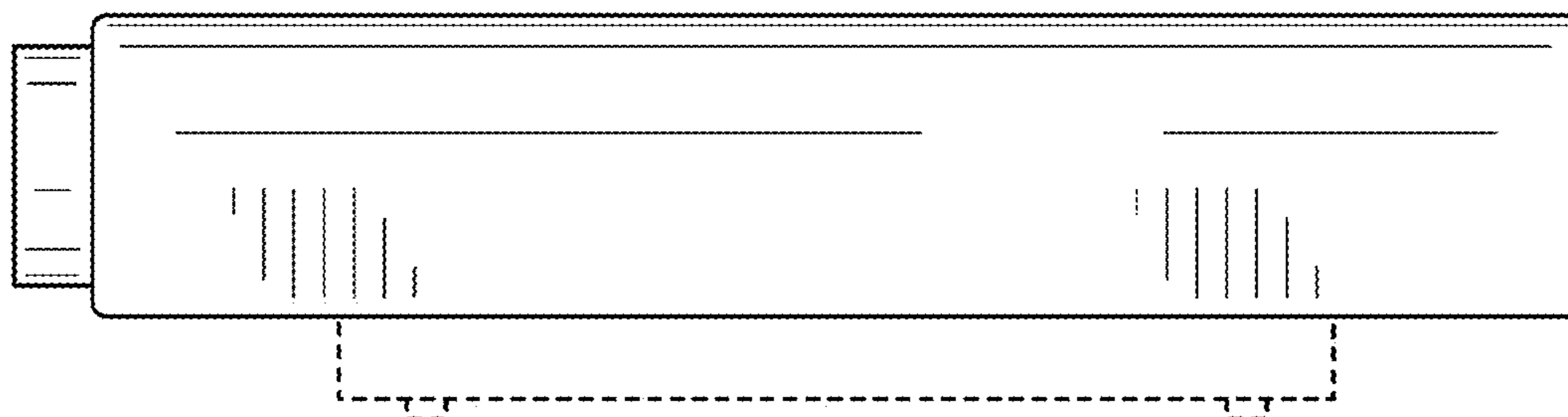


FIG. 5

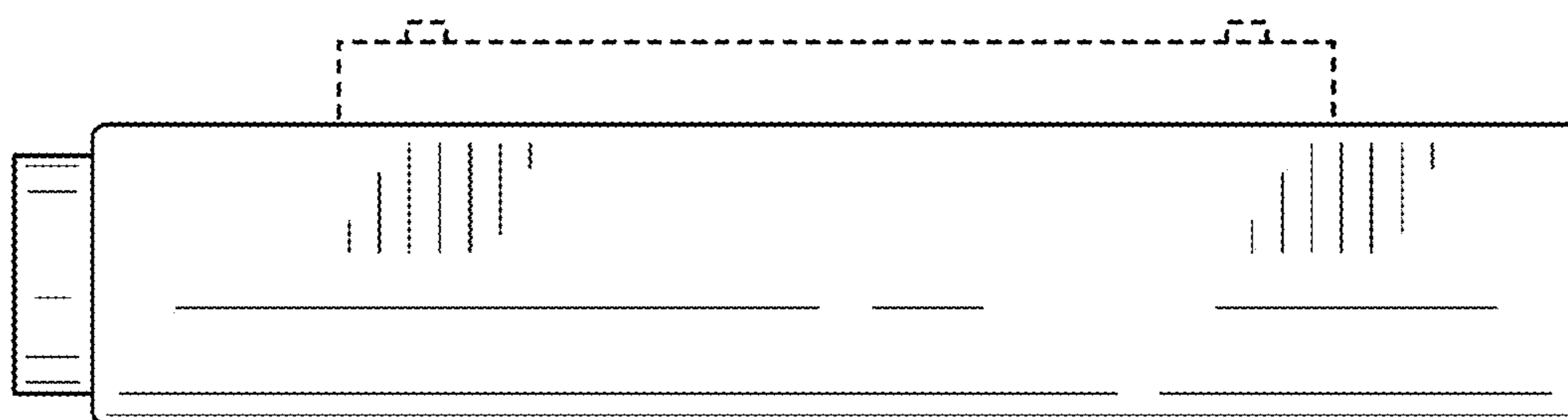


FIG. 6

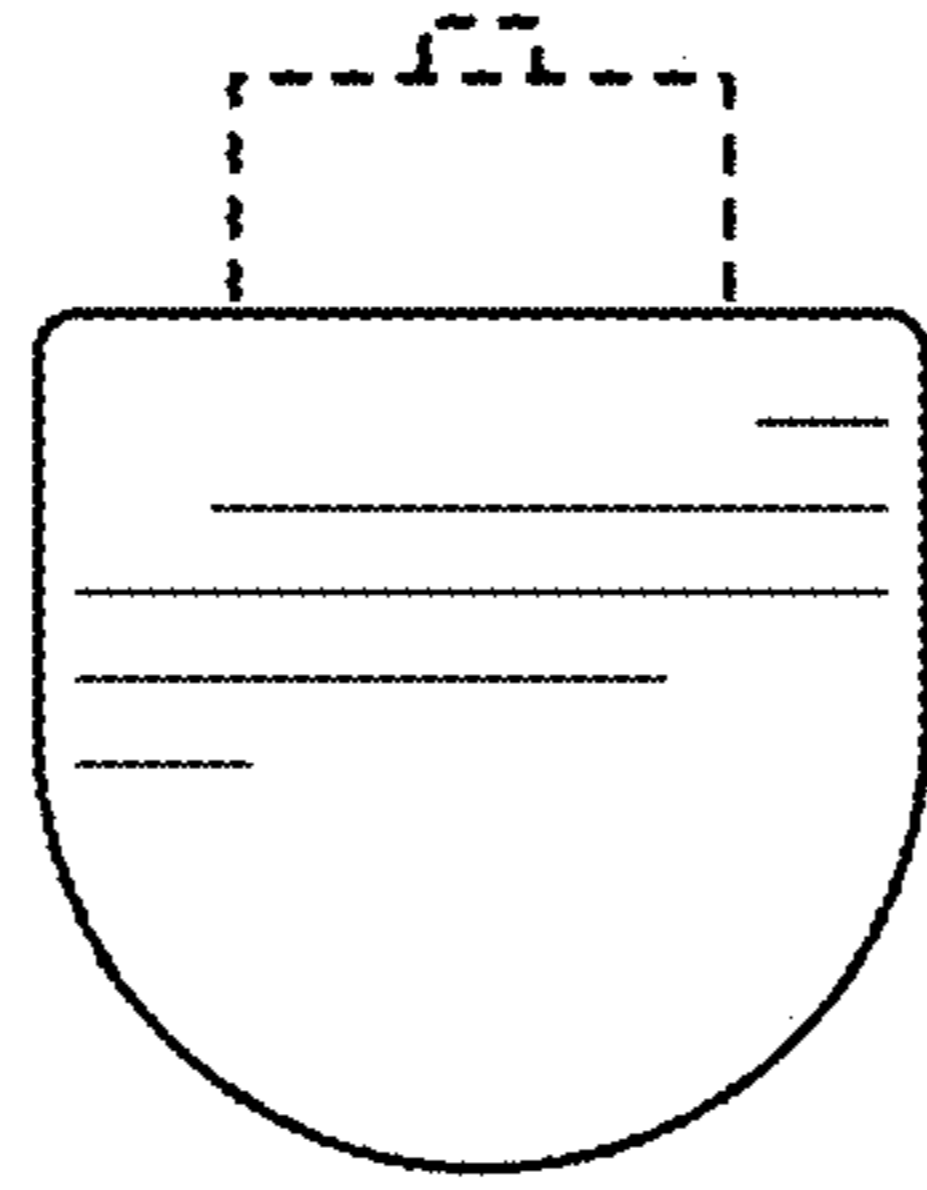


FIG. 7

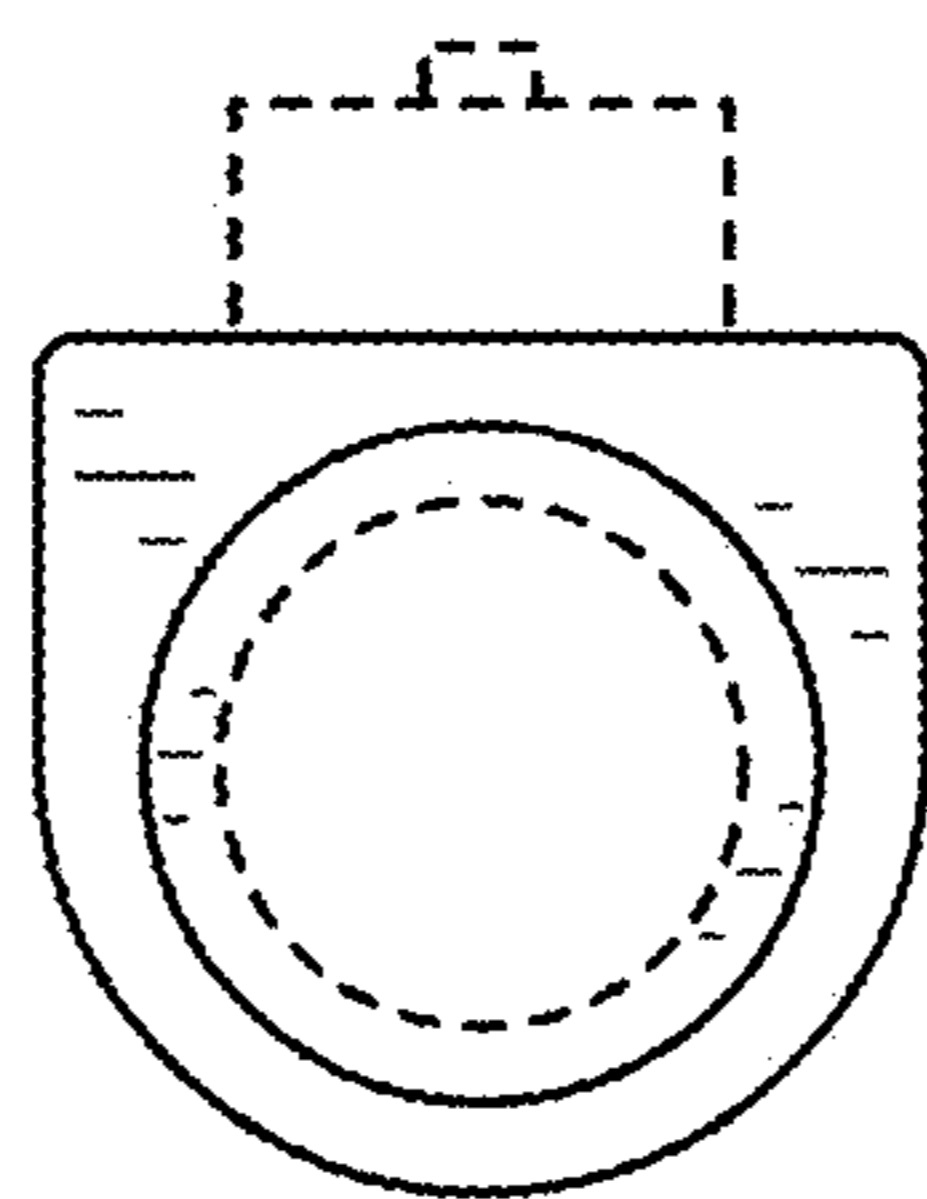


FIG. 8