



US00D725039S

(12) **United States Design Patent**  
**Li**

(10) **Patent No.:** **US D725,039 S**  
(45) **Date of Patent:** **\*\* Mar. 24, 2015**

(54) **SOCKET FOR LED TUBE-LAMP**

(71) Applicant: **Shenzhen Xingrisheng Industrial Co., Ltd.**, Shenzhen (CN)

(72) Inventor: **Xiuqi Li**, Shenzhen (CN)

(73) Assignee: **Shenzhen Xingrisheng Industrial Co., Ltd.**, Shenzhen (CN)

(\*\*) Term: **14 Years**

(21) Appl. No.: **29/468,324**

(22) Filed: **Sep. 27, 2013**

(30) **Foreign Application Priority Data**

Apr. 19, 2013 (CN) ..... 2013 3 0124258

(51) **LOC (10) Cl.** ..... **13-03**

(52) **U.S. Cl.**  
USPC ..... **D13/134**

(58) **Field of Classification Search**  
USPC ..... 313/318.01, 318.12; 362/430, 555, 581,  
362/651; 439/131, 226, 236, 256, 300, 336,  
439/534, 602, 604, 605; D13/133, 134,  
D13/135, 136, 151, 154, 158, 162, 165, 180,  
D13/184, 199; D26/106, 113, 2, 24, 26, 3,  
D26/60, 61

See application file for complete search history.

(56) **References Cited**

**U.S. PATENT DOCUMENTS**

2,283,454 A \* 5/1942 Osterloo ..... 439/233  
D162,744 S \* 4/1951 McCann ..... D26/78  
3,989,335 A \* 11/1976 Belokin, Jr. .... 439/225

D316,910 S \* 5/1991 Hazerjian et al. .... D26/67  
D329,639 S \* 9/1992 Arvanitakis et al. .... D13/165  
5,453,917 A \* 9/1995 Ogawa ..... 362/222  
D380,731 S \* 7/1997 Schadhauer ..... D13/134  
D392,257 S \* 3/1998 Lecheler et al. .... D13/184  
D415,468 S \* 10/1999 Klaus et al. .... D13/134  
D418,936 S \* 1/2000 Dunning ..... D26/76  
D448,499 S \* 9/2001 Choi ..... D26/3  
D530,837 S \* 10/2006 Loughrey et al. .... D26/3  
D558,917 S \* 1/2008 Kitagawa et al. .... D26/138  
D574,093 S \* 7/2008 Kitagawa et al. .... D26/3  
D577,138 S \* 9/2008 Kitagawa et al. .... D26/37  
D585,377 S \* 1/2009 Zayas ..... D13/134  
D603,089 S \* 10/2009 Uchida et al. .... D26/138  
D611,172 S \* 3/2010 Lin et al. .... D26/3  
D645,589 S \* 9/2011 Fukano et al. .... D26/3  
D647,246 S \* 10/2011 Chadwick ..... D26/138  
D652,967 S \* 1/2012 Duster ..... D26/3

\* cited by examiner

*Primary Examiner* — Derrick Holland  
*Assistant Examiner* — Jennifer O King

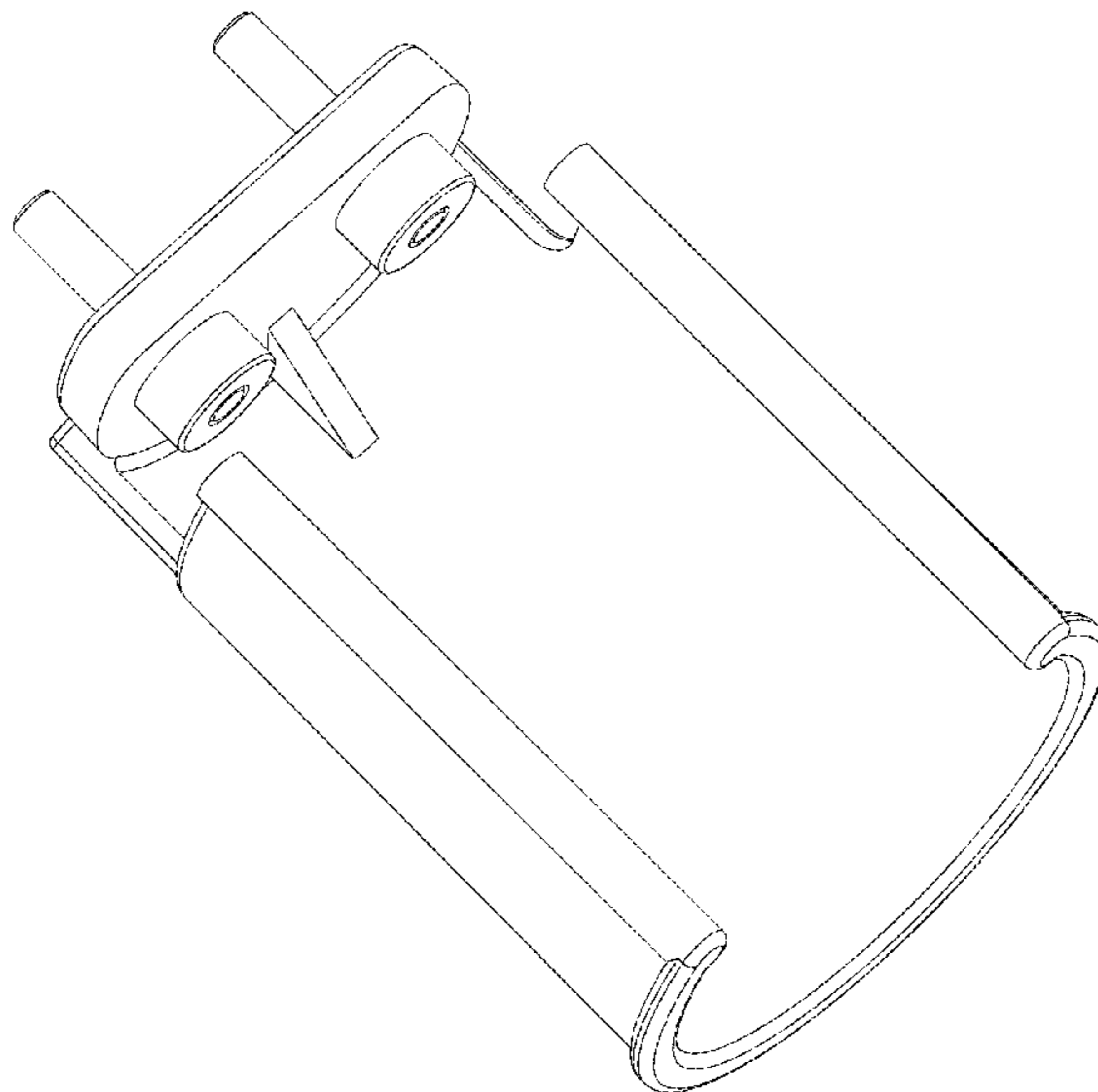
(57) **CLAIM**

The ornamental design for a socket for LED tube-lamp, as shown and described.

**DESCRIPTION**

FIG. 1 is a perspective view of a socket for LED tube-lamp showing my new design;  
FIG. 2 is another perspective view thereof;  
FIG. 3 is a front elevation view thereof;  
FIG. 4 is a back elevation view thereof;  
FIG. 5 is a top plan view thereof;  
FIG. 6 is a bottom plan view thereof;  
FIG. 7 is a left elevation view thereof; and,  
FIG. 8 is a right elevation view thereof.

**1 Claim, 5 Drawing Sheets**



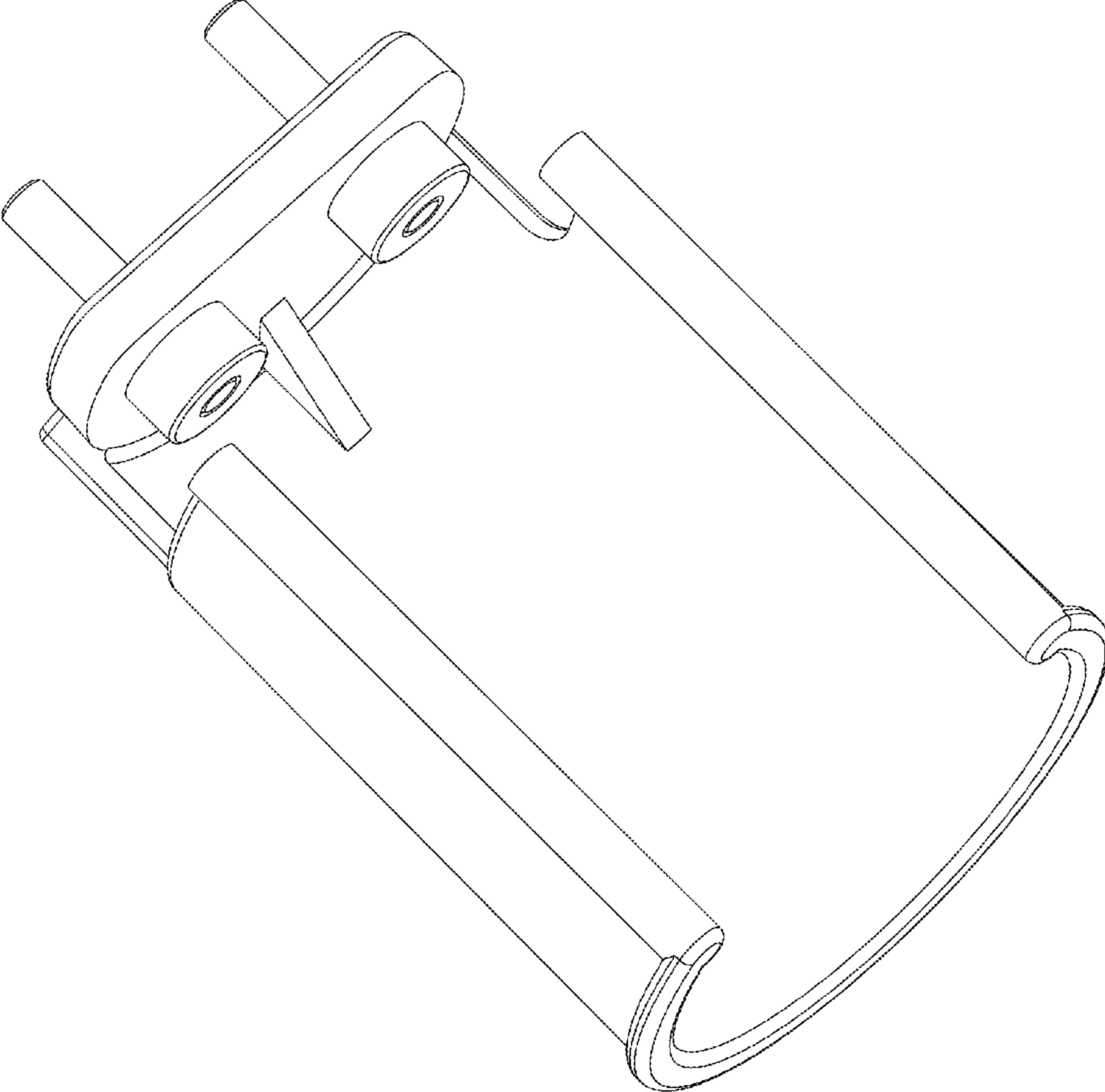


Fig.1

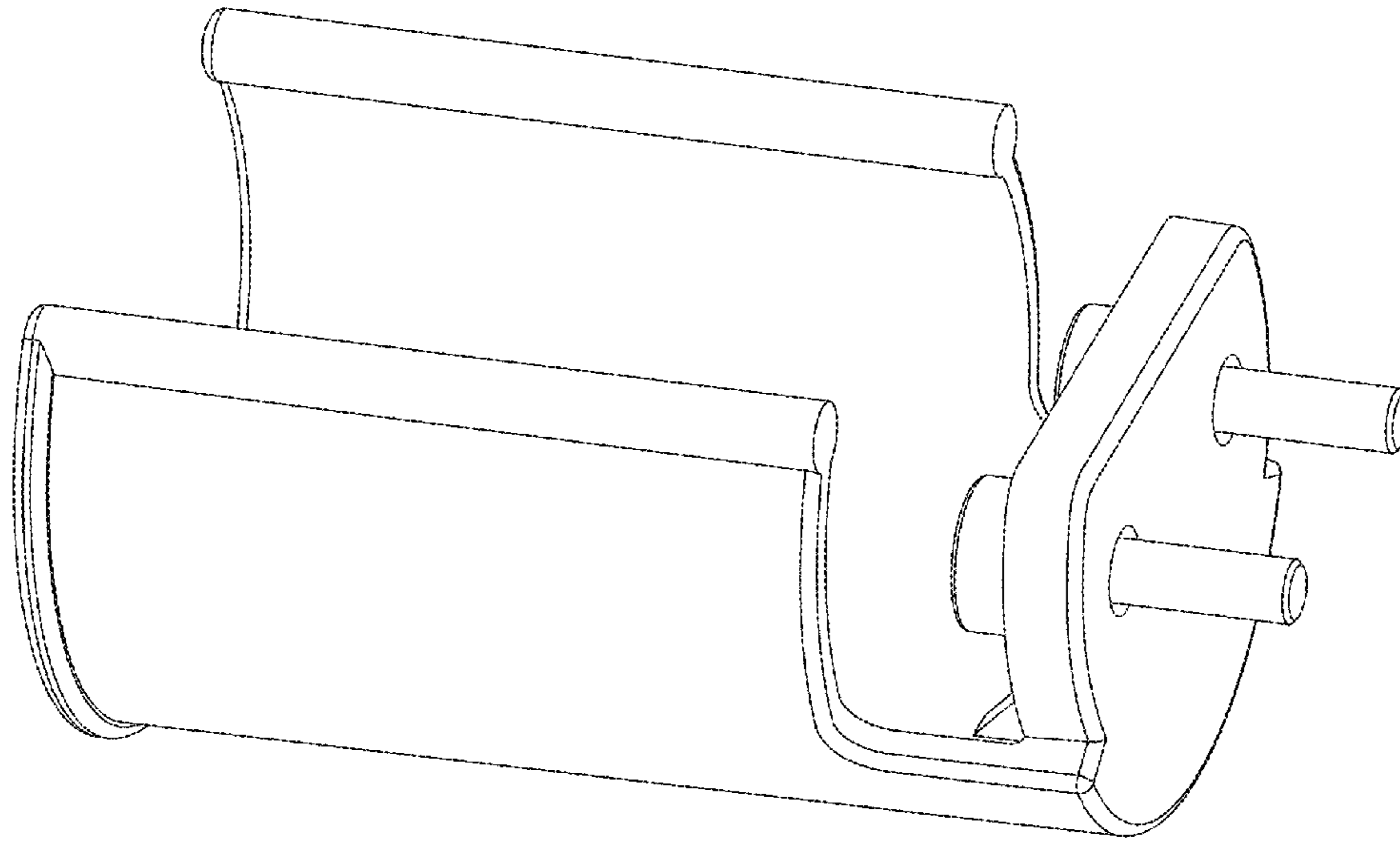


Fig. 2

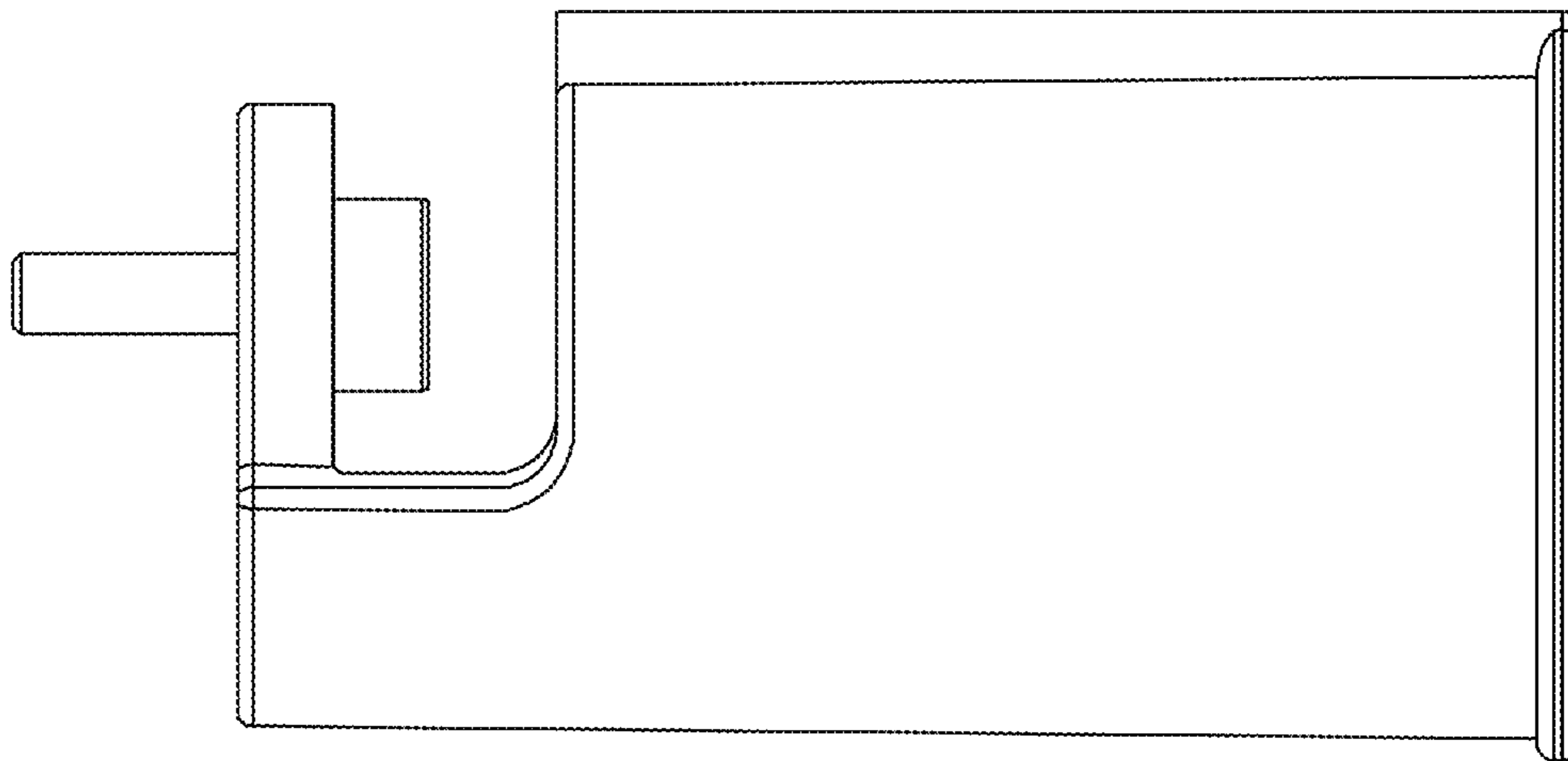


Fig. 3

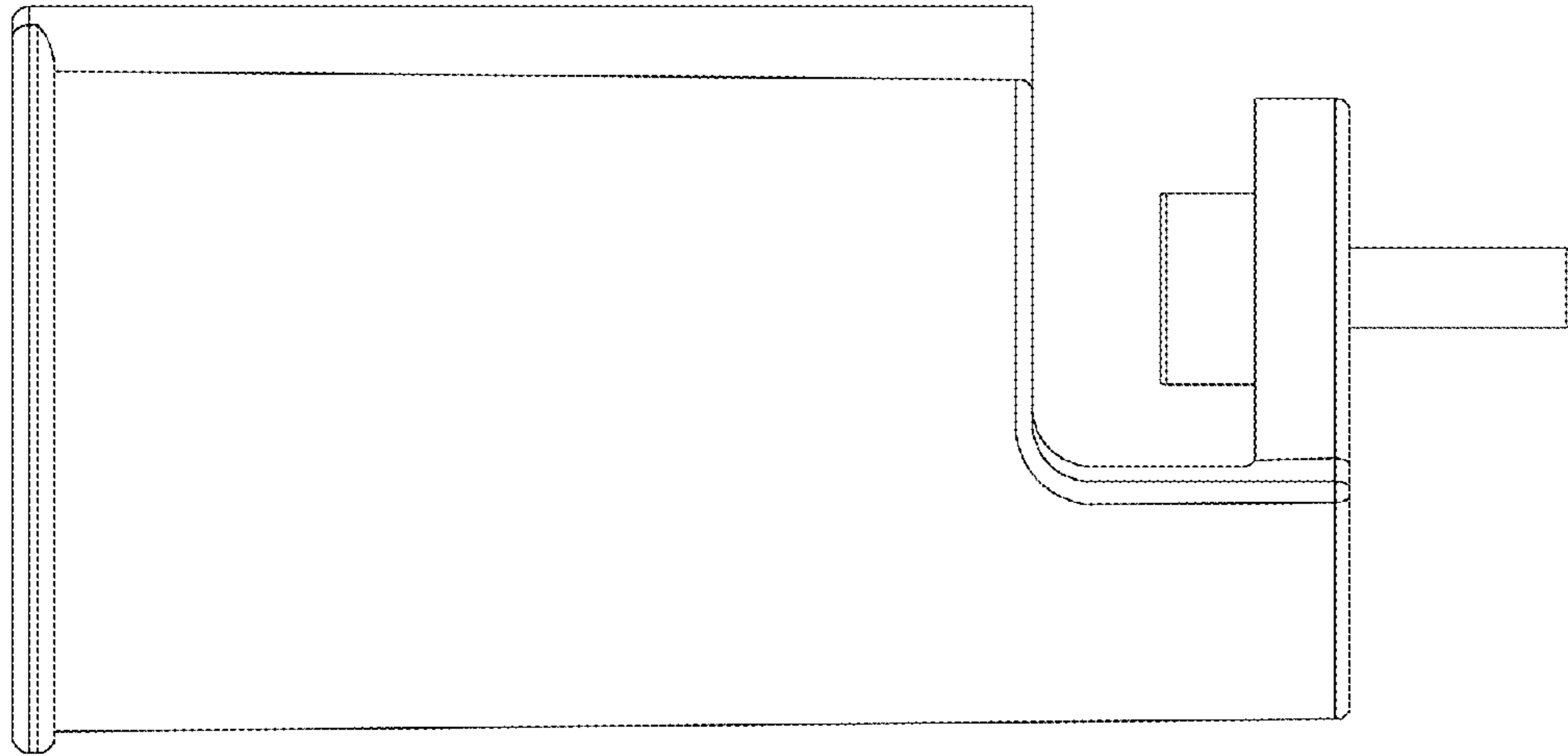


Fig.4

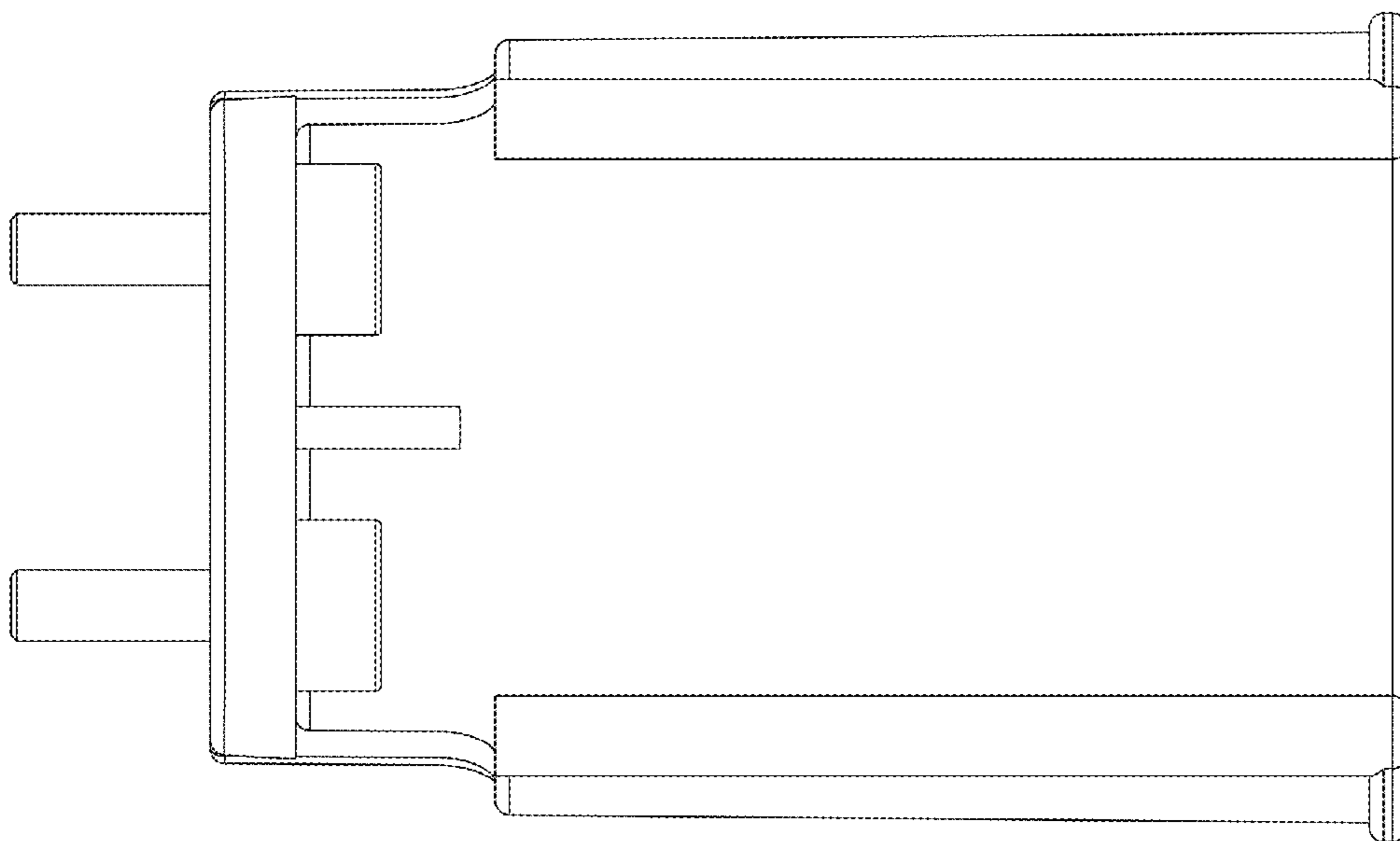


Fig.5

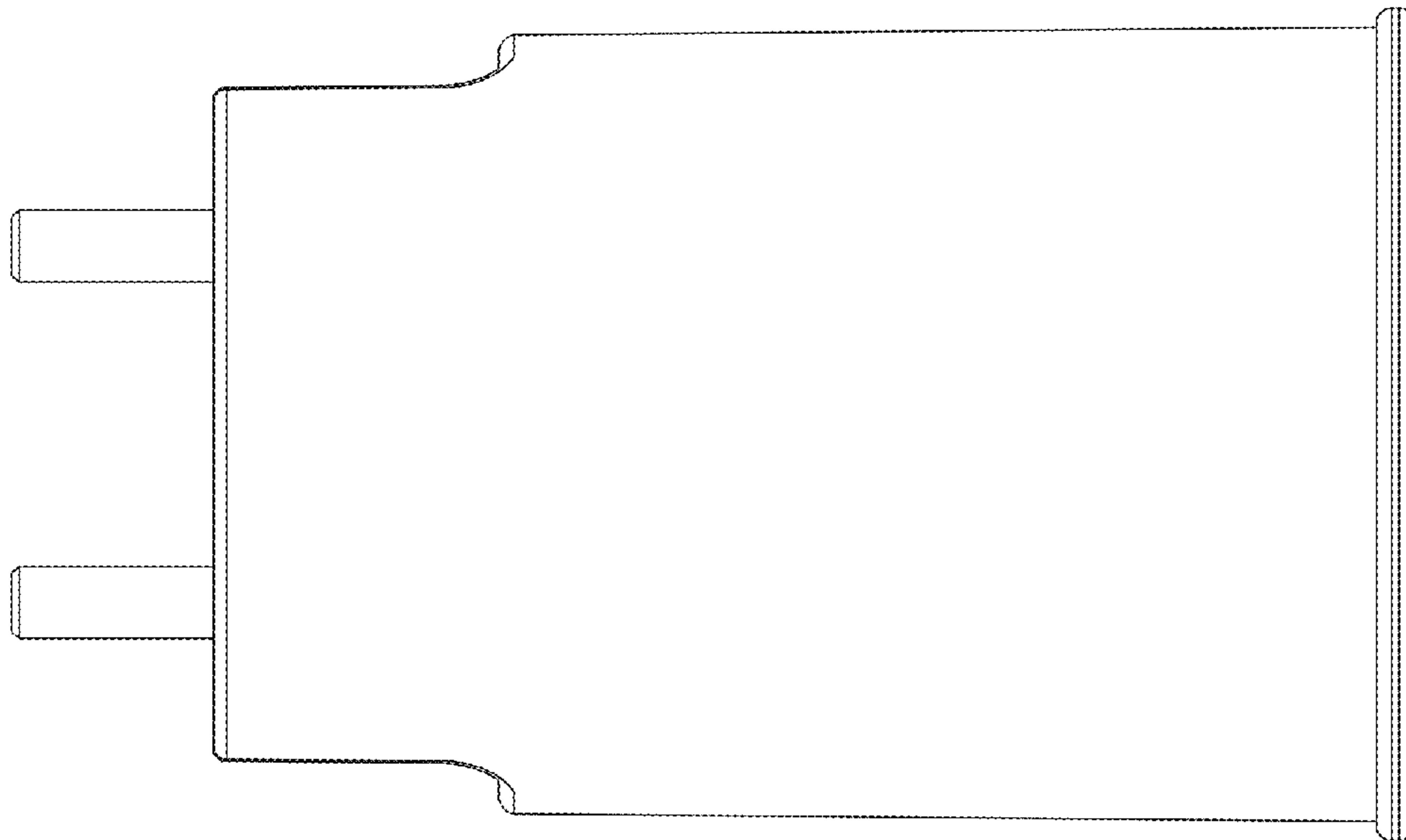


Fig.6

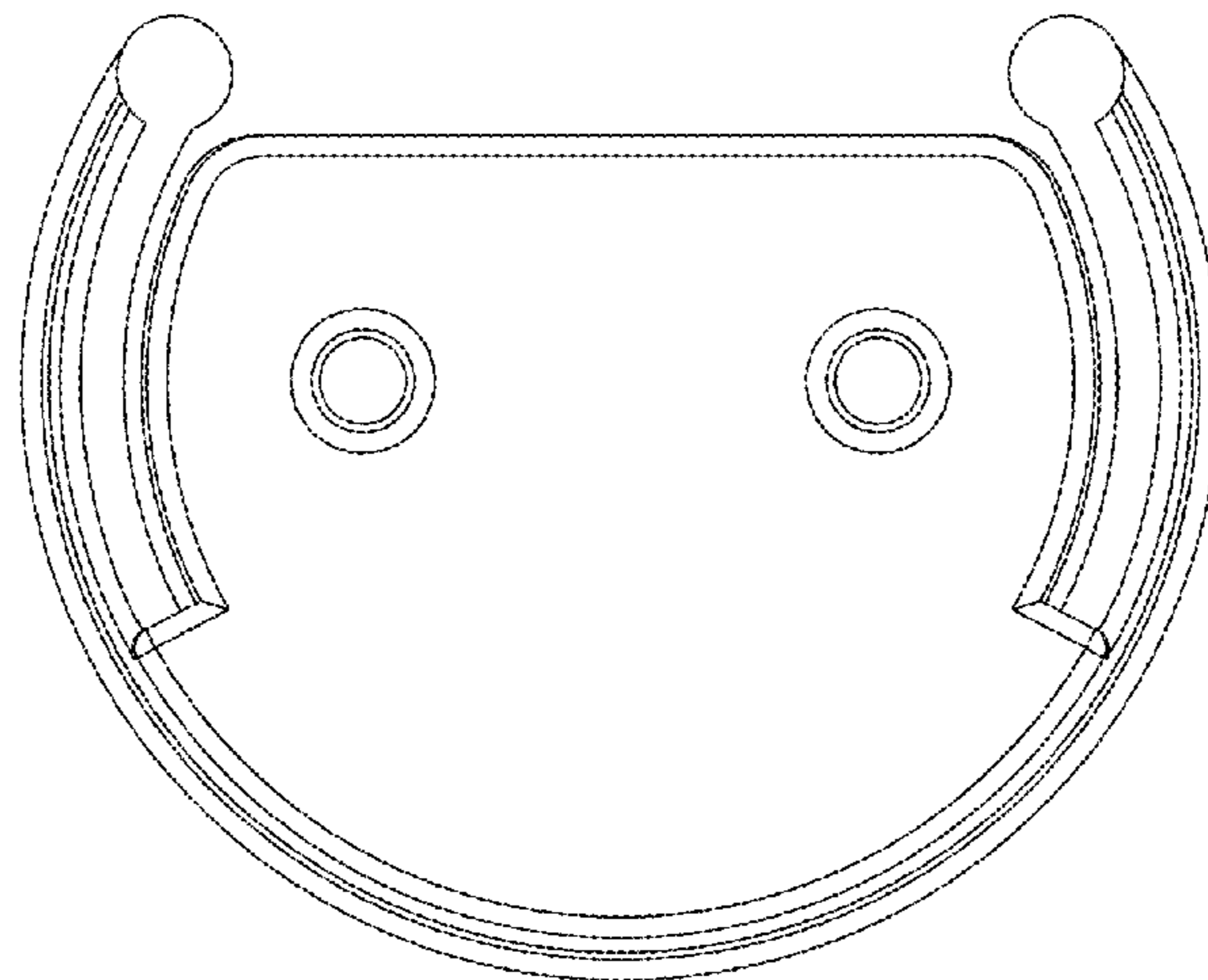


Fig.7

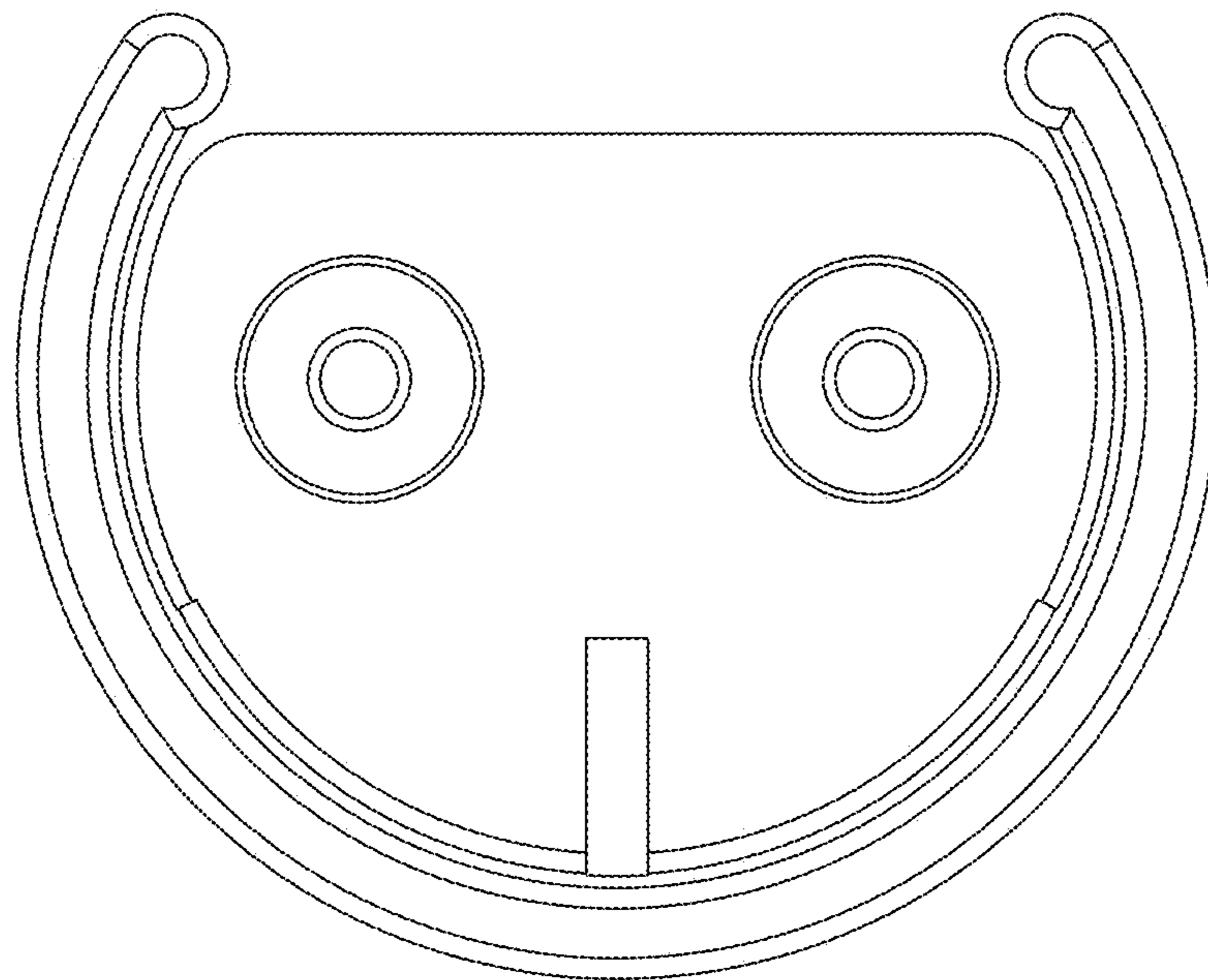


Fig.8