



US00D725037S

(12) **United States Design Patent**
Norman et al.

(10) **Patent No.:** **US D725,037 S**
(45) **Date of Patent:** **** Mar. 24, 2015**

(54) **MOTOR ASSEMBLY HOUSING FOR A CONSTRUCTION KIT**

- (71) Applicant: **Innovation First, Inc.**, Greenville, TX (US)
- (72) Inventors: **David Anthony Norman**, Greenville, TX (US); **Robert H. Mimplitch, III**, Rowlett, TX (US); **Raul Olivera**, Greenville, TX (US); **Douglas Michael Galletti**, Allen, TX (US); **Gregory James Lavender**, Rockwell, TX (US); **Jeffrey Russel Waegelin**, Rockwell, TX (US); **James Anthony Trzaskos**, Greenville, TX (US); **Kelvin Gunnar Frank**, Greenville, TX (US); **Jason Alan Weihman**, Greenville, TX (US); **Thomas Charles Glick**, Greenville, TX (US); **Arthur Philip Dutra, IV**, Greenville, TX (US); **John Edward Vielkind-Neun**, Greenville, TX (US); **Paul David Copioli**, Rockwell, TX (US)
- (73) Assignee: **Innovation First, Inc.**, Greenville, TX (US)
- (**) Term: **14 Years**
- (21) Appl. No.: **29/488,288**
- (22) Filed: **Apr. 17, 2014**
- (51) **LOC (10) Cl.** **13-01**
- (52) **U.S. Cl.**
USPC **D13/112**
- (58) **Field of Classification Search**
CPC **F02B 63/04**
USPC **290/1 A; 310/10, 40 R, 51, 58, 89, 91, 310/236, 239, 254.1; D13/110, 112, 114, D13/122, 152, 154, 156, 162, 184; D15/10, D15/17, 199, 28; D24/232; D25/199; D3/318**

See application file for complete search history.

(56) **References Cited**

U.S. PATENT DOCUMENTS

4,209,723	A *	6/1980	Hamman	310/112
D260,090	S *	8/1981	Hughes et al.	D13/152
D313,396	S *	1/1991	Messelhi	D13/154
D327,051	S *	6/1992	Schwartz	D13/118
D348,344	S *	6/1994	Apps	D3/318
D472,211	S *	3/2003	Tsergas	D13/122
6,577,034	B1 *	6/2003	Kitamura et al.	310/83
D478,603	S *	8/2003	Tsergas	D15/148
D491,209	S *	6/2004	Tsergas	D15/148
D525,584	S *	7/2006	Tsergas	D13/122
D694,186	S *	11/2013	Terashita et al.	D13/112
D705,874	S *	5/2014	Norman et al.	D21/491

* cited by examiner

Primary Examiner — Derrick Holland

Assistant Examiner — Jennifer O King

(74) *Attorney, Agent, or Firm* — Adam K. Sacharoff; Much Shelist

(57) **CLAIM**

The ornamental design for a motor assembly housing for a construction kit, as shown and described.

DESCRIPTION

FIG. 1 is a top front perspective view of a motor assembly housing for a construction kit in accordance with the invention;

FIG. 2 is a top rear perspective view thereof;

FIG. 3 is a bottom front perspective view thereof;

FIG. 4 is bottom rear perspective view thereof;

FIG. 5 is front side view thereof;

FIG. 6 is a rear side view thereof;

FIG. 7 is a right side view thereof;

FIG. 8 is a left side view thereof;

FIG. 9 is a top plan view thereof; and,

FIG. 10 is a bottom plan view thereof.

1 Claim, 10 Drawing Sheets

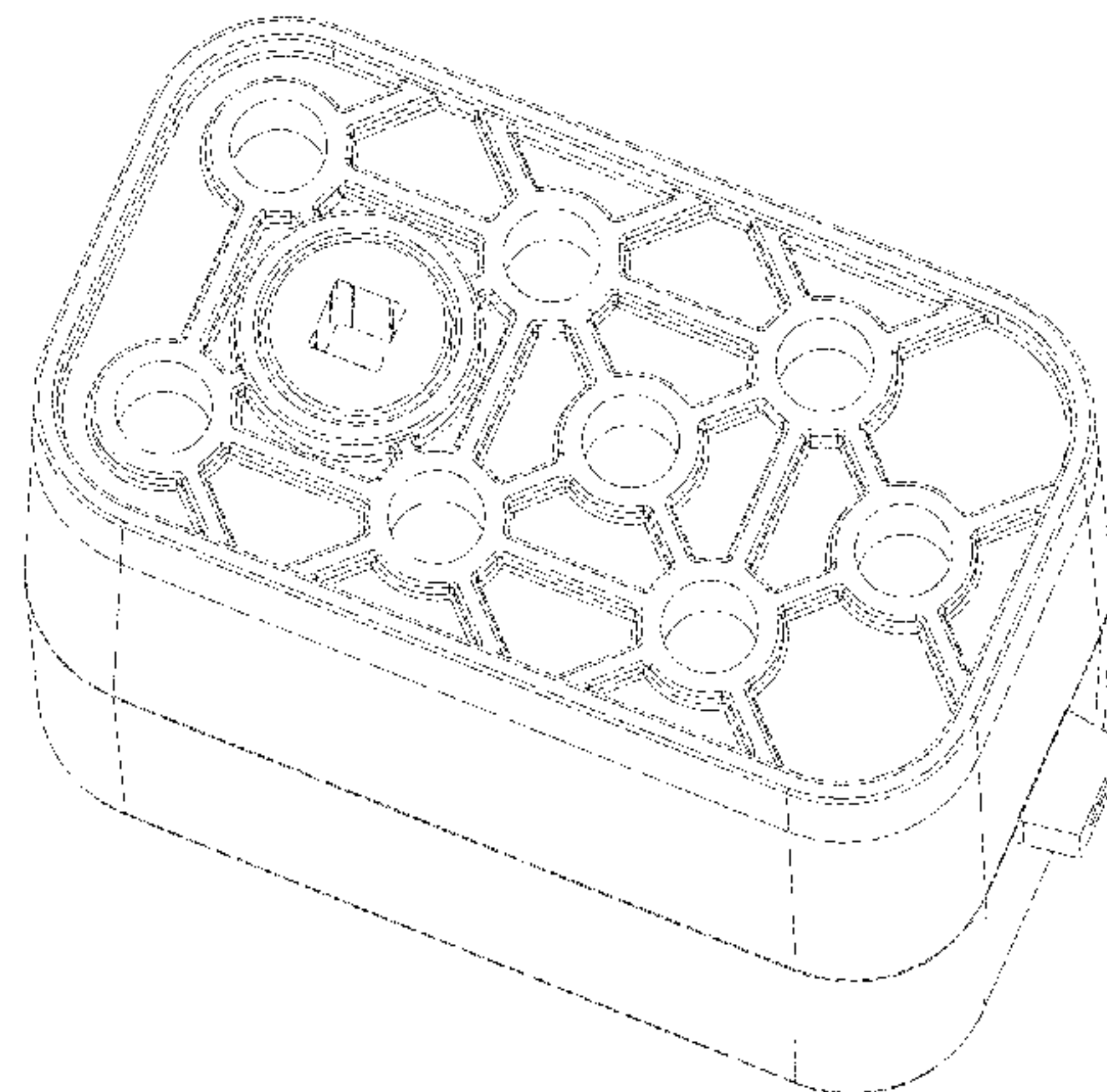


FIGURE 1

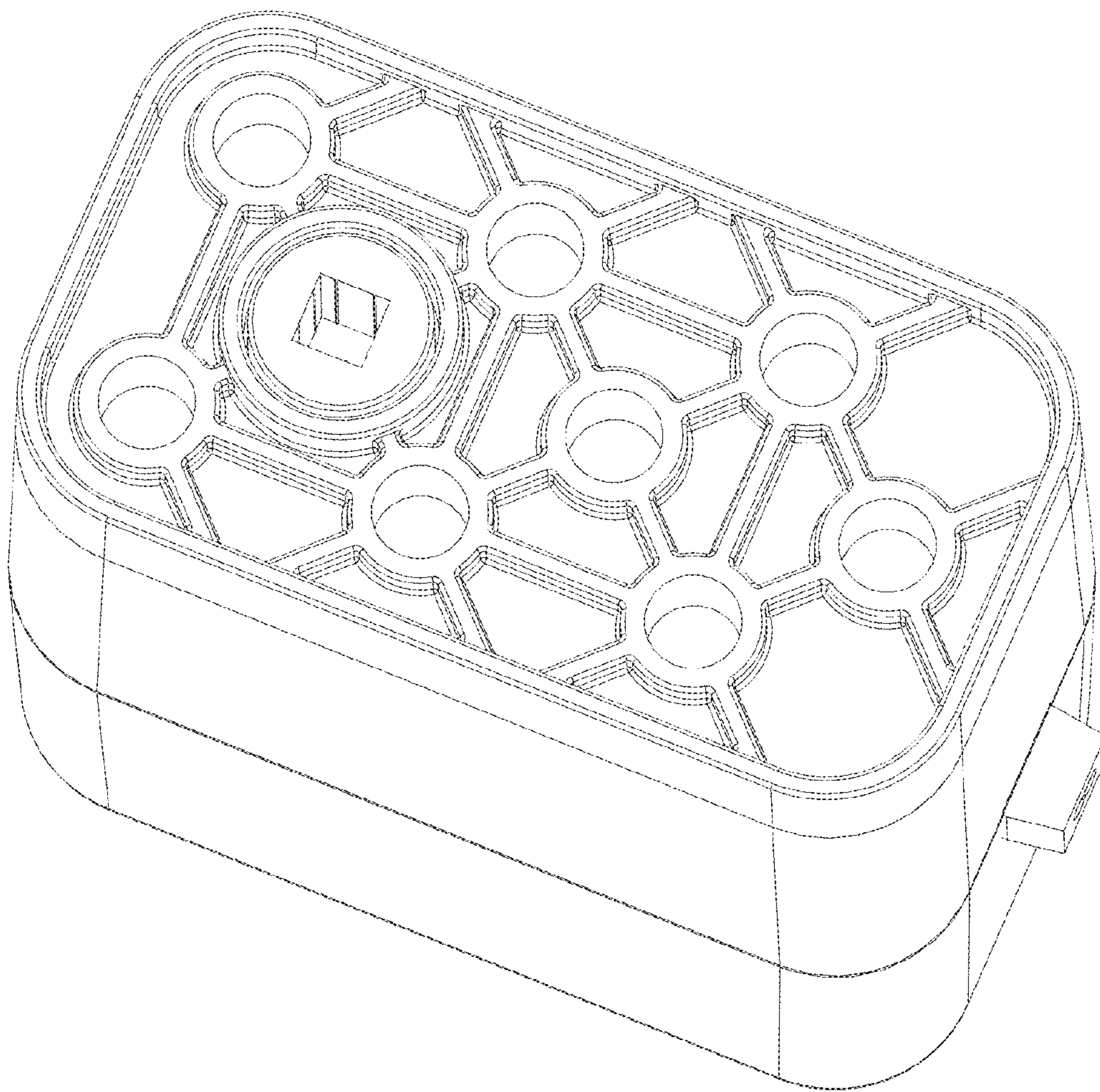


FIGURE 2

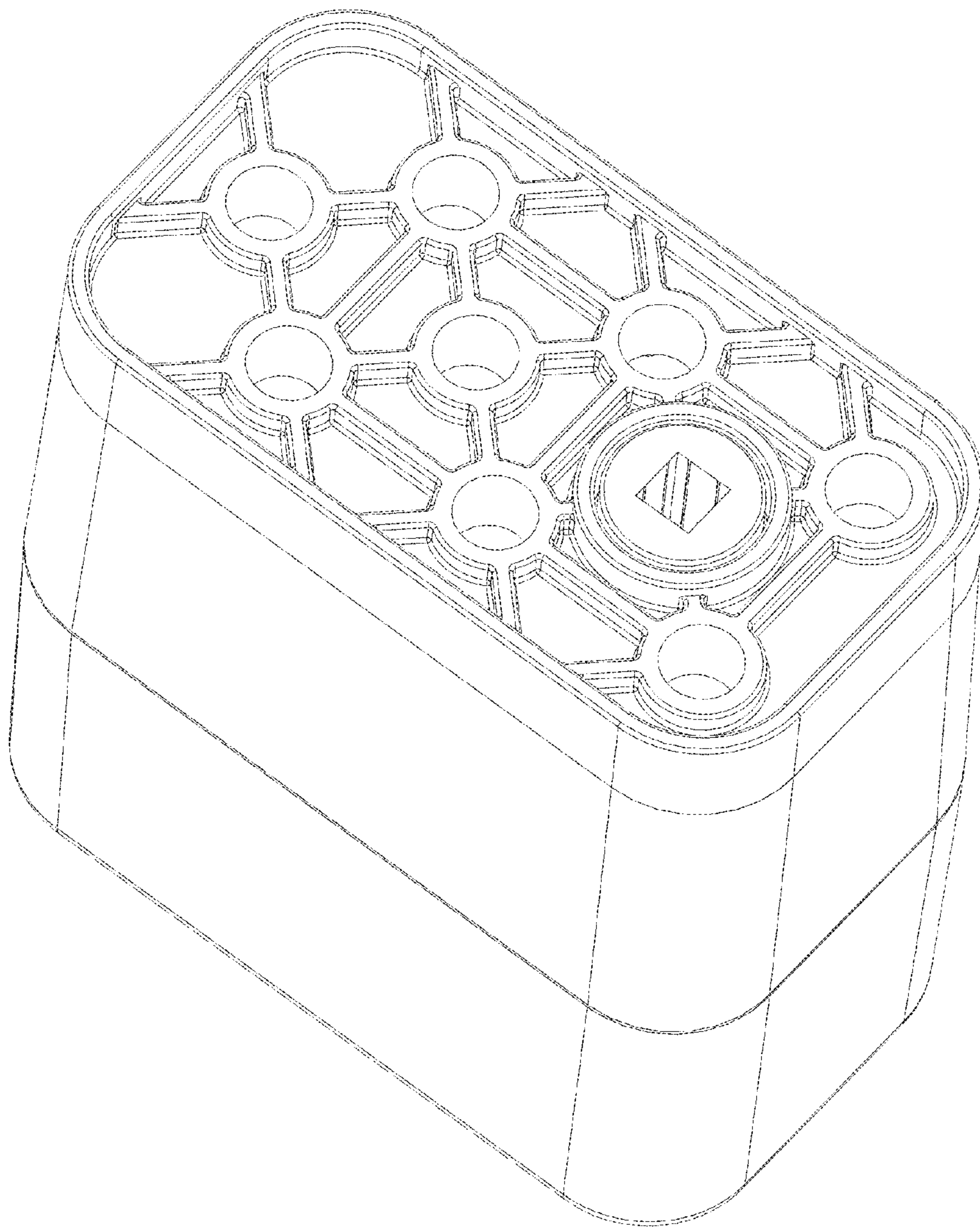


FIGURE 3

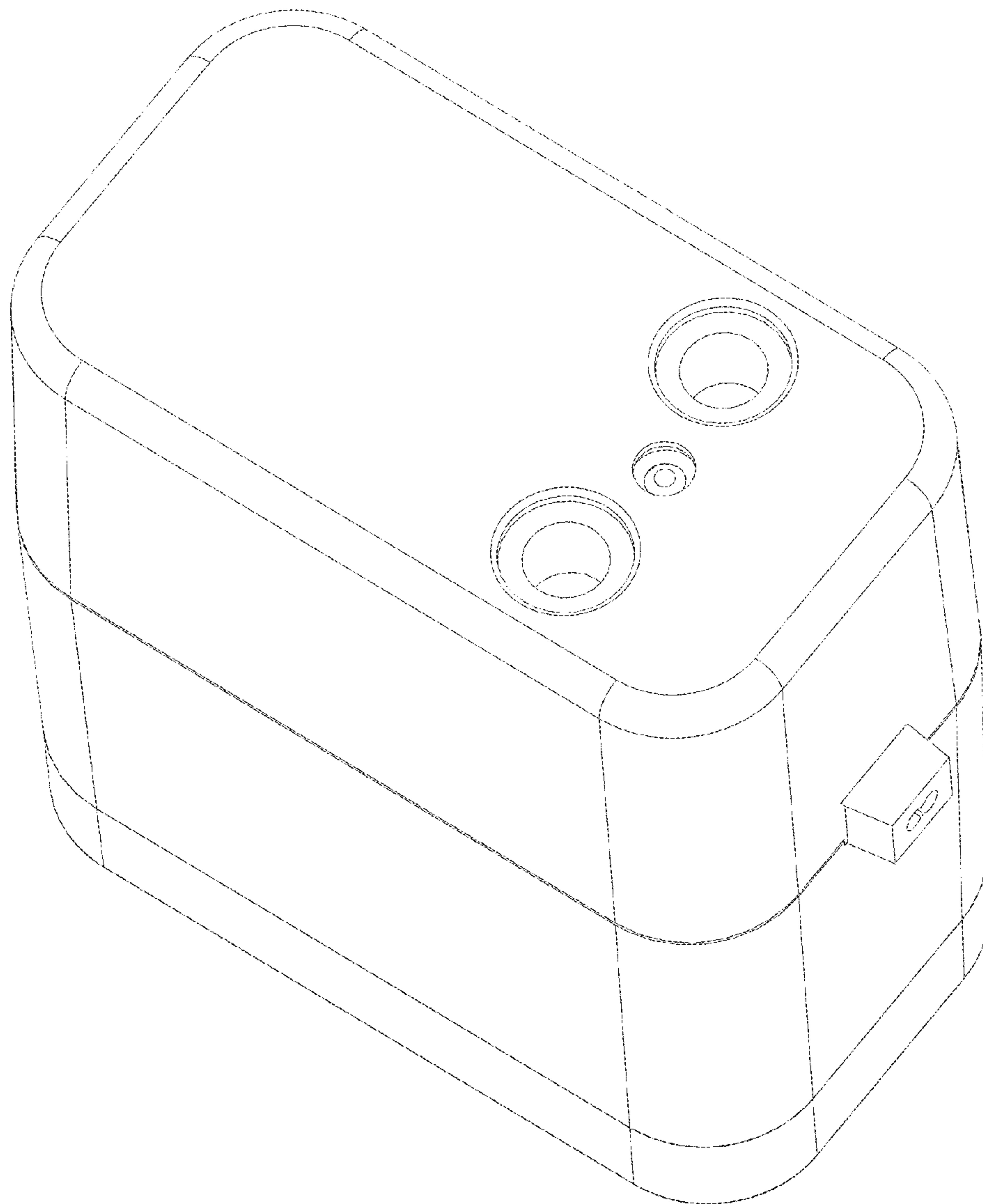


FIGURE 4

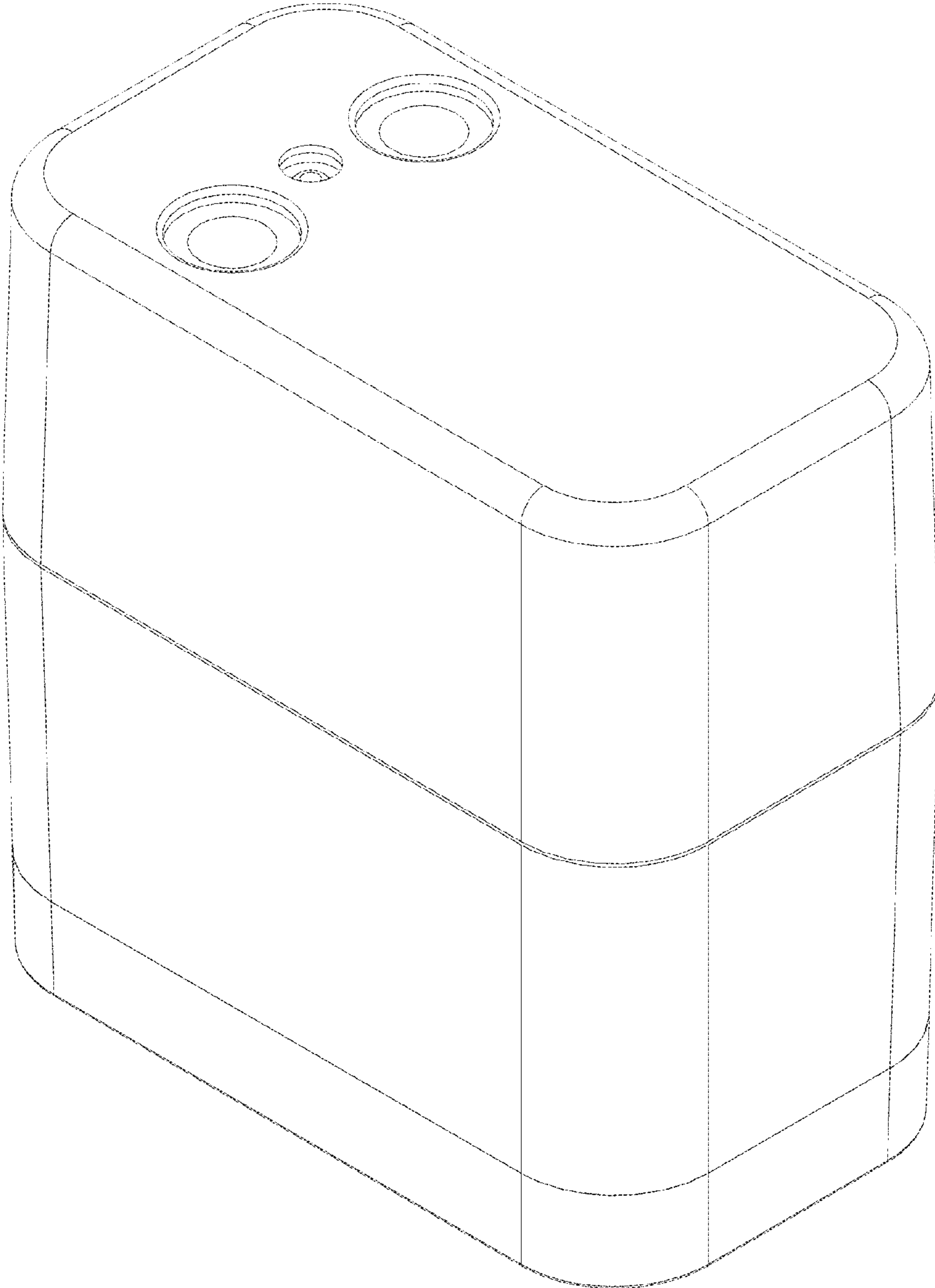


FIGURE 5

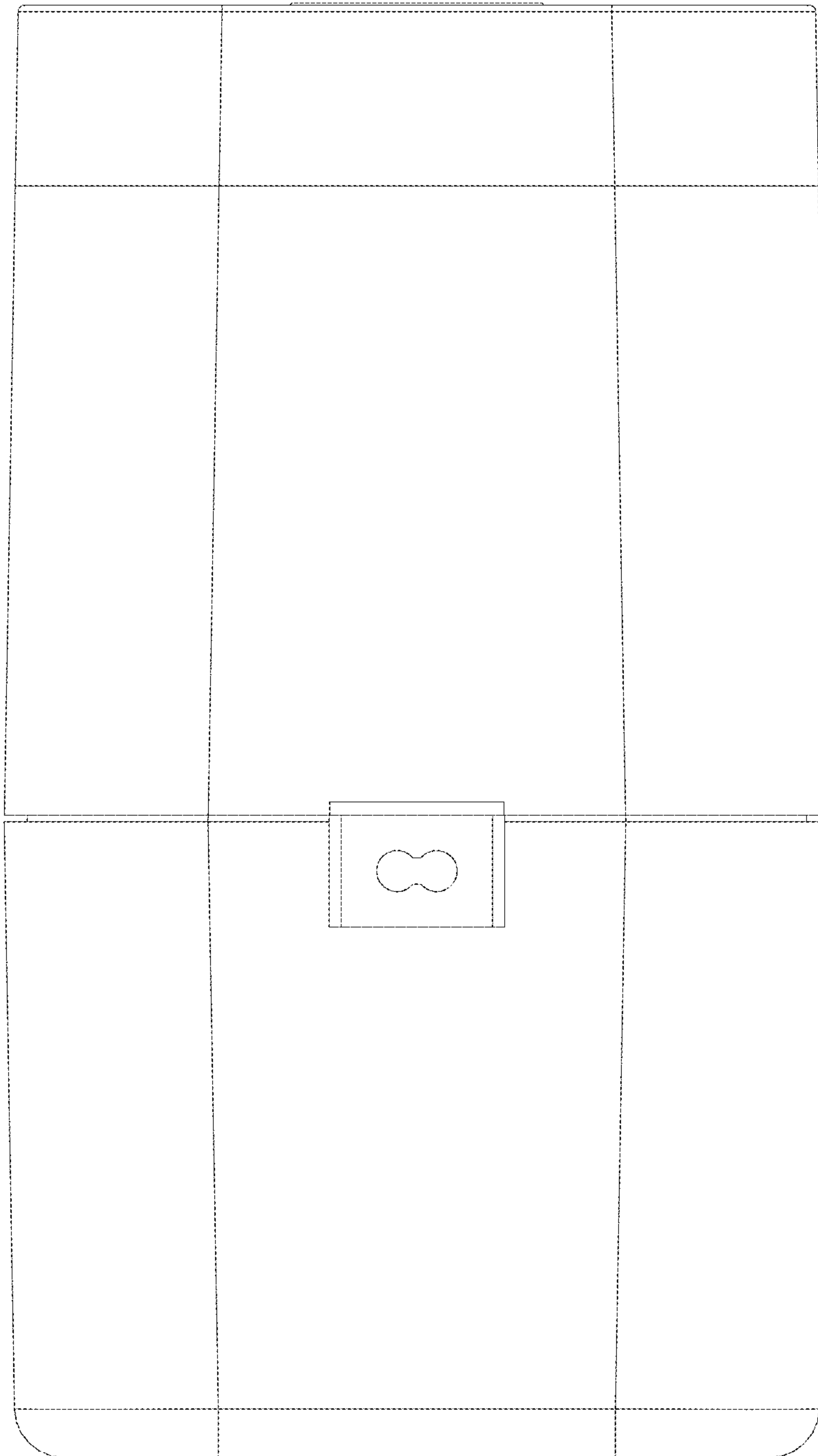


FIGURE 6

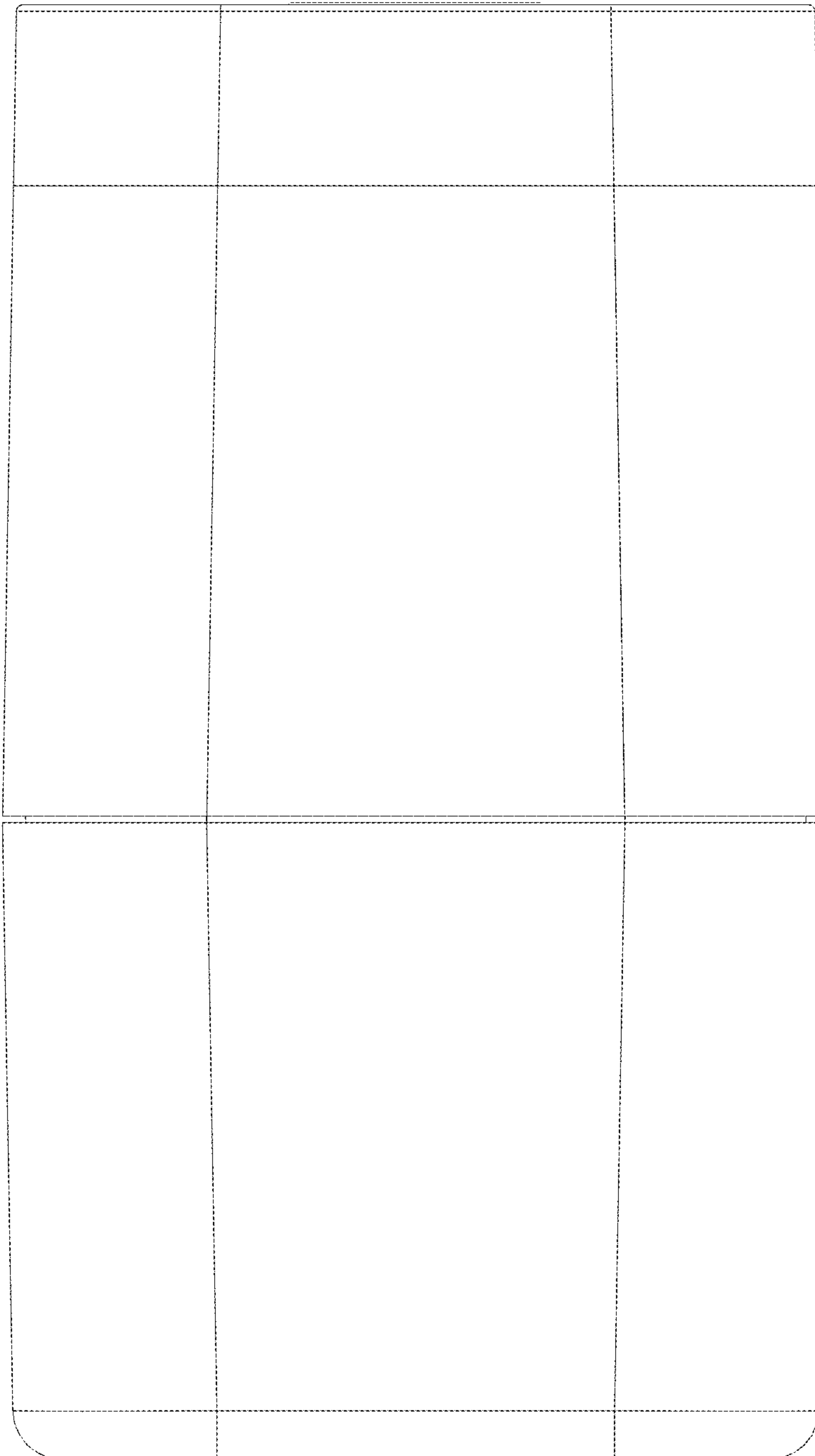


FIGURE 7

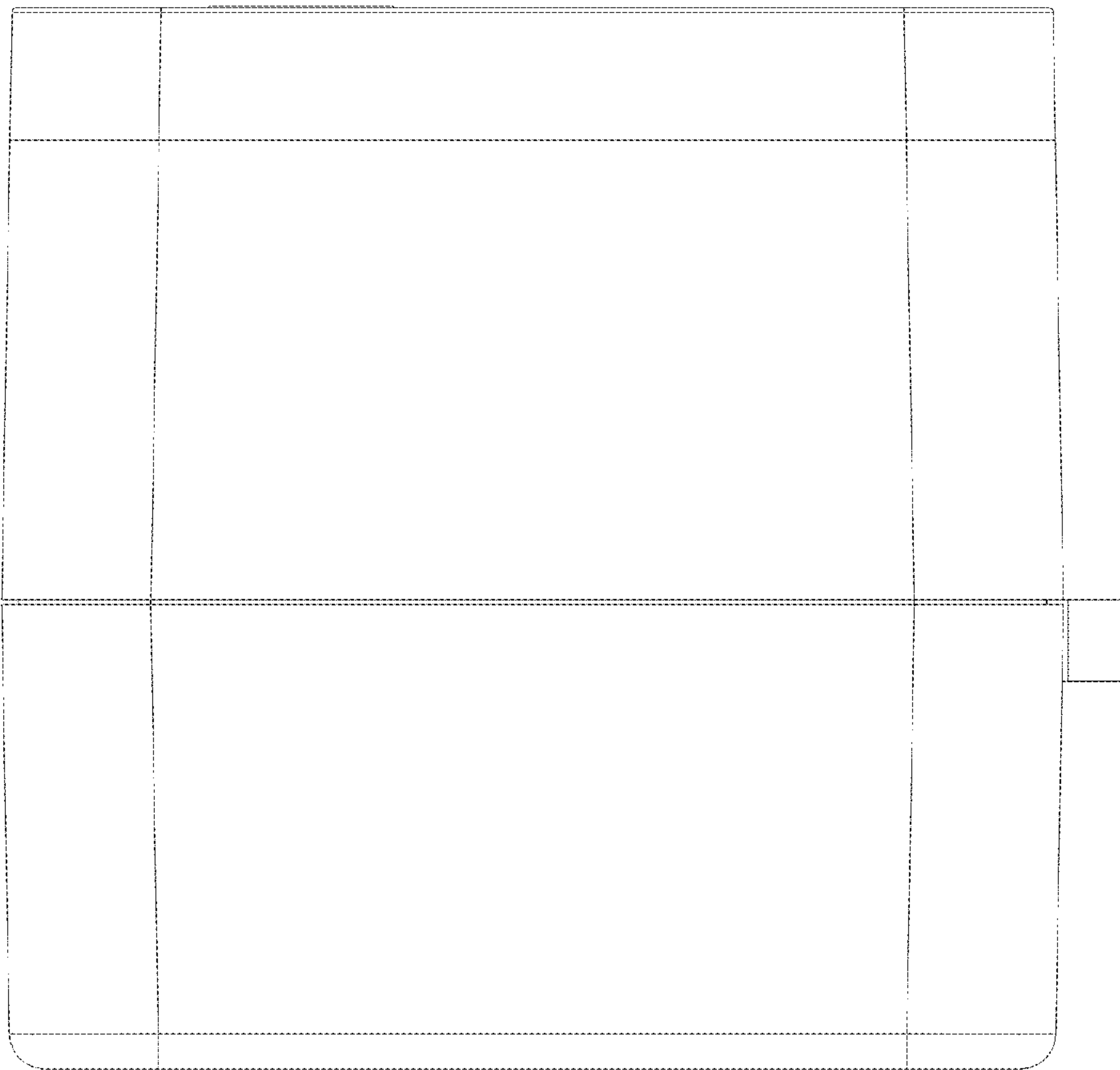


FIGURE 8

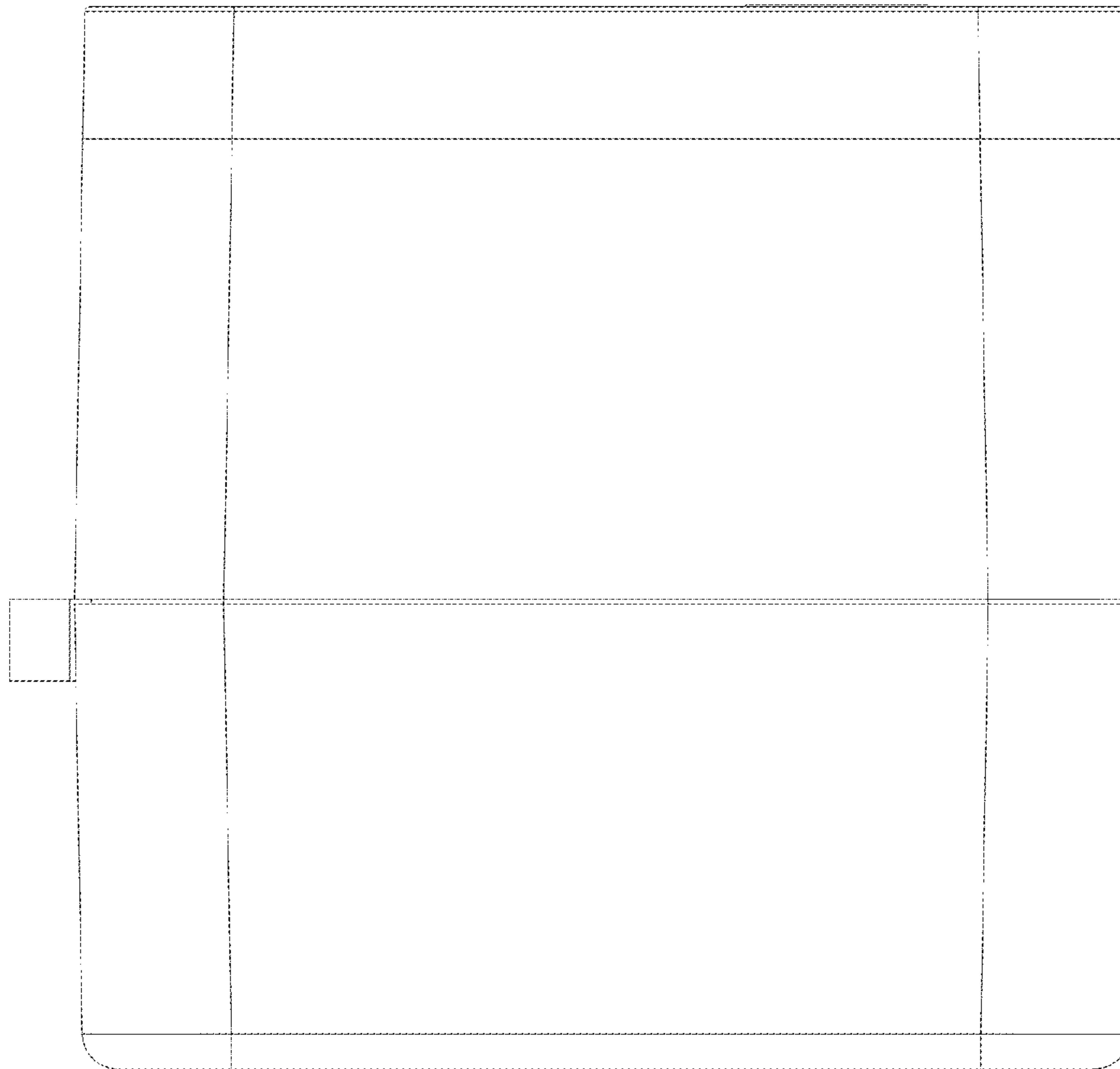


FIGURE 9

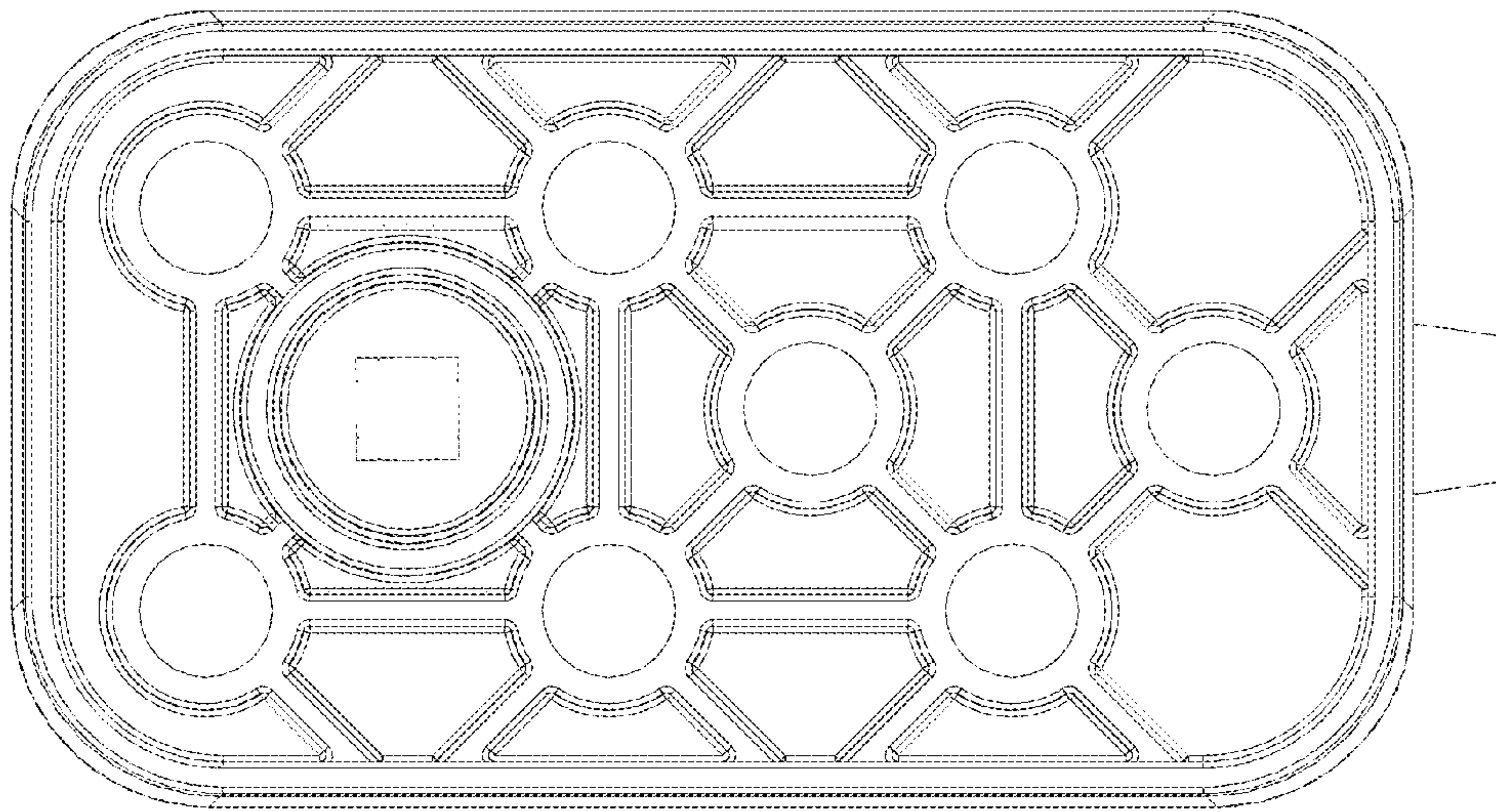


FIGURE 10

