



US00D725036S

(12) **United States Design Patent**  
**Alesi et al.**

(10) **Patent No.:** **US D725,036 S**  
(45) **Date of Patent:** **\*\* Mar. 24, 2015**

- (54) **SOCKET ADAPTER**
- (71) Applicant: **Custom Accessories Inc.**, Richmond, IL (US)
- (72) Inventors: **Vincent Anthony Alesi**, Richmond, IL (US); **Anthony Salvatore Ferenzi**, Richmond, IL (US)
- (73) Assignee: **Custom Accessories Inc.**, Richmond, IL (US)
- (\*\*) Term: **14 Years**
- (21) Appl. No.: **29/452,996**
- (22) Filed: **Apr. 24, 2013**
- (51) **LOC (10) Cl.** ..... **13-02**
- (52) **U.S. Cl.**  
USPC ..... **D13/110; D13/144**
- (58) **Field of Classification Search**  
USPC ..... D13/107, 110, 118, 119, 123, 124, 133, D13/134, 144, 146, 147, 154, 158, 159, 164, D13/177, 184, 199; 320/107, 108, 109, 110, 320/111, 112, 113, 114, 115; 439/300, 439/620.1, 638, 668, 675, 825; 363/146  
See application file for complete search history.

D554,059	S	*	10/2007	Hsu	.....	D13/110
D556,730	S	*	12/2007	Yokoyama	.....	D14/155
7,351,111	B2	*	4/2008	Cheng	.....	439/638
7,500,881	B1	*	3/2009	Lin	.....	439/668
D617,278	S	*	6/2010	Tang et al.	.....	D13/144
D632,652	S	*	2/2011	Wikel et al.	.....	D13/144
D687,378	S	*	8/2013	Iacovelli et al.	.....	D13/110
D700,573	S	*	3/2014	Esses	.....	D13/108
2002/0119708	A1	*	8/2002	Eisenbraun	.....	439/668

\* cited by examiner

*Primary Examiner* — Derrick Holland

*Assistant Examiner* — Jennifer O King

(74) *Attorney, Agent, or Firm* — Leydig, Voit & Mayer, Ltd.

(57) **CLAIM**

The ornamental design for a socket adapter, as shown and described.

**DESCRIPTION**

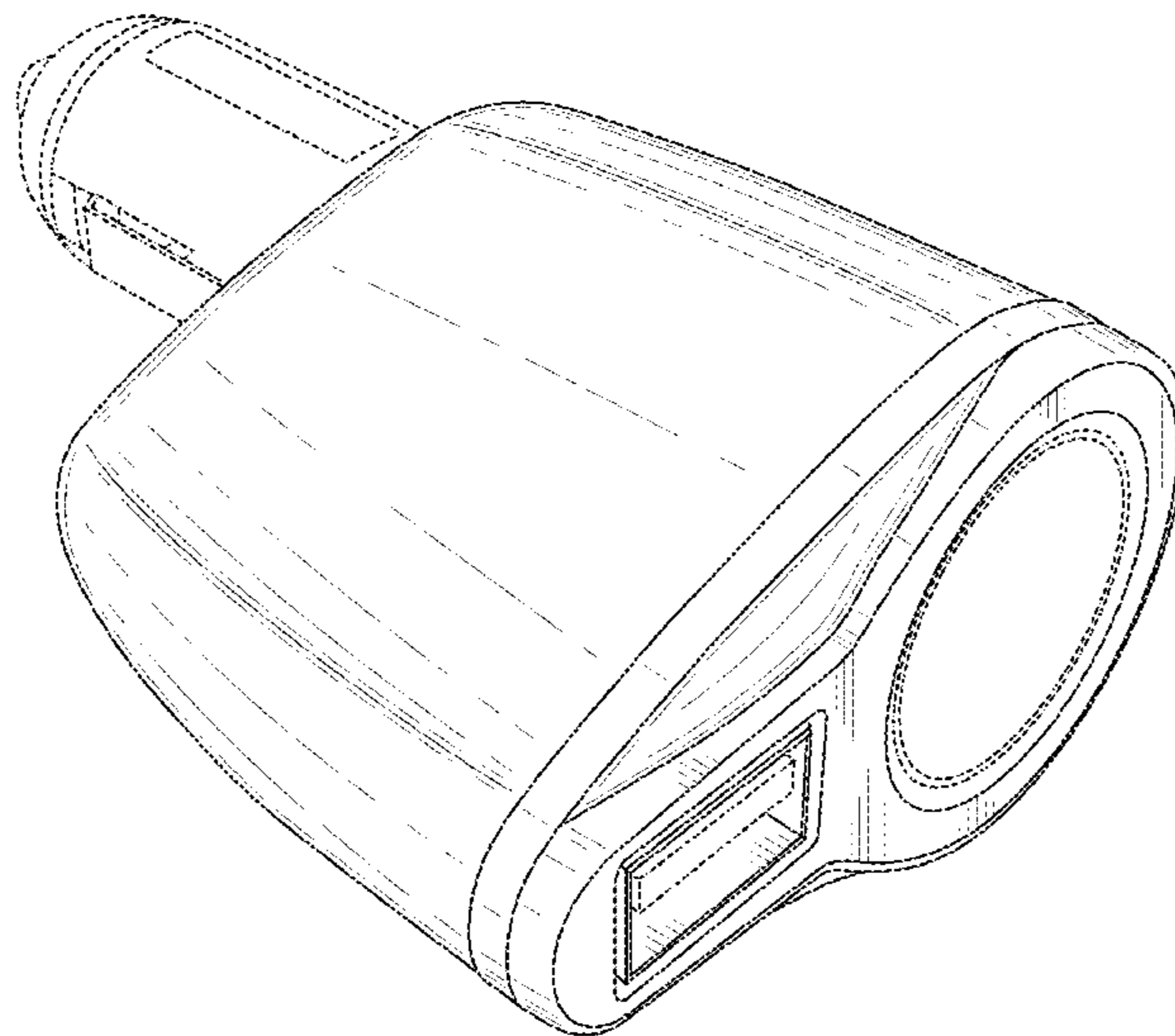
FIG. 1 is a perspective view taken from the top, front, and left side of a socket adapter showing our new design;  
 FIG. 2 is a front elevational view of the socket adapter of FIG. 1;  
 FIG. 3 is a rear elevational view of the socket adapter of FIG. 1;  
 FIG. 4 is a left side view of the socket adapter of FIG. 1;  
 FIG. 5 is a right side view of the socket adapter of FIG. 1;  
 FIG. 6 is a top view of the socket adapter of FIG. 1; and,  
 FIG. 7 is a bottom view of the socket adapter of FIG. 1.  
 The broken lines shown represent unclaimed subject matter and form no part of the claimed design.

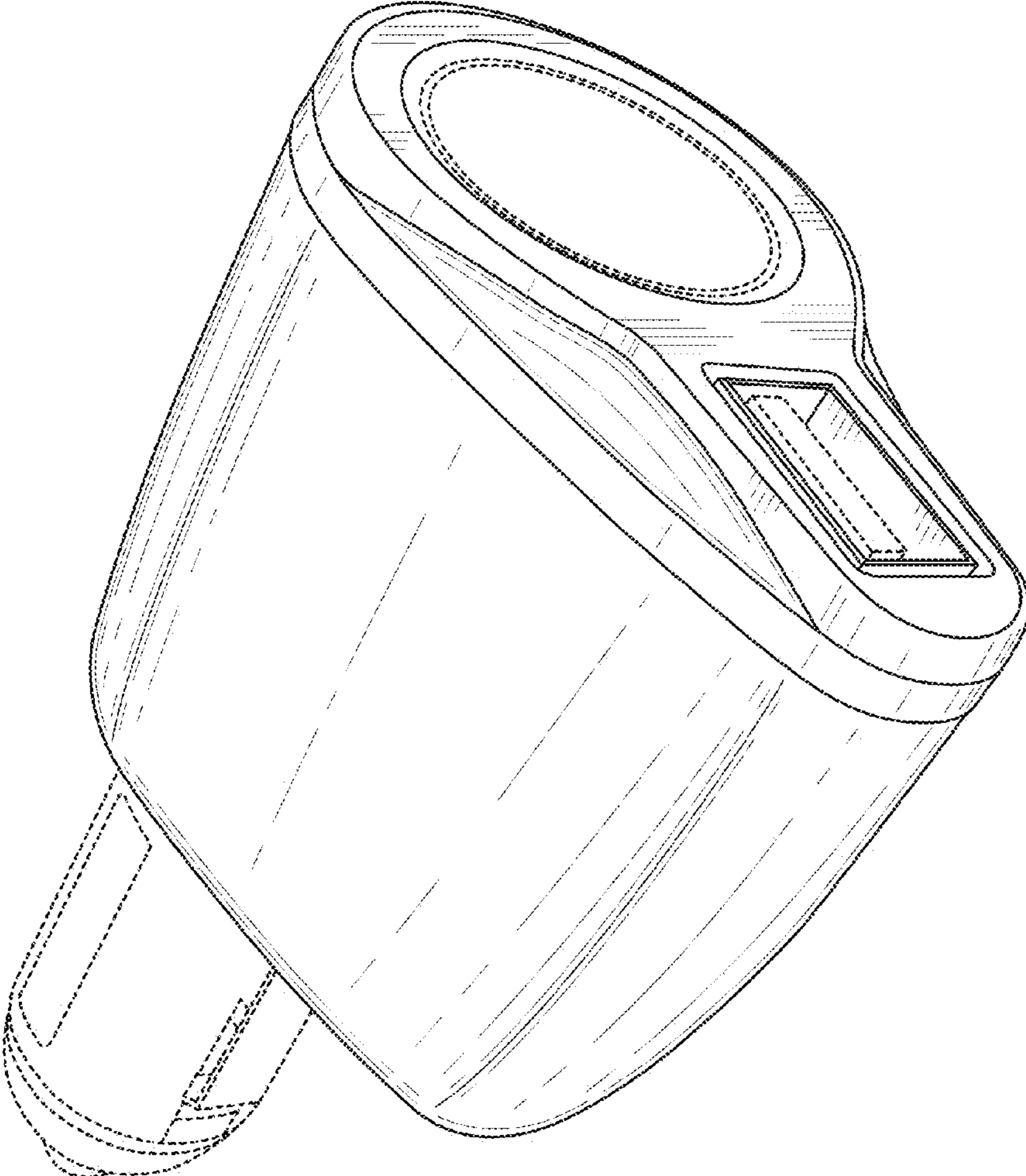
**1 Claim, 6 Drawing Sheets**

(56) **References Cited**

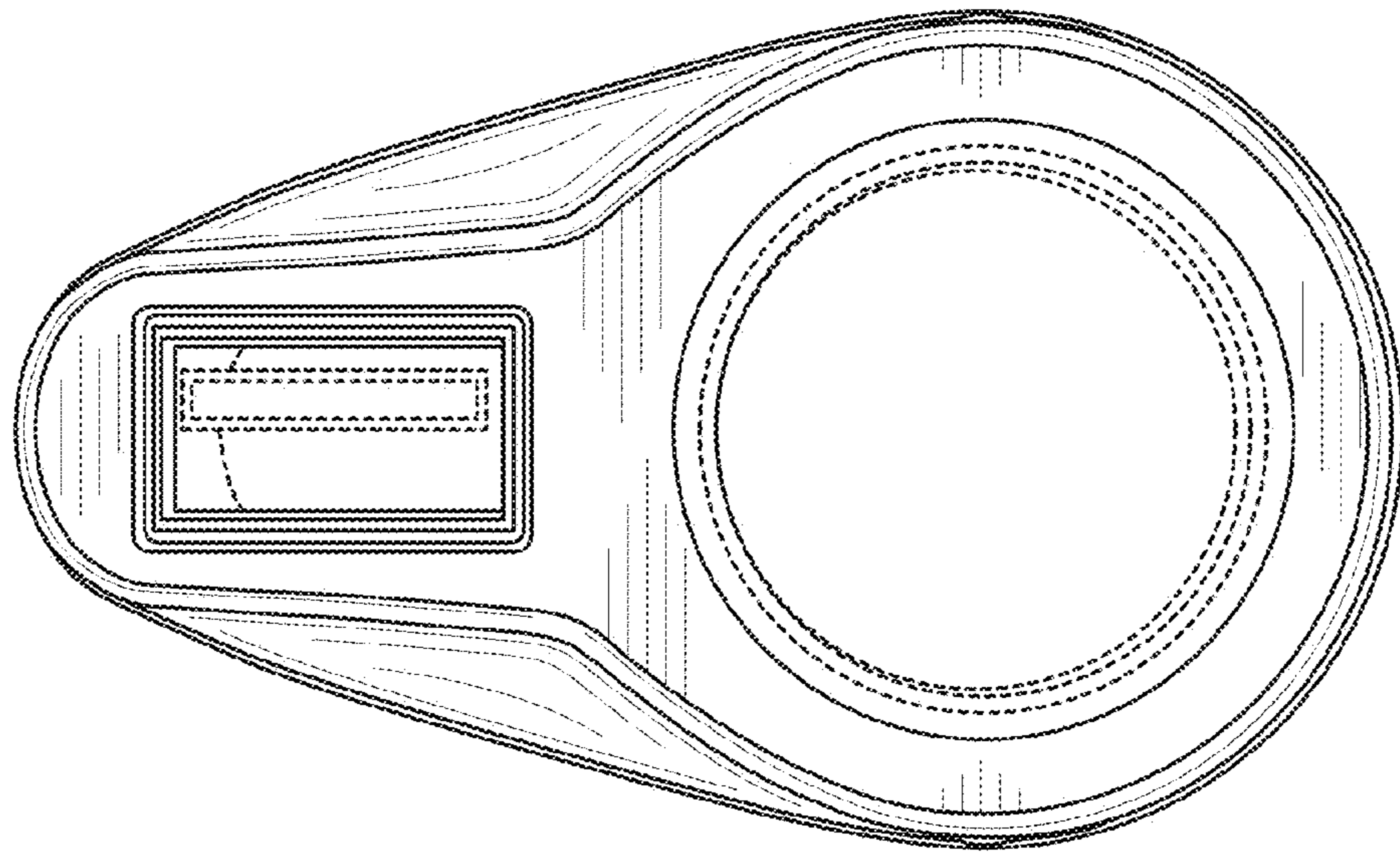
U.S. PATENT DOCUMENTS

D330,700	S	*	11/1992	Wharton	.....	D13/158
D526,962	S	*	8/2006	Krieger et al.	.....	D13/144
D550,616	S	*	9/2007	Dayan	.....	D13/110
D551,166	S	*	9/2007	Dayan	.....	D13/110

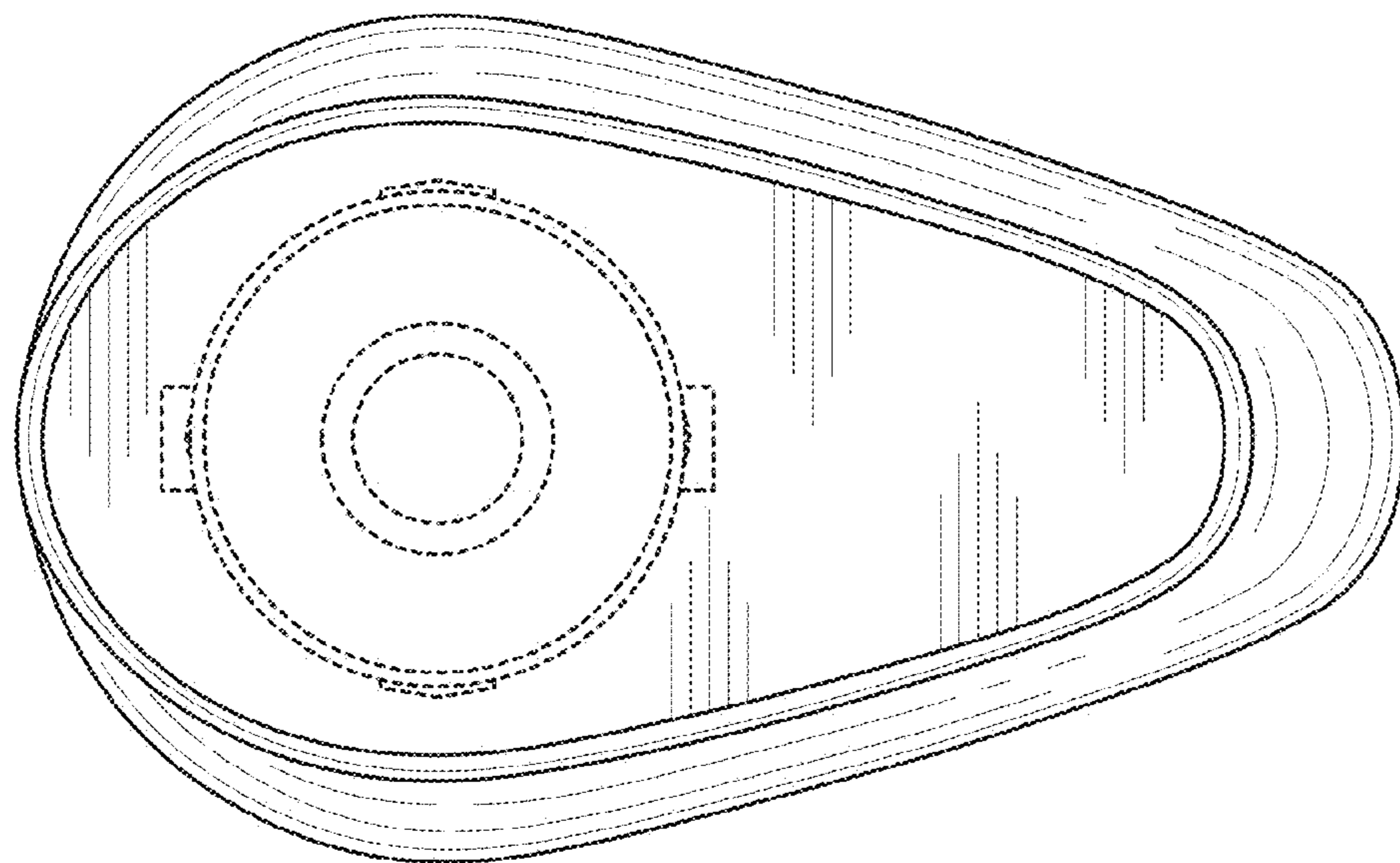




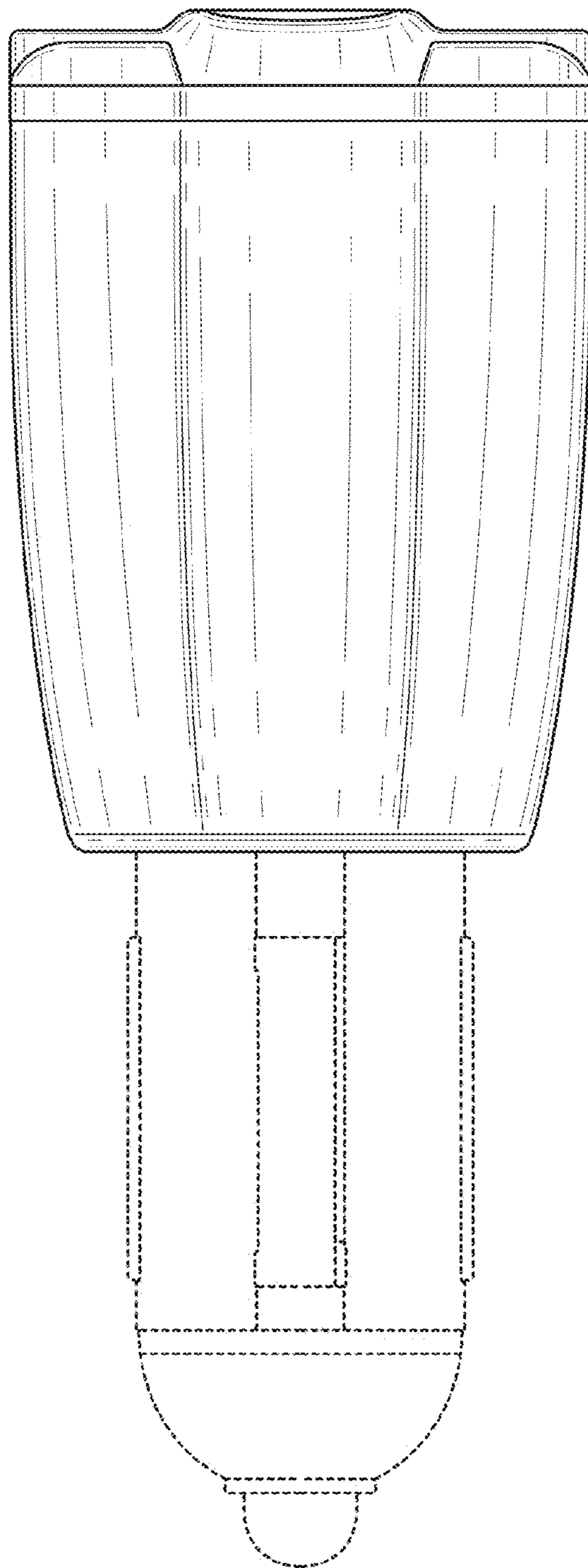
**FIG. 1**



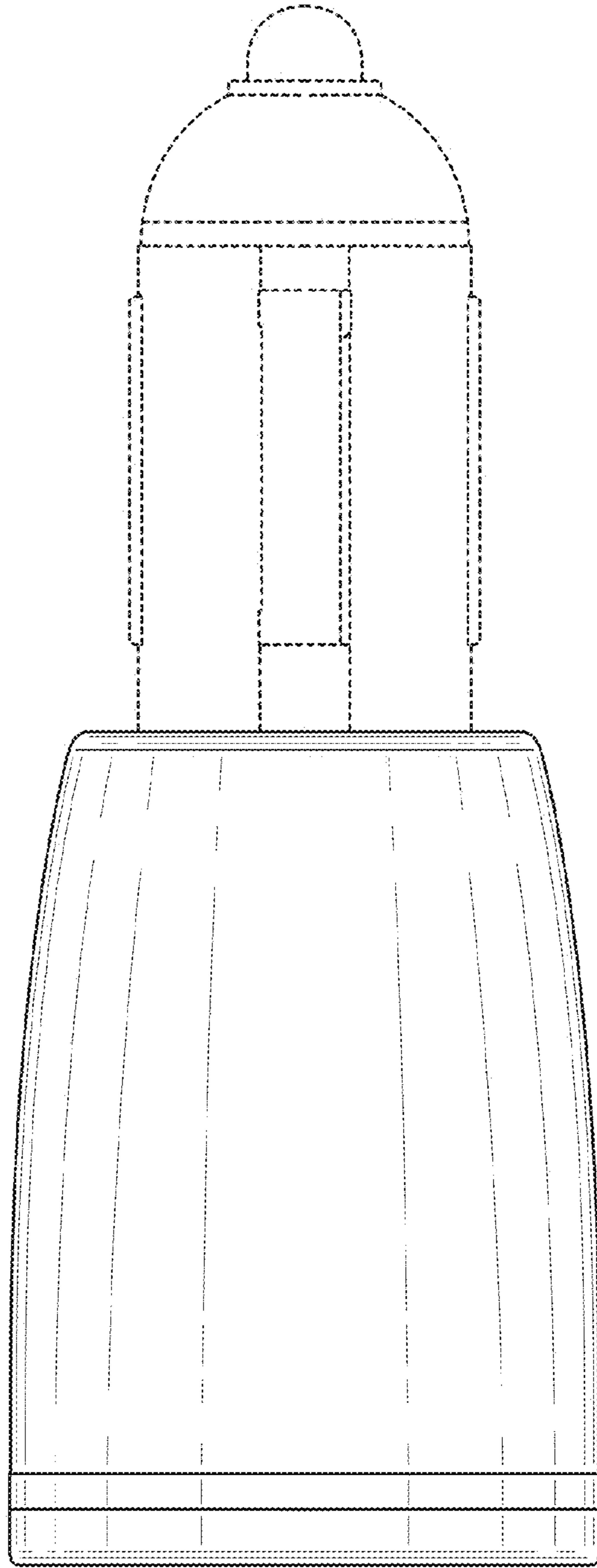
**FIG. 2**



**FIG. 3**



**FIG. 4**



**FIG. 5**

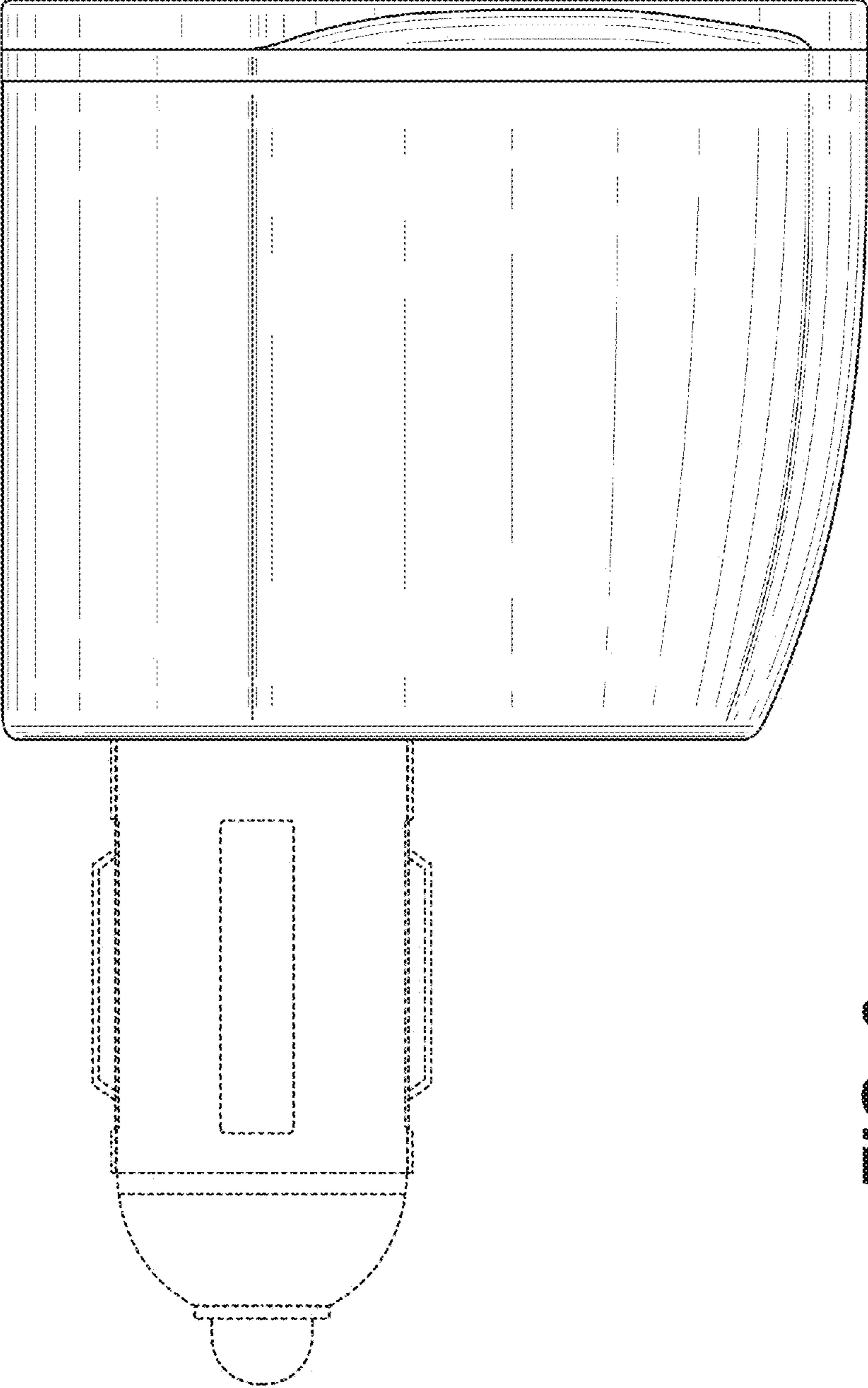


FIG. 6

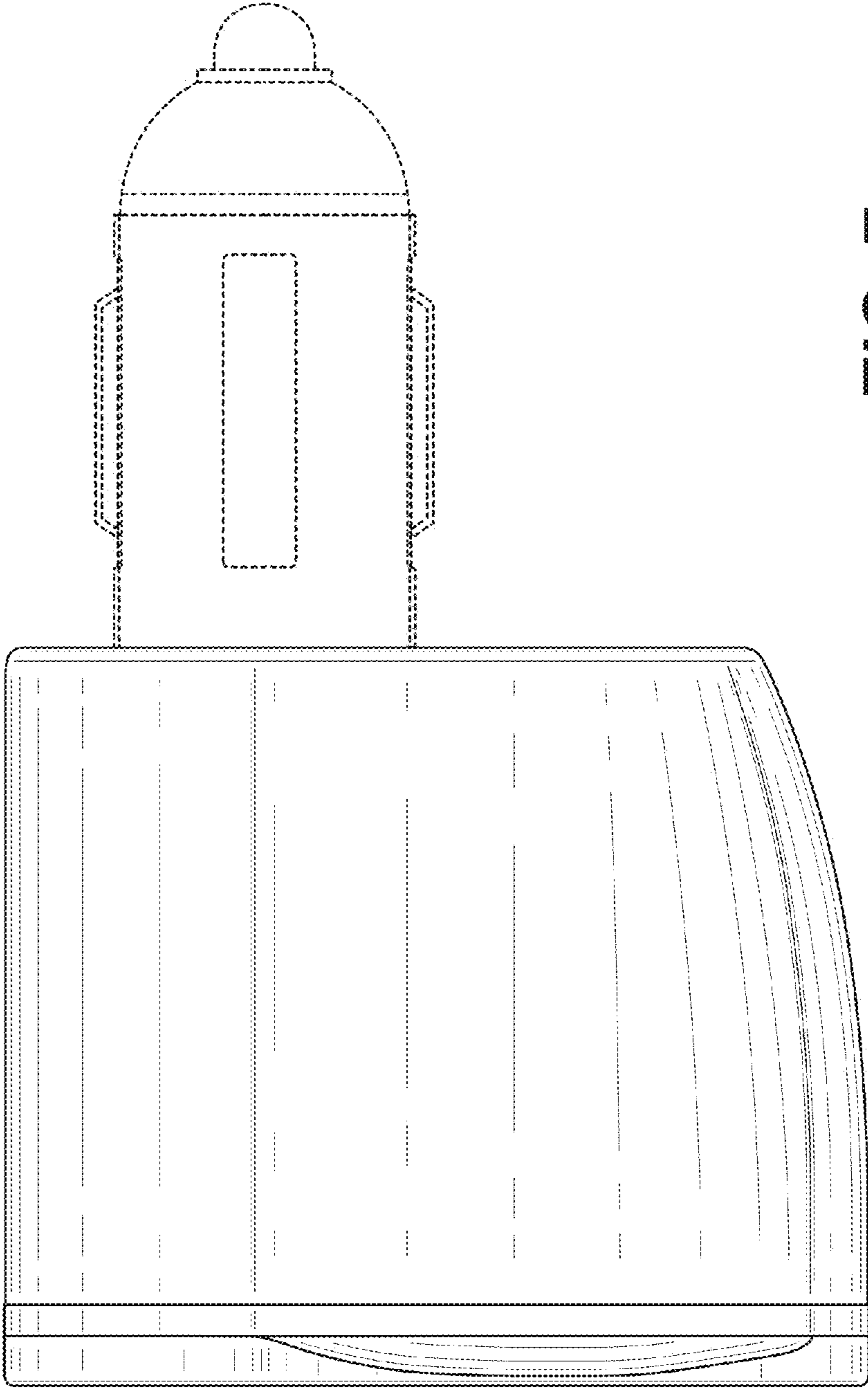


FIG. 7