



US00D725034S

(12) **United States Design Patent**  
**Chen**

(10) **Patent No.:** **US D725,034 S**  
(45) **Date of Patent:** **\*\* Mar. 24, 2015**

(54) **WIRELESS CHARGER**  
(71) Applicant: **Hon Hai Precision Industry Co., Ltd.**,  
New Taipei (TW)  
(72) Inventor: **Cheng-Pang Chen**, New Taipei (TW)  
(73) Assignee: **Hon Hai Precision Industry Co., Ltd.**,  
New Taipei (TW)  
(\*\*) Term: **14 Years**

D659,093 S *	5/2012	Schmid et al. ....	D13/108
D663,684 S *	7/2012	Yang .....	D13/108
D663,685 S *	7/2012	Yang .....	D13/108
D673,110 S *	12/2012	Sasada et al. ....	D13/108
D673,908 S *	1/2013	Koch .....	D13/108
D675,563 S *	2/2013	Hoehn et al. ....	D13/110
D680,063 S *	4/2013	Sasada .....	D13/103
D680,069 S *	4/2013	Symons .....	D13/108
D685,732 S *	7/2013	Miller et al. ....	D13/108
D704,629 S *	5/2014	Liu .....	D13/108
D704,634 S *	5/2014	Eidelman et al. ....	D13/108
D704,635 S *	5/2014	Fourquet et al. ....	D13/108

\* cited by examiner

(21) Appl. No.: **29/495,128**  
(22) Filed: **Jun. 27, 2014**

*Primary Examiner* — Rosemary K Tarcza  
(74) *Attorney, Agent, or Firm* — Ming Chieh Chang; Wei Te Chung

(30) **Foreign Application Priority Data**  
Jan. 3, 2014 (TW) ..... 103300019  
(51) **LOC (10) Cl.** ..... **13-02**  
(52) **U.S. Cl.**  
USPC ..... **D13/108**  
(58) **Field of Classification Search**  
USPC ..... D13/102–110, 118–119, 184, 199;  
D14/356, 432; 320/103, 111–115,  
320/135–146  
See application file for complete search history.

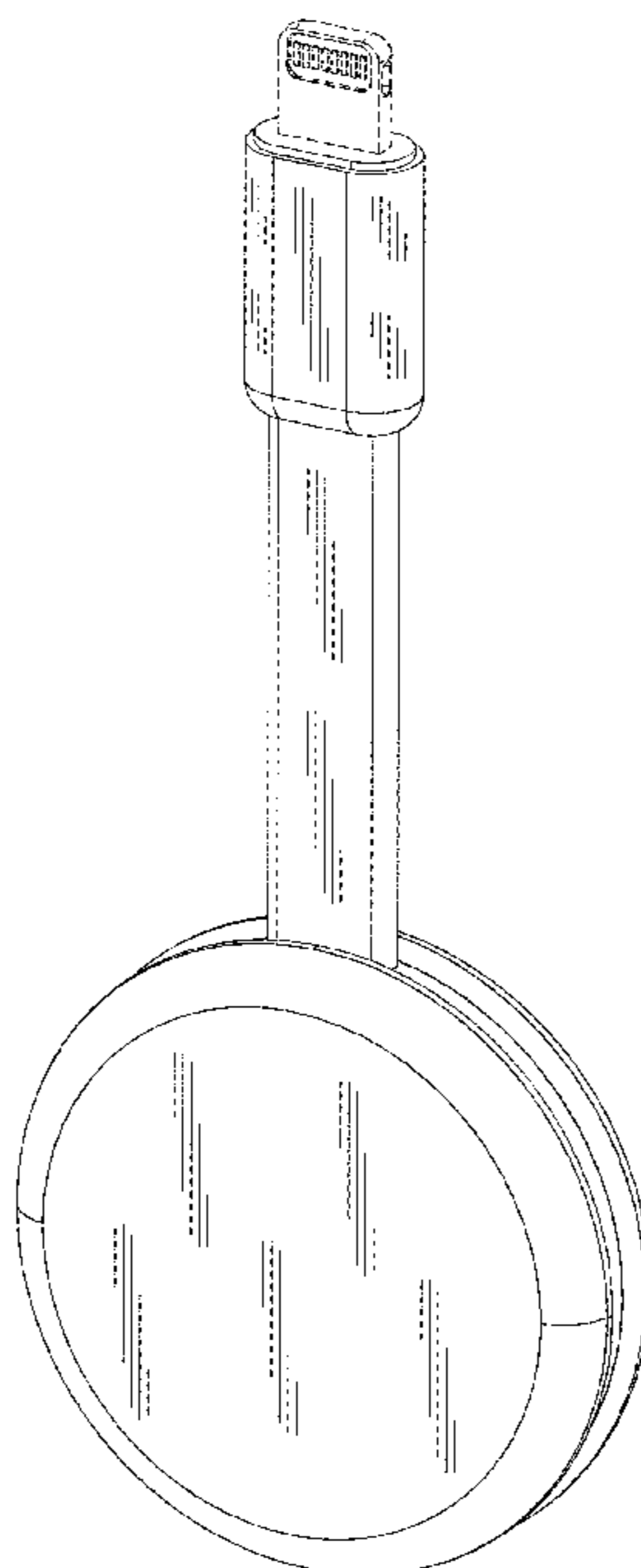
(57) **CLAIM**  
The ornamental design for a wireless charger, as shown and described.

(56) **References Cited**  
U.S. PATENT DOCUMENTS  
D618,237 S \* 6/2010 Wang ..... D14/356  
D624,012 S \* 9/2010 de Medeiros et al. .... D13/103  
D628,153 S \* 11/2010 Fujii et al. .... D13/108  
D656,096 S \* 3/2012 Sasada et al. .... D13/108

**DESCRIPTION**

FIG. 1 is a front, top, and right side perspective view of a wireless charger showing my new design;  
FIG. 2 is a front elevational view thereof;  
FIG. 3 is a rear elevational view thereof;  
FIG. 4 is a left side elevational view thereof;  
FIG. 5 is a right side elevational view thereof;  
FIG. 6 is a top plan view thereof; and,  
FIG. 7 is a bottom plan view thereof.  
The broken lines shown in the drawings are included for the purpose of illustrating environmental structure and form no part of the claimed design.

**1 Claim, 7 Drawing Sheets**



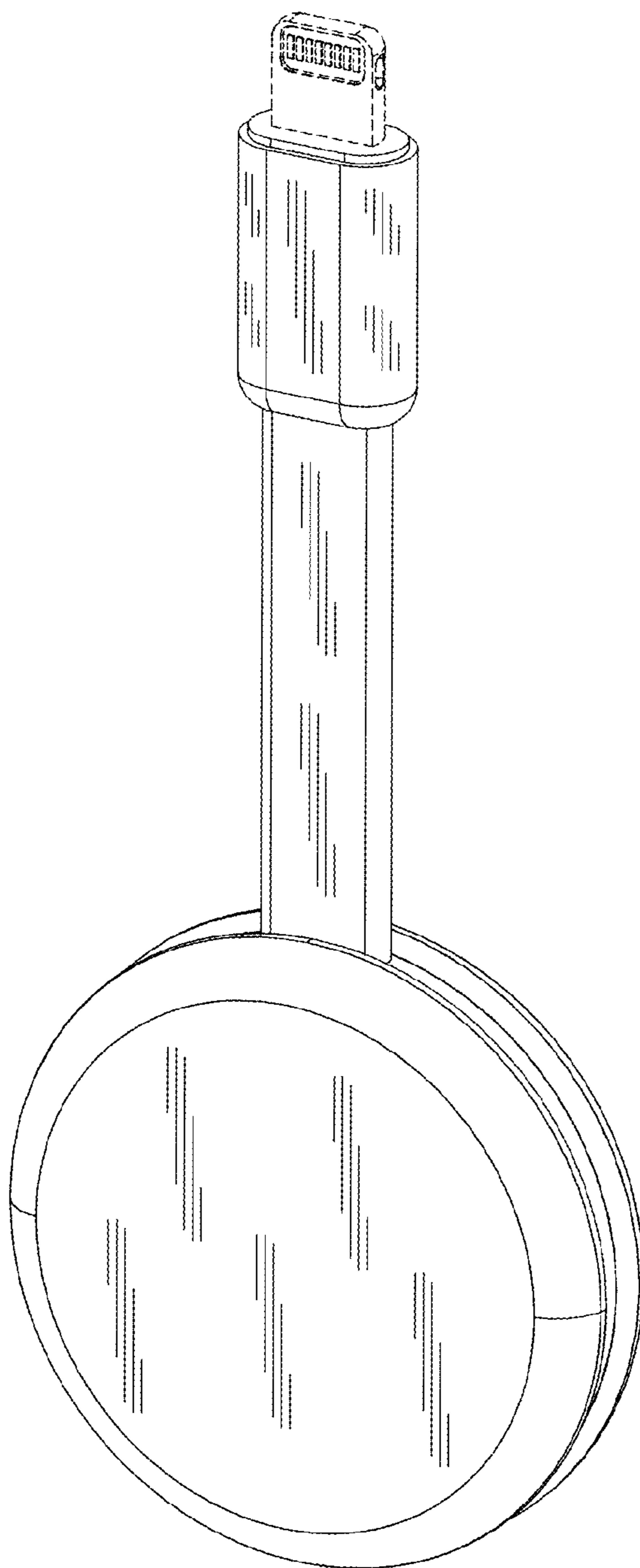


FIG. 1

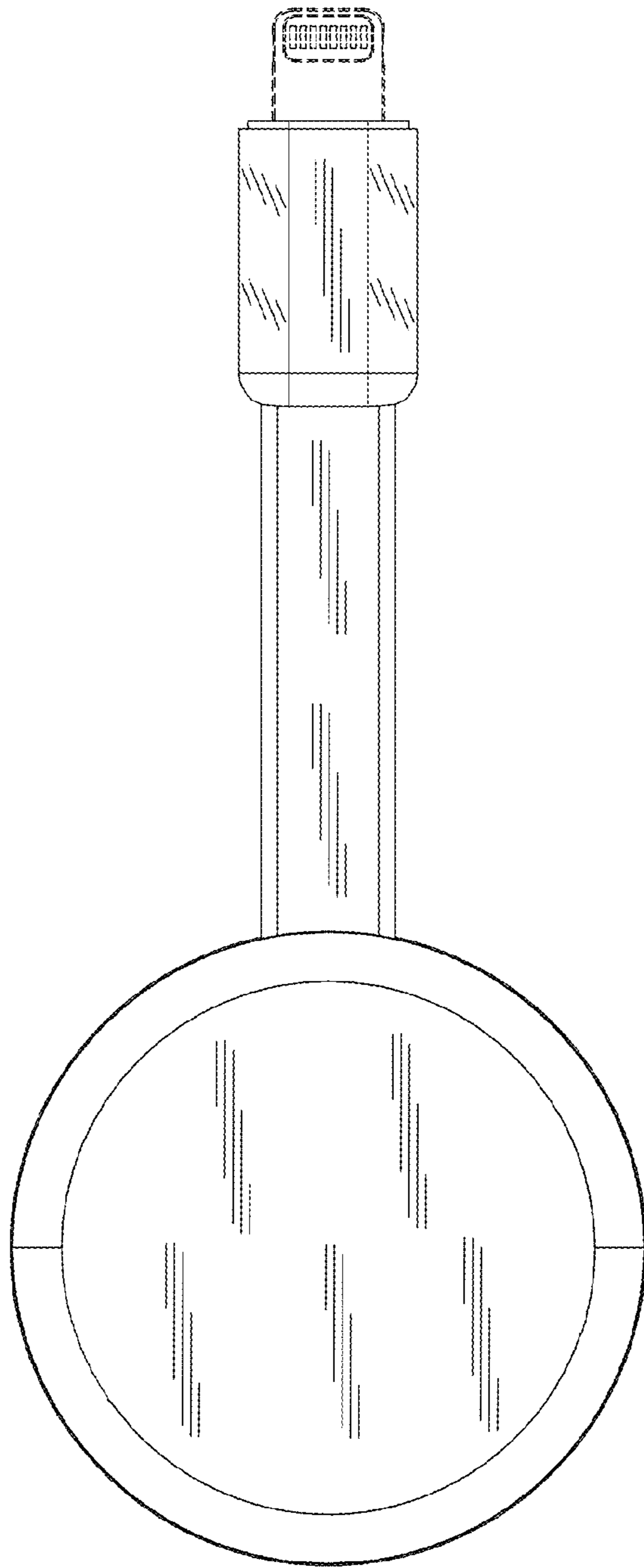


FIG. 2

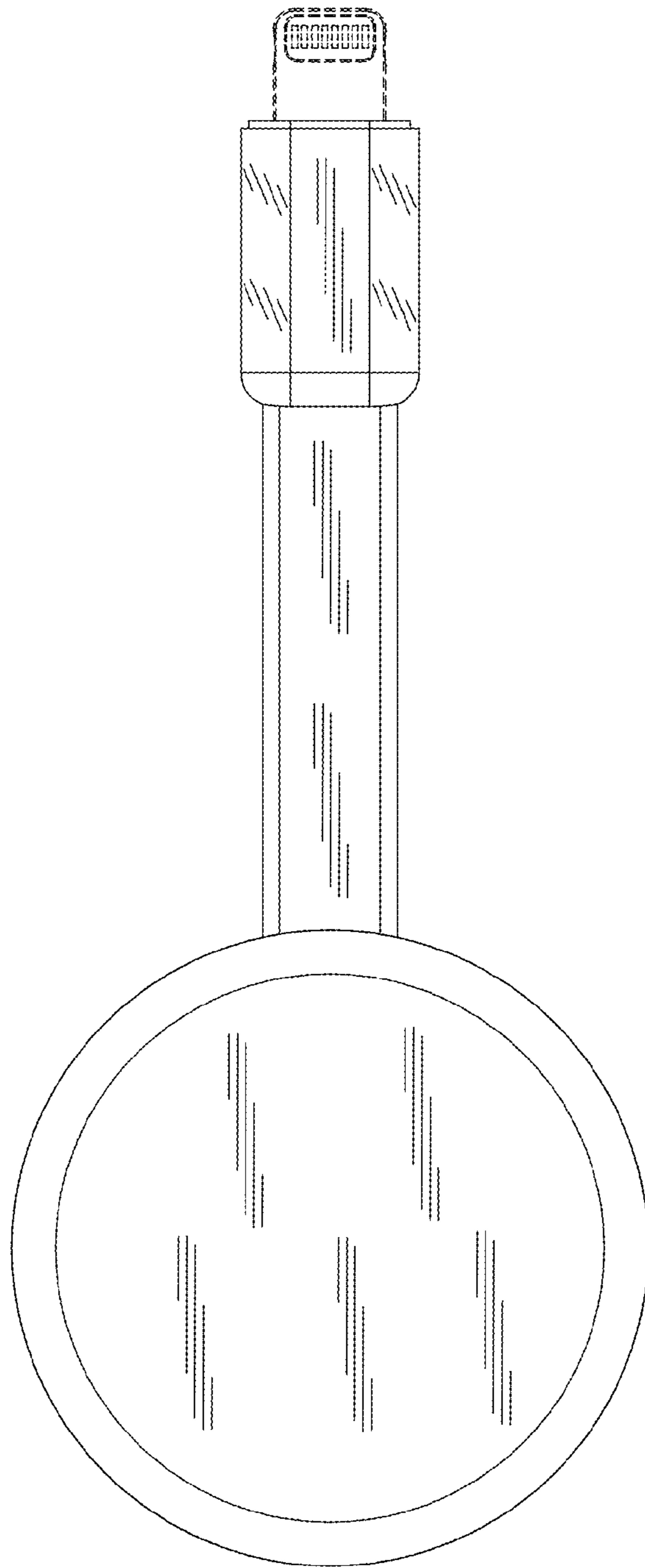


FIG. 3

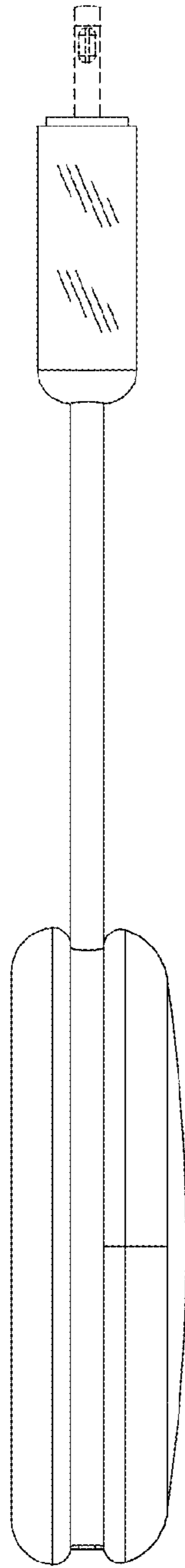


FIG. 4

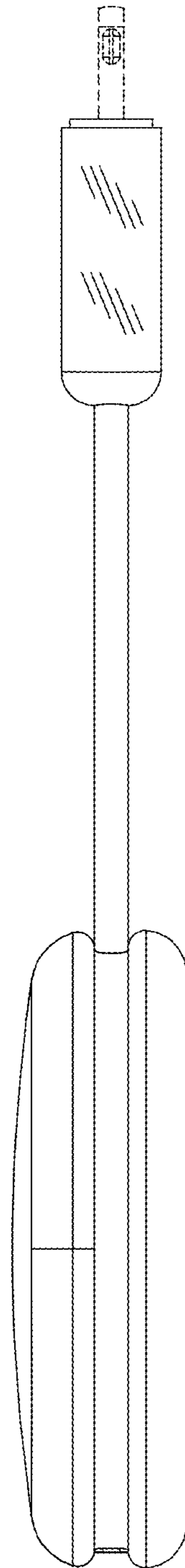


FIG. 5

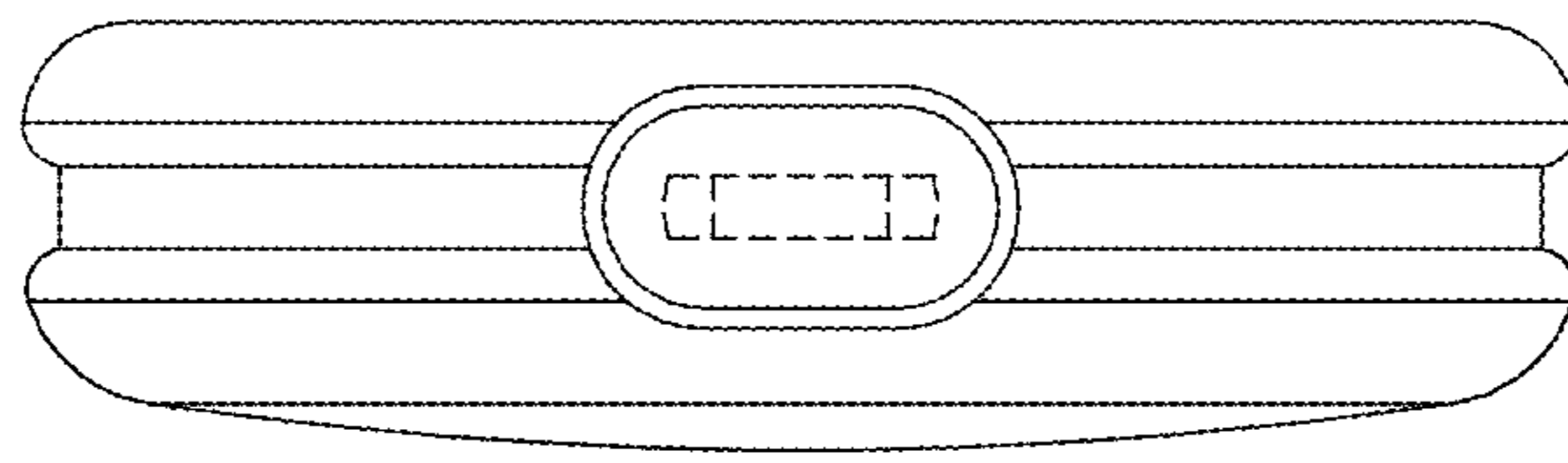


FIG. 6

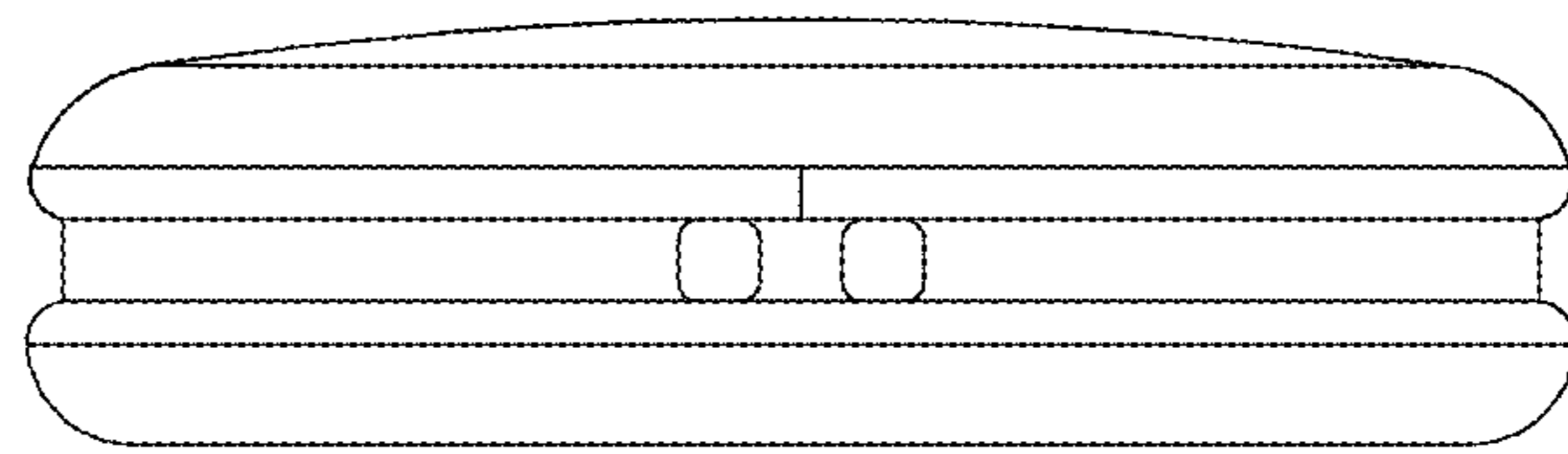


FIG. 7