

US00D725032S

(12) **United States Design Patent**
Demirjian et al.

(10) **Patent No.:** **US D725,032 S**
(45) **Date of Patent:** **** Mar. 24, 2015**

(54) **BATTERY MAINTAINER**
(71) Applicant: **Johnson Controls Technology Company**, Holland, MI (US)
(72) Inventors: **Gerald J. Demirjian**, Auburn, NH (US);
Robert F. Unger, Rye, NH (US);
Timothy C. Repp, Pleasant Valley, CT (US)

(73) Assignee: **Johnson Controls Technology Company**, Holland, MI (US)

(**) Term: **14 Years**

(21) Appl. No.: **29/435,843**

(22) Filed: **Oct. 29, 2012**

(51) **LOC (10) Cl.** **13-02**

(52) **U.S. Cl.**
USPC **D13/107**

(58) **Field of Classification Search**
CPC H02J 7/0042-7/0045; H02J 7/04;
H02J 7/00; H02J 7/041; H02J 7/007
USPC D13/103-122, 168; 429/96-100;
D14/218, 223, 197, 198; D10/104.1,
D10/65, 78

See application file for complete search history.

(56) **References Cited**

U.S. PATENT DOCUMENTS

D216,374 S * 12/1969 Yran D14/168
D364,825 S * 12/1995 Brodeur et al. D10/73
D459,340 S * 6/2002 Leyde et al. D14/198

D506,982 S * 7/2005 Murtaugh et al. D13/168
D529,902 S * 10/2006 Tan et al. D14/225
D550,654 S * 9/2007 Miyawaki D14/218
D596,560 S * 7/2009 Cutchins et al. D13/108
D608,734 S * 1/2010 Smith D13/107
D688,232 S * 8/2013 Zhang D14/218
D694,180 S * 11/2013 Inskeep D13/107
2011/0045330 A1 * 2/2011 Takeshita et al. 429/97
2011/0187322 A1 * 8/2011 Inskeep 320/109
2013/0181657 A1 * 7/2013 Eidsvig 320/106

* cited by examiner

Primary Examiner — Susan Bennett Hattan

Assistant Examiner — Brett Miller

(74) *Attorney, Agent, or Firm* — Fletcher Yoder, P.C.

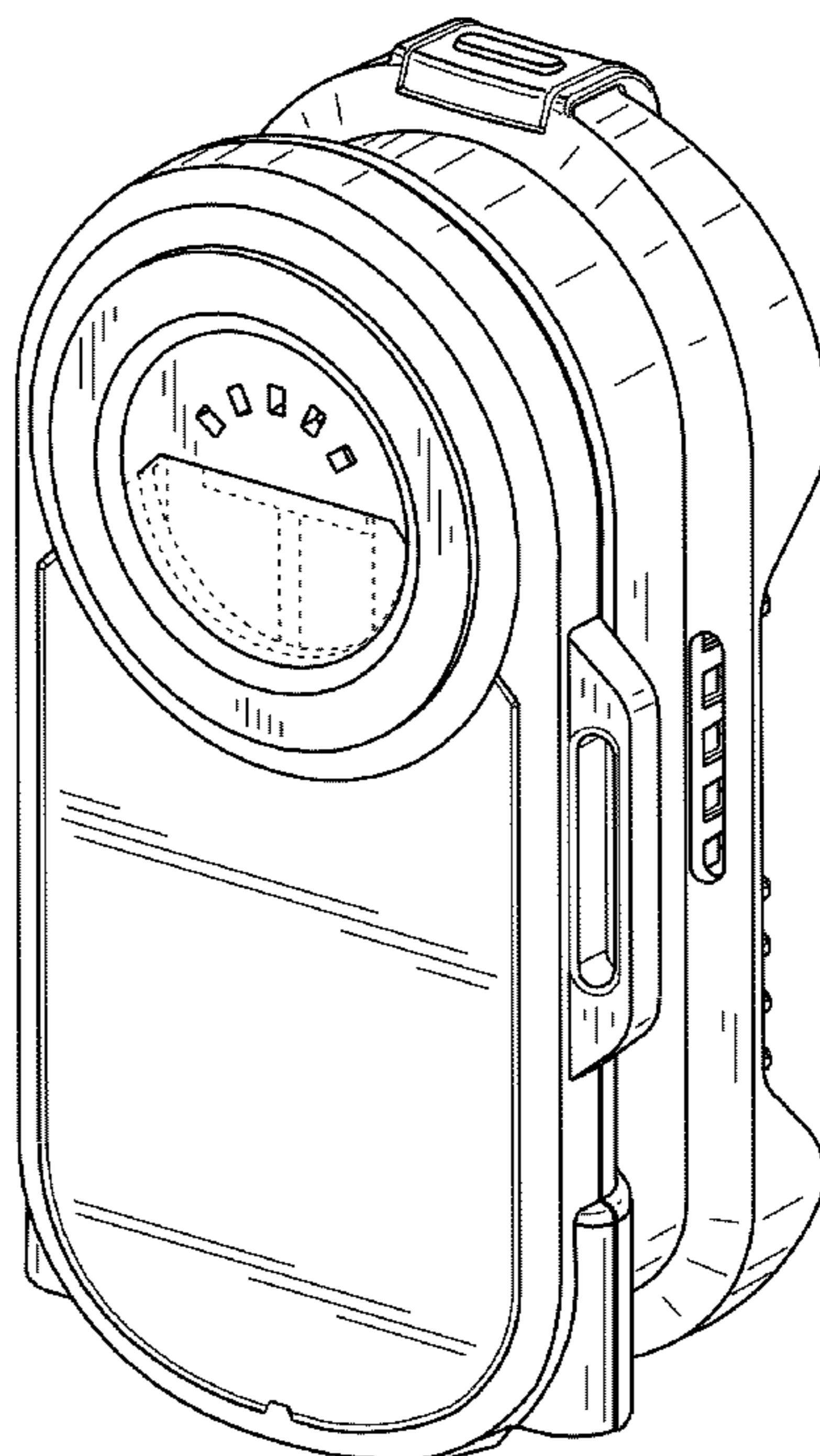
(57) **CLAIM**

The ornamental design for a battery maintainer, as shown and described.

DESCRIPTION

FIG. 1 is a perspective view of the ornamental design for the battery maintainer;
FIG. 2 is a front view of the battery maintainer of FIG. 1;
FIG. 3 is a left side view of the battery maintainer of FIG. 1;
FIG. 4 is a right side view of the battery maintainer of FIG. 1;
FIG. 5 is a top view of the battery maintainer of FIG. 1;
FIG. 6 is a bottom view of the battery maintainer of FIG. 1;
and,
FIG. 7 is a back view of the battery maintainer of FIG. 1.
In these drawings, the broken lines illustrate environmental features that form no part of the claimed ornamental design.

1 Claim, 6 Drawing Sheets



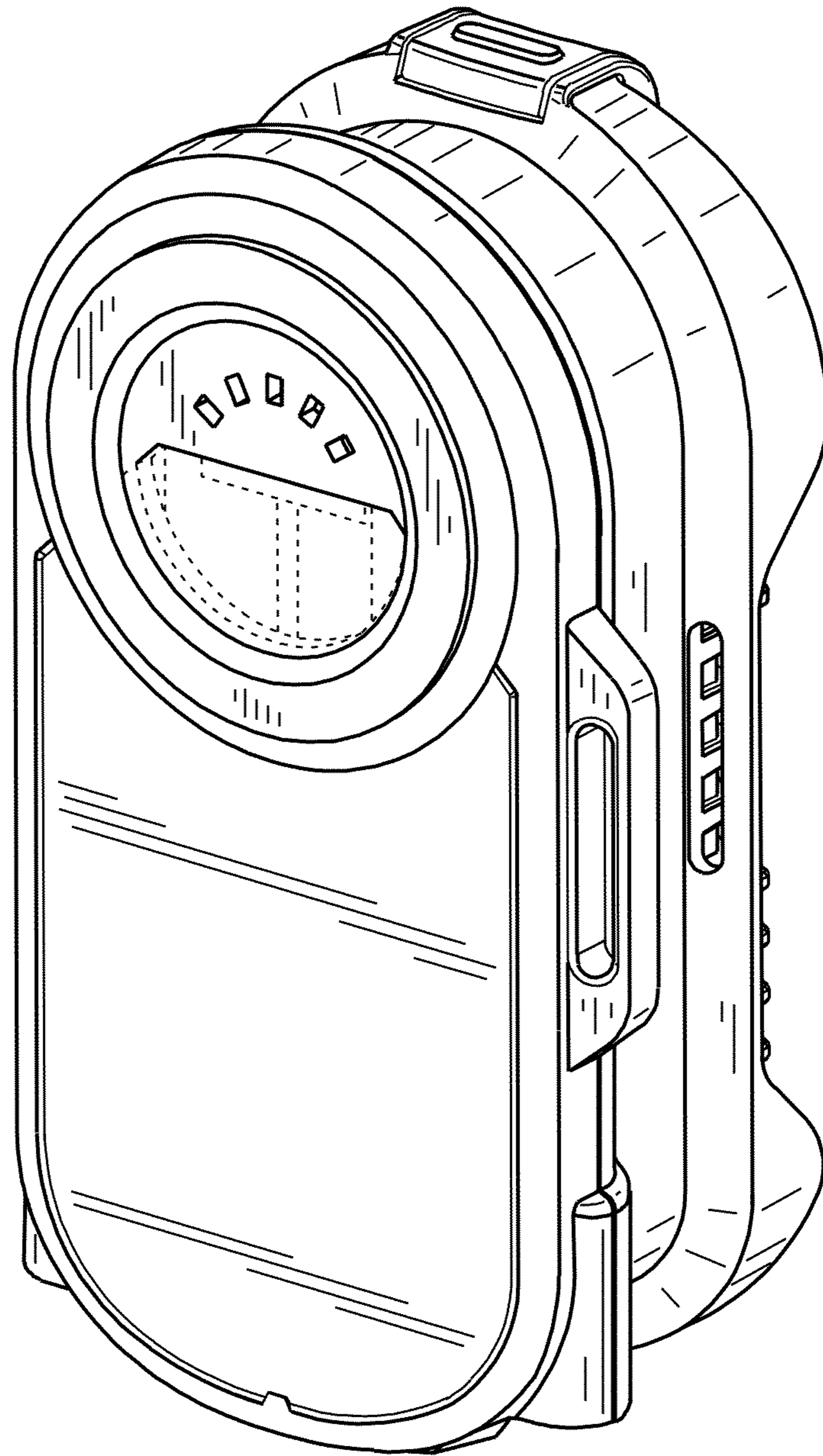


FIG. 1

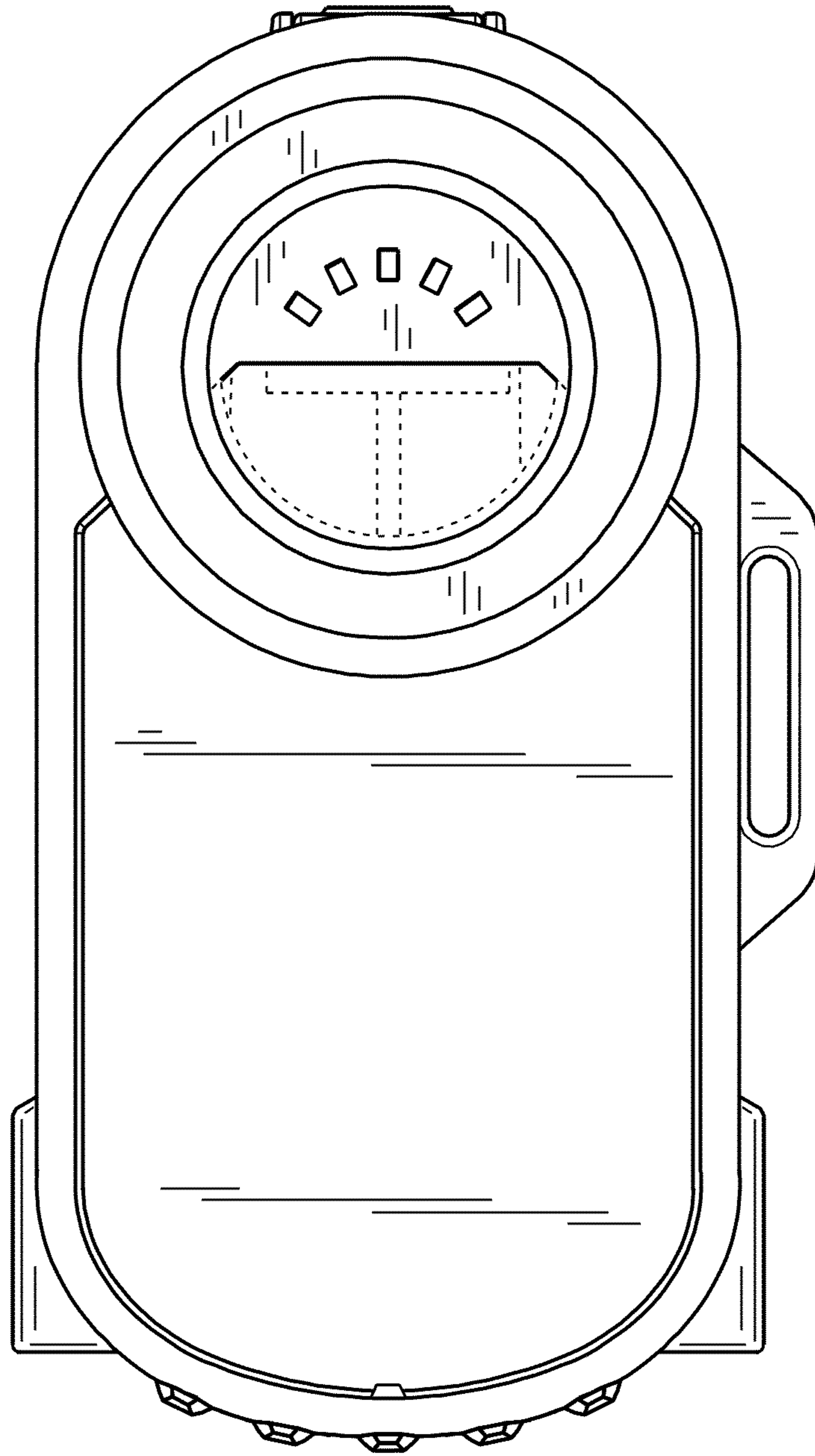


FIG. 2

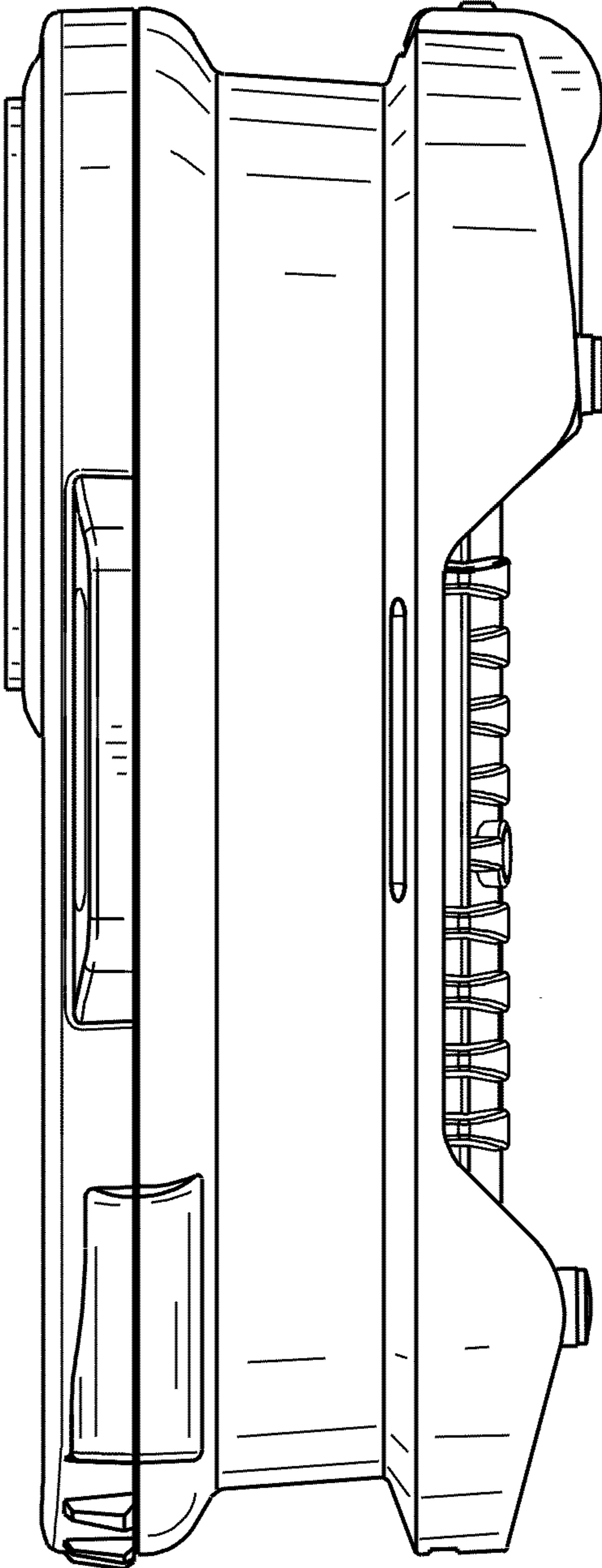


FIG. 3

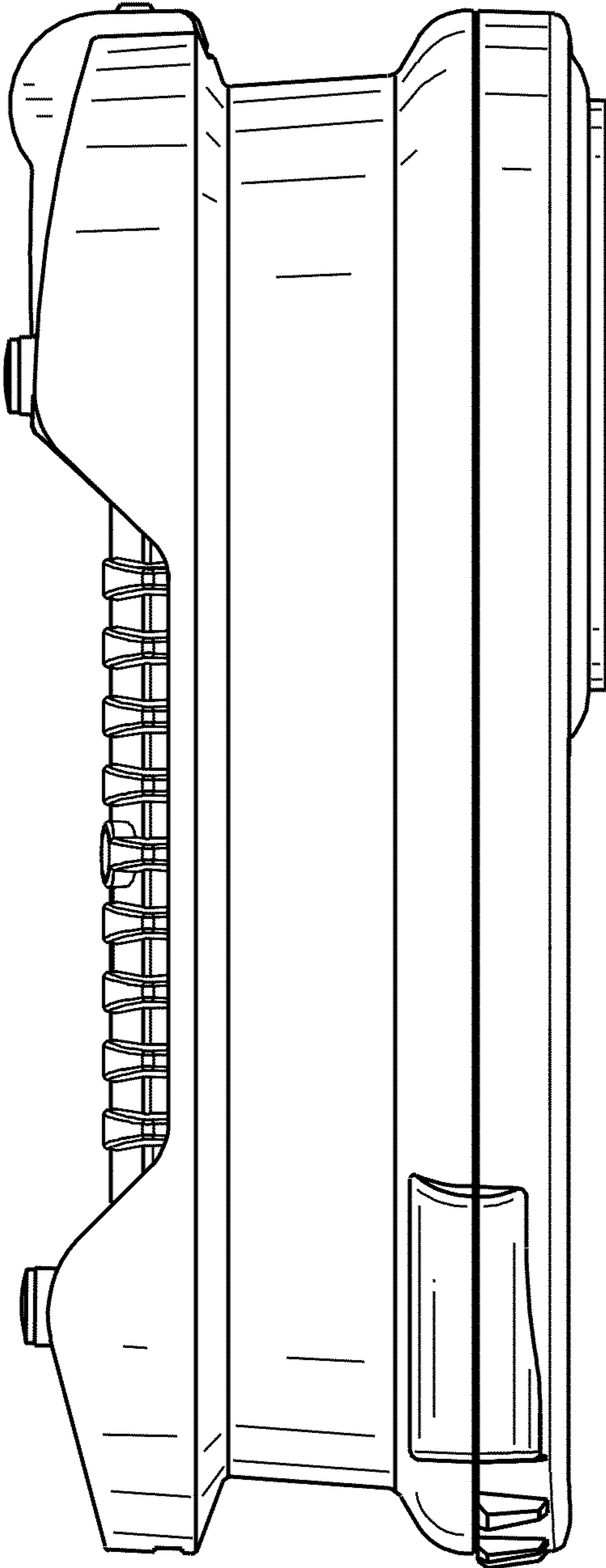


FIG. 4

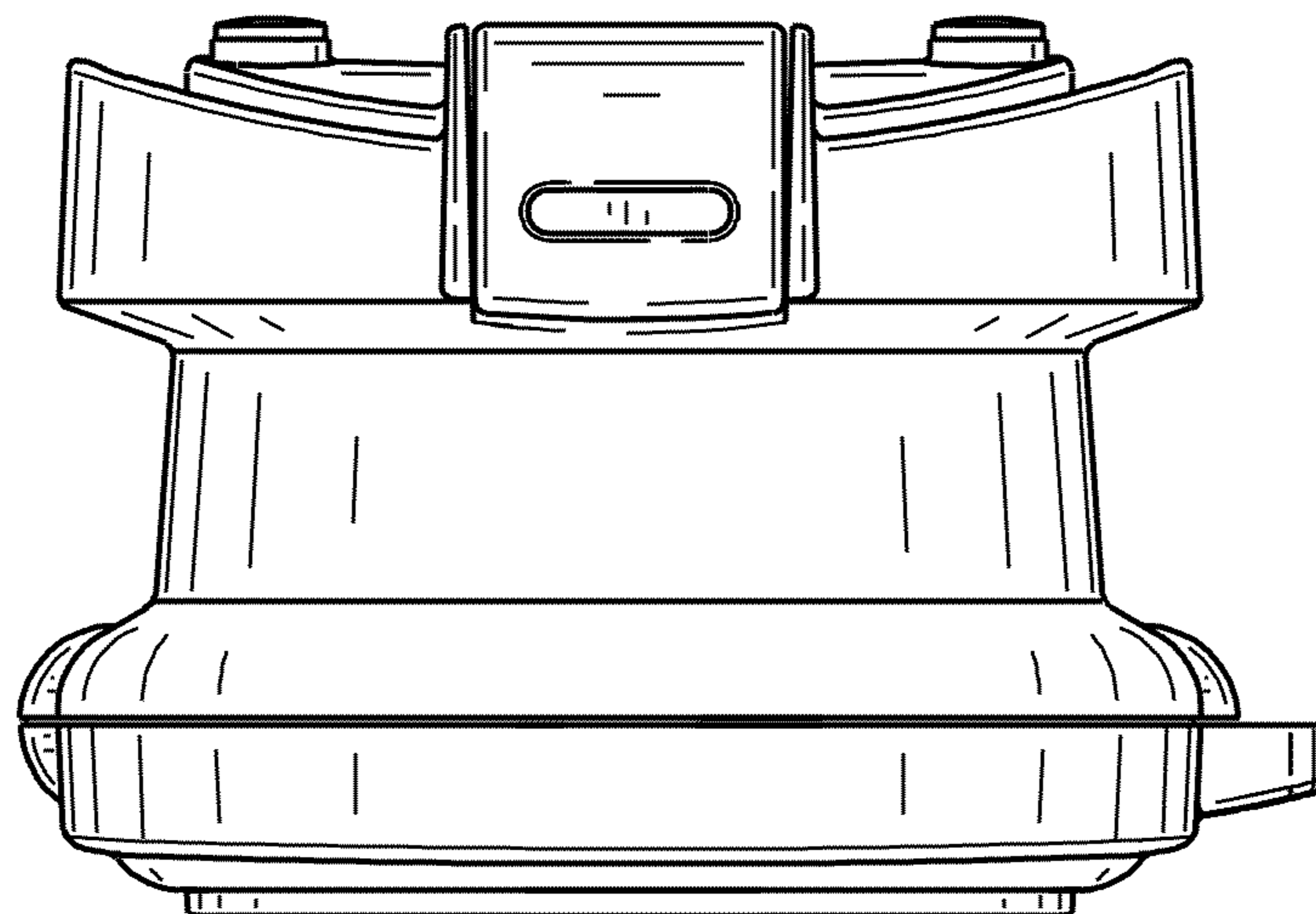


FIG. 5

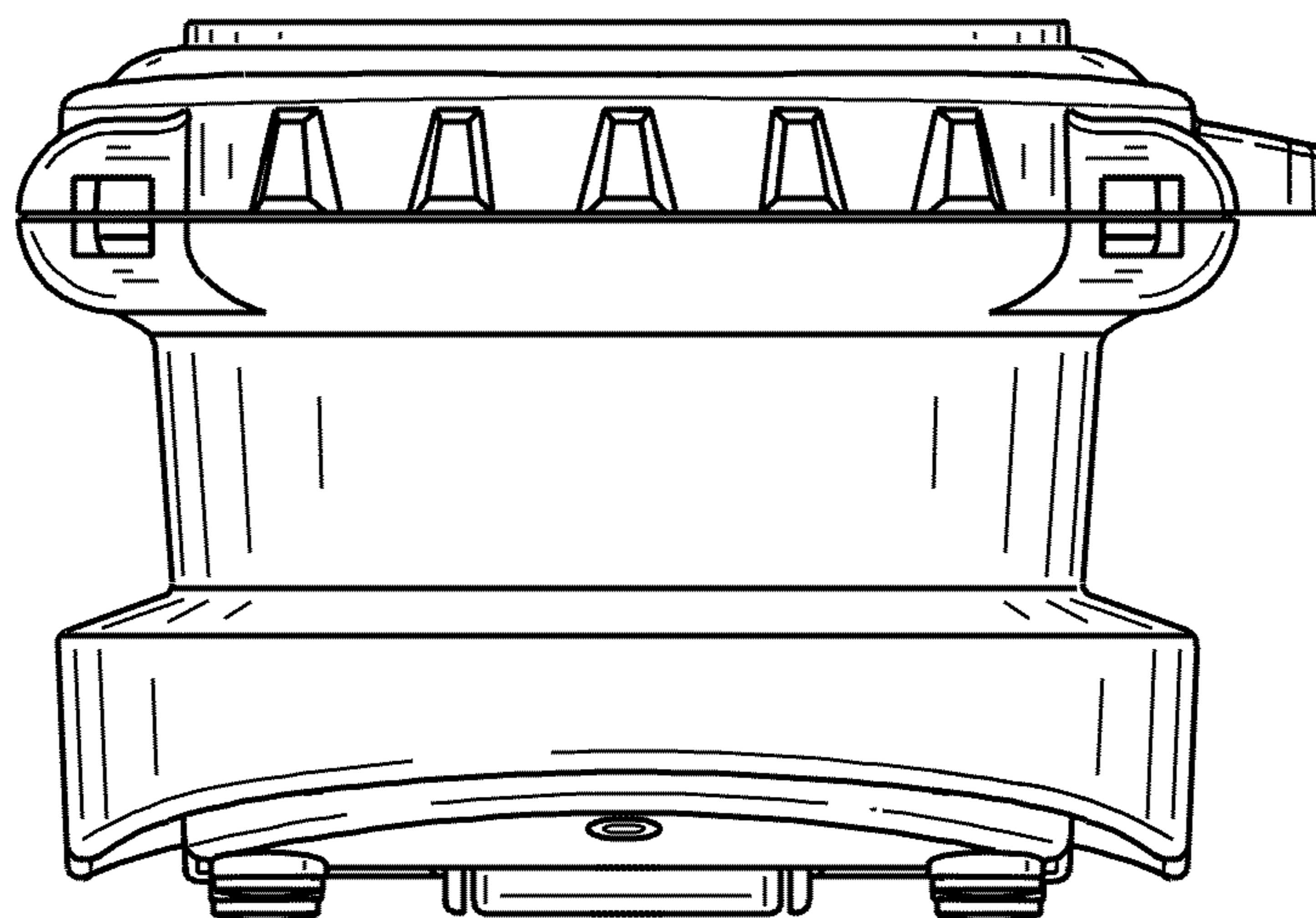


FIG. 6

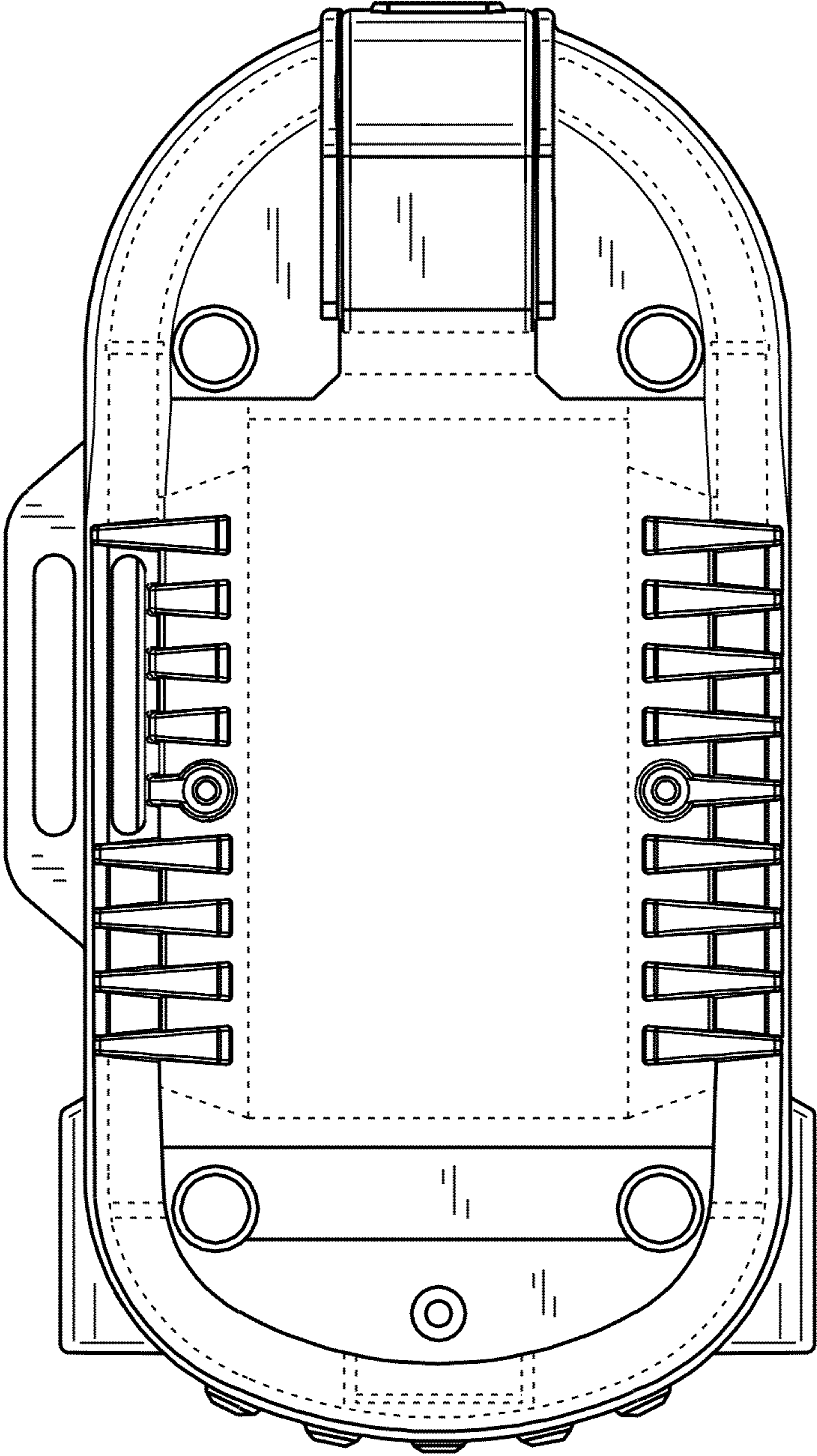


FIG. 7