



US00D725031S

(12) **United States Design Patent**
Tinius

(10) **Patent No.:** **US D725,031 S**
(45) **Date of Patent:** **** Mar. 24, 2015**

(54) **BATTERY BACKPACK**

(75) Inventor: **Michael Tinius**, Ulm (DE)

(73) Assignee: **Andreas Stihl AG & Co. KG**,
Waiblingen (DE)

(**) Term: **14 Years**

(21) Appl. No.: **29/415,905**

(22) Filed: **Mar. 15, 2012**

(30) **Foreign Application Priority Data**

Nov. 16, 2011 (EM) 001948399-0002

(51) **LOC (10) Cl.** **13-02**

(52) **U.S. Cl.**
USPC **D13/103**

(58) **Field of Classification Search**
USPC D13/103-107, 119-121; 320/104-115;
429/96-100, 163, 175-176
See application file for complete search history.

(56) **References Cited**

U.S. PATENT DOCUMENTS

D334,560	S	*	4/1993	Wilson	D13/106
5,220,269	A	*	6/1993	Chen et al.	320/112
D354,729	S	*	1/1995	Poon	D13/106
5,689,171	A	*	11/1997	Ludewig	320/110
D417,429	S	*	12/1999	Brezovar et al.	D13/107
D444,125	S	*	6/2001	Shy	D13/110
D504,396	S	*	4/2005	Hussaini et al.	D13/107
D579,870	S	*	11/2008	Dunbar et al.	D13/116
D624,877	S	*	10/2010	Daniels et al.	D13/107

D654,863	S	*	2/2012	Whiting et al.	D13/107
D686,985	S	*	7/2013	Henderson et al.	D13/107
D697,472	S	*	1/2014	Lai	D13/107
2013/0164587	A1	*	6/2013	Smith et al.	429/97

* cited by examiner

Primary Examiner — Susan Bennett Hattan

Assistant Examiner — Brett Miller

(74) *Attorney, Agent, or Firm* — McGuireWoods LLP

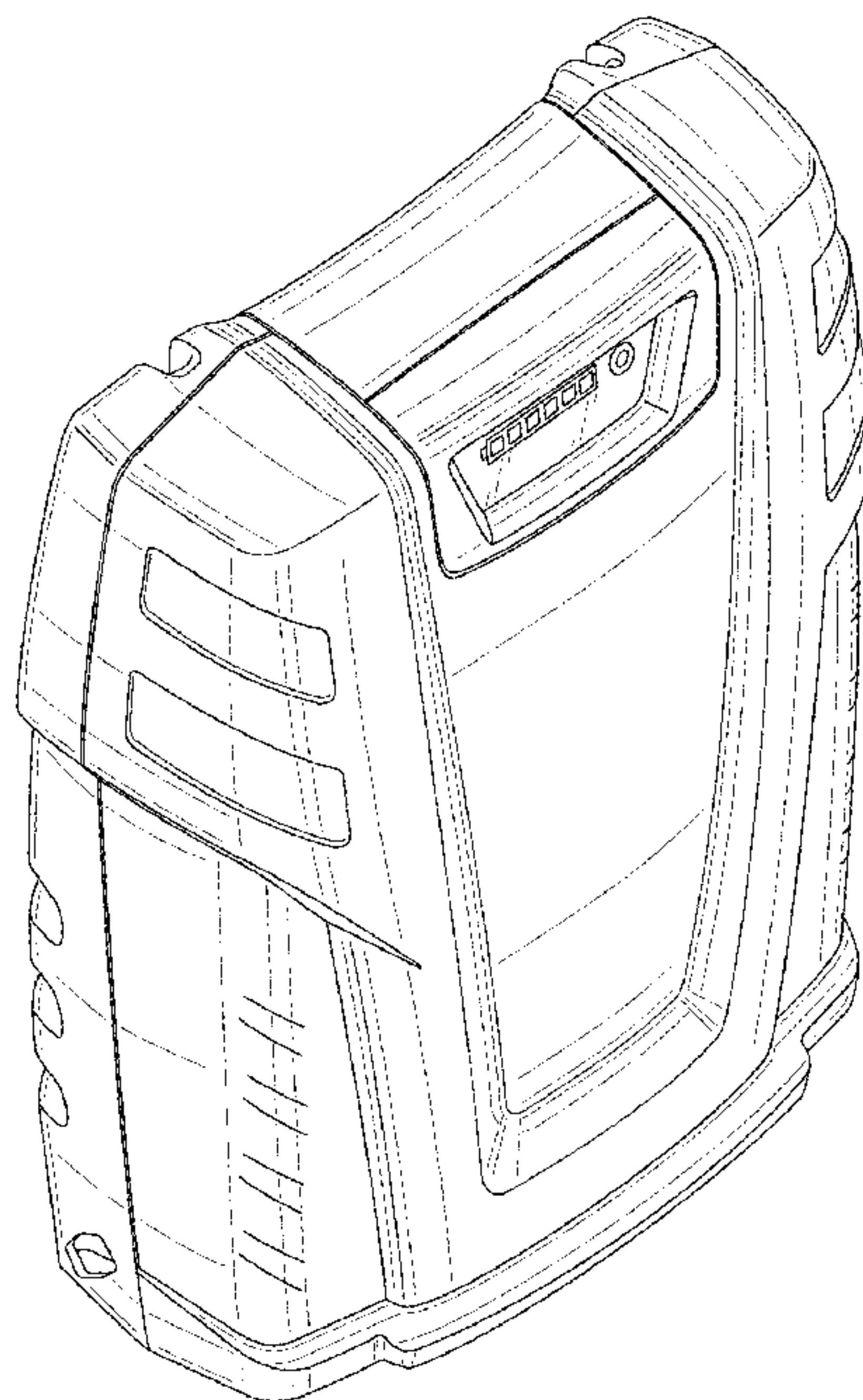
(57) **CLAIM**

I claim the ornamental design for a battery backpack, as shown and described.

DESCRIPTION

FIG. 1 is a left-front side perspective view of the battery backpack;
 FIG. 2 is a front view of the battery backpack shown in FIG. 1;
 FIG. 3 is a back view of the battery backpack shown in FIG. 1;
 FIG. 4 is a left side view of the battery backpack shown in FIG. 1;
 FIG. 5 is a right side view of the battery backpack shown in FIG. 1;
 FIG. 6 is a top view of the battery backpack shown in FIG. 1;
 and,
 FIG. 7 is a bottom view of the battery backpack shown in FIG. 1.
 The subject matter shown in dashed lines, and any surfaces of the design not shown, including interior surfaces, form no part of the claimed invention.

1 Claim, 6 Drawing Sheets



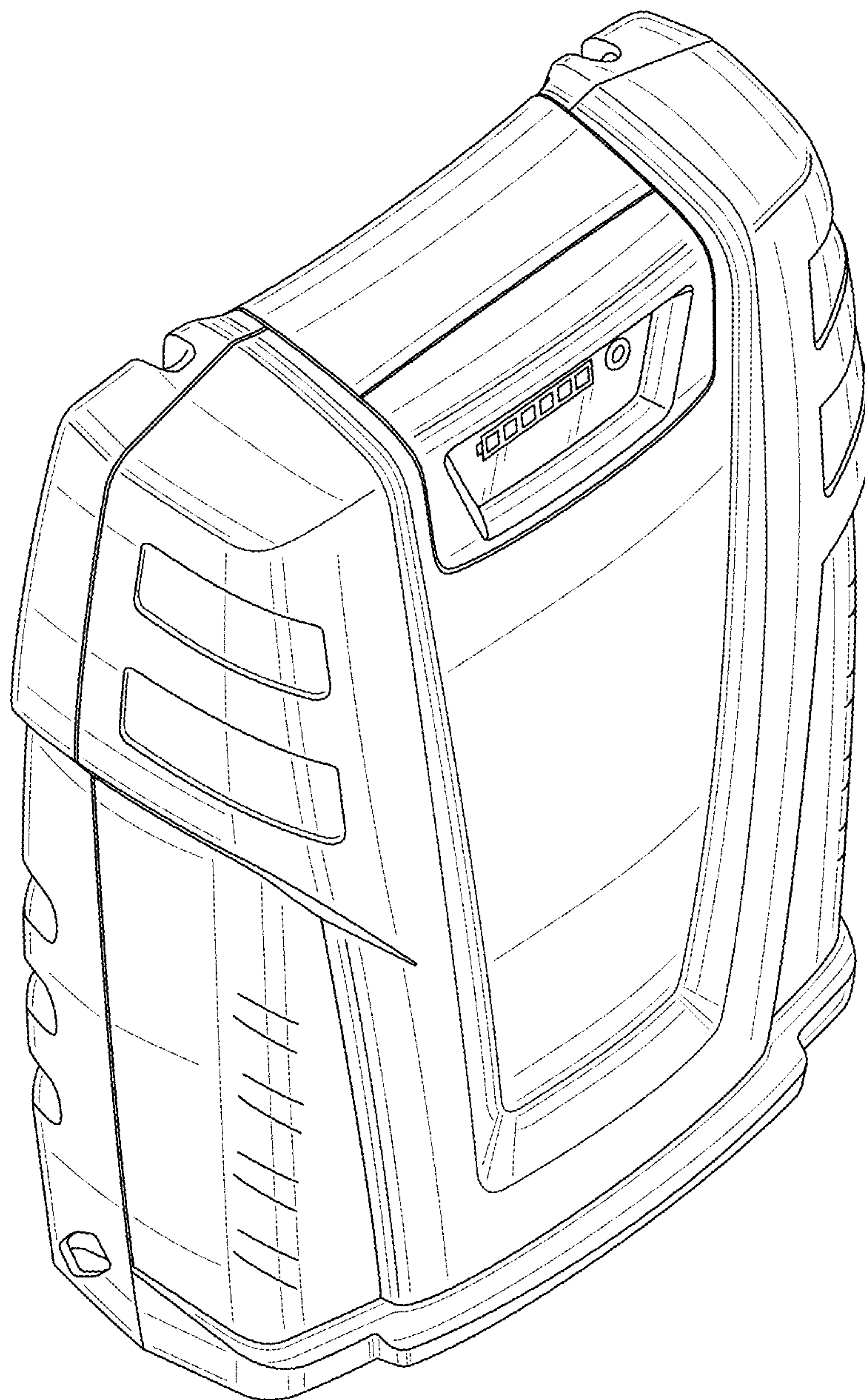


FIG. 1

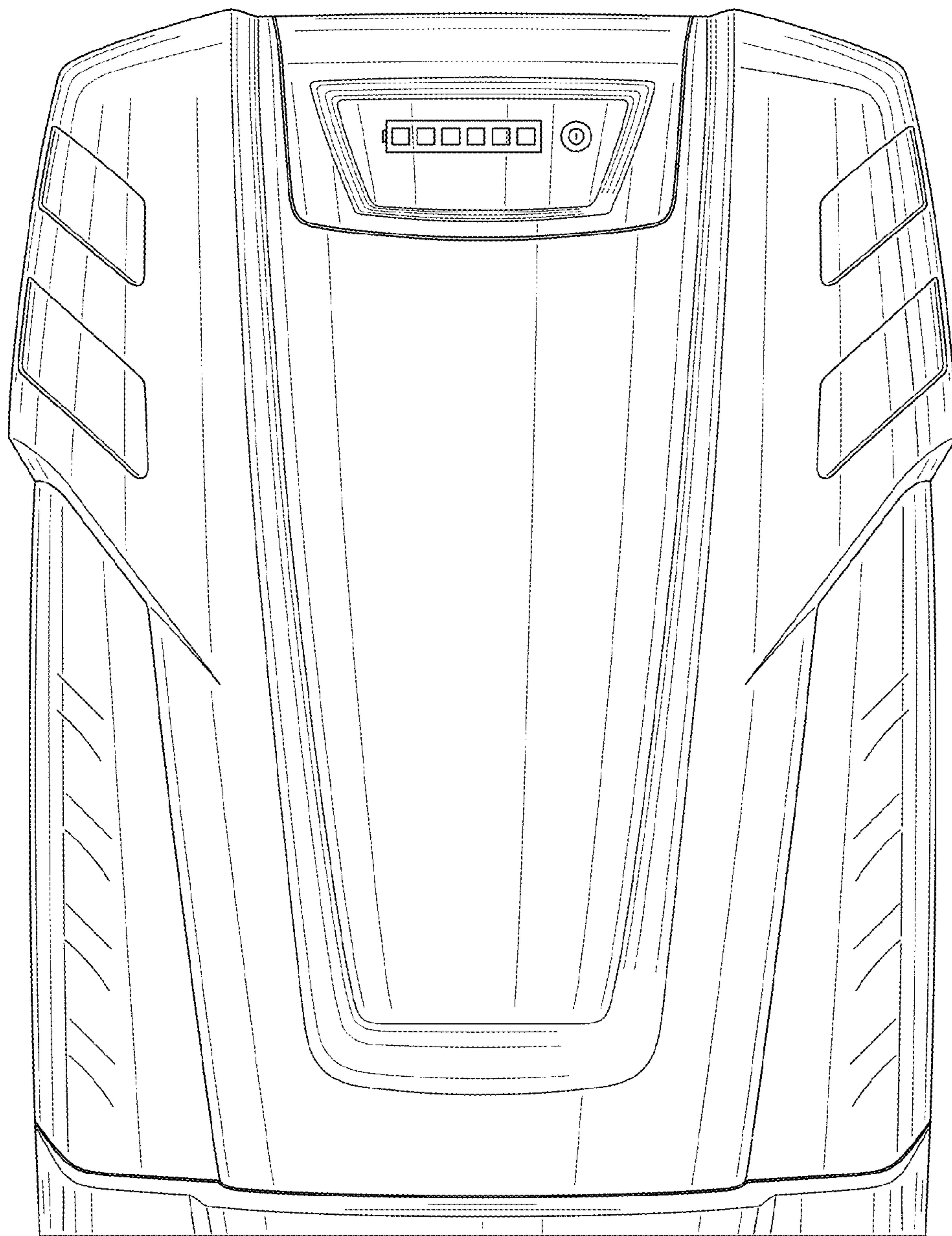


FIG. 2

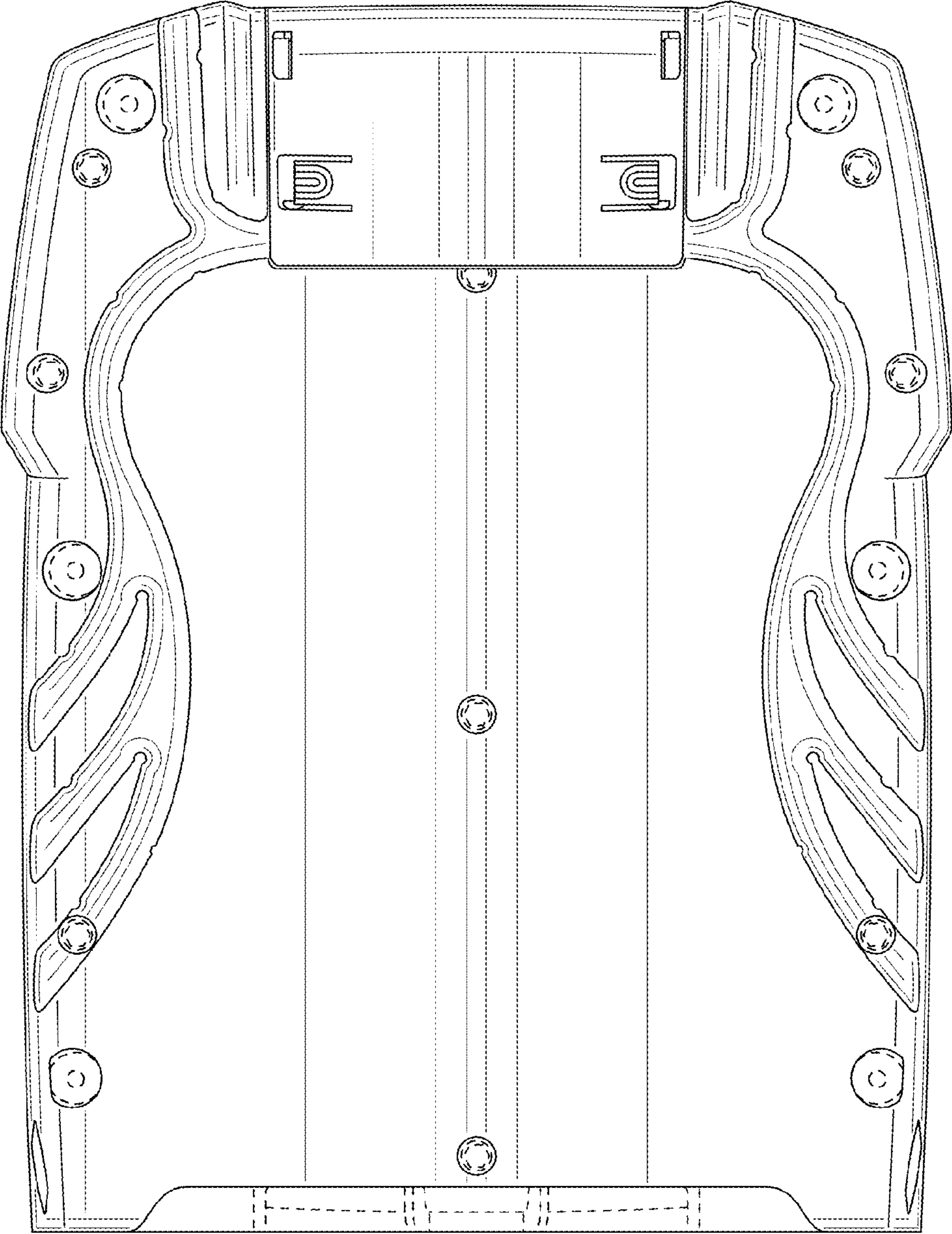


FIG. 3

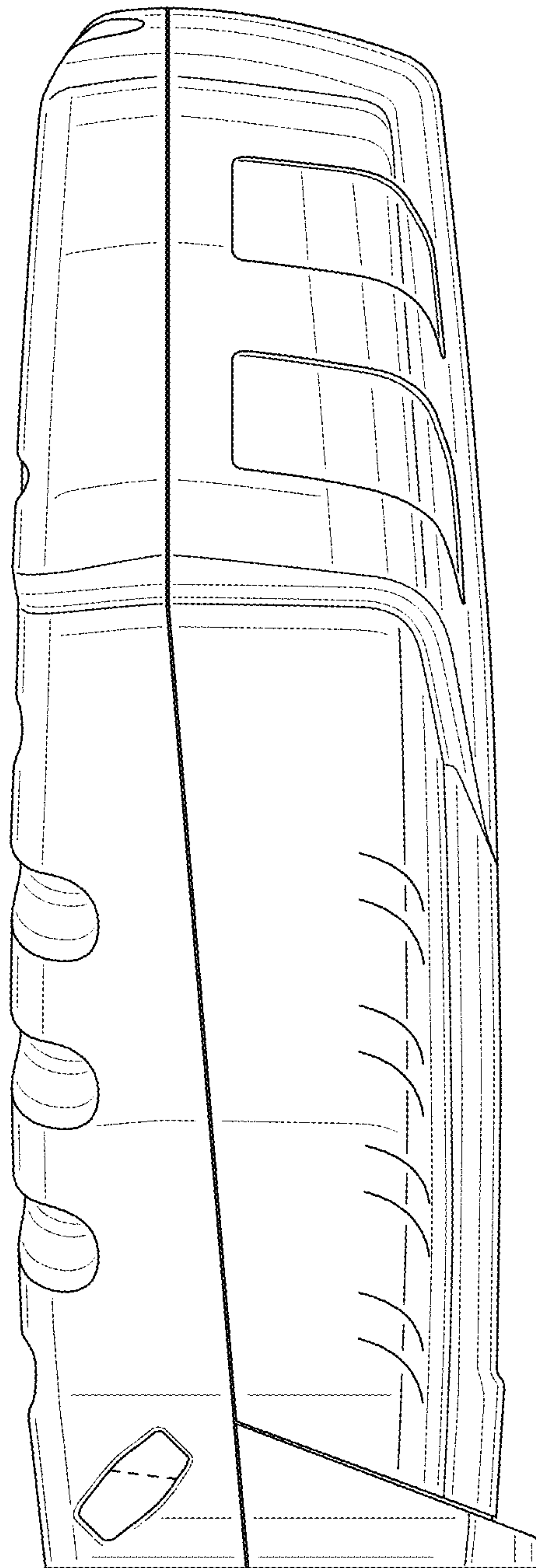


FIG. 4

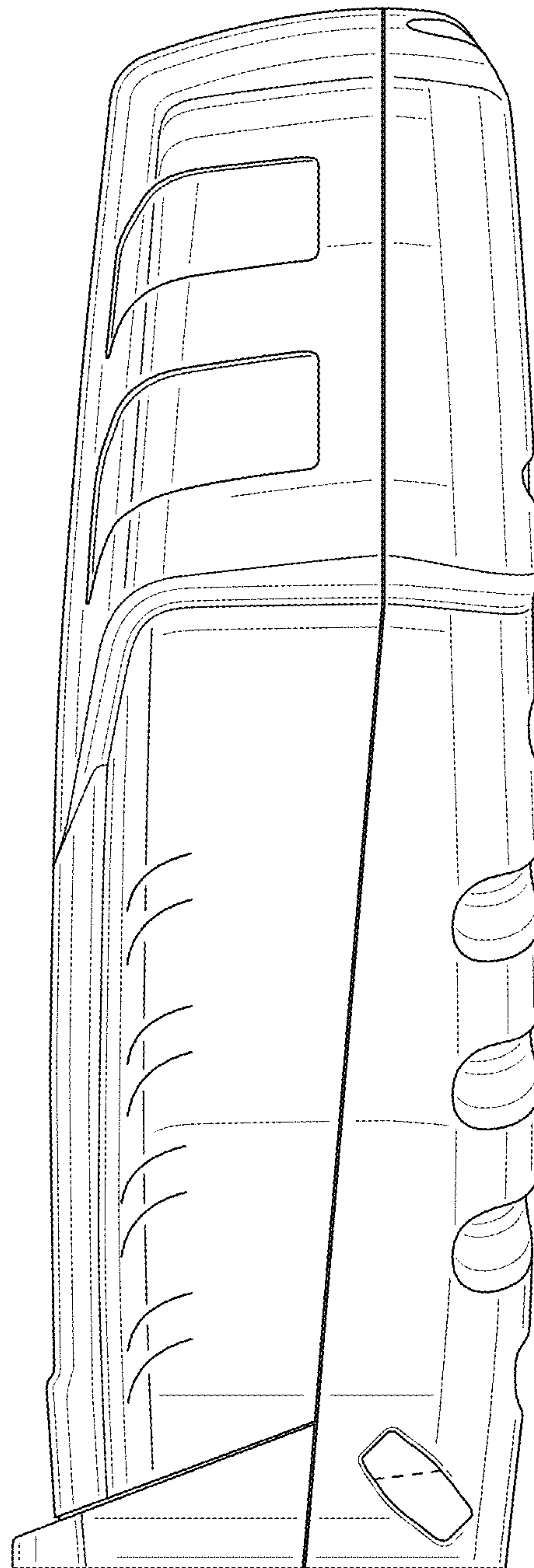


FIG. 5

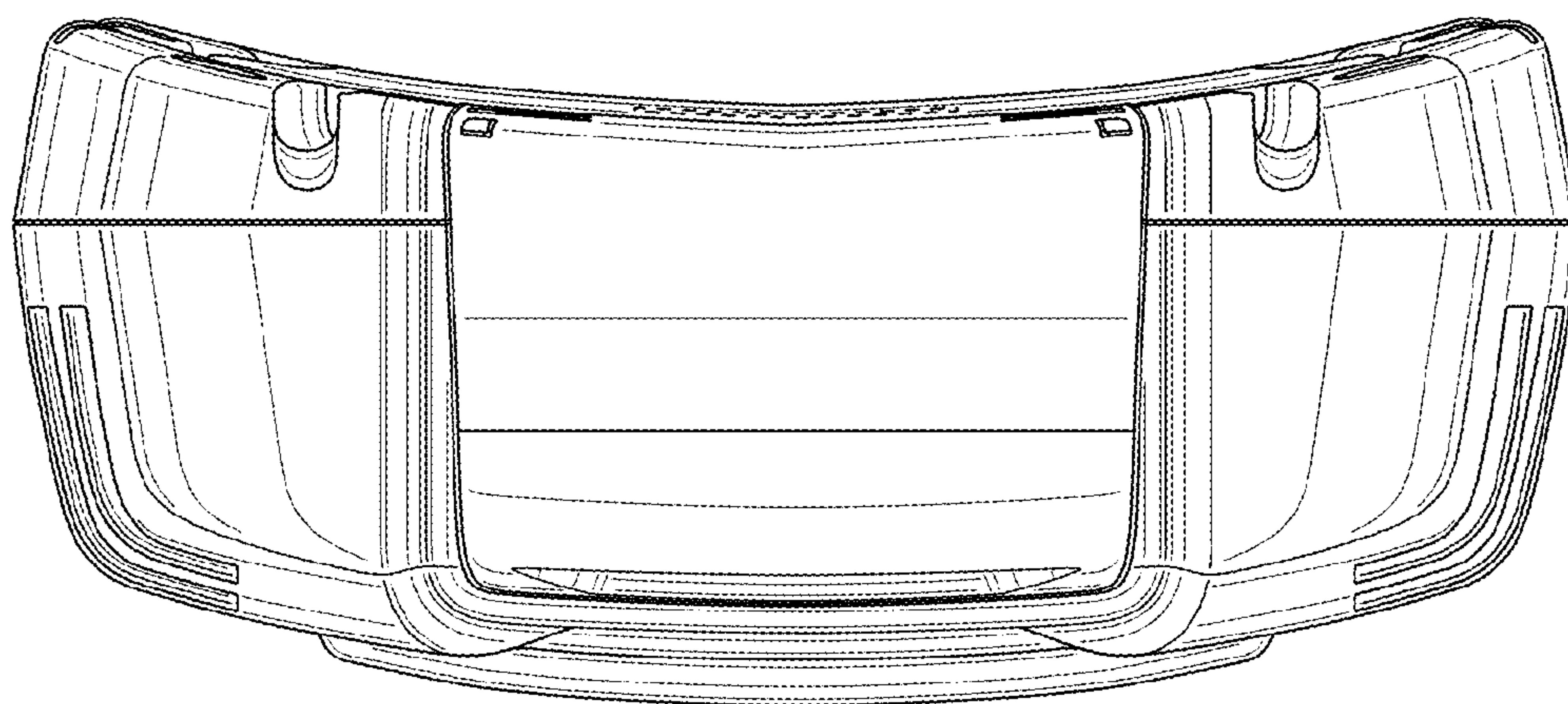


FIG. 6

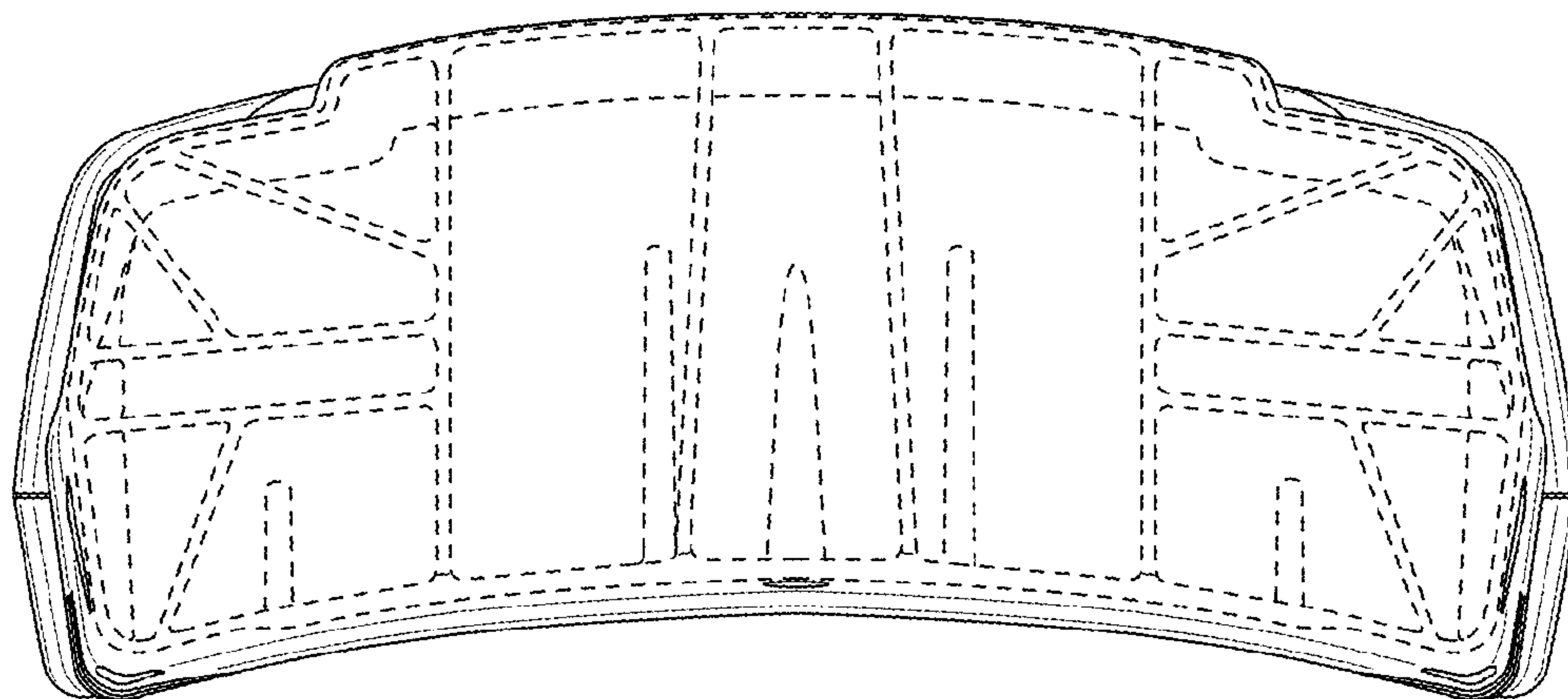


FIG. 7