



US00D725029S

(12) **United States Design Patent**  
**Halley**

(10) **Patent No.:** **US D725,029 S**  
(45) **Date of Patent:** **\*\* Mar. 24, 2015**

- (54) **FIRE FIGHTING HITCH PLATFORM ASSEMBLY**
- (71) Applicant: **Ricky Lee Halley**, Kingston, OH (US)
- (72) Inventor: **Ricky Lee Halley**, Kingston, OH (US)
- (\*\*) Term: **14 Years**
- (21) Appl. No.: **29/445,086**
- (22) Filed: **Feb. 7, 2013**
- (51) **LOC (10) Cl.** ..... **12-16**
- (52) **U.S. Cl.**  
USPC ..... **D12/414**
- (58) **Field of Classification Search**  
USPC ..... D12/414; D32/35, 58; D6/317-319,  
D6/513-514; 206/213, 8, 9, 279, 290, 713,  
206/335  
See application file for complete search history.

5,775,560 A	7/1998	Zahn	
D415,096 S *	10/1999	Englander et al. ....	D12/406
6,006,973 A	12/1999	Belinky	
6,099,061 A	8/2000	Gessay	
D432,488 S	10/2000	Roll	
6,502,730 B2	1/2003	Johnson	
6,685,421 B1	2/2004	Reeves	
6,783,315 B1	8/2004	Senechal	
6,846,017 B2	1/2005	Martin	
6,874,804 B2	4/2005	Reese	
D508,014 S	8/2005	Heravi	
6,994,362 B2	2/2006	Foster	
7,195,262 B2	3/2007	Chaudoin	
D555,573 S *	11/2007	Kemery et al. ....	D12/412
D566,034 S *	4/2008	Davis et al. ....	D12/408
D574,096 S *	7/2008	Klinkman et al. ....	D26/28
7,445,263 B1	11/2008	Bluhm	
7,836,963 B2	11/2010	Collins	
7,909,112 B2	3/2011	Decker	

(Continued)

*Primary Examiner* — Katrina A Betton  
(74) *Attorney, Agent, or Firm* — Miracle IP; Bryce D. Miracle

(56) **References Cited**  
U.S. PATENT DOCUMENTS

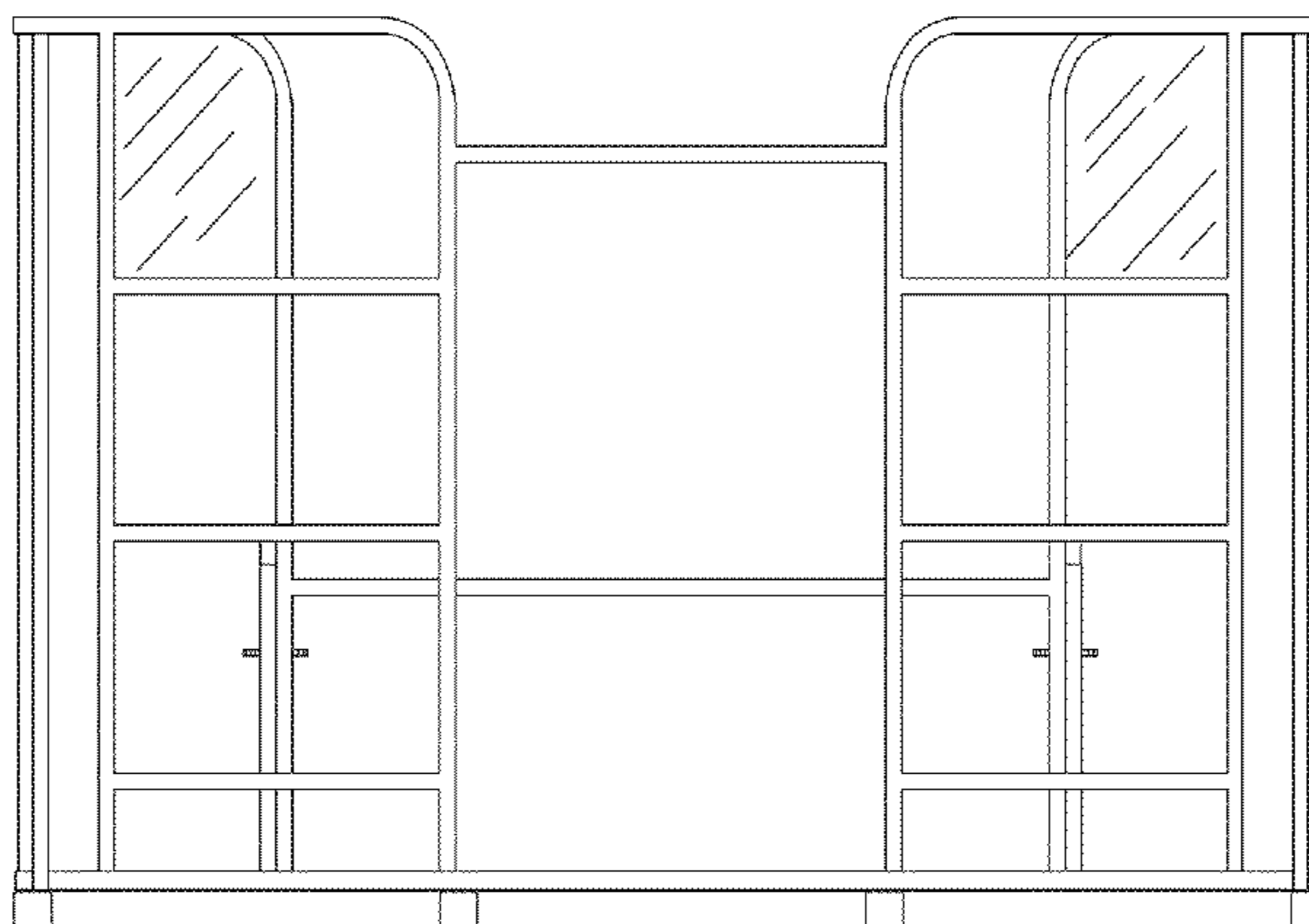
324,196 A	8/1885	Walling	
2,394,447 A	4/1943	Hemp	
2,492,914 A	12/1949	Barden	
2,624,058 A	1/1953	Kudrna	
2,772,824 A *	12/1956	Binding .....	224/319
3,159,242 A	12/1964	James	
3,580,613 A	5/1971	Northrop	
3,650,443 A	3/1972	Haskett	
3,826,334 A	7/1974	Spillman	
4,057,125 A	11/1977	Kroft	
4,089,276 A	5/1978	Enos	
4,234,284 A	11/1980	Hauff	
4,274,648 A	6/1981	Robins	
4,869,520 A	9/1989	Cole	
D332,243 S *	1/1993	Collins .....	D12/413
5,224,636 A	7/1993	Bounds	
5,368,209 A	11/1994	Hill	
5,456,397 A *	10/1995	Pedrini .....	224/324
5,533,774 A	7/1996	Cavanaugh	
5,676,292 A	10/1997	Miller	

(57) **CLAIM**  
The ornamental design for a fire fighting hitch platform assembly, substantially as shown and described.

**DESCRIPTION**

FIG. 1 is an illustrative perspective view of the fire fighting hitch platform assembly showing the new design; FIG. 2 is a front elevation view thereof; FIG. 3 is a top plan view thereof; FIG. 4 is a rear elevation view thereof; FIG. 5 is a bottom plan view thereof; FIG. 6 is a left side elevation view thereof; FIG. 7 is a right side elevation view thereof; and, FIG. 8 is an exemplary illustrative close-up view of the use of the fire fighting hitch platform assembly thereof. In the drawings, the broken lines depict portions of a vehicle and a fire hose that form no part of the claimed design.

**1 Claim, 4 Drawing Sheets**



(56)

**References Cited**

U.S. PATENT DOCUMENTS

D642,112 S \* 7/2011 Farber ..... D12/414  
D692,113 S \* 10/2013 Eilmus ..... D23/308  
D694,170 S \* 11/2013 Eriksson ..... D12/414

D694,700 S \* 12/2013 Sankey et al. .... D12/414  
D695,206 S \* 12/2013 Eriksson ..... D12/414  
2002/0134620 A1 9/2002 Meyer  
2011/0305552 A1 12/2011 Pulliam

\* cited by examiner

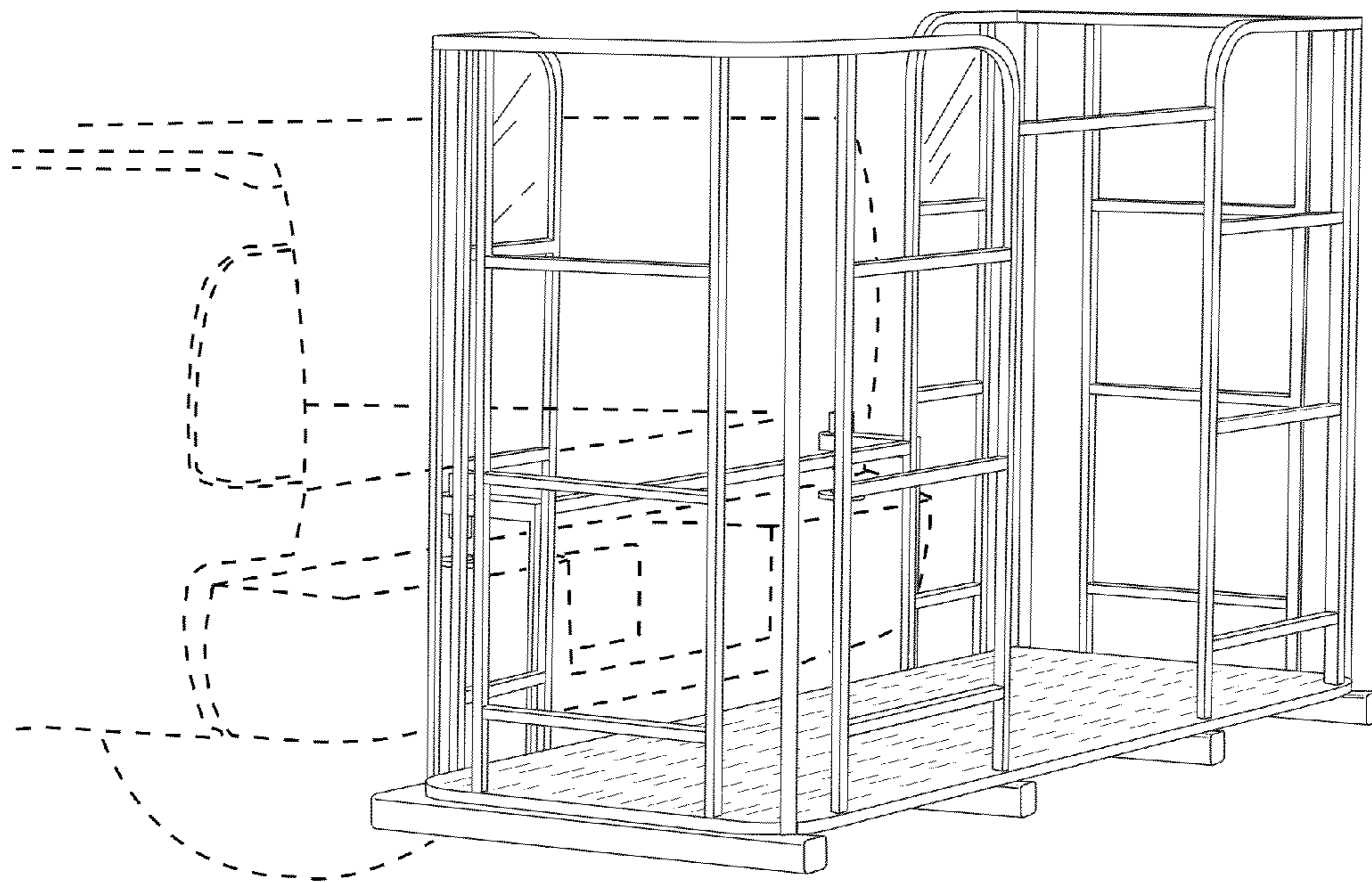


FIG. 1

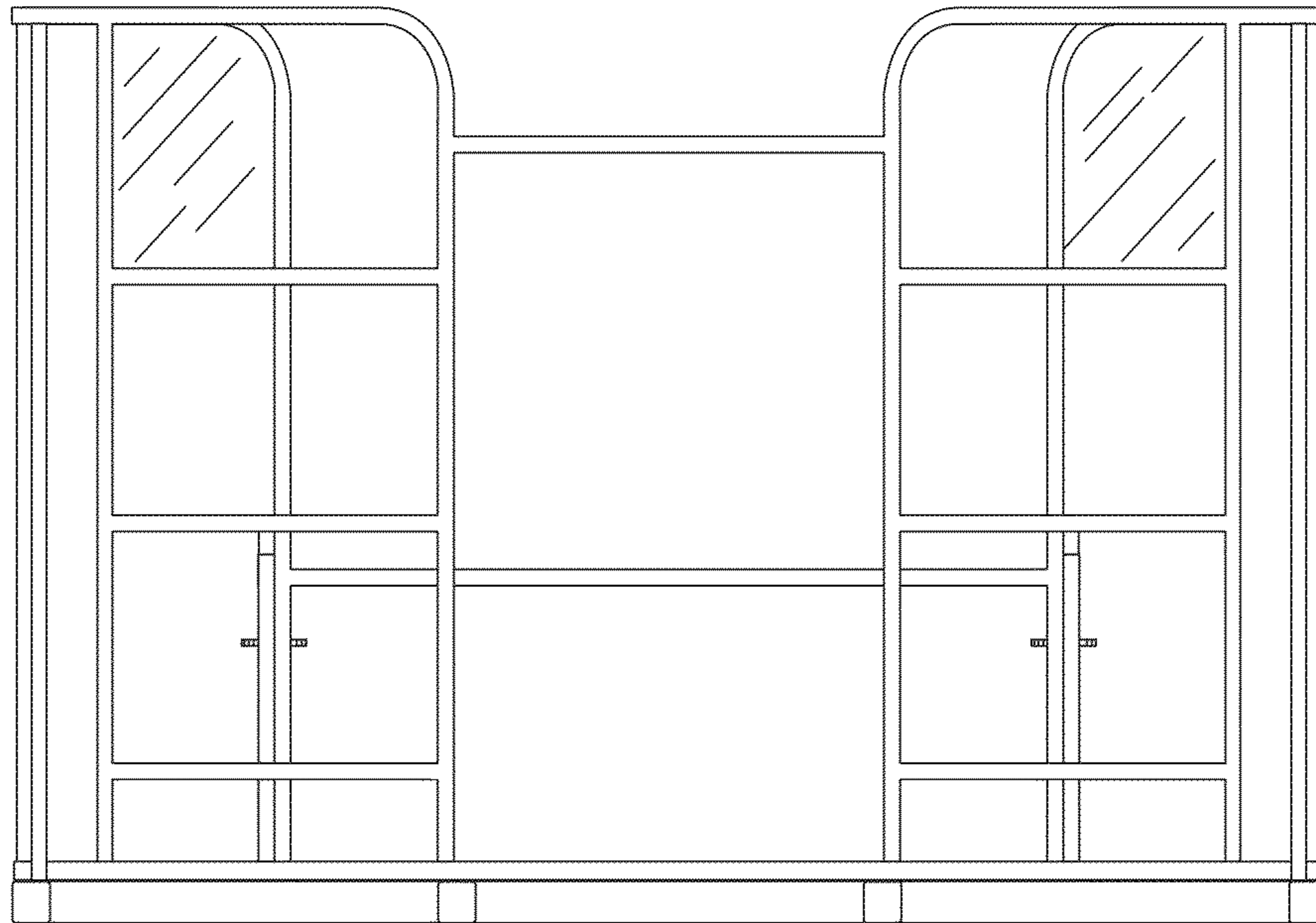


FIG. 2

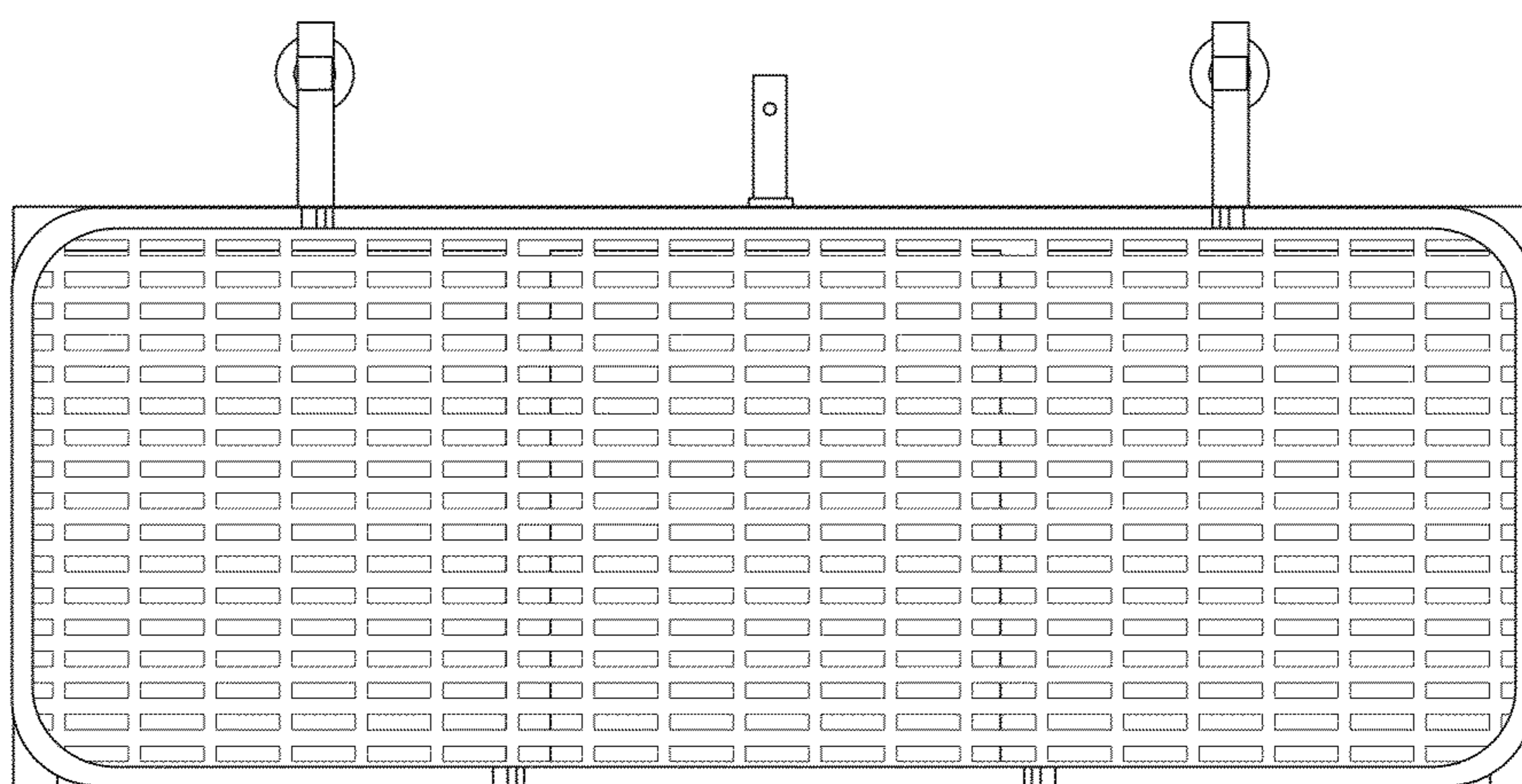


FIG. 3

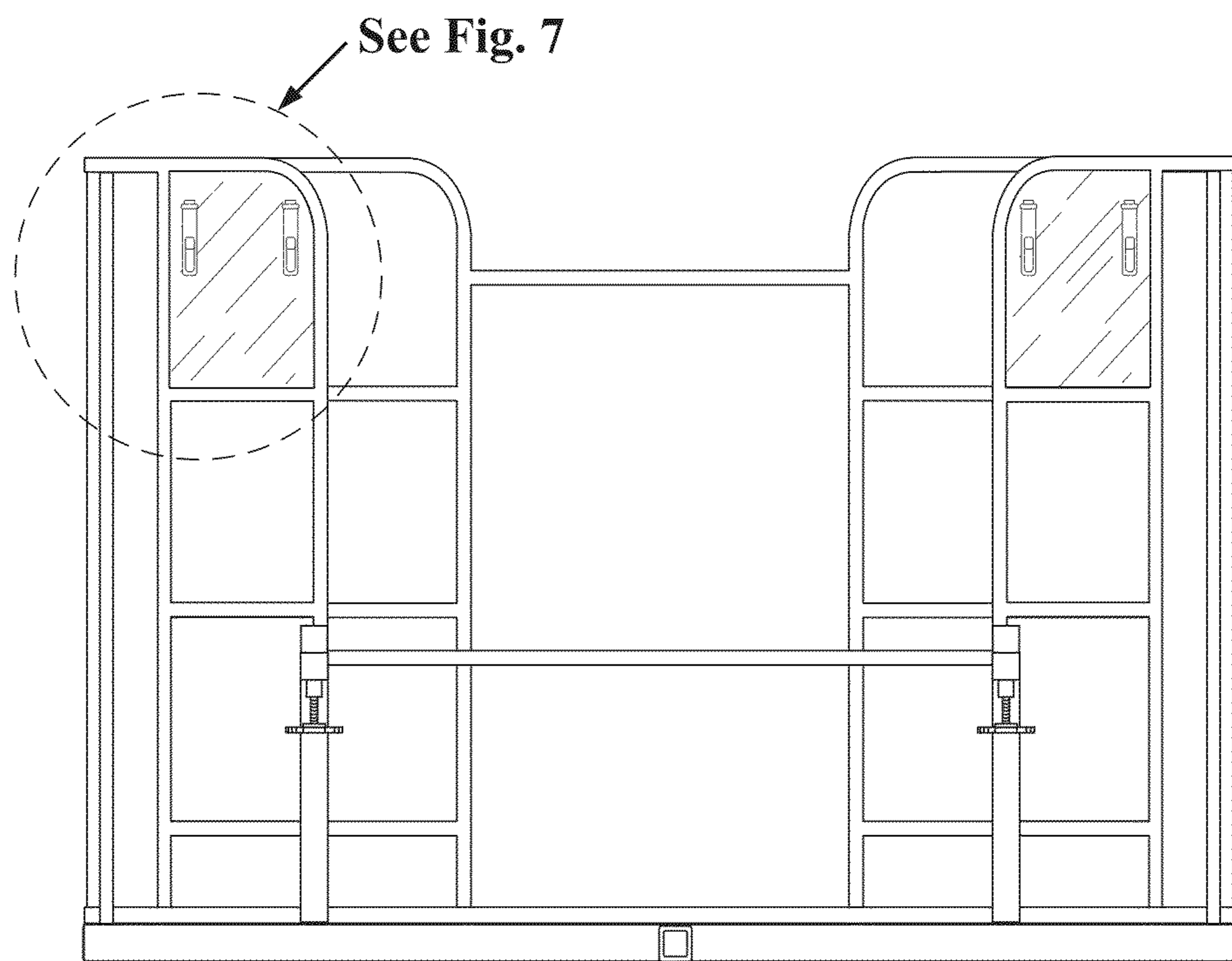


FIG. 4

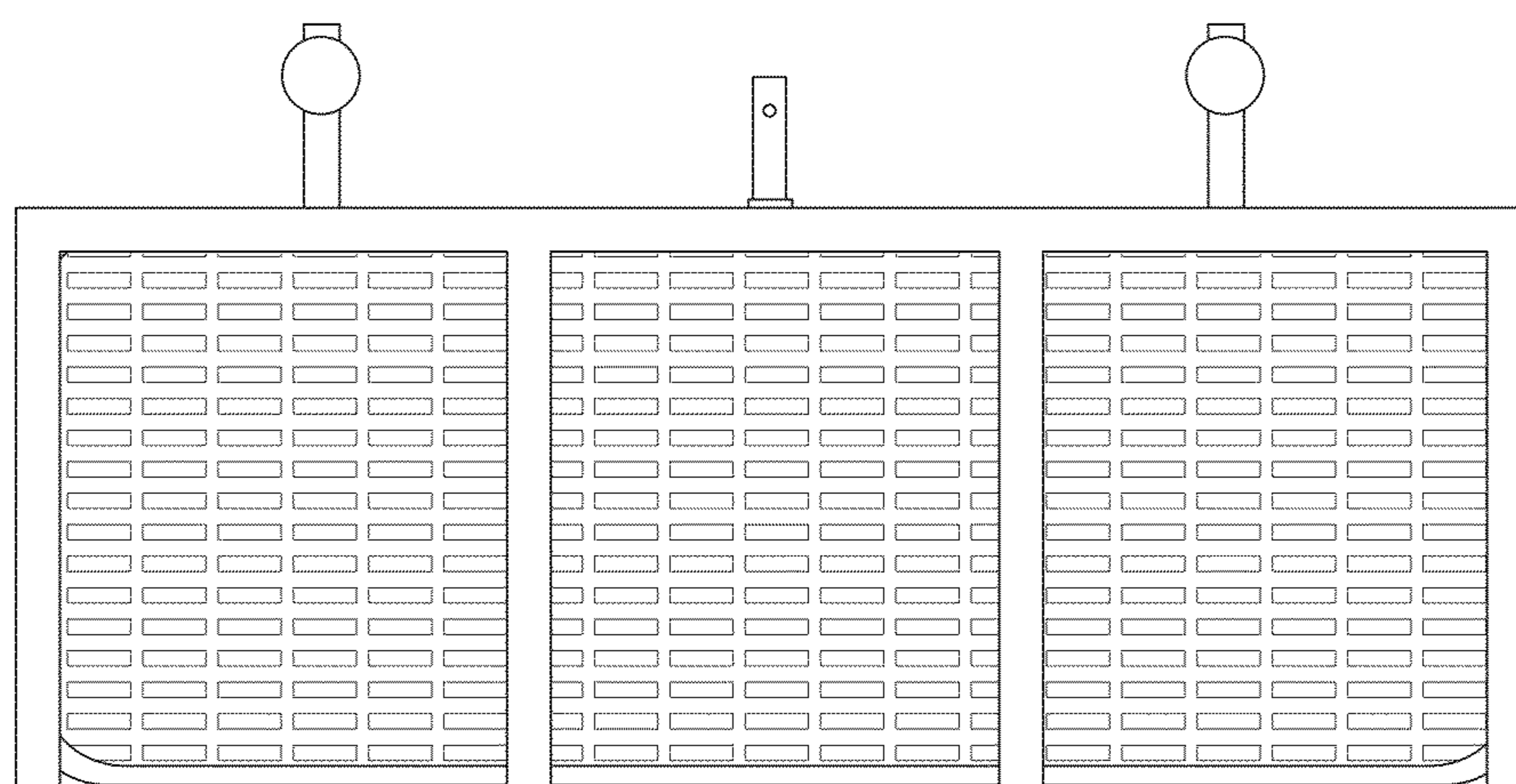


FIG. 5

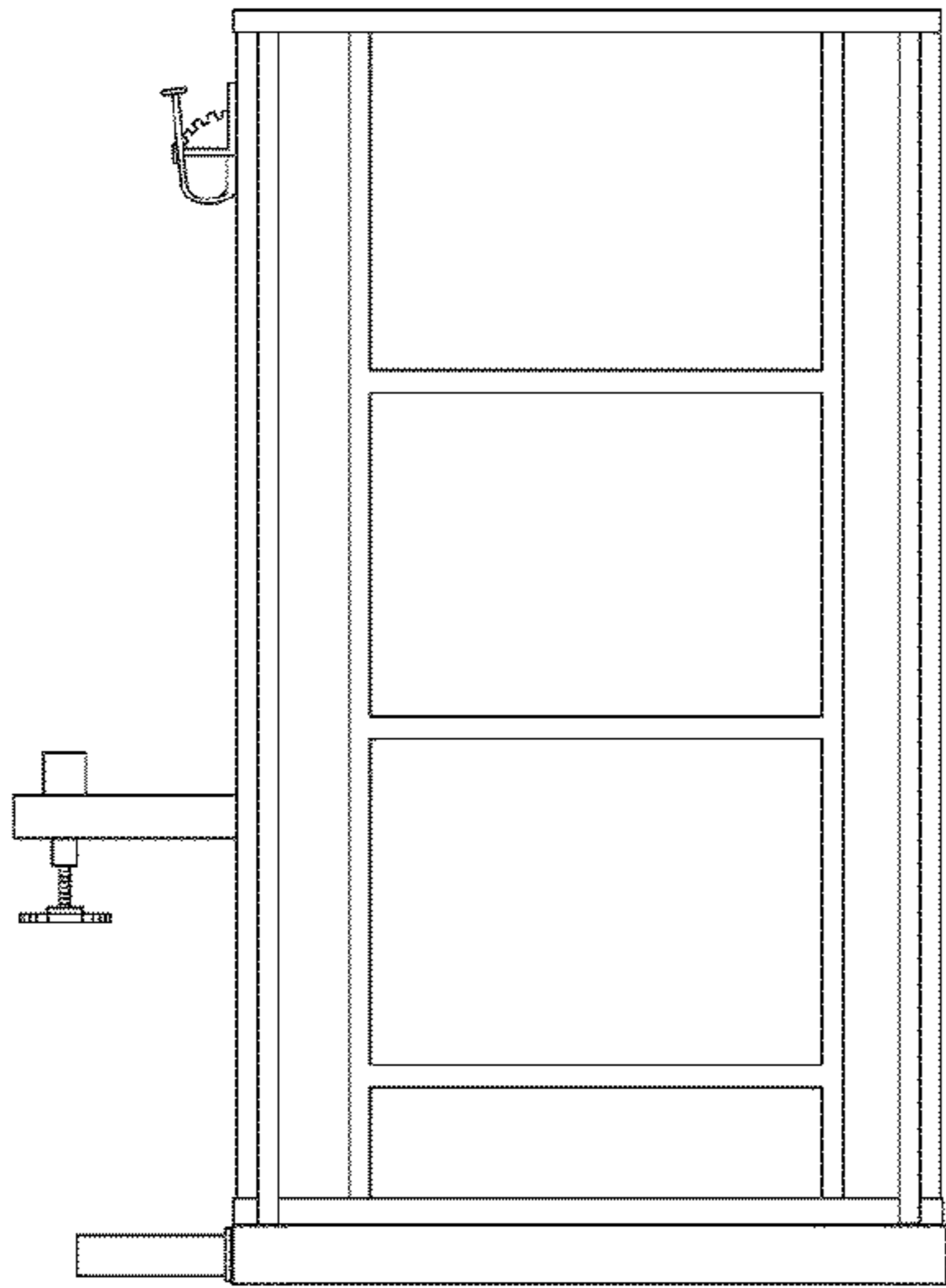


FIG. 6

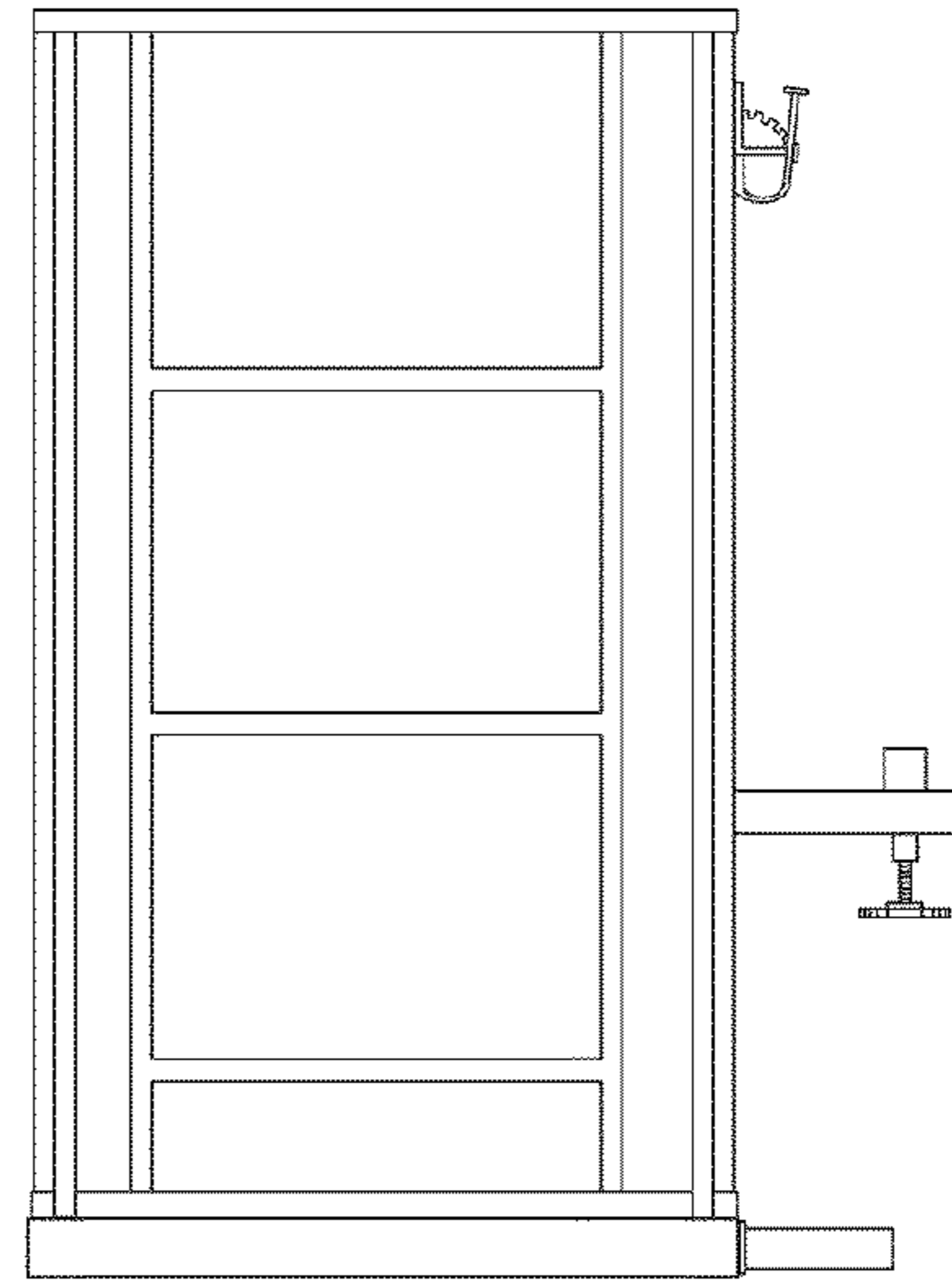


FIG. 7

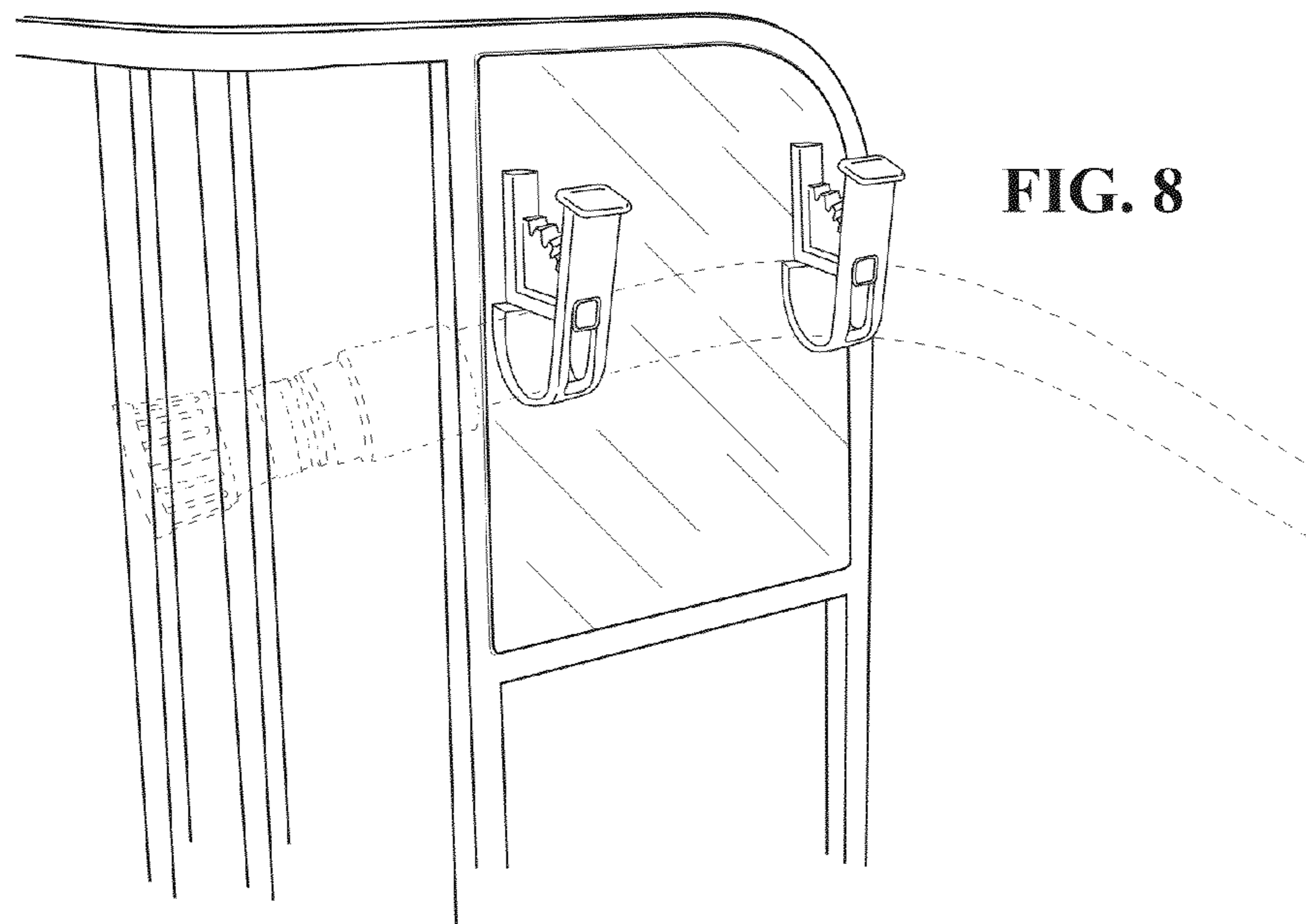


FIG. 8