



US00D725028S

(12) **United States Design Patent**
Kapitan et al.

(10) **Patent No.:** **US D725,028 S**
(45) **Date of Patent:** **** Mar. 24, 2015**

- (54) **AIRSHIP**
- (71) Applicants: **Loginn Kapitan**, Vienna, VA (US); **Ron Hochstetler**, Arlington, VA (US)
- (72) Inventors: **Loginn Kapitan**, Vienna, VA (US); **Ron Hochstetler**, Arlington, VA (US)
- (73) Assignee: **LTA Corporation**, New York, NY (US)
- (**) Term: **14 Years**
- (21) Appl. No.: **29/476,270**
- (22) Filed: **Dec. 12, 2013**
- (51) **LOC (10) Cl.** **12-07**
- (52) **U.S. Cl.**
USPC **D12/323**; D12/325; D12/328
- (58) **Field of Classification Search**
CPC B64B 1/00; B64B 1/005; B64B 1/06;
B64B 1/10; B64B 1/22; B64B 1/30; B64B
1/34; B64B 1/56; B64B 2201/00; A63H
2027/1066
USPC D12/319, 323, 325, 326, 327, 328, 344,
D12/345; D21/440, 441, 443, 447, 450,
D21/451, 453; 244/4 R, 5, 6, 7 A, 7 R, 12.1,
244/12.4, 24, 26, 29, 30, 96, 175;
446/34–36, 46, 57, 225
See application file for complete search history.

(56) **References Cited**

U.S. PATENT DOCUMENTS

4,149,688	A *	4/1979	Miller, Jr.	244/12.4
D307,884	S *	5/1990	Ninkovich	D12/325
D309,887	S *	8/1990	Ninkovich	D12/325
D418,804	S *	1/2000	Glasgow et al.	D12/323
7,156,342	B2 *	1/2007	Heaven et al.	244/30
D583,294	S	12/2008	Balaskovic	
7,866,601	B2 *	1/2011	Balaskovic	244/96
8,109,462	B2 *	2/2012	Balaskovic	244/29
8,297,550	B2 *	10/2012	Balaskovic	244/96
D670,638	S *	11/2012	Goelet	D12/319

2006/0060695	A1 *	3/2006	Walden et al.	244/24
2008/0164370	A1 *	7/2008	Walden et al.	244/30
2009/0314880	A1 *	12/2009	Rawdon et al.	244/30
2011/0163200	A1 *	7/2011	Balaskovic	244/30
2012/0018571	A1 *	1/2012	Goelet	244/30
2012/0248241	A1 *	10/2012	Goelet	244/30
2013/0043353	A1 *	2/2013	Balaskovic	244/175

OTHER PUBLICATIONS

Graham Warwick, Airship Hopeful Reveals Lockheed-Designed Sky Tug, obtained Nov. 21, 2013 at <http://www.aviationweek.com/Blogs.aspx?plckBlogId=Blog%3aa68>, dated Mar. 25, 2013.

Graham Warwick, Aeros Tests Pelican Variable-Buoyancy Airship, <http://www.aviationweek.com/Blogs.aspx?plckBlogId=Blog:27ec4a53-dcc8-42d0-bd3a-0>, dated Jan. 3, 2013.

Northrop Grumman, Long Endurance Multi-Intelligence Vehicle (LEMV), obtained Nov. 21, 2013, <http://www.northropgrumman.com/Capabilities/lemv/>.

(Continued)

Primary Examiner — Martie K Holtje

(74) *Attorney, Agent, or Firm* — Finnegan, Henderson, Farabow, Garrett & Dunner, L.L.P.

(57) **CLAIM**

The ornamental design for a airship, as shown and described.

DESCRIPTION

FIG. 1 is a front perspective view of a airship showing our new design;

FIG. 2 is a front elevation view thereof;

FIG. 3 is a right side view thereof, the left side view being a mirror image thereof;

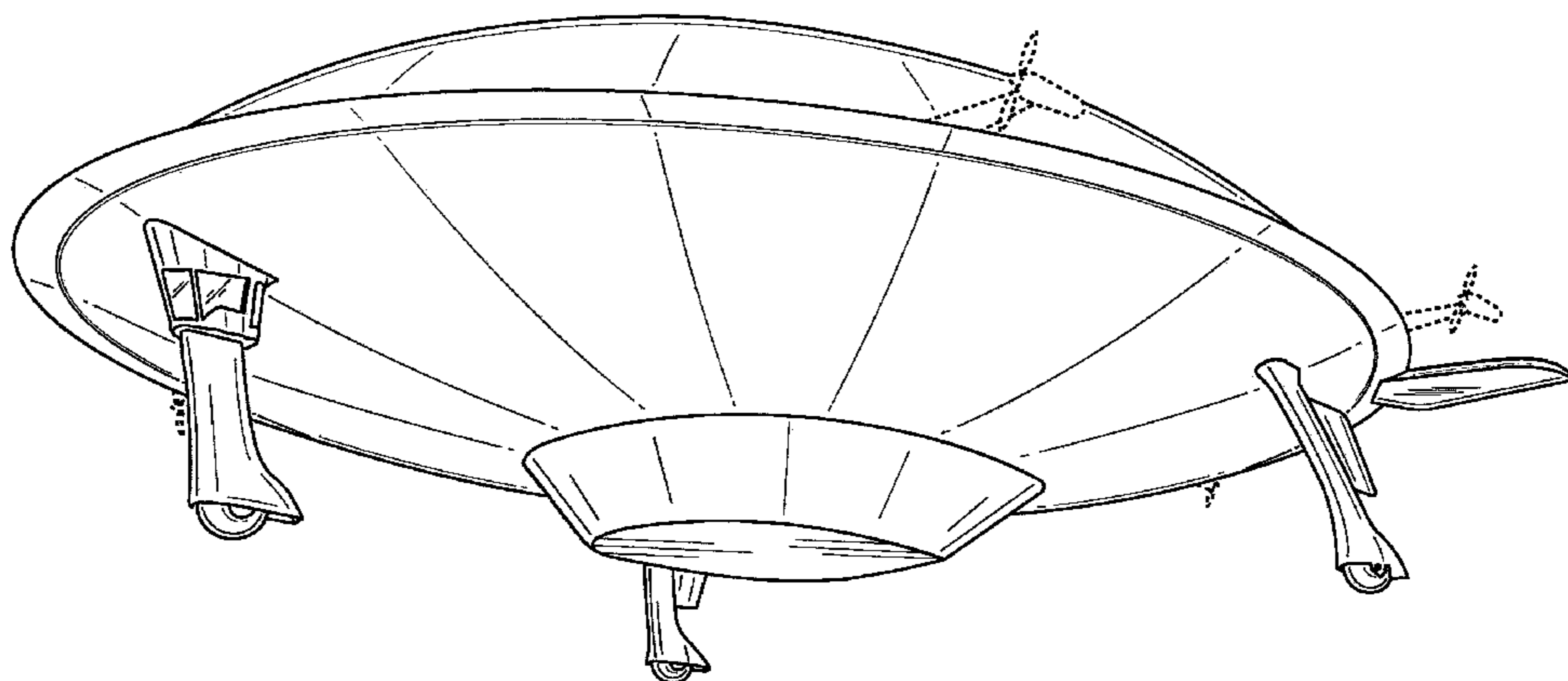
FIG. 4 is a rear view thereof;

FIG. 5 is a top plan view thereof; and,

FIG. 6 is a bottom view thereof.

The structural features depicted by broken lines have been shown for the purpose of illustrating portions of the airship that form no part of the claimed design.

1 Claim, 6 Drawing Sheets



(56)

References Cited

OTHER PUBLICATIONS

Tamir Eshel, Giant Airship is Afloat: Blue Devil 2, obtained Nov. 21, 2013, http://defense-update.com/20111007_giant-airship-is-afloat-blue-devil-2.html, dated Oct. 7, 2011.

Maks 2009—Russian airship industry comes to the next level, obtained Nov. 21, 2013, <http://rosaerosystems.com/news/news25>, copyright 2010.

Aerovehicles:The Product A Hybrid Aircraft, obtained Nov. 21, 2013, <http://www.aerovehicles.net/aerocat/aerocat20.html>.

Aerovehicles: The Product A Rigid Aircraft, obtained Nov. 21, 2013, <http://www.aerovehicles.net/aerocat/aerocatr40.html>.

World's First Practical Airship, obtained Nov. 21, 2013, <http://www.dynalifter.com>, copyright 2012.

Welcome to VariaLift Airships, obtained Nov. 21, 2013, <http://www.varialift.com>, copyright 2013.

Lokomosky-News, obtained Nov. 21, 2013, <http://www.locomosky.ru/en/presscenter/news/58/>, dated Aug. 22, 2009.

Hybrid Air Vehicles: Aircraft, obtained Nov. 21, 2013, <http://www.hybridairvehicles.com/aircraft.aspx>, copyright 2013.

* cited by examiner

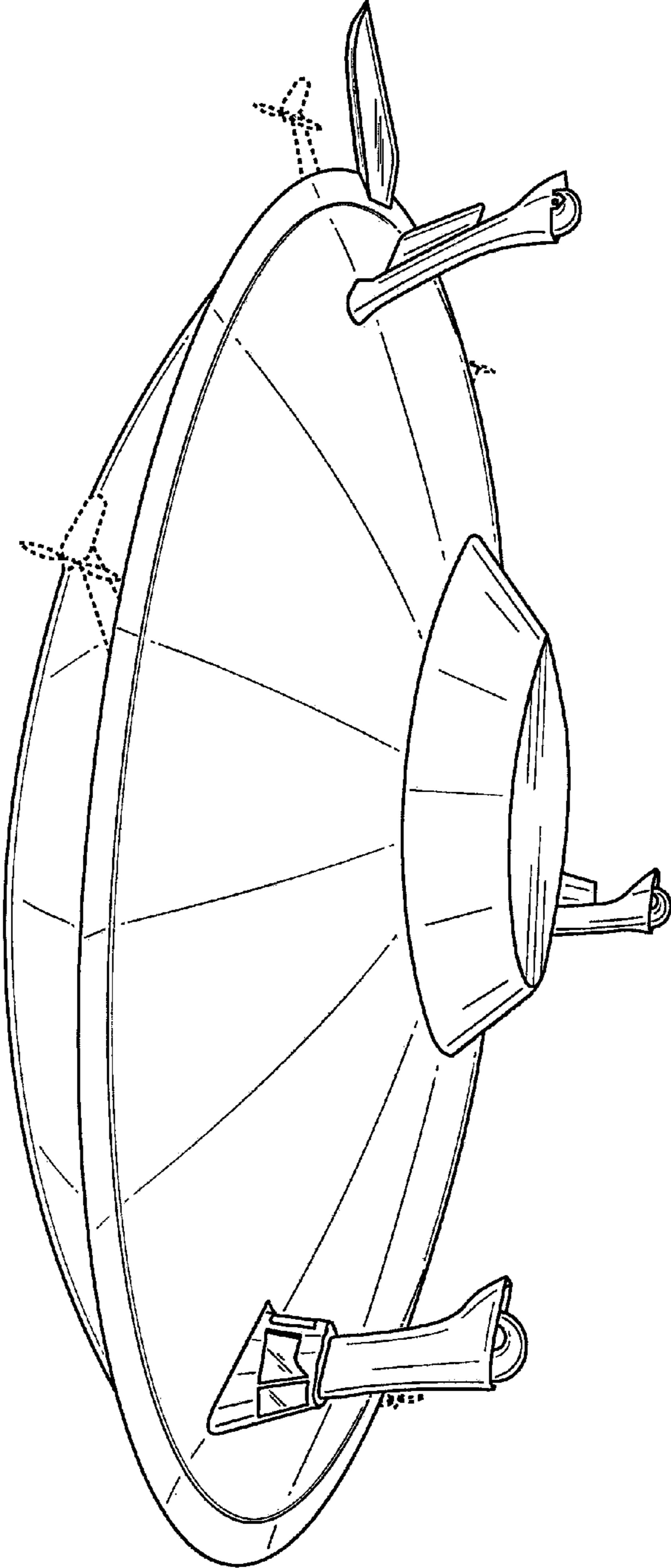


FIG. 1

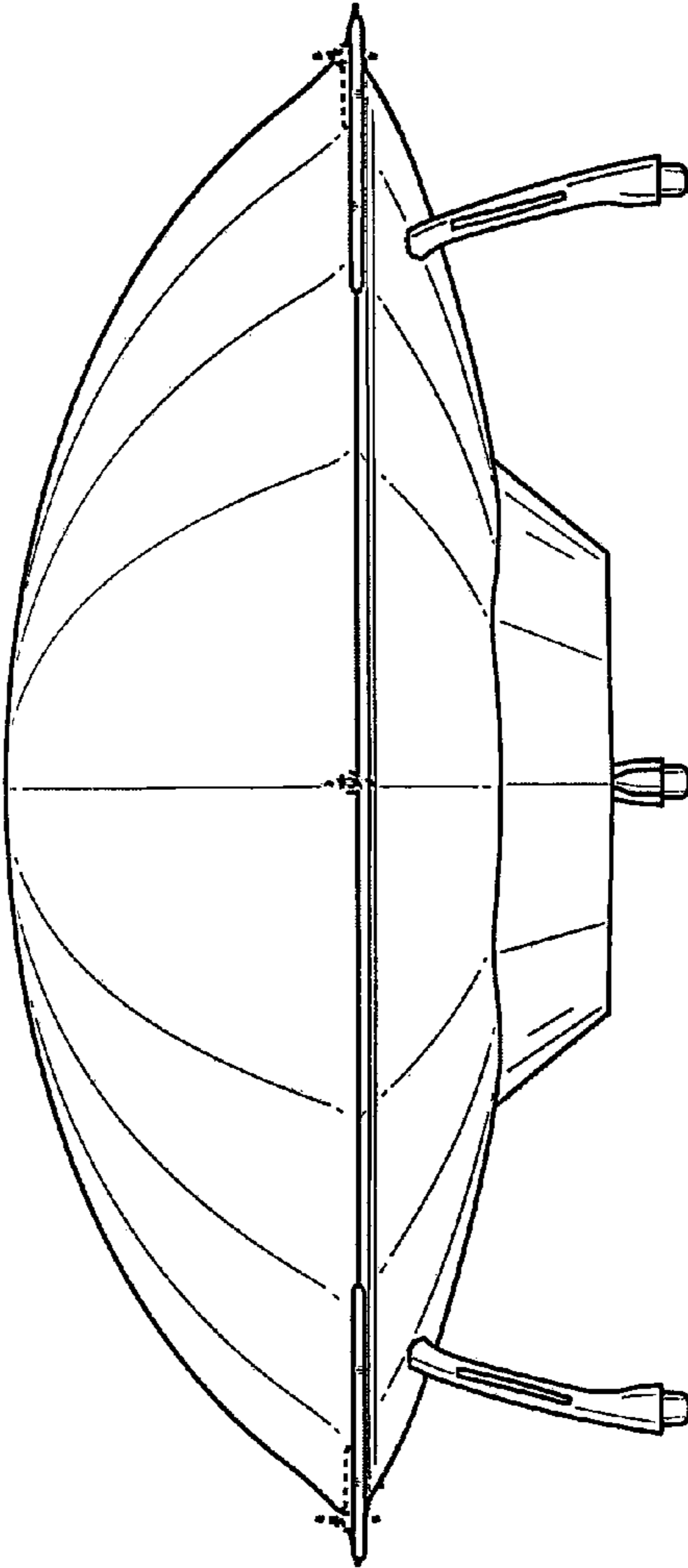


FIG. 2

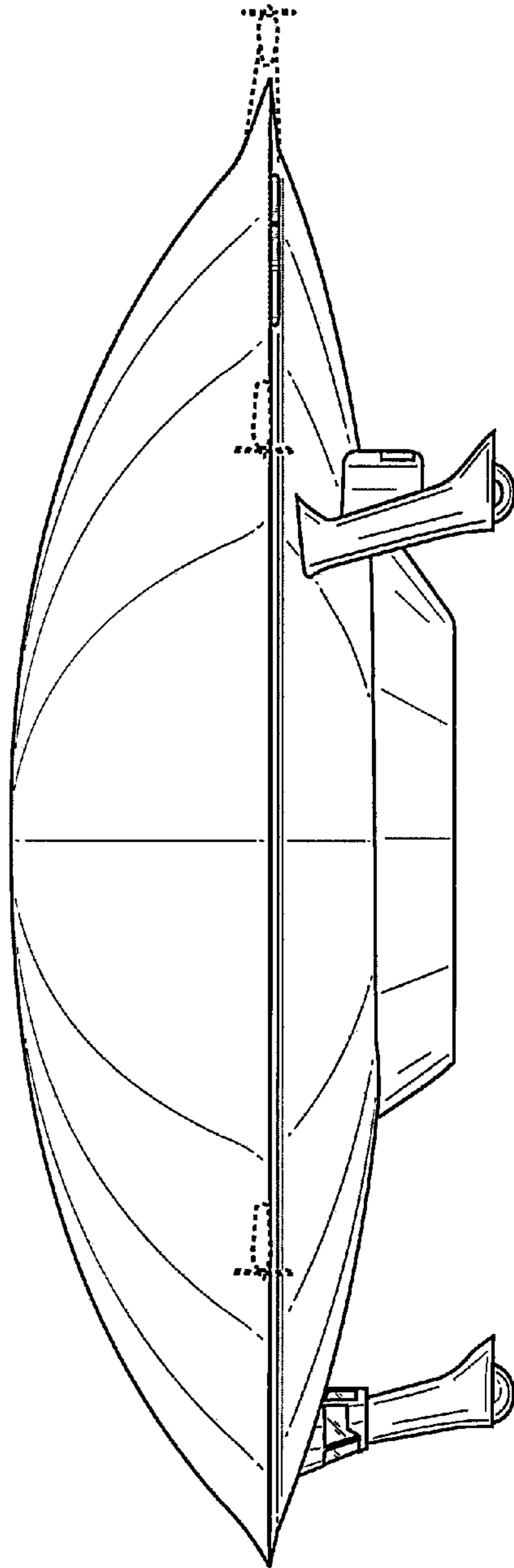


FIG. 3

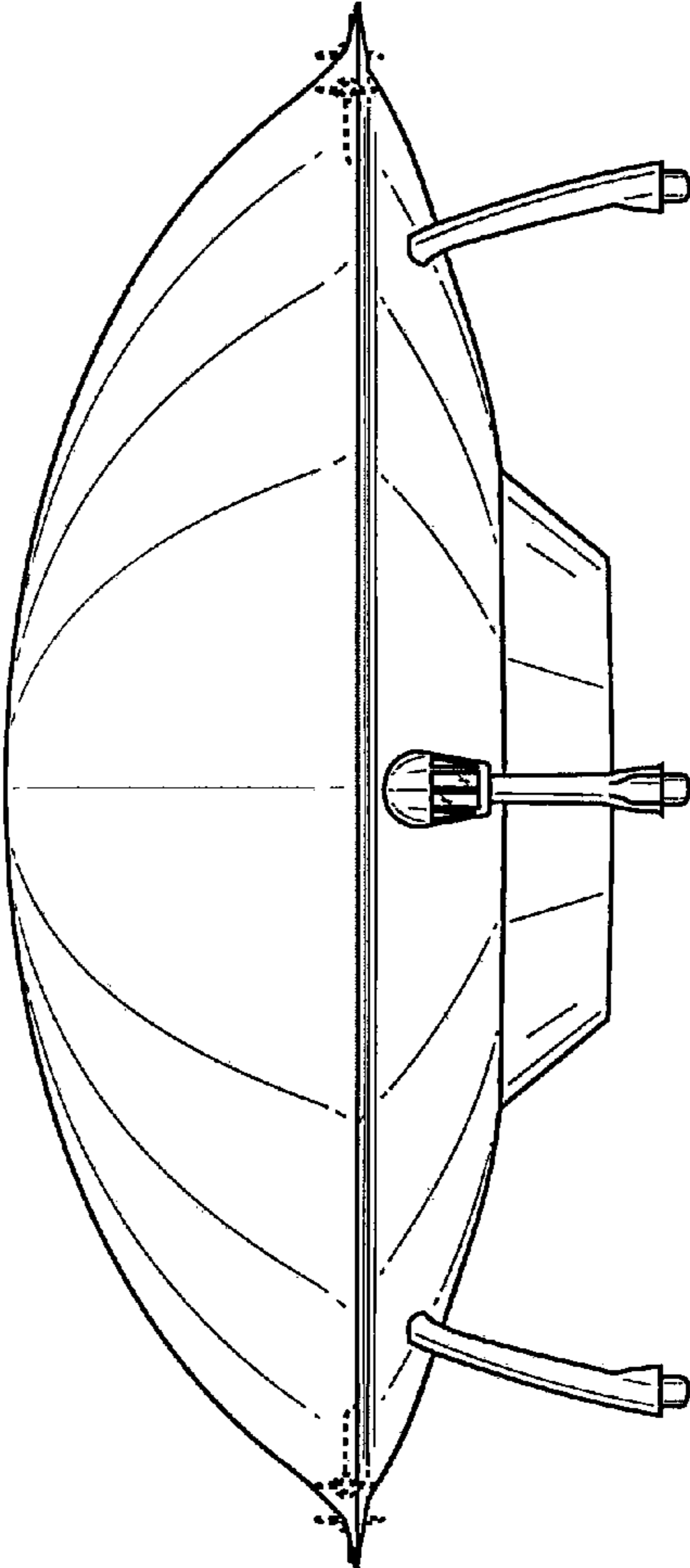


FIG. 4

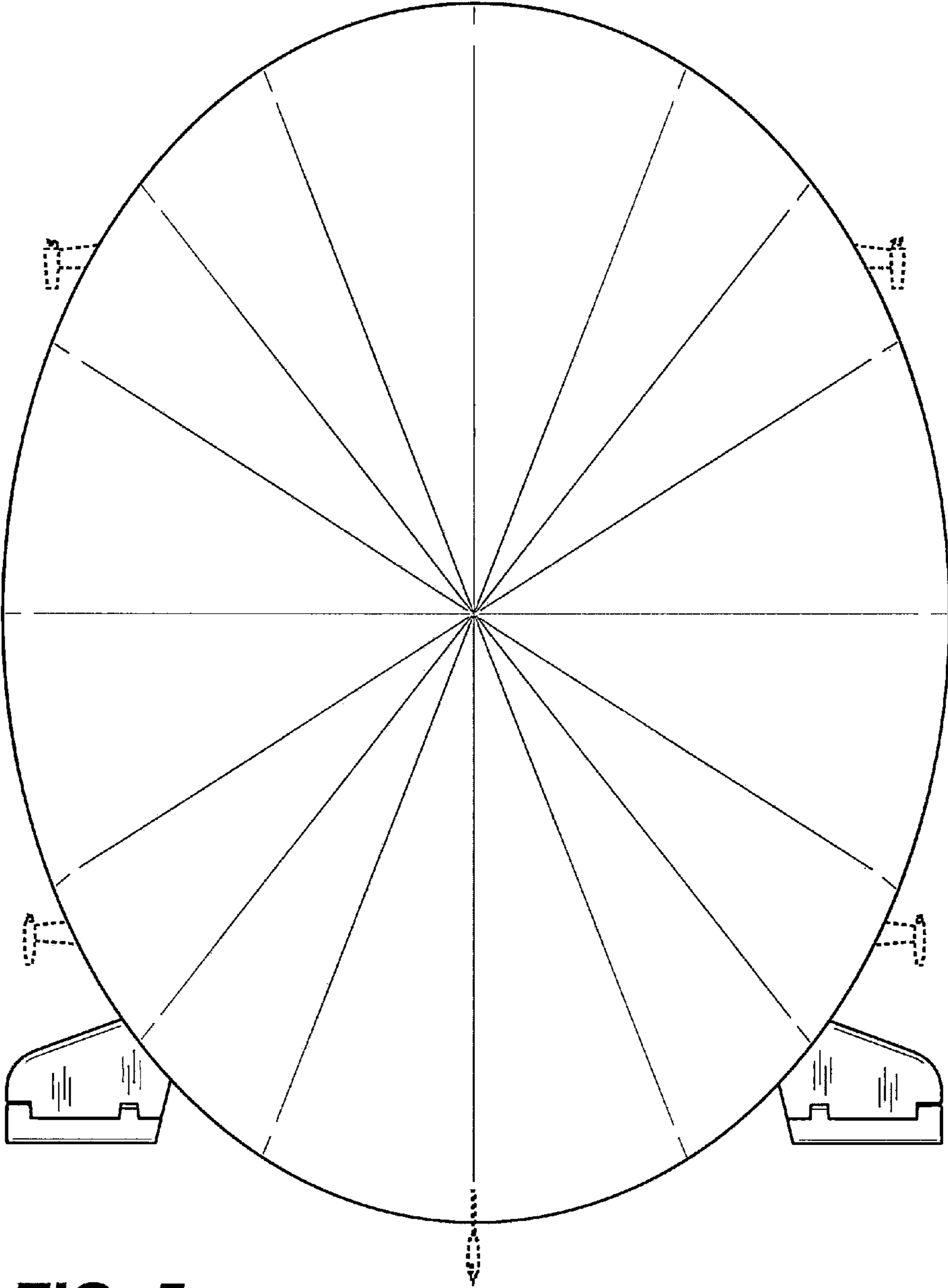


FIG. 5

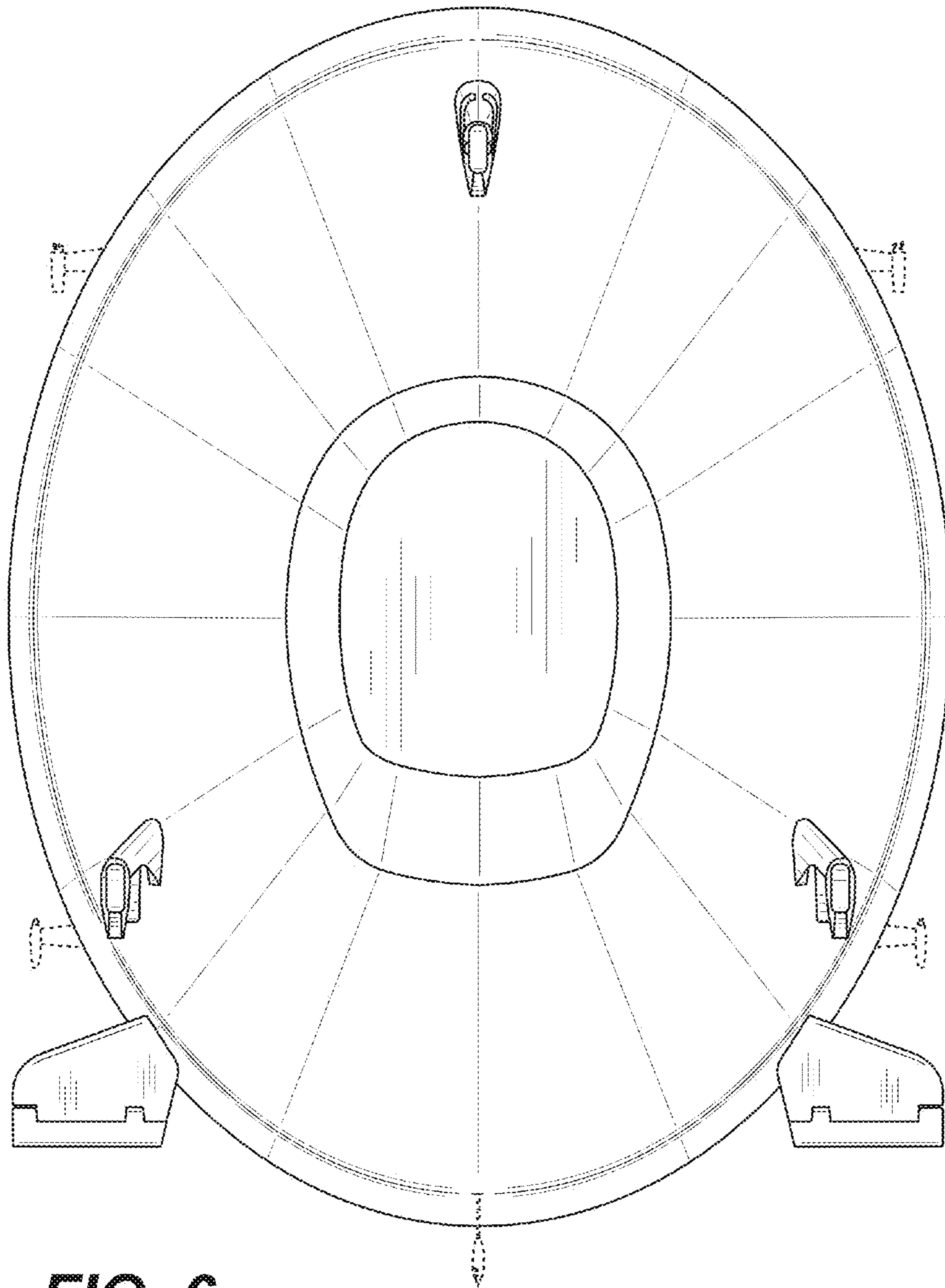


FIG. 6