



US00D725027S

(12) **United States Design Patent**
Poton

(10) **Patent No.:** **US D725,027 S**
(45) **Date of Patent:** **** Mar. 24, 2015**

(54) **WIPER BLADE**

15/250.38, 250.201, 250.451, 250.458,
15/250.04, 250.07, 250.44

(71) Applicant: **Valeo Systemes d'Essuyage**, La Verrière
(FR)

See application file for complete search history.

(72) Inventor: **Eric Poton**, Pont du Château (FR)

(56) **References Cited**

(73) Assignee: **Valeo Systemes d'Essuyage**, La Verriere
(FR)

U.S. PATENT DOCUMENTS

(**) Term: **14 Years**

7,451,520	B2 *	11/2008	Weiler et al.	15/250.201
7,461,429	B2 *	12/2008	Huang	15/250.43
D608,717	S *	1/2010	Aglassinger	D12/220
D609,159	S *	2/2010	Aglassinger	D12/220
D610,518	S *	2/2010	Aglassinger	D12/220
D610,519	S *	2/2010	Aglassinger	D12/220
D706,704	S *	6/2014	An	D12/219
2014/0215747	A1 *	8/2014	Yang et al.	15/250.32
2014/0259504	A1 *	9/2014	Piotrowski et al.	15/250.32
2014/0259505	A1 *	9/2014	Fournier et al.	15/250.32
2014/0317875	A1 *	10/2014	Tolentino et al.	15/250.32

(21) Appl. No.: **29/508,256**

(22) Filed: **Nov. 4, 2014**

Related U.S. Application Data

(62) Division of application No. 29/470,546, filed on Oct.
22, 2013.

* cited by examiner

Primary Examiner — Katrina A Betton

(30) **Foreign Application Priority Data**

(74) *Attorney, Agent, or Firm* — Buchanan Ingersoll &
Rooney PC

Apr. 22, 2013	(EM)	002224824-0001
Apr. 22, 2013	(EM)	002224824-0002
Apr. 22, 2013	(EM)	002224824-0003
Apr. 22, 2013	(EM)	002224824-0004
Apr. 22, 2013	(EM)	002224824-0005
Apr. 22, 2013	(EM)	002224824-0006
Apr. 22, 2013	(EM)	002224824-0007
Apr. 22, 2013	(EM)	002224824-0008

(57) **CLAIM**

The ornamental design for a wiper blade, as shown and
described.

(51) **LOC (10) Cl.** **12-06**

(52) **U.S. Cl.**
USPC **D12/220**

DESCRIPTION

(58) **Field of Classification Search**
USPC D12/219–220; 15/246, 247, 250.001,
15/250.4, 250.361, 250.19, 250.48,
15/250.03, 250.31–250.33, 250.351,

FIG. 1 is a perspective view of a wiper blade showing my new
design.

FIG. 2 is a bottom view thereof.

FIG. 3 is a rear view thereof.

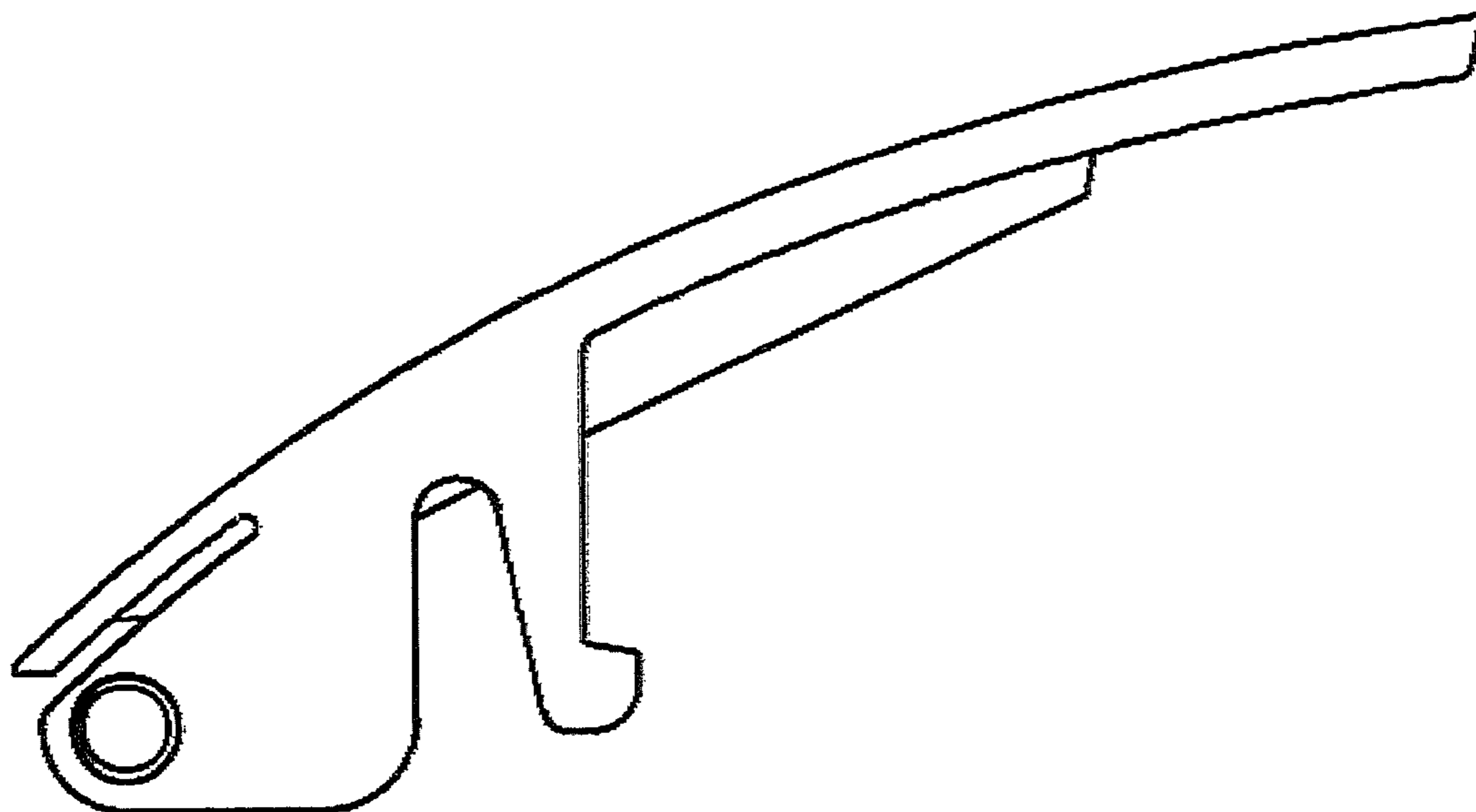
FIG. 4 is a right side view thereof.

FIG. 5 is a front view thereof.

FIG. 6 is a left side view thereof; and,

FIG. 7 is a top view thereof.

1 Claim, 7 Drawing Sheets



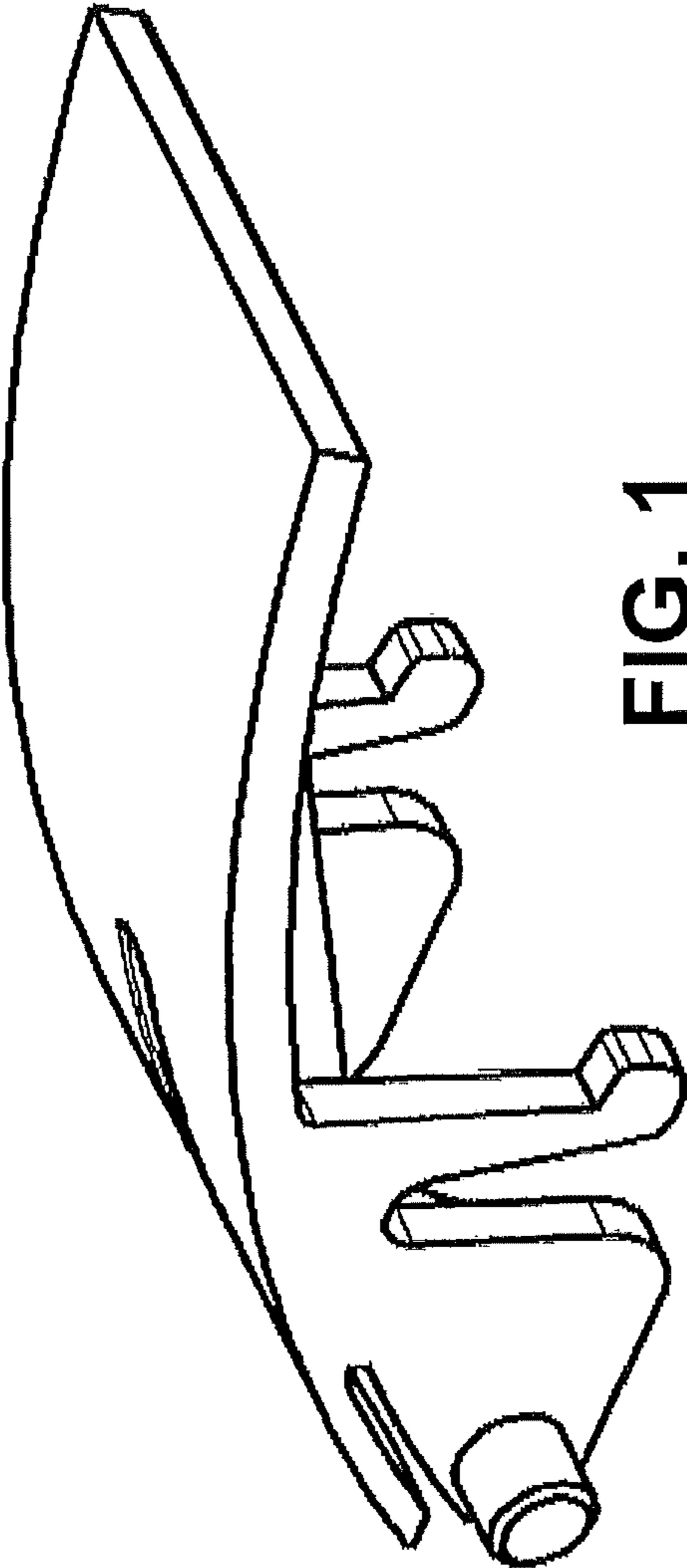


FIG. 1

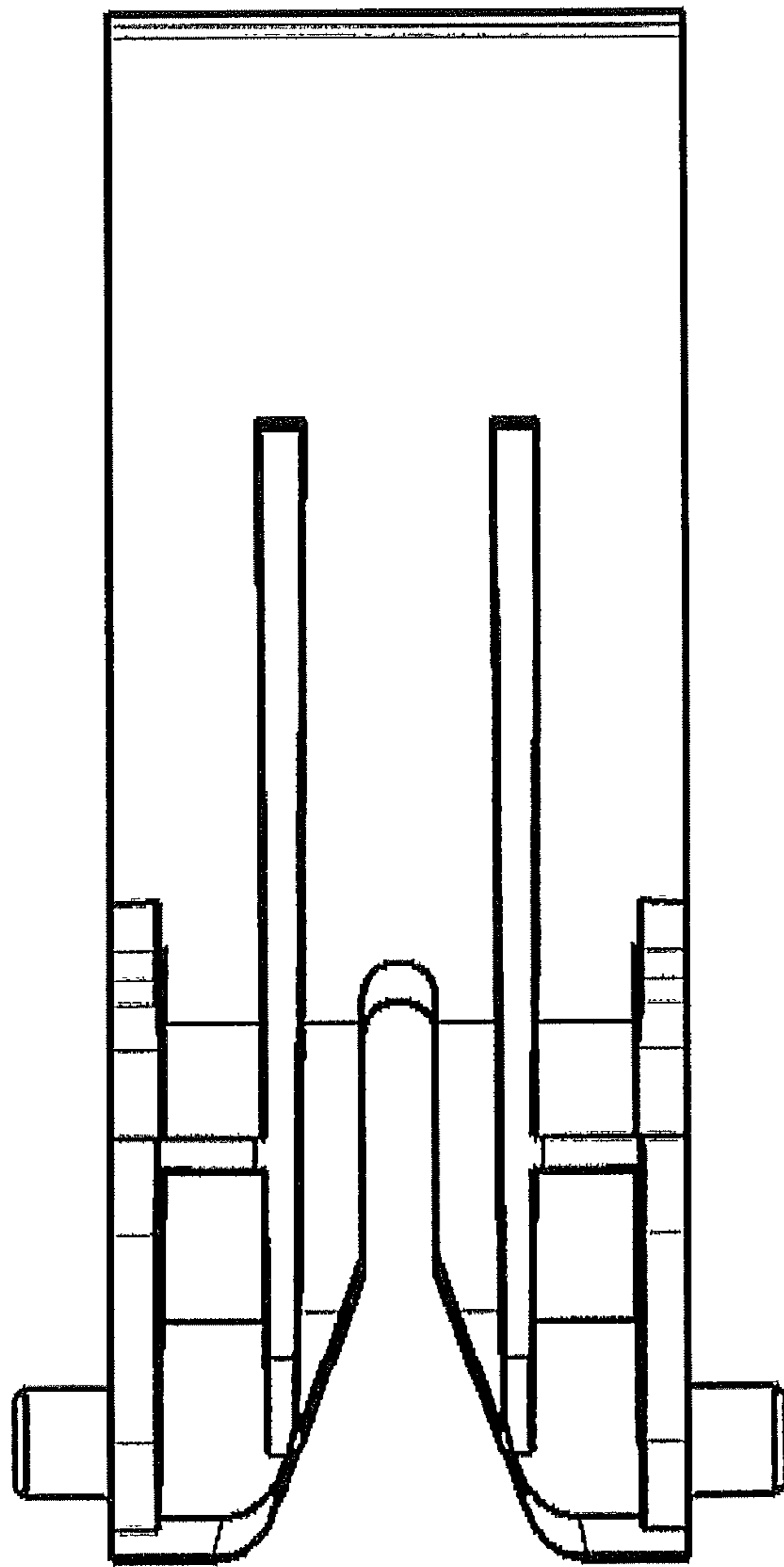


FIG. 2

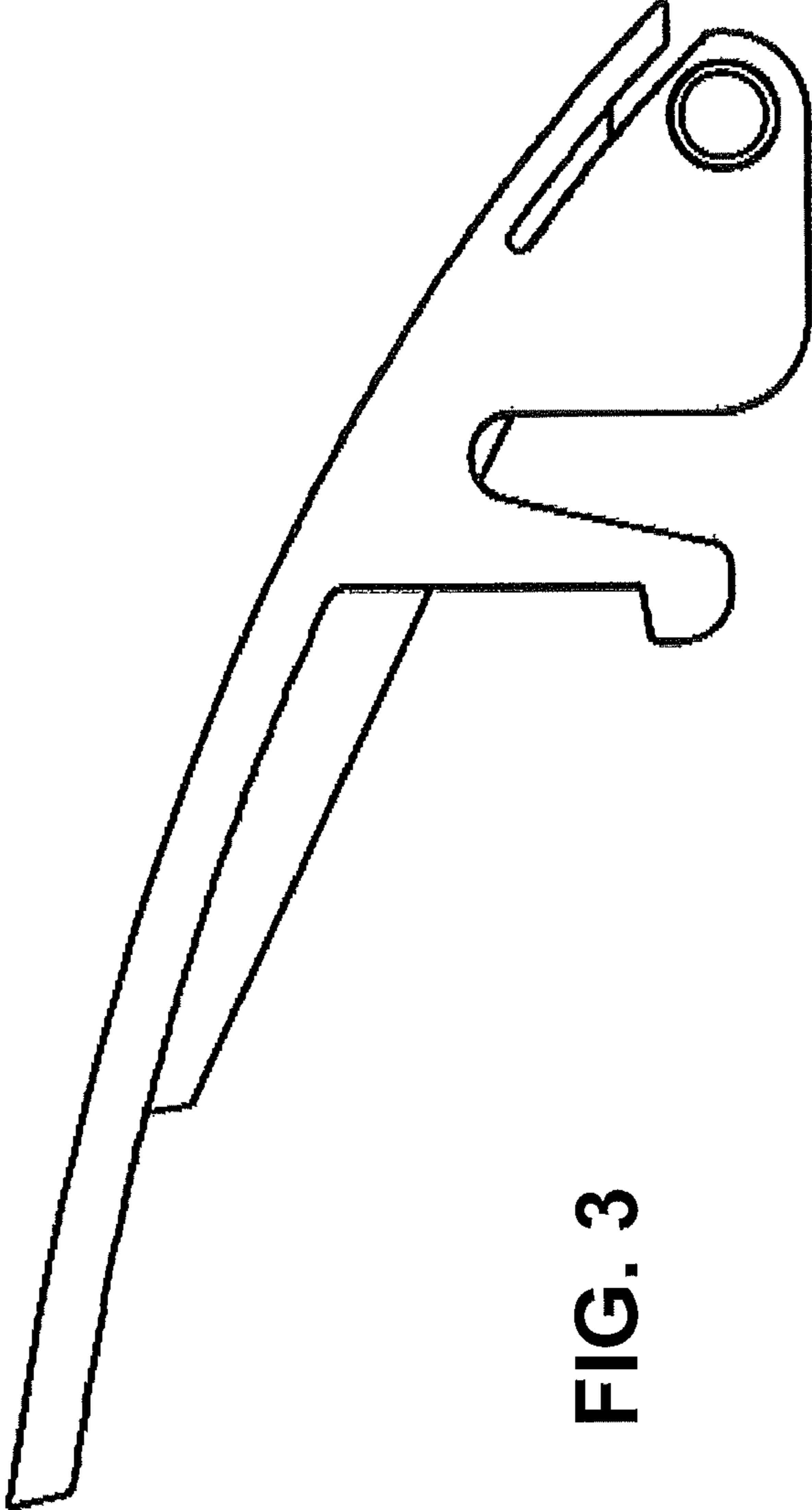


FIG. 3

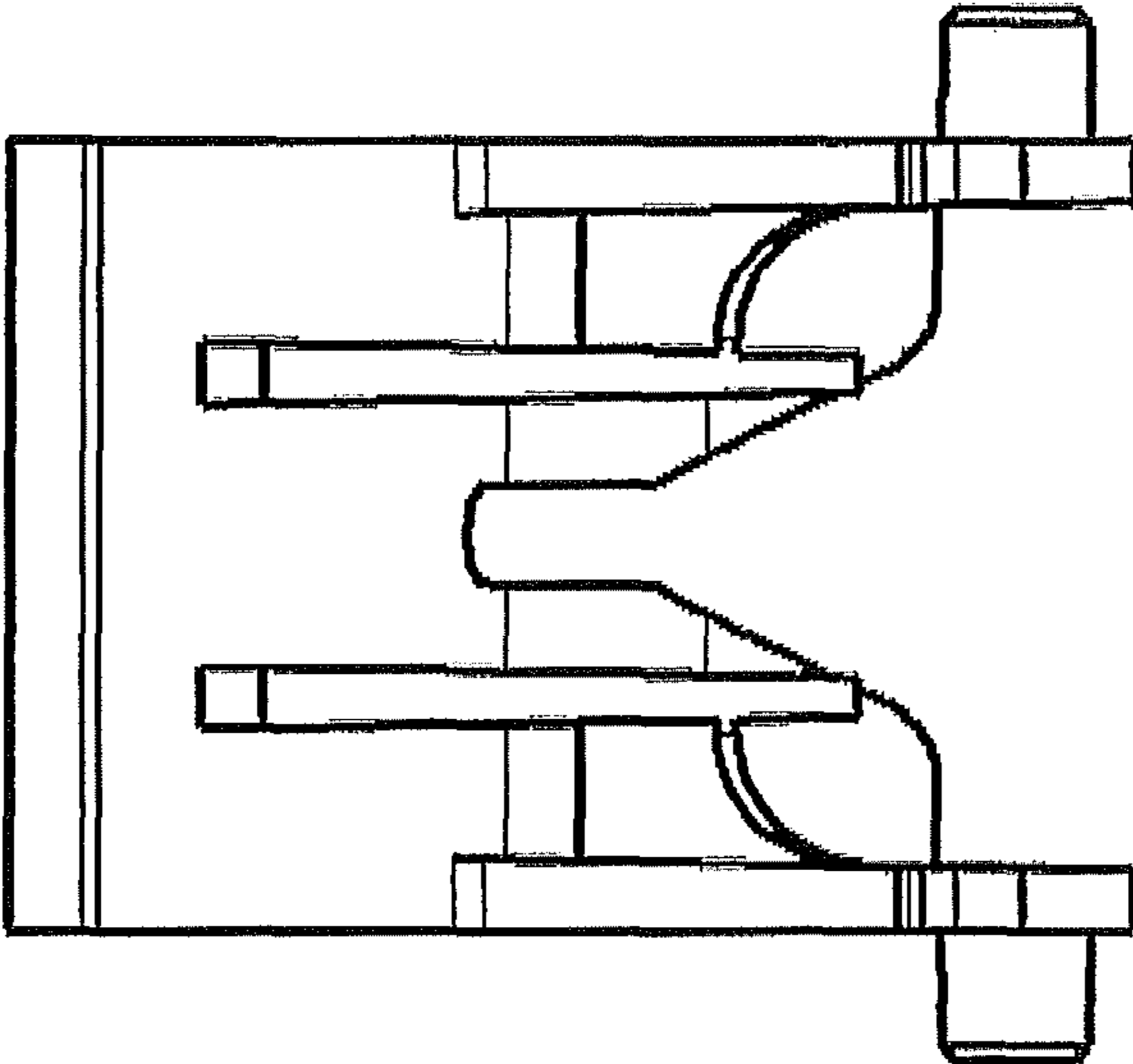


FIG. 4

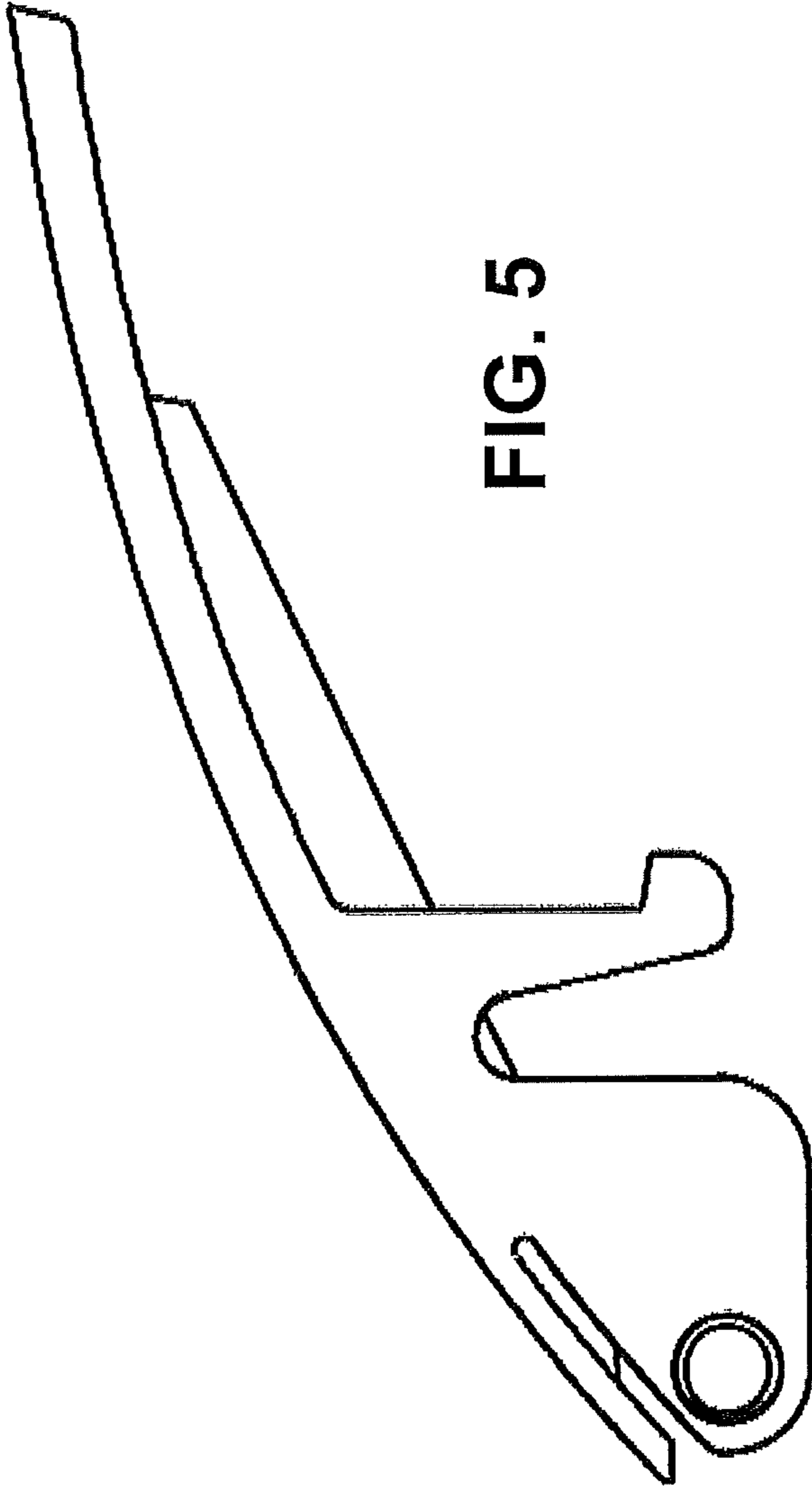


FIG. 5

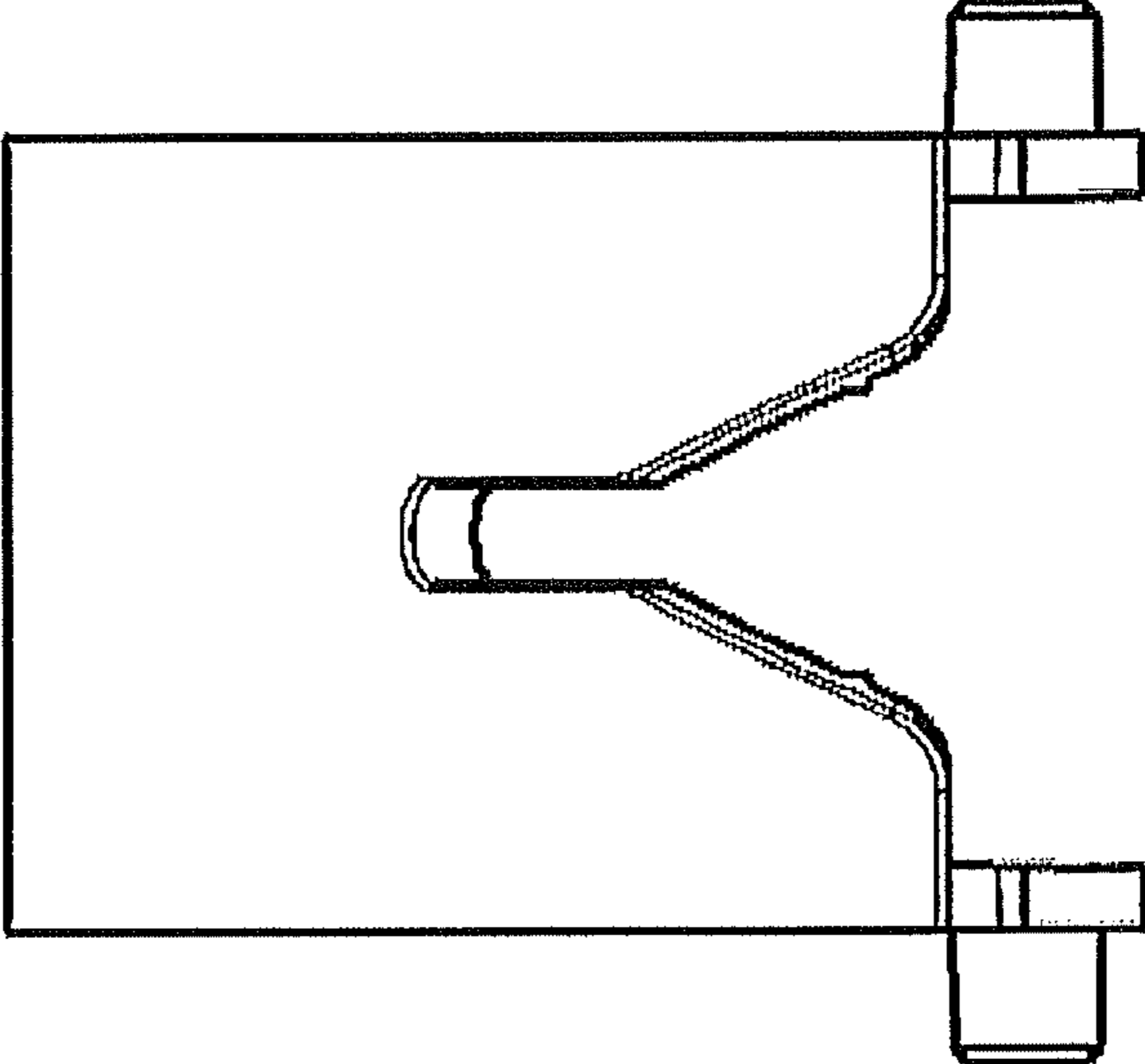


FIG. 6

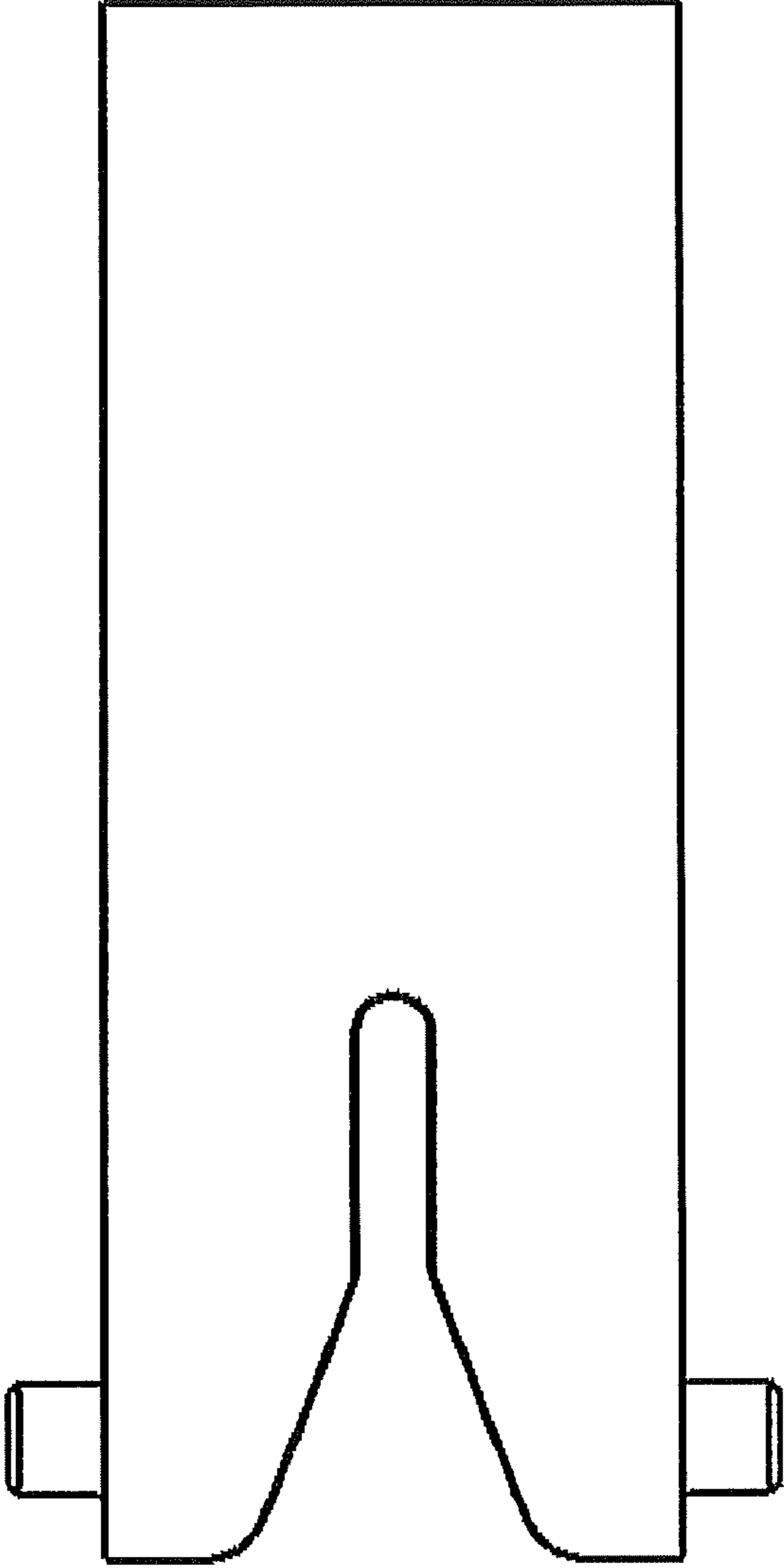


FIG. 7