



US00D725025S

(12) **United States Design Patent**
Poton

(10) **Patent No.:** **US D725,025 S**
(45) **Date of Patent:** **** Mar. 24, 2015**

(54) **WIPER BLADE**

15/250.38, 250.201, 250.451, 250.458,
15/250.04, 250.07, 250.44

(71) Applicant: **Valeo Systemes d'Essuyage**, La Verrière
(FR)

See application file for complete search history.

(72) Inventor: **Eric Poton**, Pont du Château (FR)

(56) **References Cited**

(73) Assignee: **Valeo Systemes d'Essuyage**, La Verriere
(FR)

U.S. PATENT DOCUMENTS

(**) Term: **14 Years**

(21) Appl. No.: **29/508,251**

| | | | | |
|--------------|------|---------|------------------------|------------|
| 7,451,520 | B2 * | 11/2008 | Weiler et al. | 15/250.201 |
| 7,461,429 | B2 * | 12/2008 | Huang | 15/250.43 |
| D608,717 | S * | 1/2010 | Aglassinger | D12/220 |
| D609,159 | S * | 2/2010 | Aglassinger | D12/220 |
| D610,518 | S * | 2/2010 | Aglassinger | D12/220 |
| D610,519 | S * | 2/2010 | Aglassinger | D12/220 |
| D706,704 | S * | 6/2014 | An | D12/219 |
| 2014/0215747 | A1 * | 8/2014 | Yang et al. | 15/250.32 |
| 2014/0259504 | A1 * | 9/2014 | Piotrowski et al. | 15/250.32 |
| 2014/0259505 | A1 * | 9/2014 | Fournier et al. | 15/250.32 |
| 2014/0317875 | A1 * | 10/2014 | Tolentino et al. | 15/250.32 |

(22) Filed: **Nov. 4, 2014**

Related U.S. Application Data

(62) Division of application No. 29/470,546, filed on Oct.
22, 2013.

* cited by examiner

Primary Examiner — Katrina A Betton

(30) **Foreign Application Priority Data**

(74) *Attorney, Agent, or Firm* — Buchanan Ingersoll &
Rooney PC

| | | |
|---------------|------------|----------------|
| Apr. 22, 2013 | (EM) | 002224824-0001 |
| Apr. 22, 2013 | (EM) | 002224824-0002 |
| Apr. 22, 2013 | (EM) | 002224824-0003 |
| Apr. 22, 2013 | (EM) | 002224824-0004 |
| Apr. 22, 2013 | (EM) | 002224824-0005 |
| Apr. 22, 2013 | (EM) | 002224824-0006 |
| Apr. 22, 2013 | (EM) | 002224824-0007 |
| Apr. 22, 2013 | (EM) | 002224824-0008 |

(57) **CLAIM**

The ornamental design for a wiper blade, as shown and
described.

(51) **LOC (10) Cl.** **12-06**

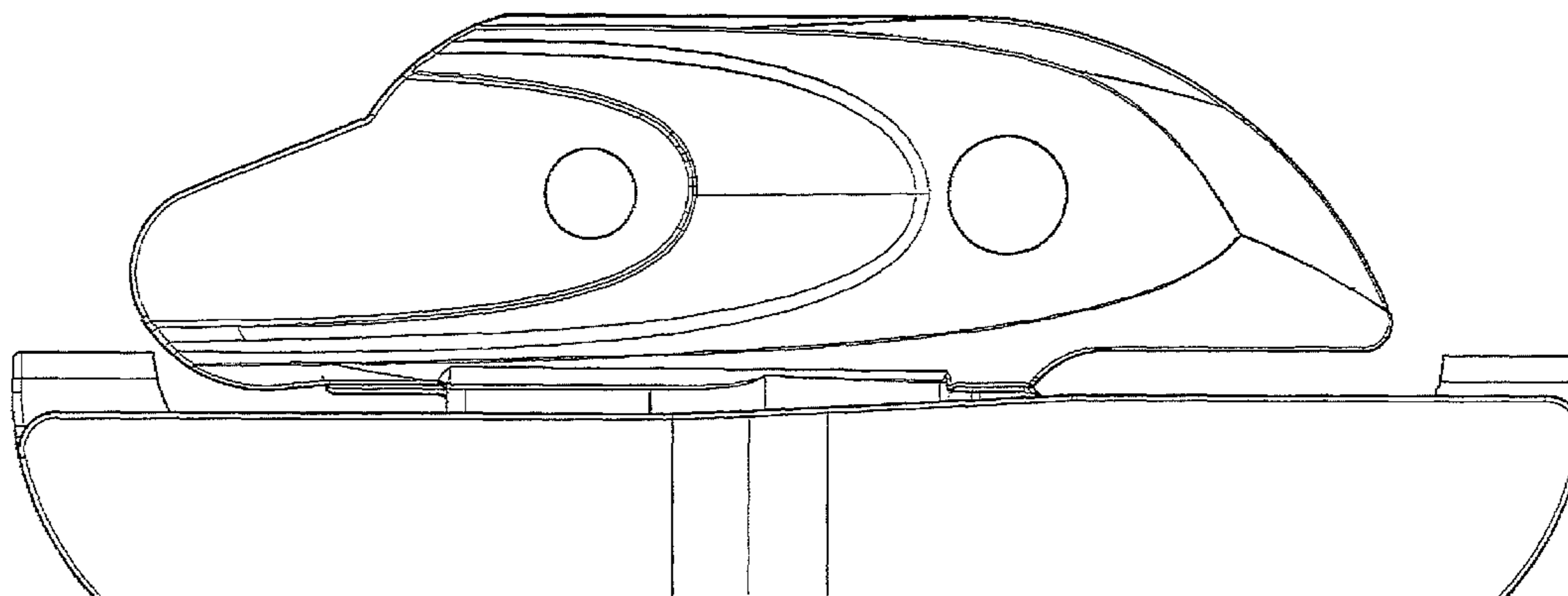
(52) **U.S. Cl.**
USPC **D12/220**

DESCRIPTION

(58) **Field of Classification Search**
USPC D12/219–220; 15/246, 247, 250.001,
15/250.4, 250.361, 250.19, 250.48,
15/250.03, 250.31–250.33, 250.351,

FIG. 1 is a perspective view of a wiper blade showing my new
design.
FIG. 2 is a bottom view thereof.
FIG. 3 is a rear view thereof.
FIG. 4 is a right side view thereof.
FIG. 5 is a front view thereof.
FIG. 6 is a left side view thereof; and,
FIG. 7 is a top view thereof.

1 Claim, 7 Drawing Sheets



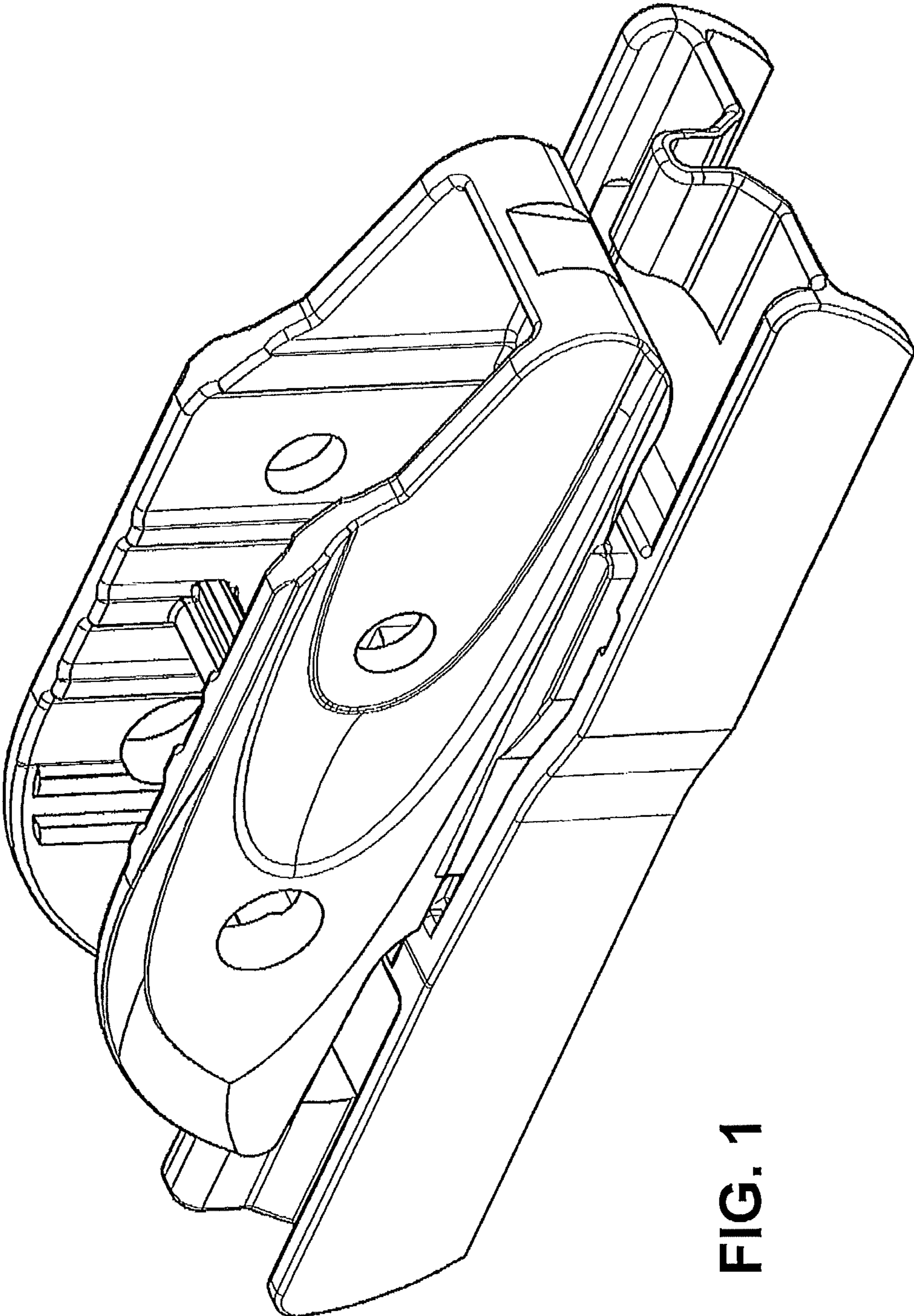


FIG. 1

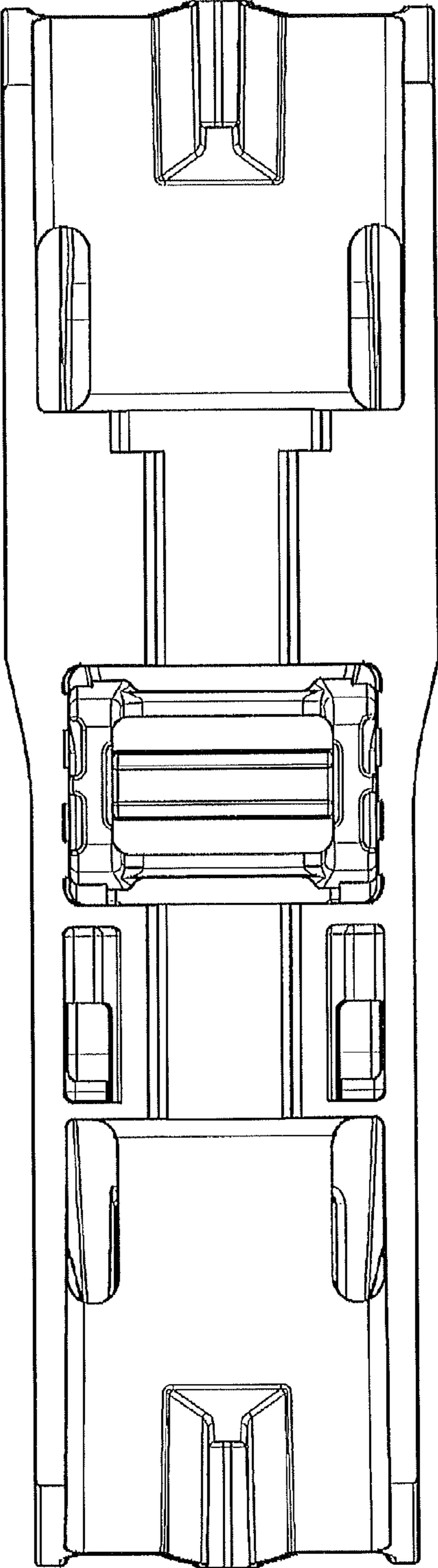


FIG. 2

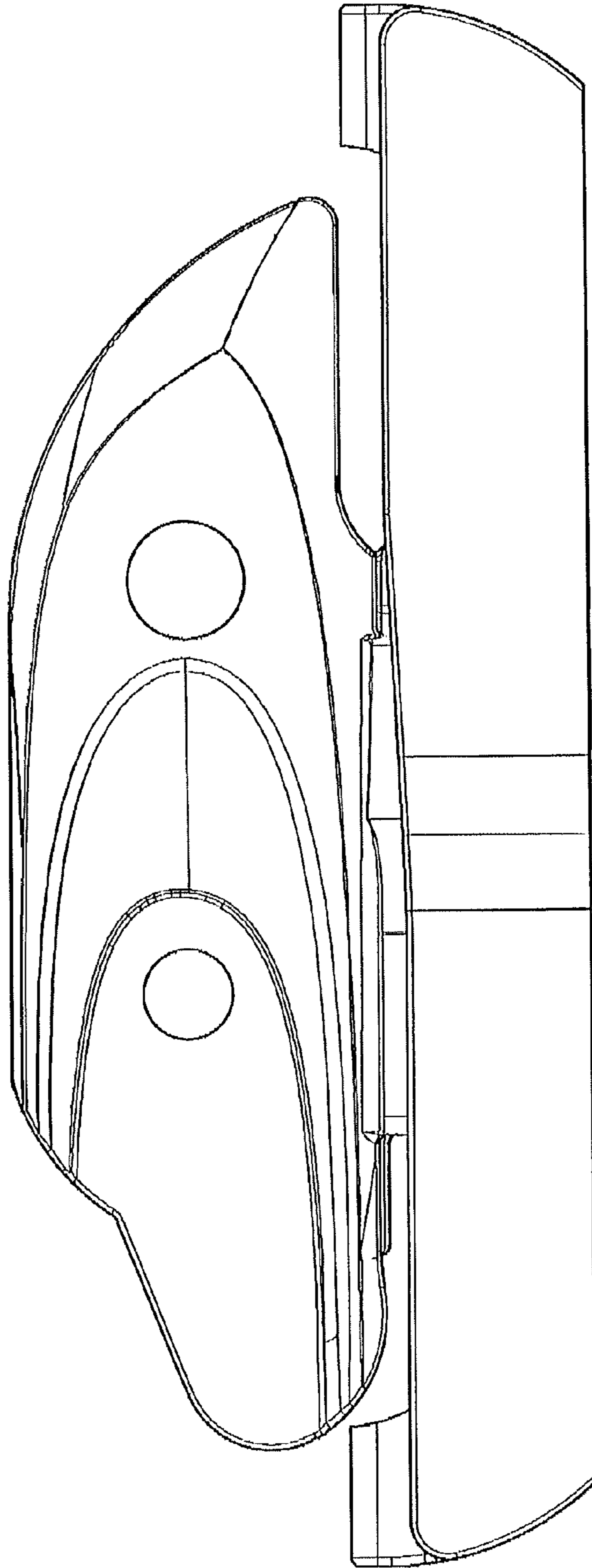


FIG. 3

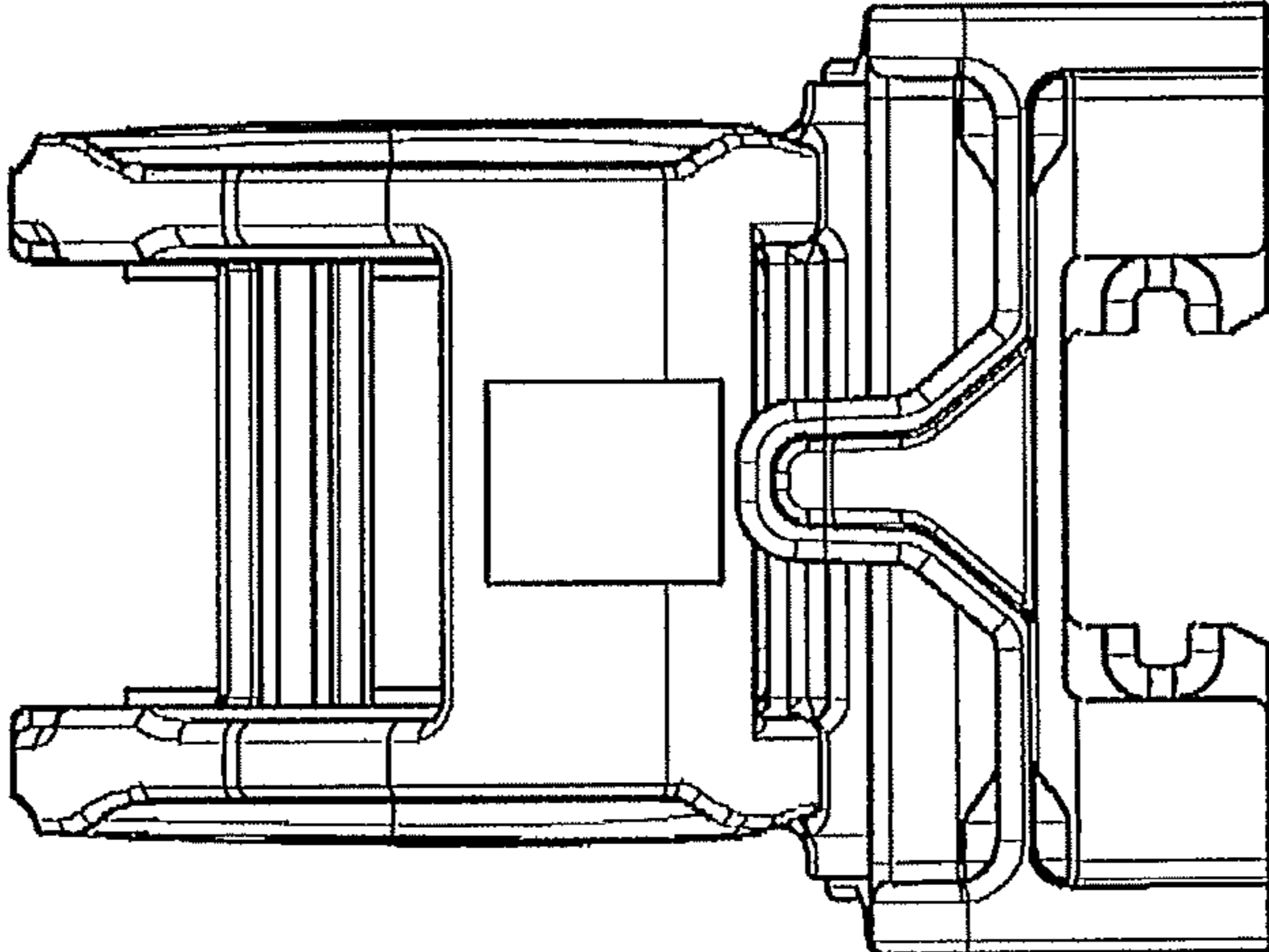


FIG. 4

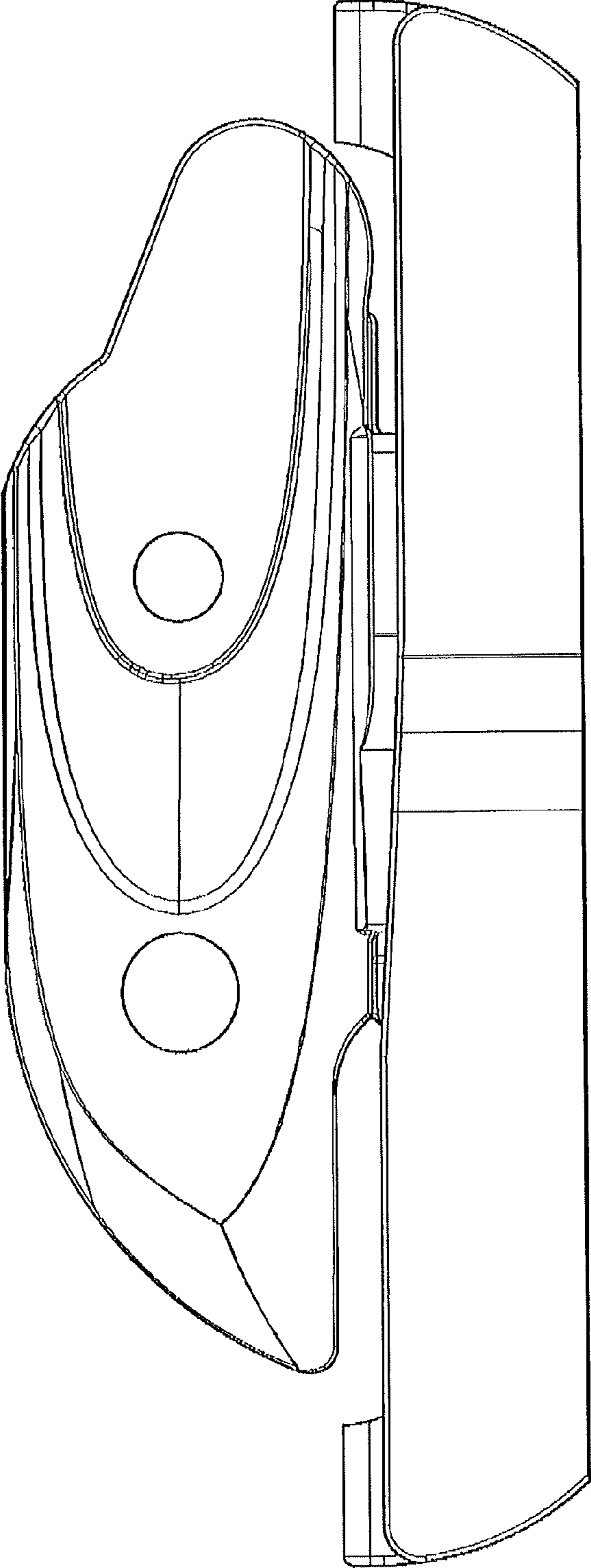


FIG. 5

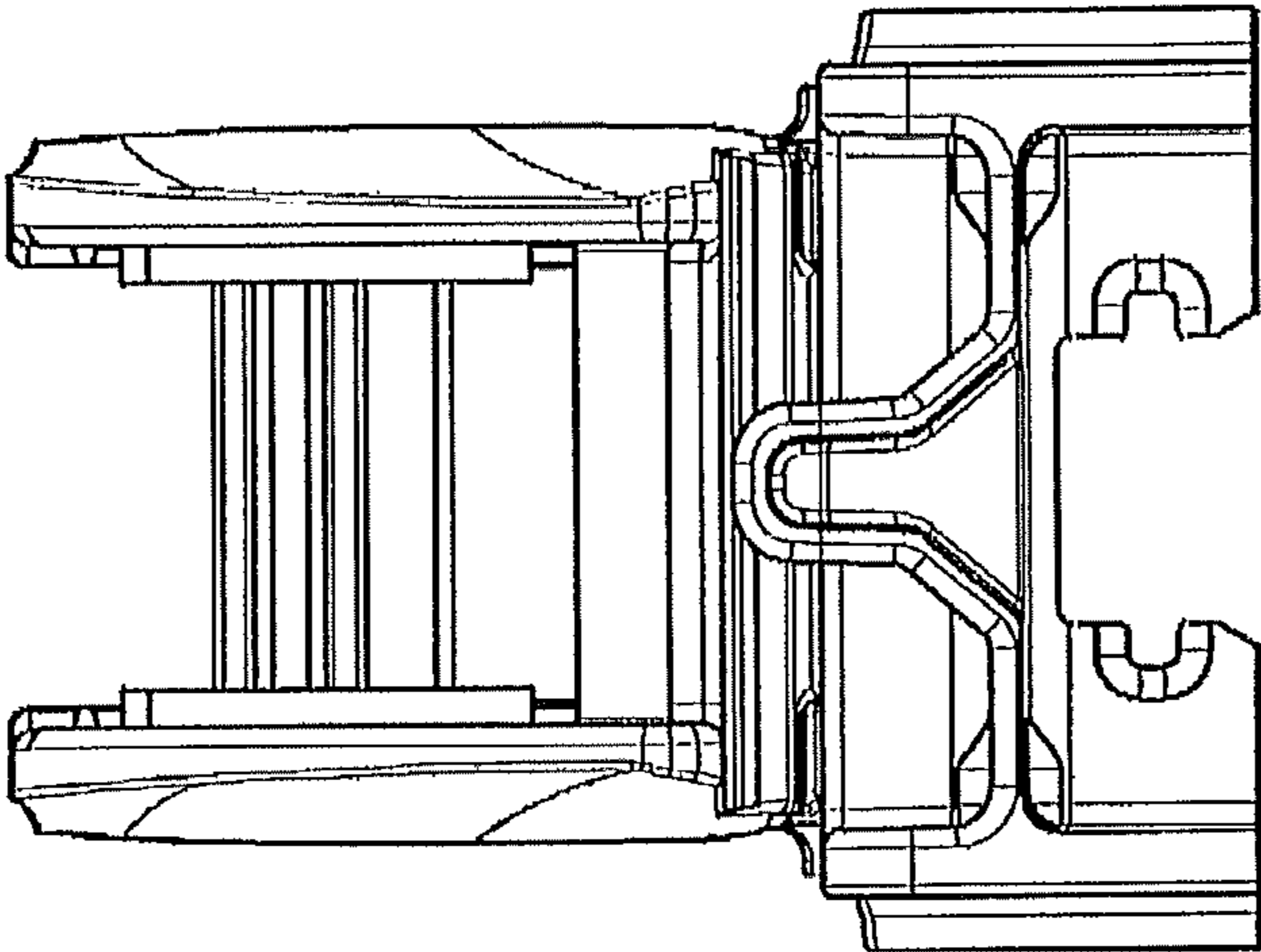


FIG. 6

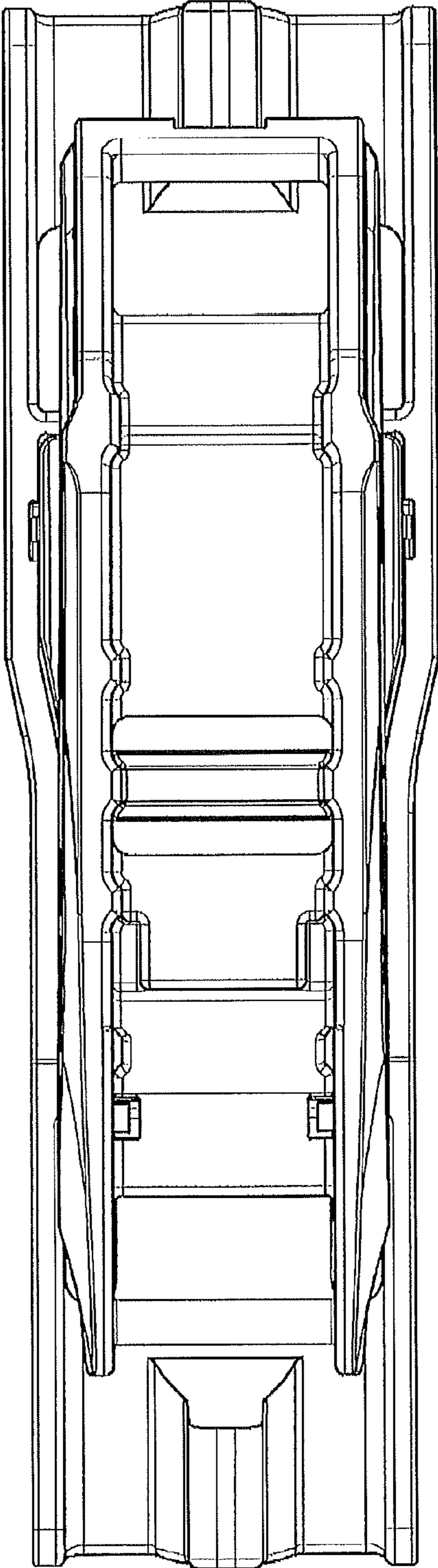


FIG. 7