

US00D725021S

(12) **United States Design Patent**  
**Poton**

(10) **Patent No.:** **US D725,021 S**

(45) **Date of Patent:** **\*\* Mar. 24, 2015**

(54) **WIPER BLADE**

(71) Applicant: **Valeo Systemes d'Essuyage, La Verrière (FR)**

(72) Inventor: **Eric Poton, Pont du Château (FR)**

(73) Assignee: **Valeo Systemes d'Essuyage, La Verrière (FR)**

(\*\*) Term: **14 Years**

(21) Appl. No.: **29/470,546**

(22) Filed: **Oct. 22, 2013**

(30) **Foreign Application Priority Data**

Apr. 22, 2013	(EM)	002224824-0001
Apr. 22, 2013	(EM)	002224824-0002
Apr. 22, 2013	(EM)	002224824-0003
Apr. 22, 2013	(EM)	002224824-0004
Apr. 22, 2013	(EM)	002224824-0005
Apr. 22, 2013	(EM)	002224824-0006
Apr. 22, 2013	(EM)	002224824-0007
Apr. 22, 2013	(EM)	002224824-0008

(51) **LOC (10) Cl.** ..... **12-06**

(52) **U.S. Cl.**  
USPC ..... **D12/220**

(58) **Field of Classification Search**  
USPC ..... D12/219-220; 15/246, 247, 250.001, 15/250.4, 250.361, 250.19, 250.48, 15/250.03, 250.31-250.33, 250.351, 15/250.38, 250.201, 250.451, 250.458, 15/250.04, 250.07, 250.44

See application file for complete search history.

(56) **References Cited**

U.S. PATENT DOCUMENTS

7,451,520	B2 *	11/2008	Weiler et al.	15/250.201
7,461,429	B2 *	12/2008	Huang	15/250.43
D706,704	S *	6/2014	An	D12/219

\* cited by examiner

*Primary Examiner* — Katrina A Betton

(74) *Attorney, Agent, or Firm* — Buchanan Ingersoll & Rooney PC

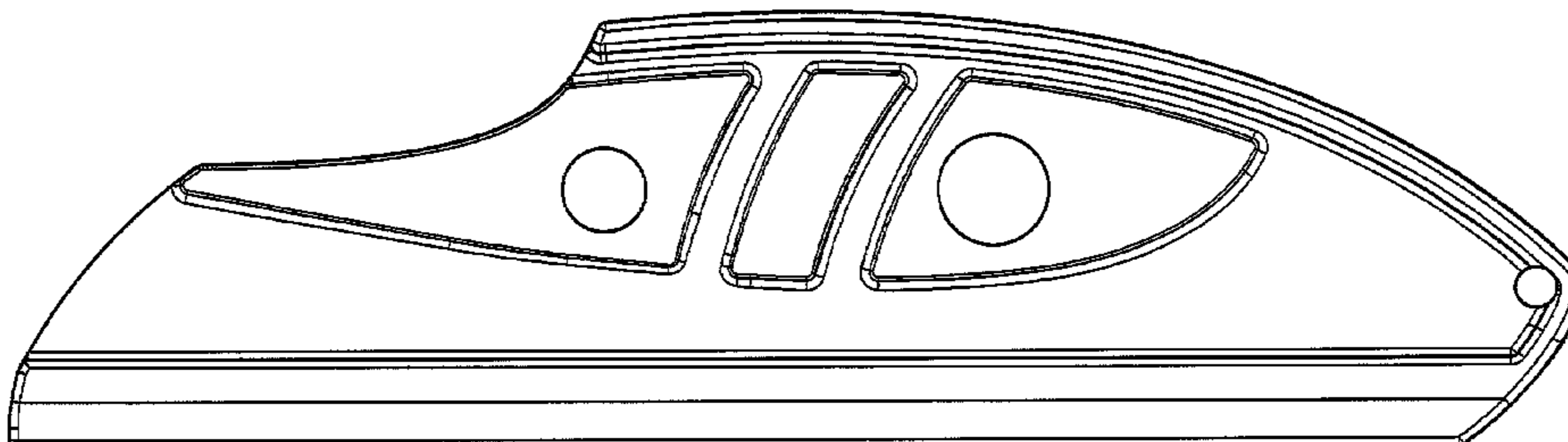
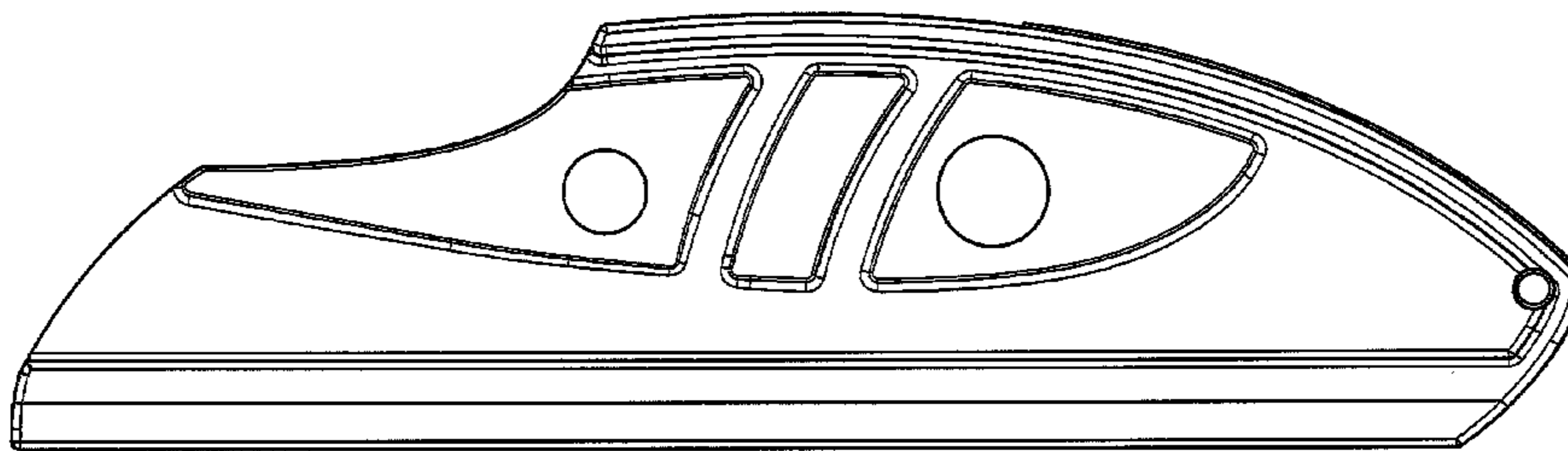
(57) **CLAIM**

The ornamental design for a wiper blade, as shown and described.

**DESCRIPTION**

FIG. 1 is a perspective view of a wiper blade showing a first embodiment of my new design.  
 FIG. 2 is a bottom view thereof.  
 FIG. 3 is a rear view thereof.  
 FIG. 4 is a right side view thereof.  
 FIG. 5 is a front view thereof.  
 FIG. 6 is a left side view thereof.  
 FIG. 7 is a top view thereof.  
 FIG. 8 is a perspective view of a wiper blade showing a second embodiment of my new design.  
 FIG. 9 is a bottom view thereof.  
 FIG. 10 is a rear view thereof.  
 FIG. 11 is a right side view thereof.  
 FIG. 12 is a front view thereof.  
 FIG. 13 is a left side view thereof; and,  
 FIG. 14 is a top view thereof.

**1 Claim, 14 Drawing Sheets**



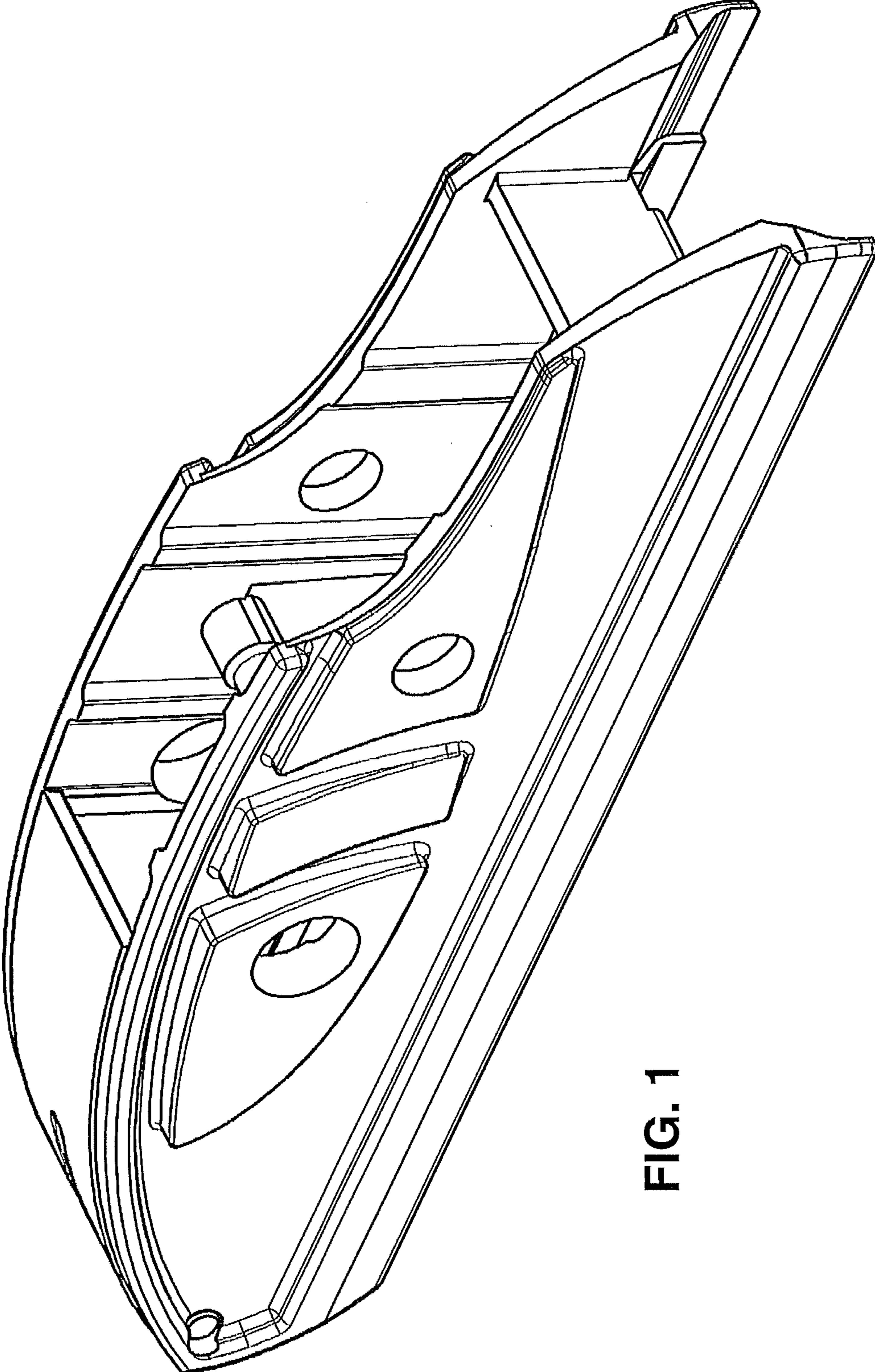


FIG. 1

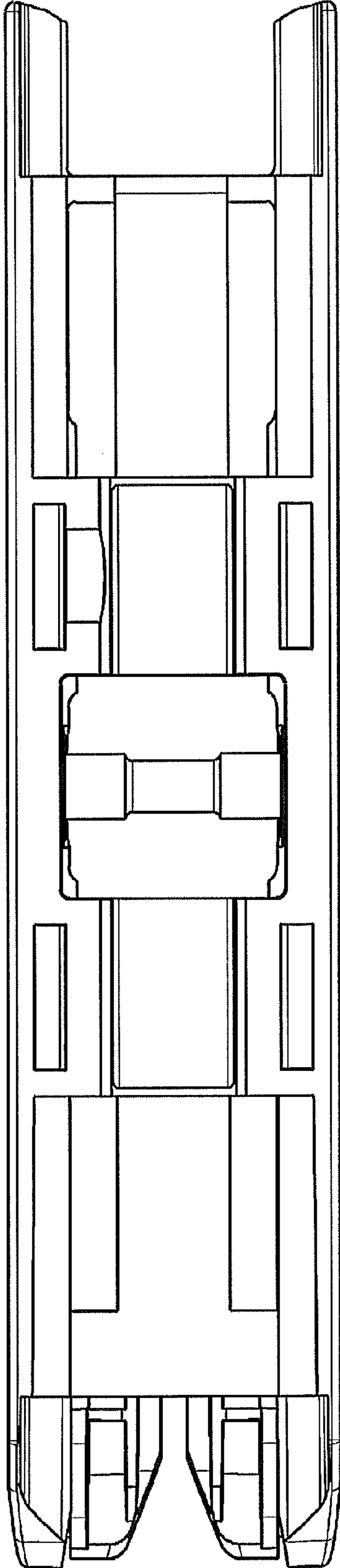


FIG. 2

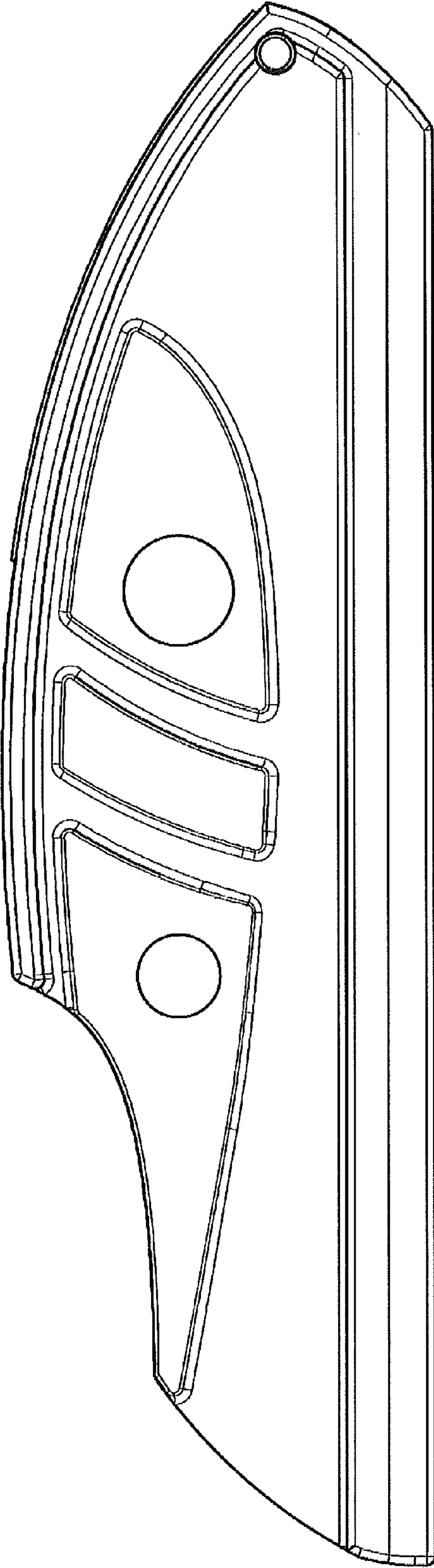


FIG. 3

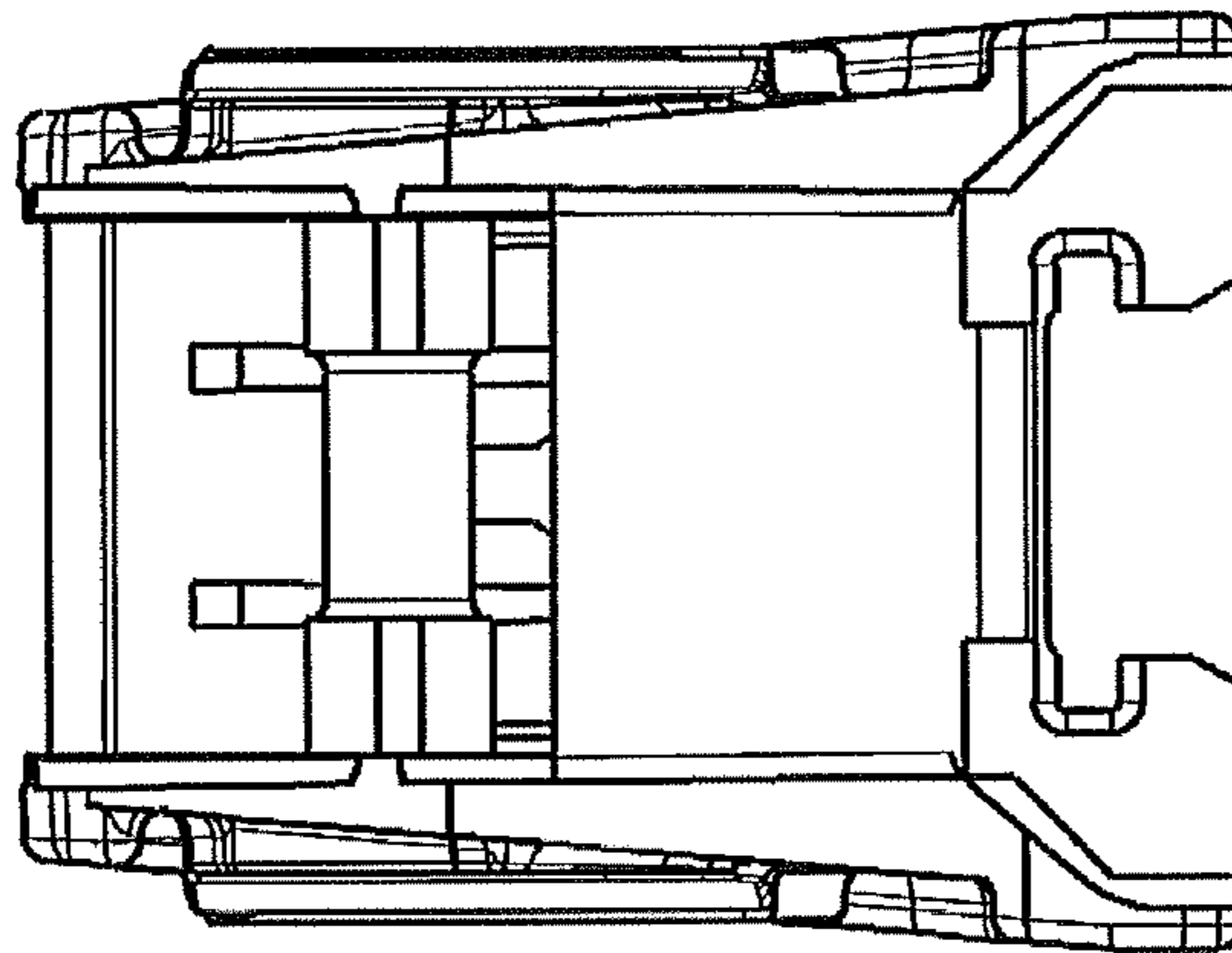


FIG. 4

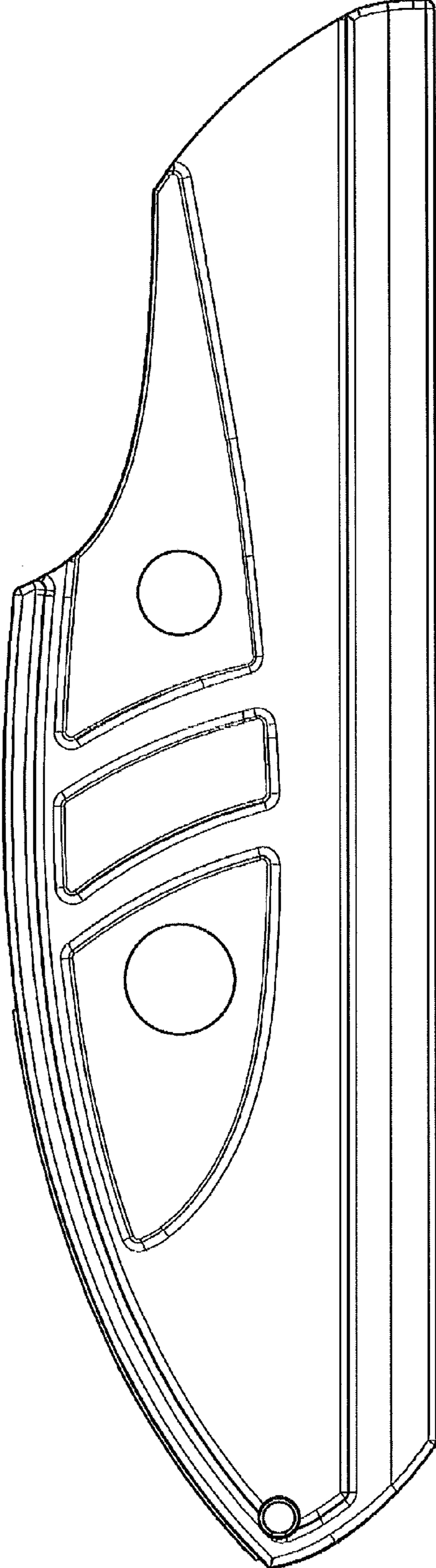


FIG. 5

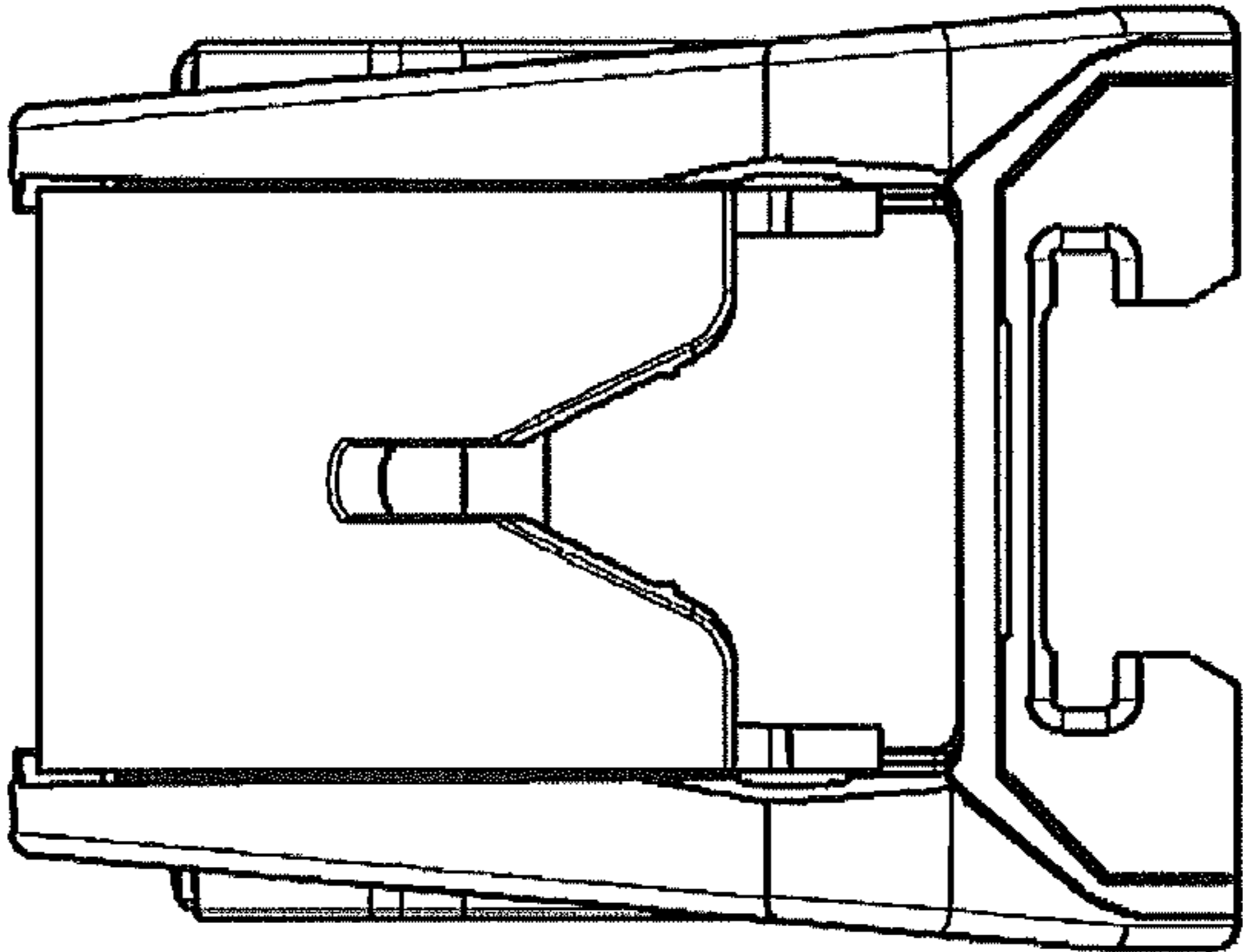


FIG. 6

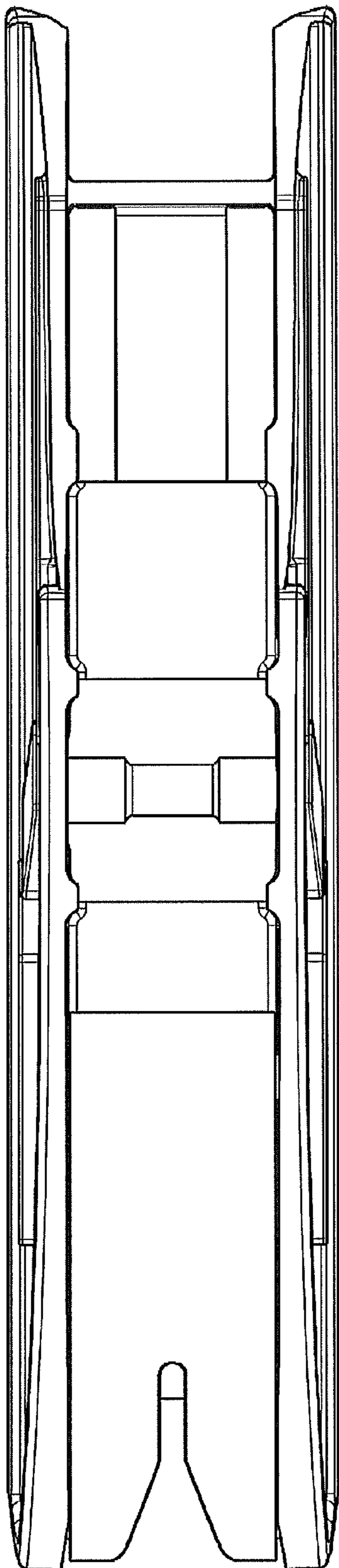


FIG. 7



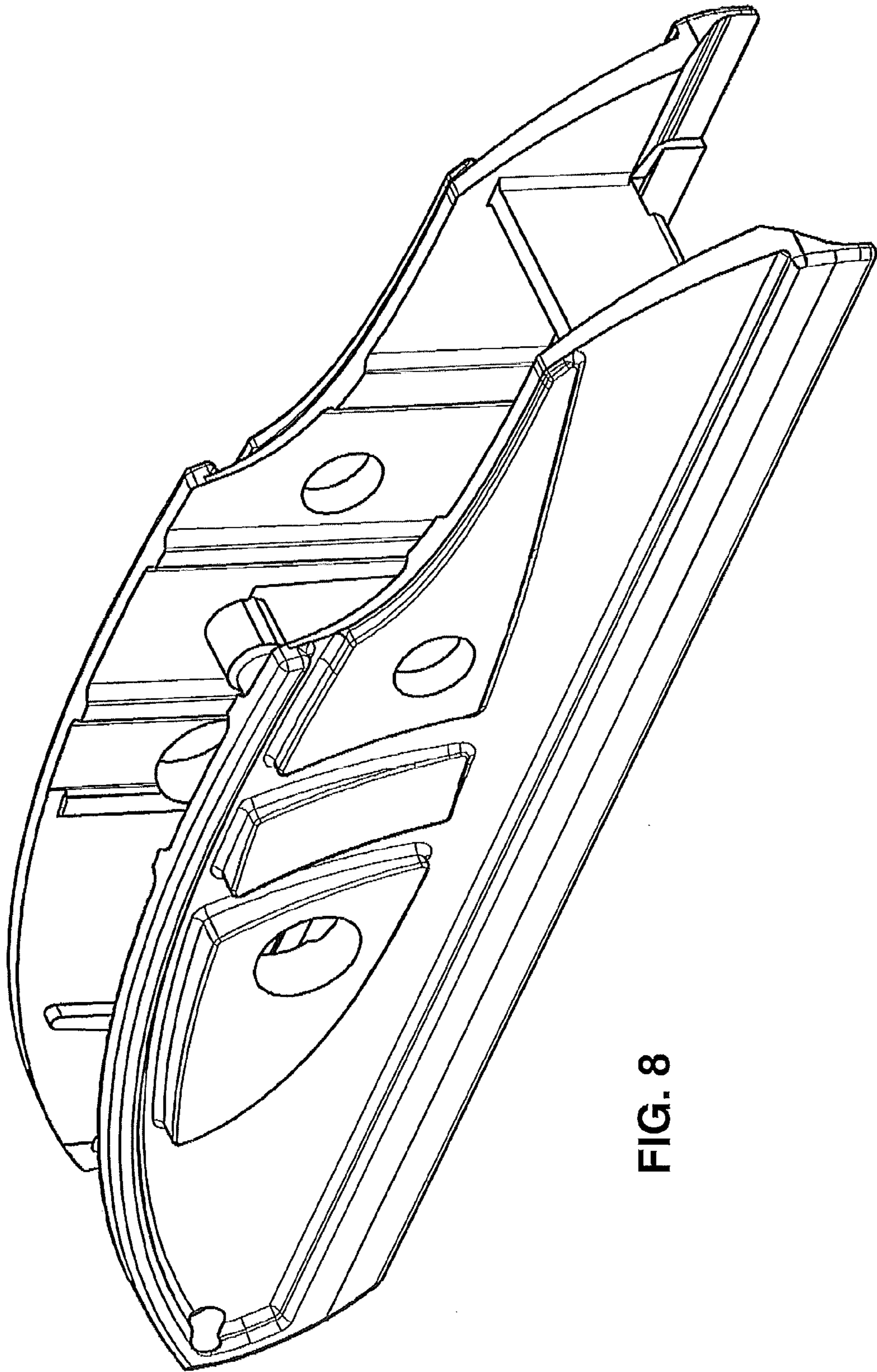


FIG. 8

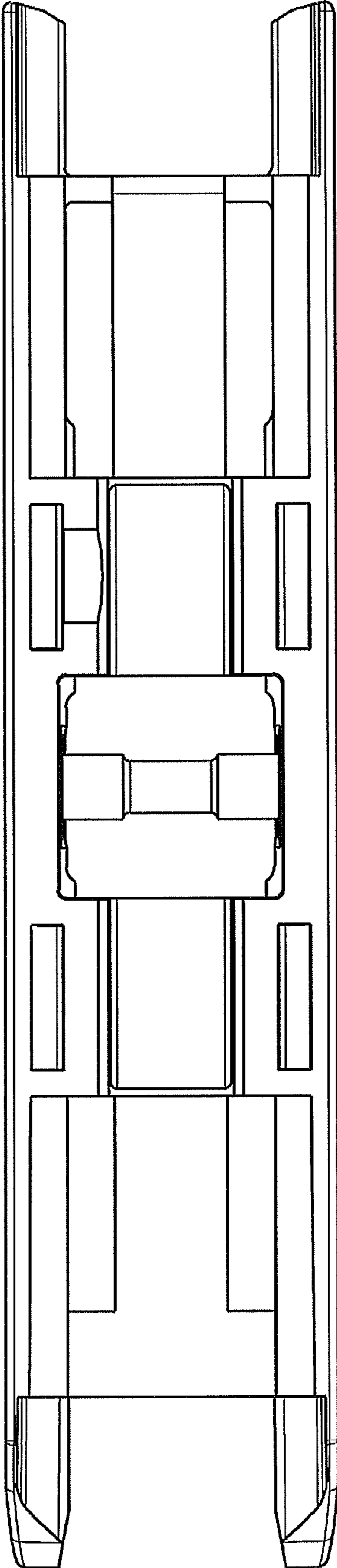


FIG. 9

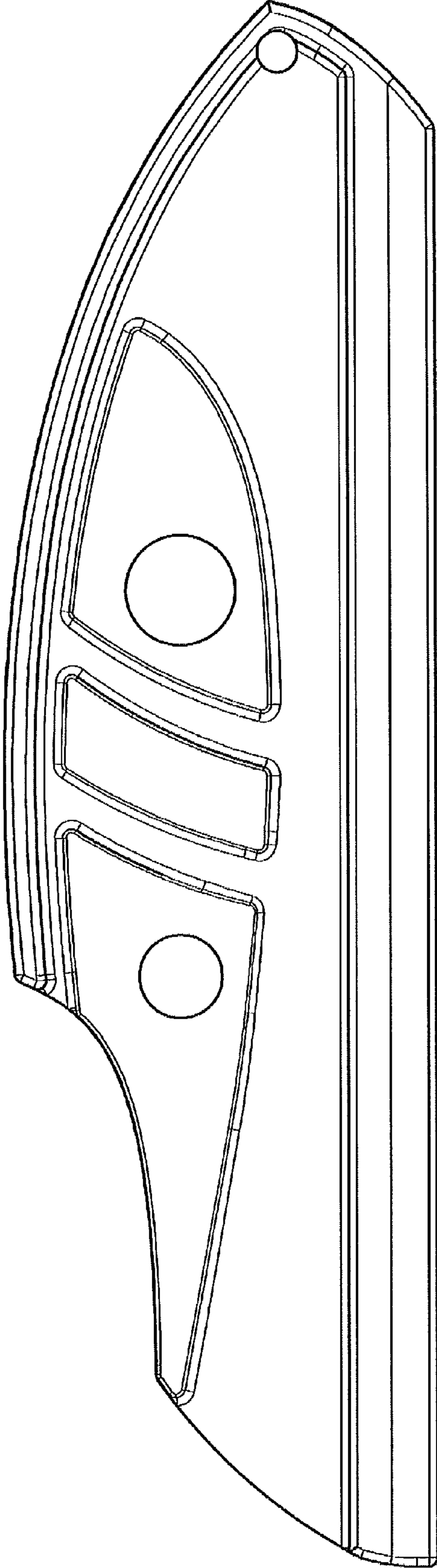


FIG. 10

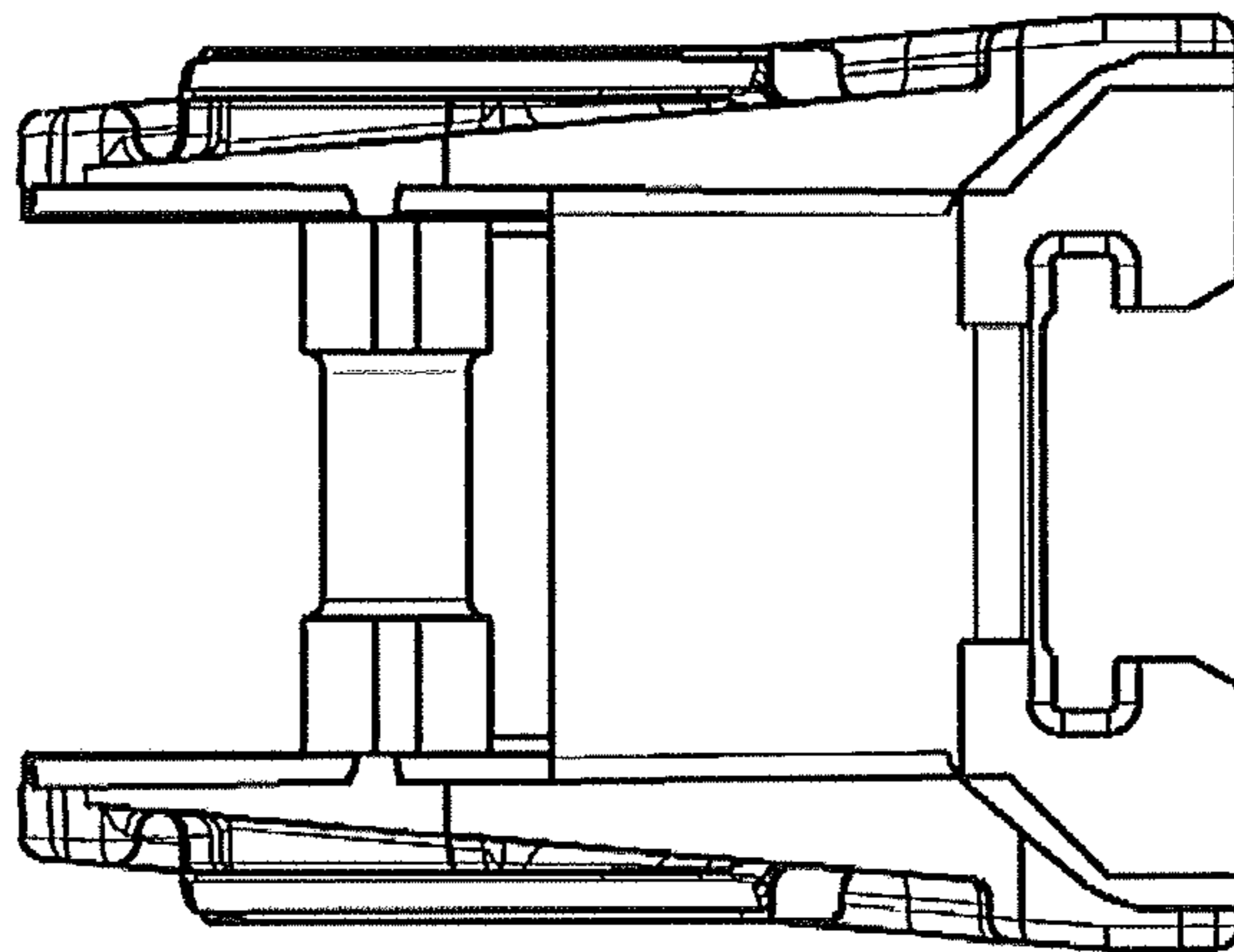


FIG. 11

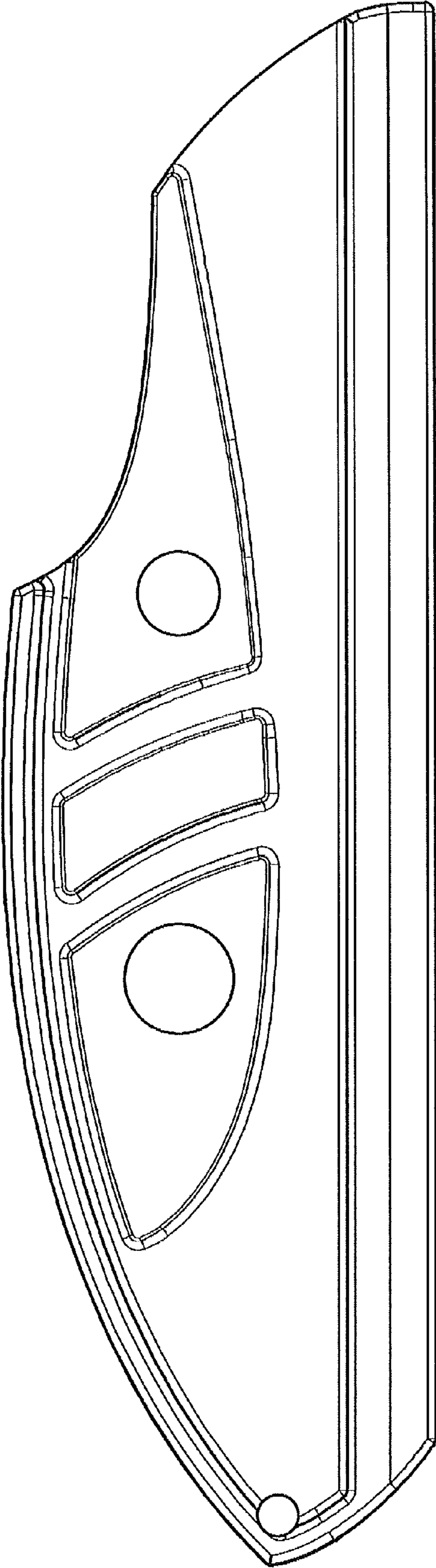


FIG. 12

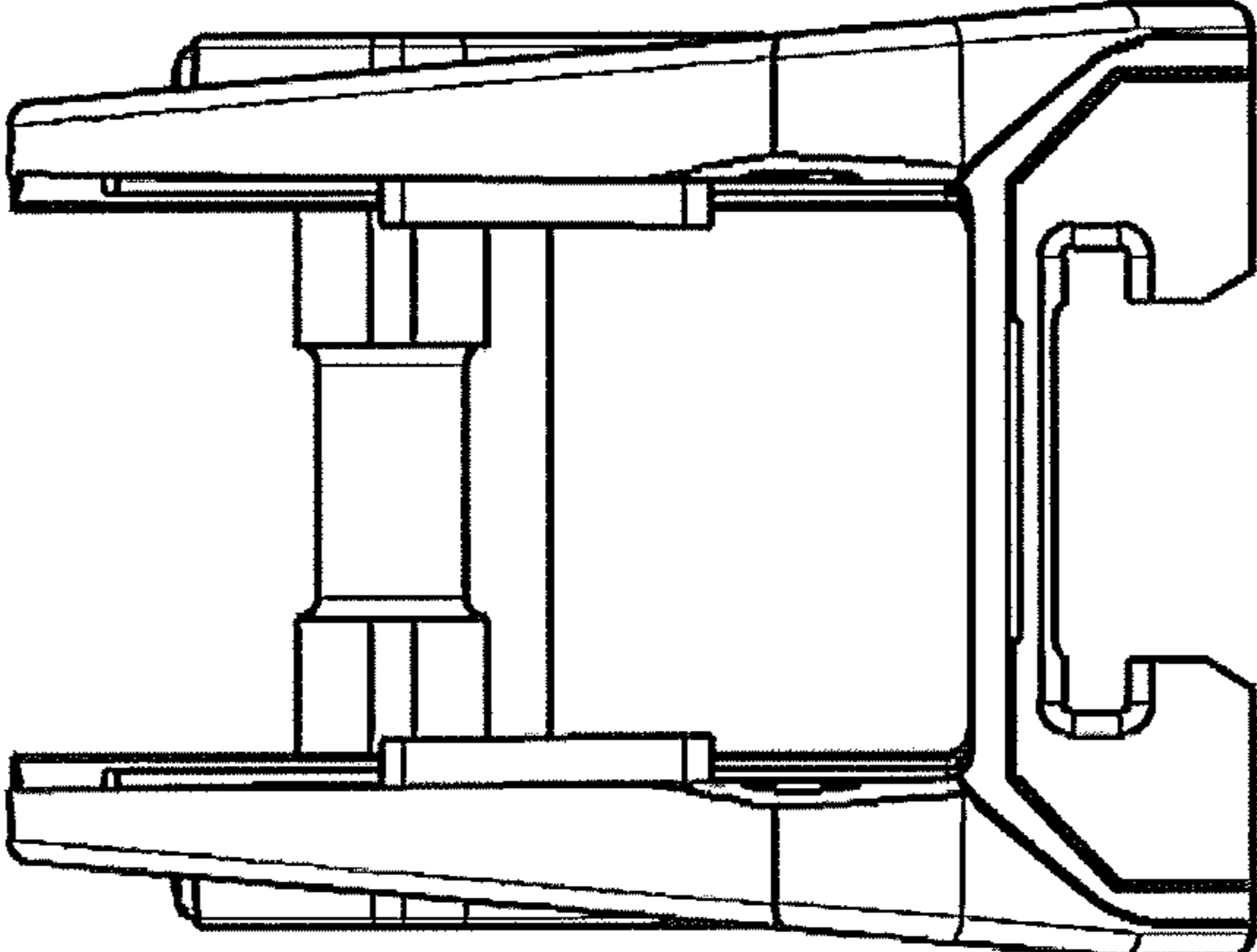


FIG. 13

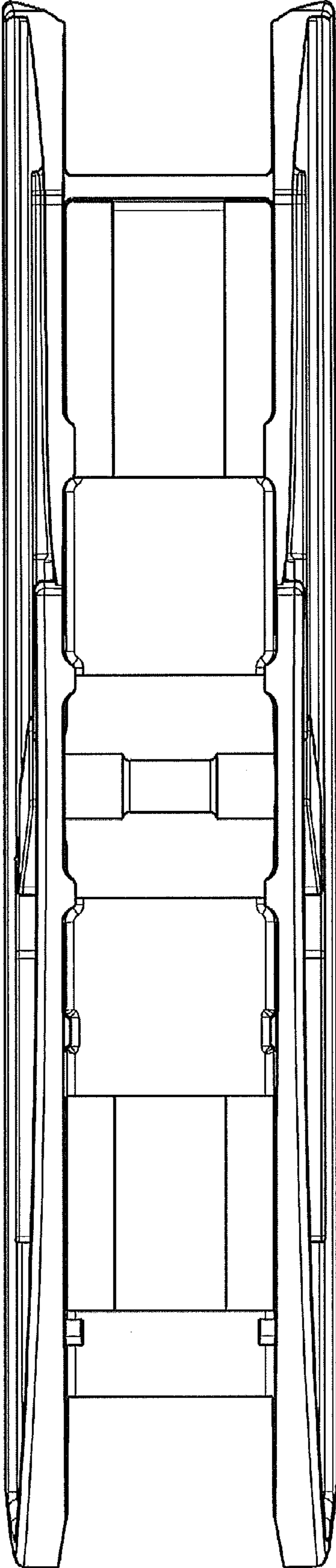


FIG. 14