



US00D725020S

(12) **United States Design Patent**  
**Kim**

(10) **Patent No.:** **US D725,020 S**  
(45) **Date of Patent:** **\*\* Mar. 24, 2015**

(54) **VEHICLE WHEEL**

(71) Applicant: **DzineSquare, Inc.**, Yorba Linda, CA (US)

(72) Inventor: **Young Ha Kim**, Yorba Linda, CA (US)

(73) Assignee: **DzineSquare, Inc.**, La Mirada, CA (US)

(\*\*) Term: **14 Years**

(21) Appl. No.: **29/497,284**

(22) Filed: **Jul. 23, 2014**

(51) **LOC (10) Cl.** ..... **12-16**

(52) **U.S. Cl.**  
USPC ..... **D12/211**

(58) **Field of Classification Search**  
CPC ..... B60B 7/00; B60B 7/02; B60B 7/04;  
B60B 7/01; B60B 7/06; B60B 3/02; B60B 3/04;  
B60B 3/06; B60B 3/10; B60B 1/00; B60B 1/08;  
B60B 1/10; B60B 1/12  
USPC ..... D12/204–213  
See application file for complete search history.

(56) **References Cited**

**U.S. PATENT DOCUMENTS**

D439,212 S	*	3/2001	Neeper	.....	D12/211
D460,036 S	*	7/2002	Yajima	.....	D12/211
D466,068 S	*	11/2002	Maifrini	.....	D12/211
D473,837 S	*	4/2003	Vian	.....	D12/211

D480,038 S	*	9/2003	Oh	.....	D12/211
D500,727 S	*	1/2005	Thompson	.....	D12/211
D515,492 S	*	2/2006	Fitzgerald	.....	D12/211
D540,733 S	*	4/2007	Castiglione	.....	D12/211
D572,185 S	*	7/2008	Pollmann	.....	D12/211
D603,778 S	*	11/2009	Chung	.....	D12/211
D628,135 S	*	11/2010	Zhao	.....	D12/211
D638,767 S	*	5/2011	Groom	.....	D12/211
D639,220 S	*	6/2011	Zhao	.....	D12/209
D703,601 S	*	4/2014	Chung	.....	D12/211

\* cited by examiner

*Primary Examiner* — Stacia Cadmus

(74) *Attorney, Agent, or Firm* — Lance M. Pritikin

(57) **CLAIM**

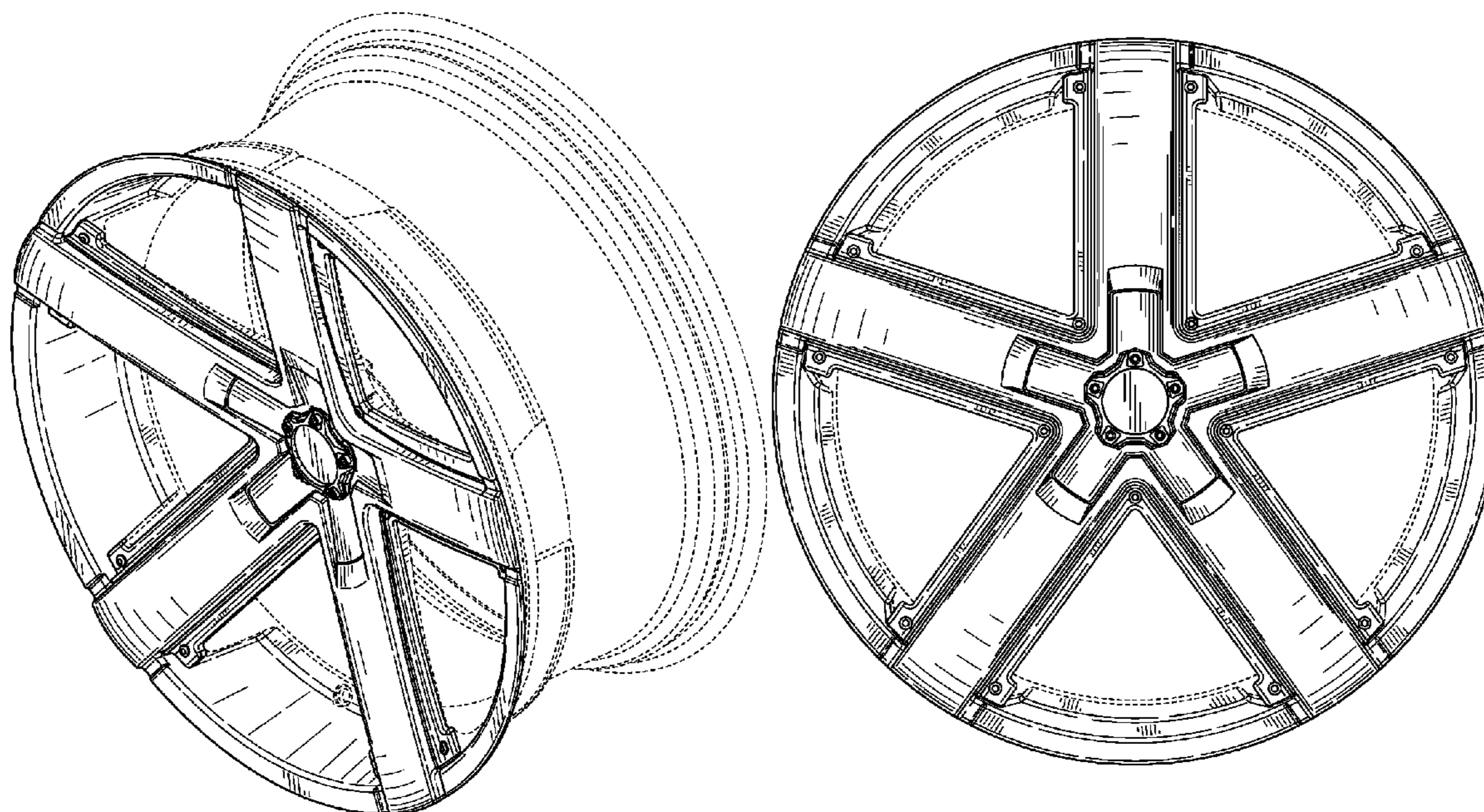
The ornamental design for a vehicle wheel, as shown and described.

**DESCRIPTION**

FIG. 1 is a front perspective view of the vehicle wheel, showing my new design;  
FIG. 2 is a front view thereof;  
FIG. 3 is a rear view thereof;  
FIG. 4 is a right side view thereof with a left side view being a mirror image;  
FIG. 5 is a top view thereof;  
FIG. 6 is a bottom view thereof; and,  
FIG. 7 is a rear perspective view thereof.

The broken lines are included for illustrative purposes only and form no part of the claimed design.

**1 Claim, 6 Drawing Sheets**



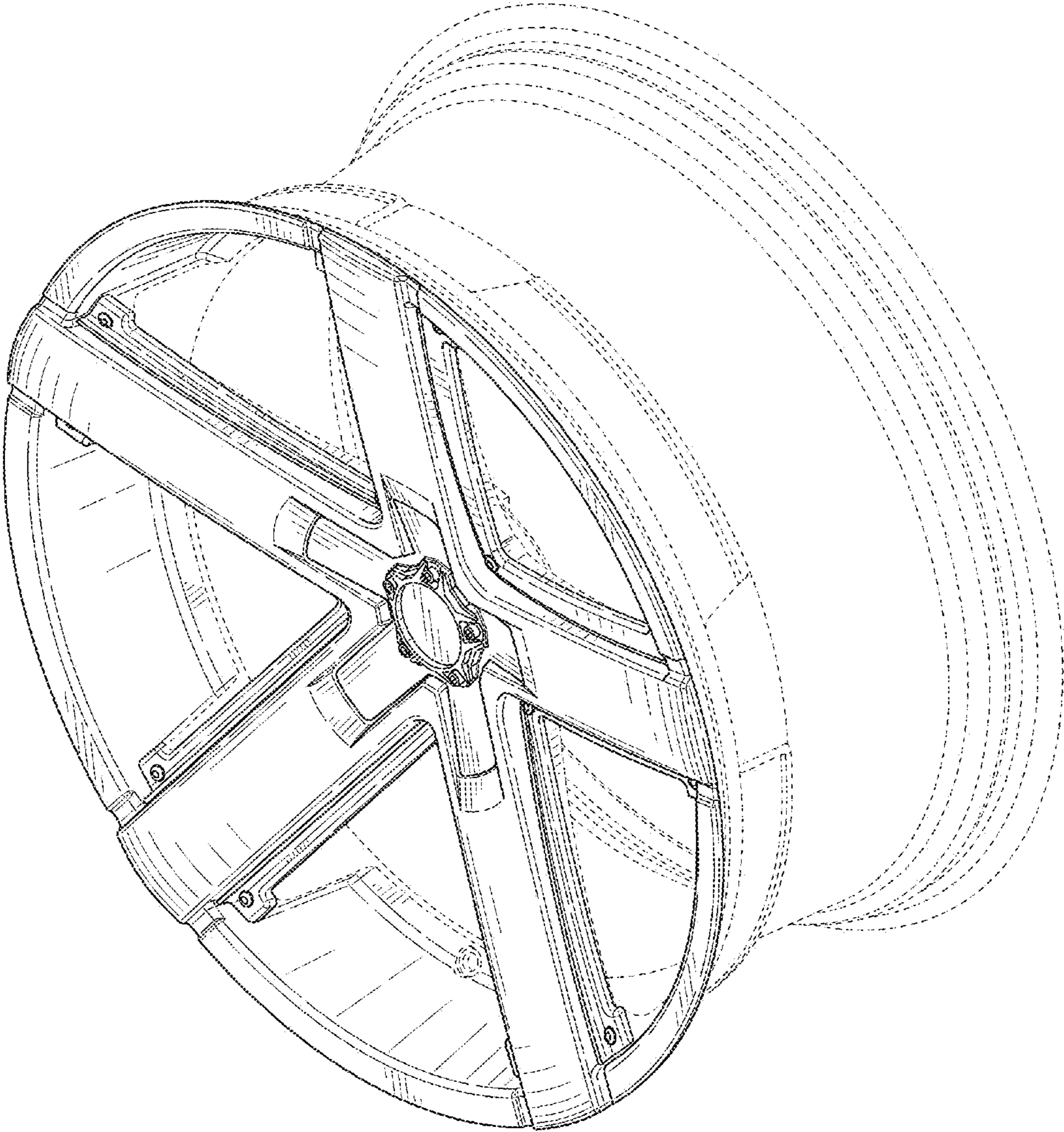


FIG. 1

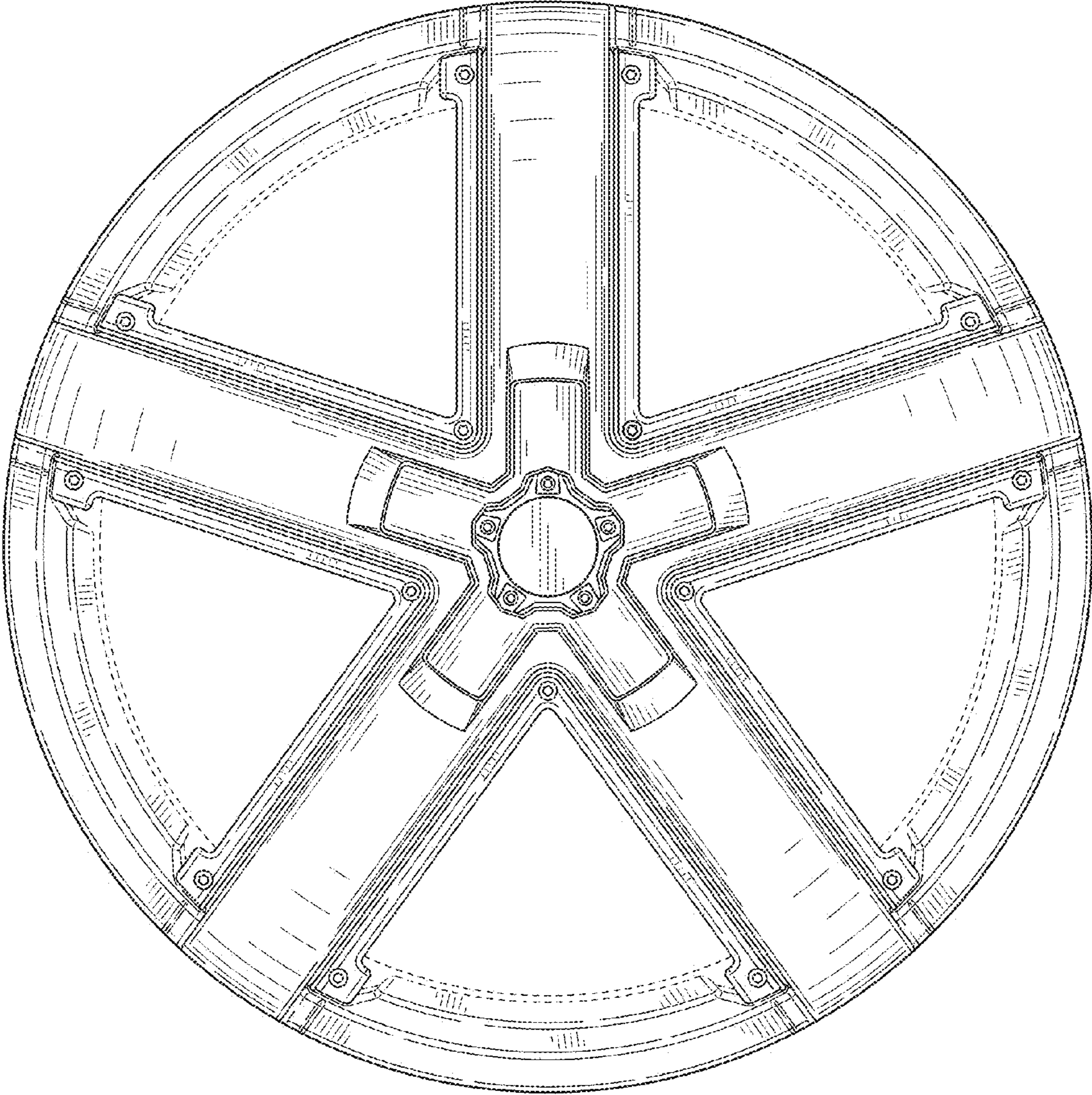


FIG. 2

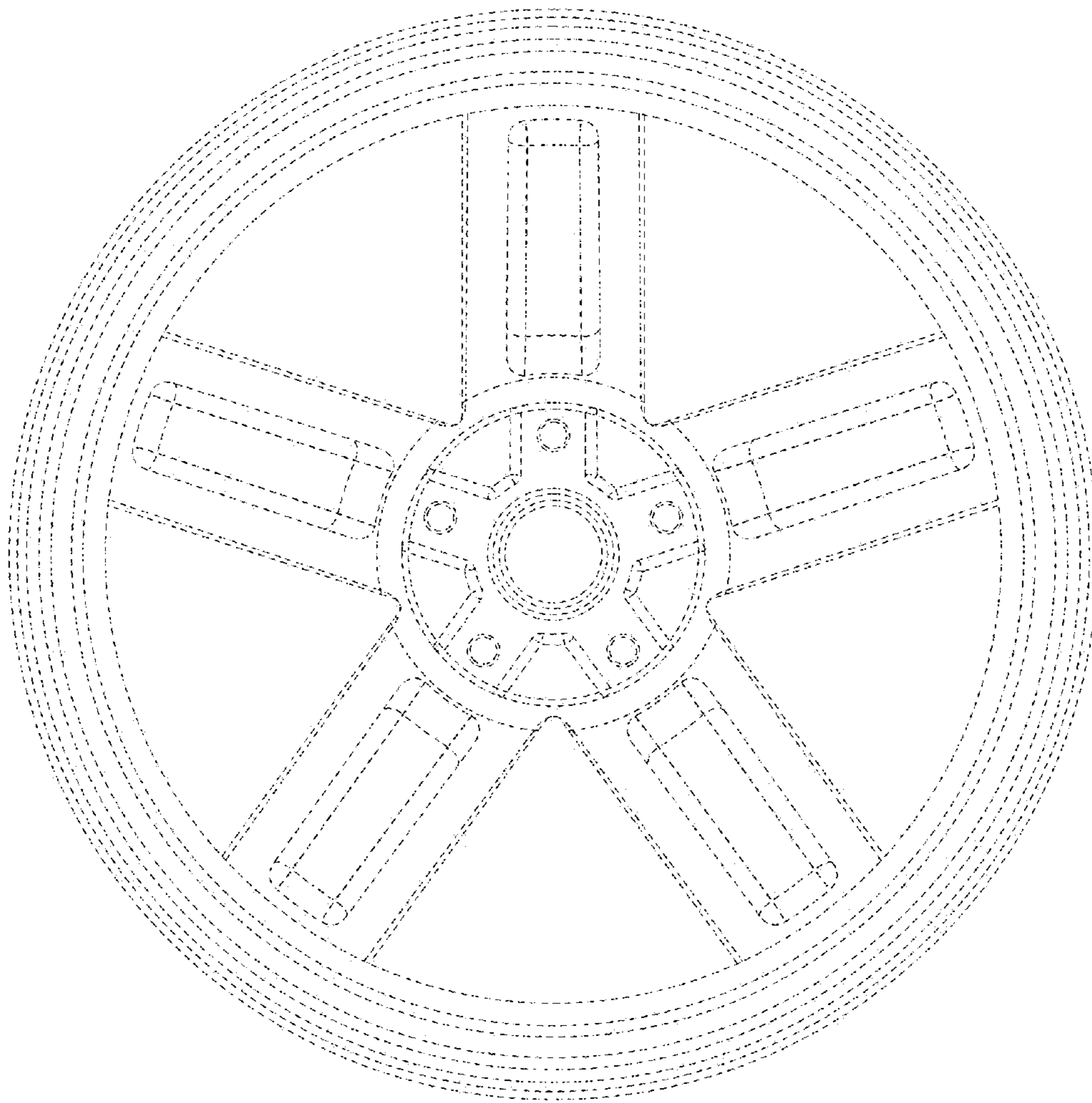


FIG. 3

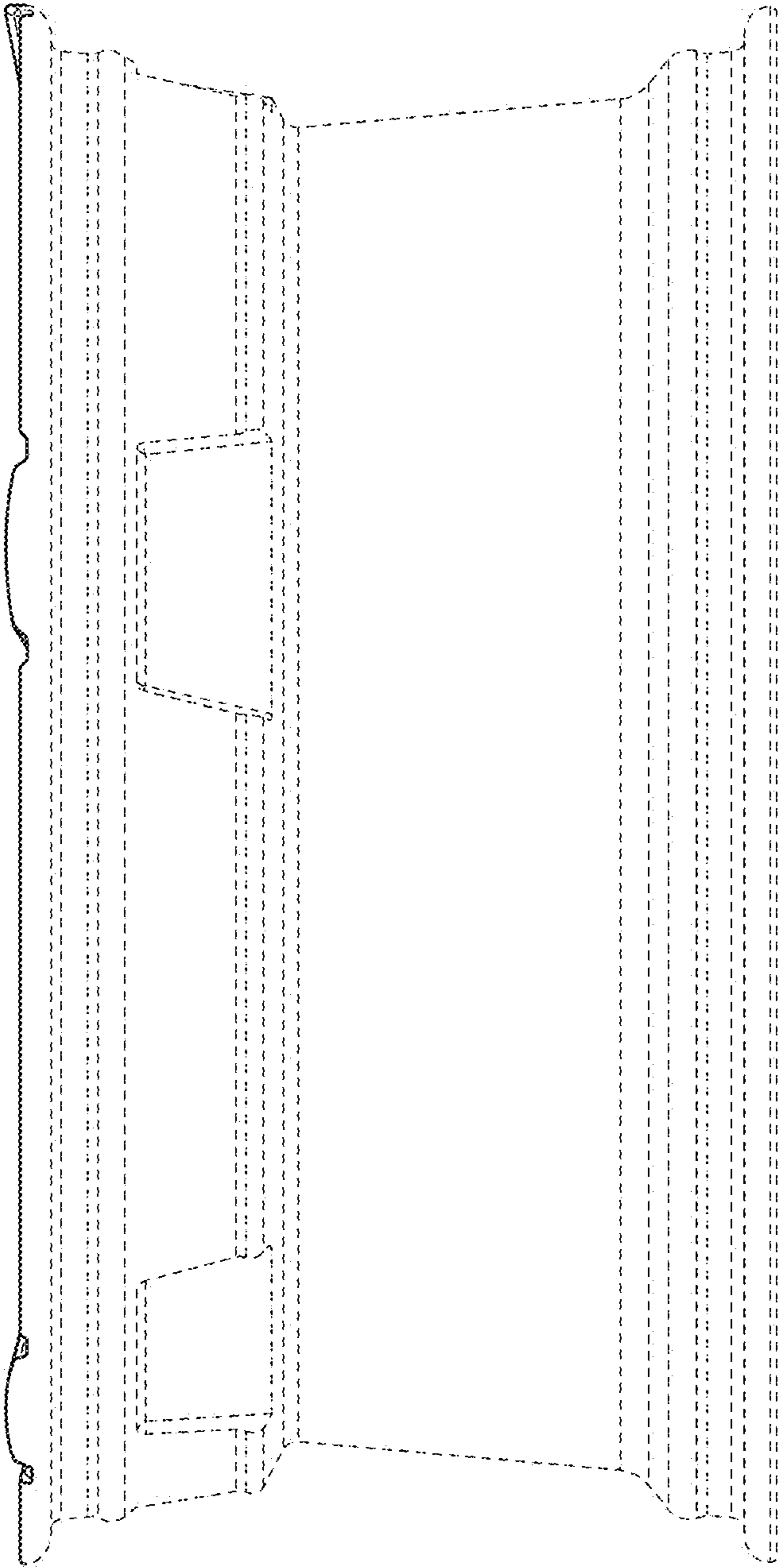


FIG. 4

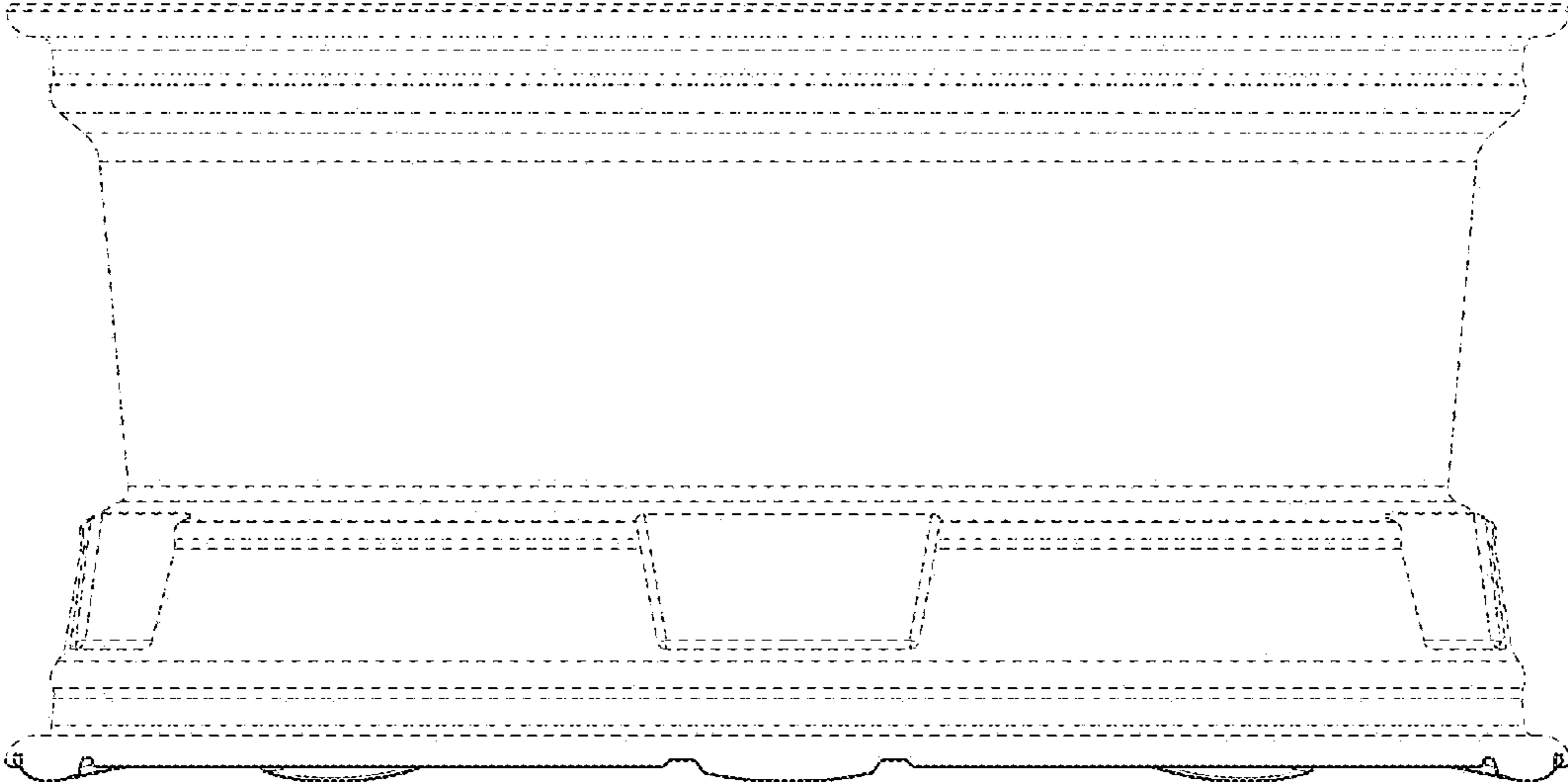


FIG. 5

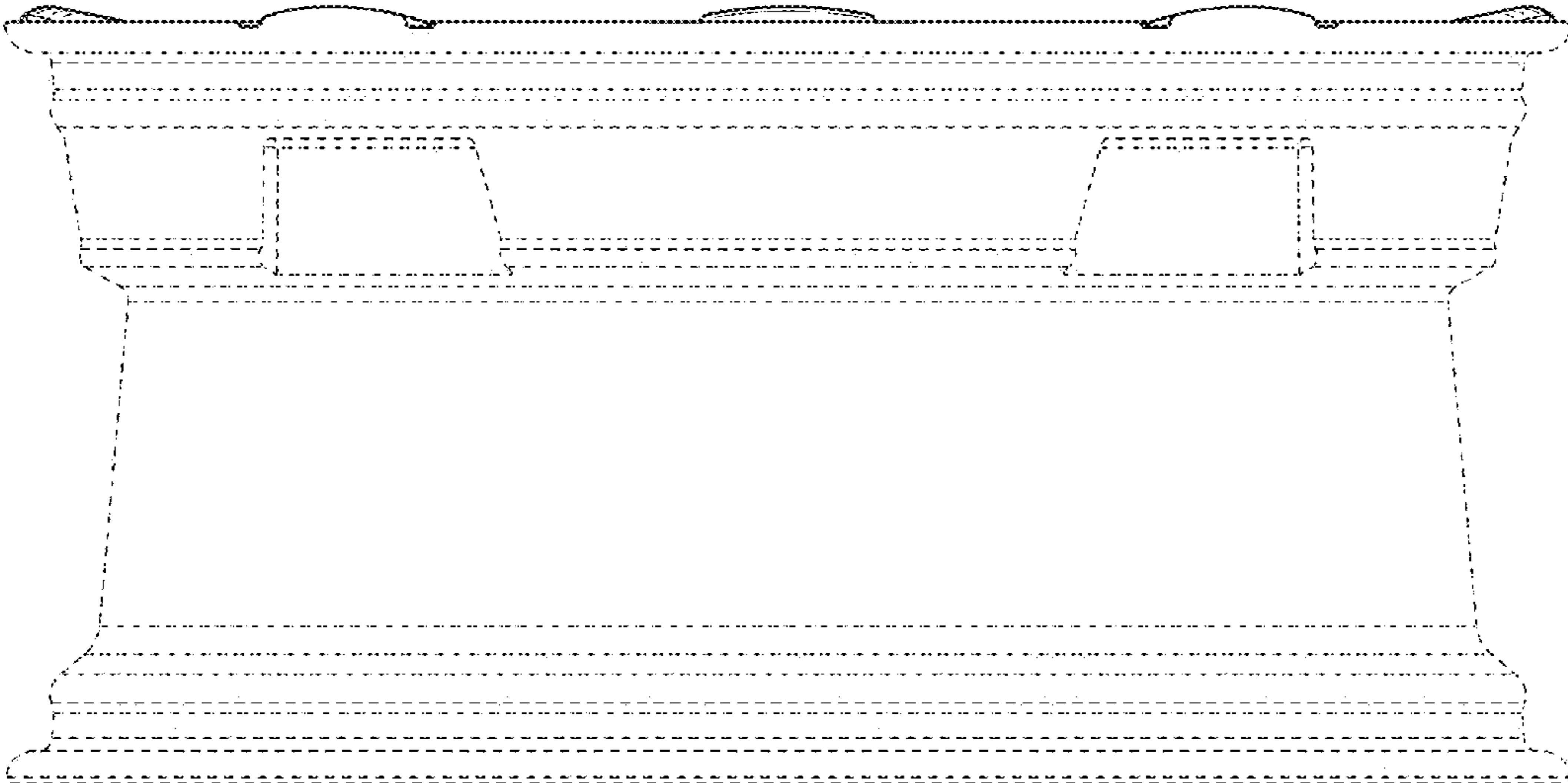


FIG. 6

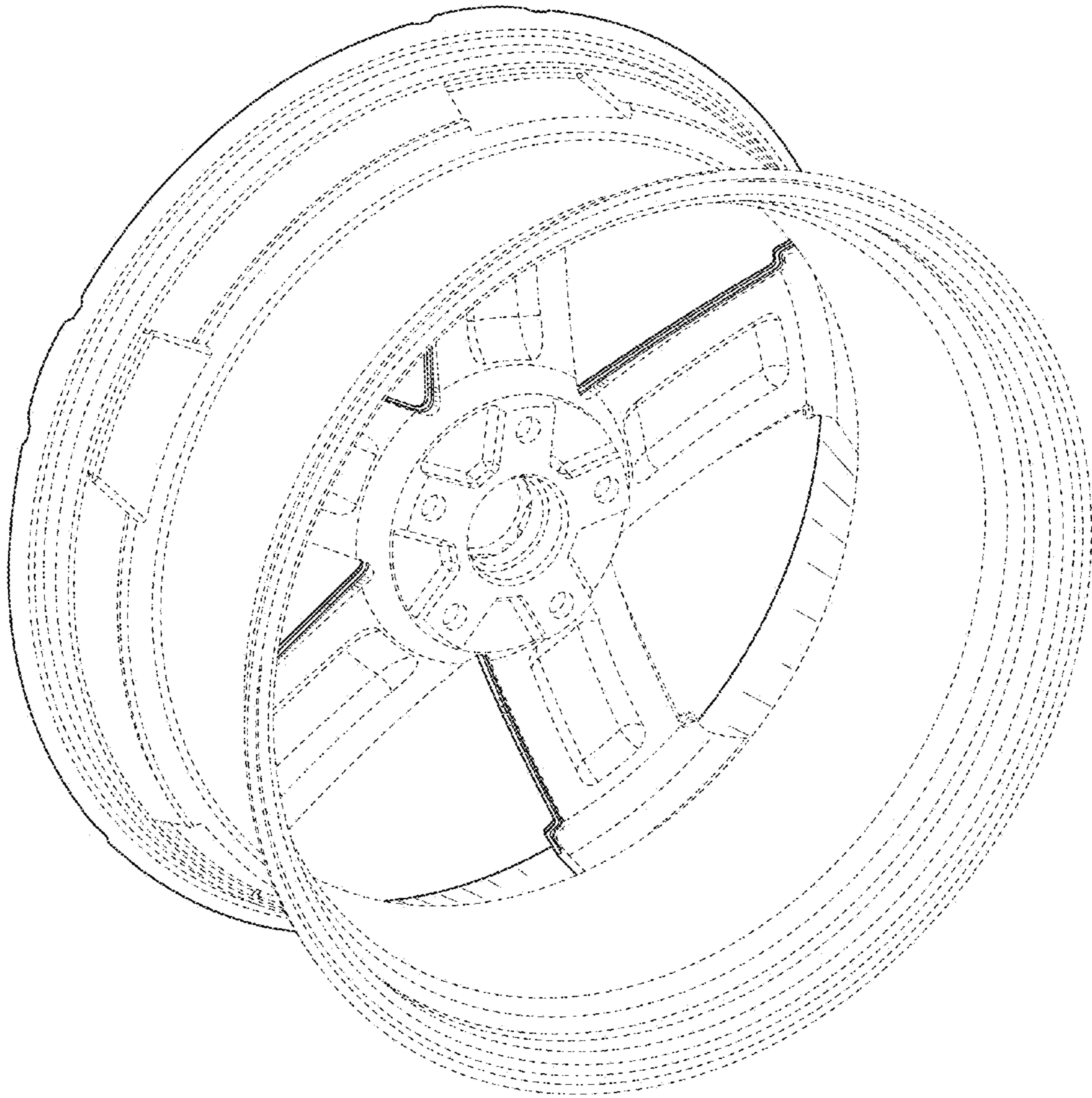


FIG. 7